



US00D800848S

(12) **United States Design Patent** (10) **Patent No.:** **US D800,848 S**  
**Janke** (45) **Date of Patent:** **\*\* Oct. 24, 2017**

(54) **MALE DOLL**  
(71) Applicant: **Judy Janke**, Farmington, MN (US)  
(72) Inventor: **Judy Janke**, Farmington, MN (US)  
(\*\*) Term: **15 Years**  
(21) Appl. No.: **29/559,134**

D671,602 S \* 11/2012 Bradford ..... D21/621  
2011/0014842 A1 1/2011 Rappaport-Rowan  
2011/0117809 A1\* 5/2011 Bowar ..... A63H 3/005  
446/369  
2011/0130069 A1\* 6/2011 Rollin ..... A63H 3/28  
446/297  
2011/0159777 A1\* 6/2011 Han ..... A63H 3/04  
446/390  
2015/0161897 A1\* 6/2015 Santoro ..... G09B 1/38  
434/236

(22) Filed: **Mar. 24, 2016**  
(51) **LOC (10) Cl.** ..... **21-01**  
(52) **U.S. Cl.**  
USPC ..... **D21/621**  
(58) **Field of Classification Search**  
USPC ..... D21/621, 623, 624, 625, 628, 630, 631,  
D21/633, 640, 643-649, 659; 446/268,  
446/360, 361, 376, 379, 382-384  
CPC ..... A63H 3/00-3/31  
See application file for complete search history.

**FOREIGN PATENT DOCUMENTS**

WO WO2015002511 8/2015

\* cited by examiner

*Primary Examiner* — Zenia Bennett

(57) **CLAIM**

The ornamental design for a male doll, as shown and described.

**DESCRIPTION**

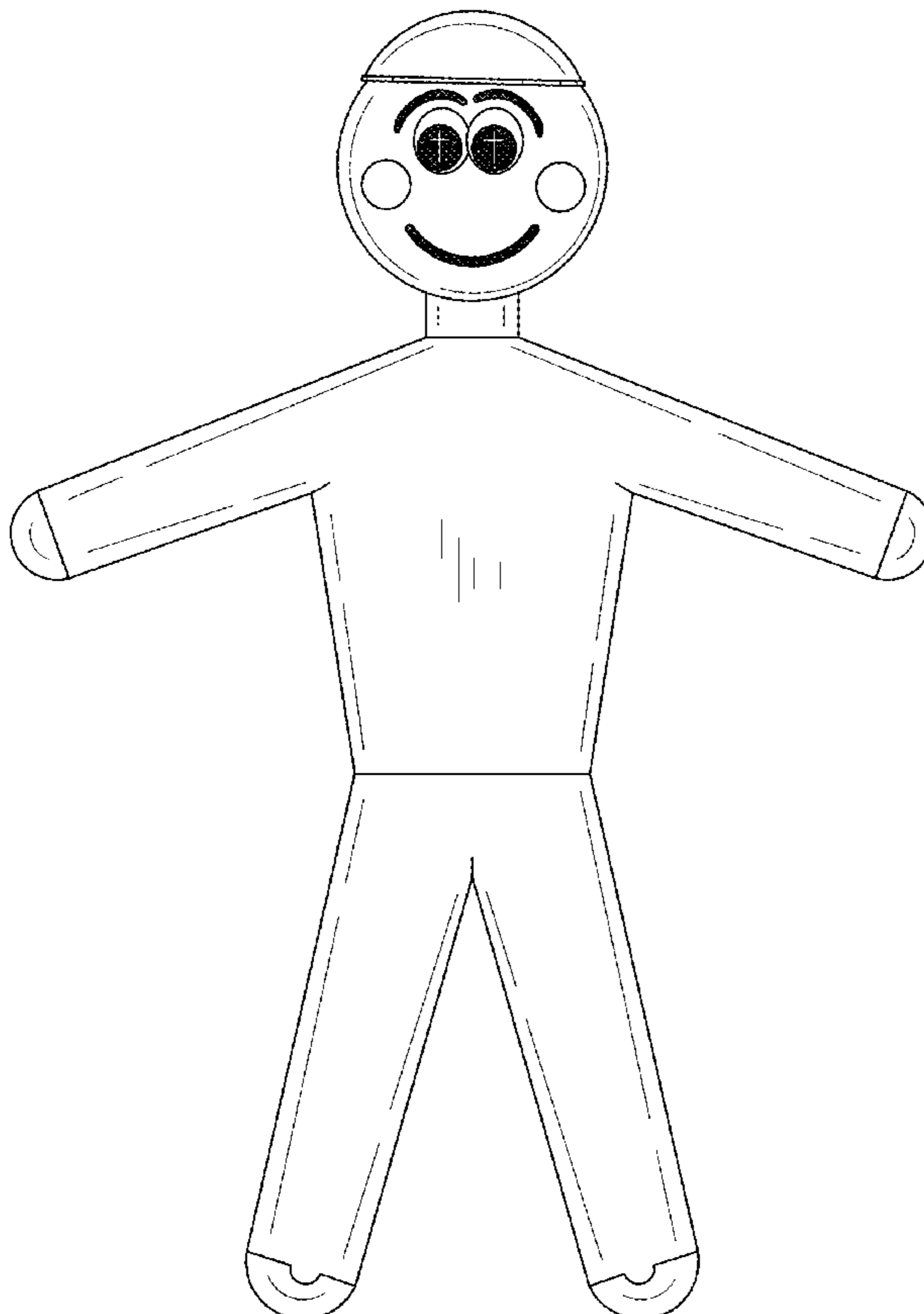
FIG. 1 is a front view of a male doll showing my new design; FIG. 2 is a rear view of the male doll; FIG. 3 is a side view of the male doll, a right side view being a mirror image thereof; FIG. 4 is a top view of the male doll; and, FIG. 5 is a bottom view of the male doll.

(56) **References Cited**

**U.S. PATENT DOCUMENTS**

3,053,008 A 9/1962 Pelunis  
D320,501 S 10/1991 Marks  
5,405,266 A 4/1995 Frank et al.  
5,470,270 A 11/1995 Beamon, Jr. et al.  
6,547,631 B1 4/2003 Randall  
D647,979 S \* 11/2011 Fromuth ..... D21/621

**1 Claim, 4 Drawing Sheets**



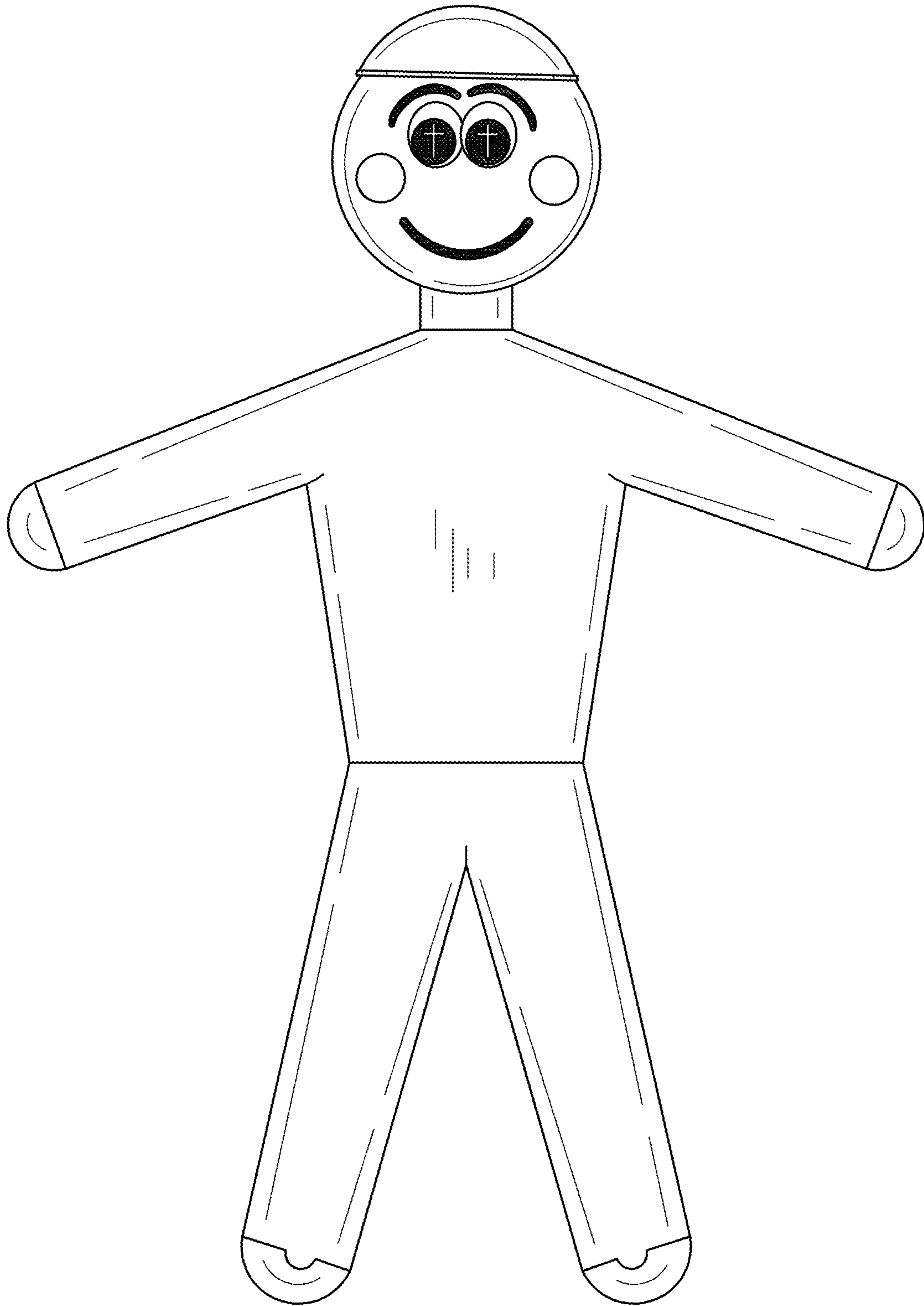


FIG. 1

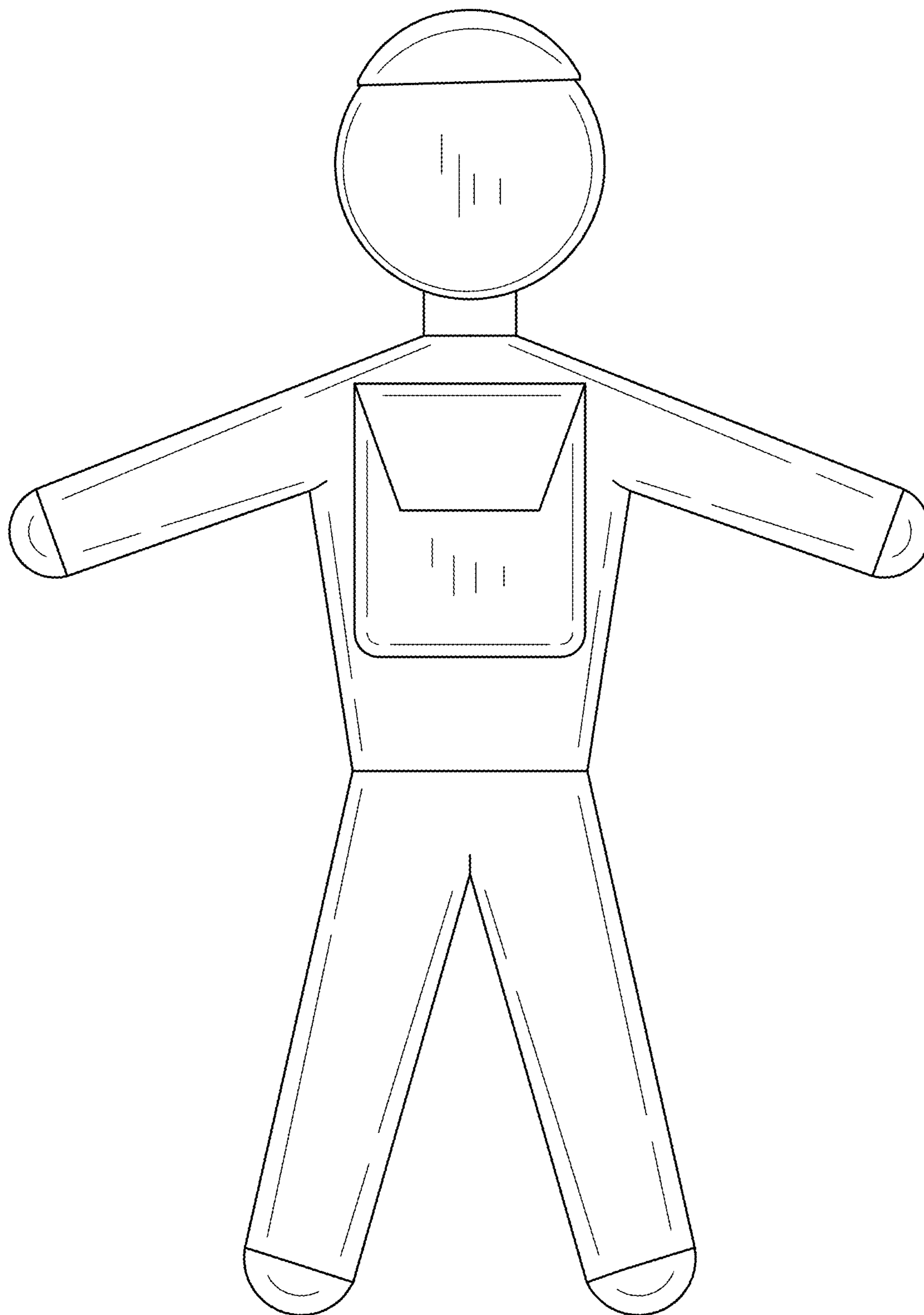


FIG. 2

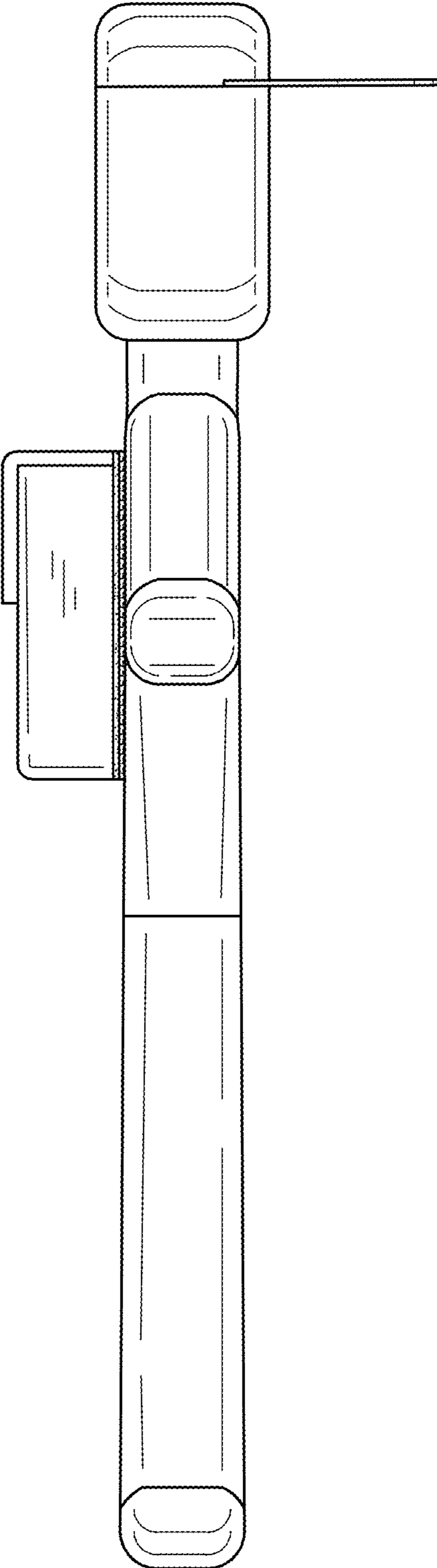


FIG. 3

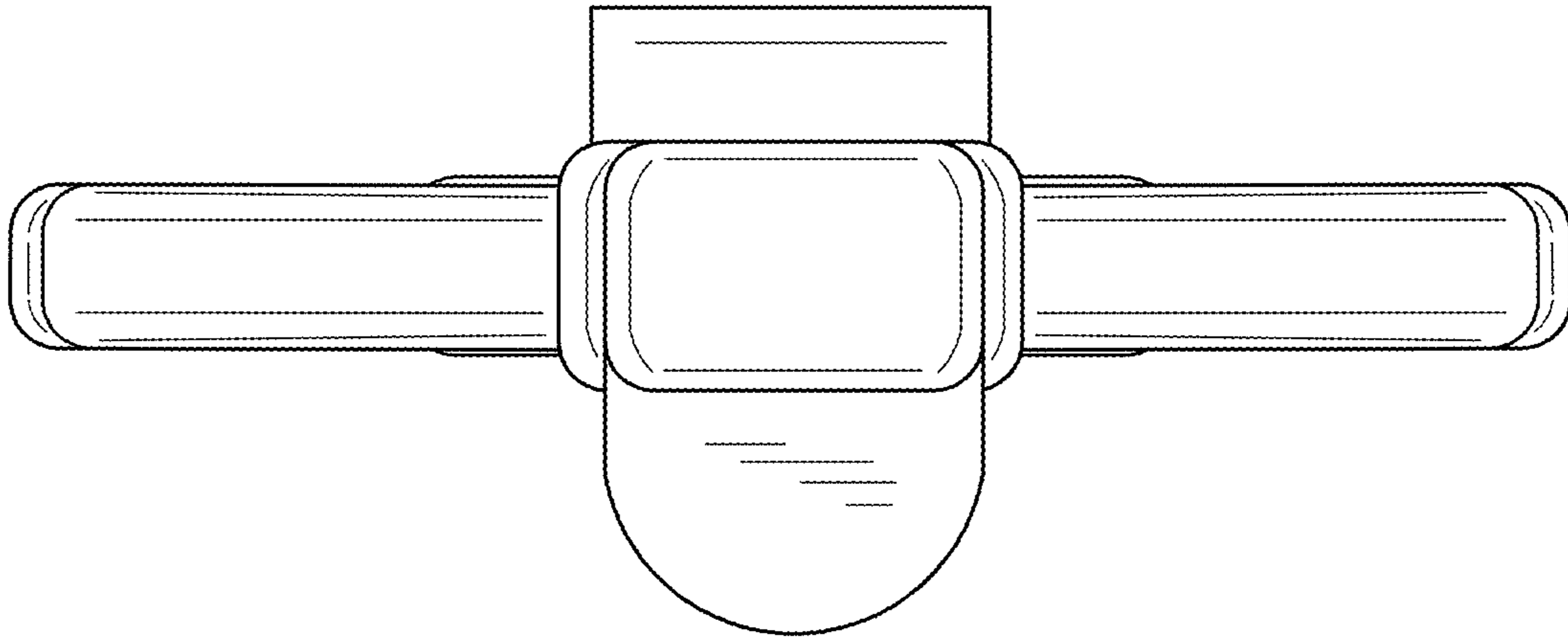


FIG. 4

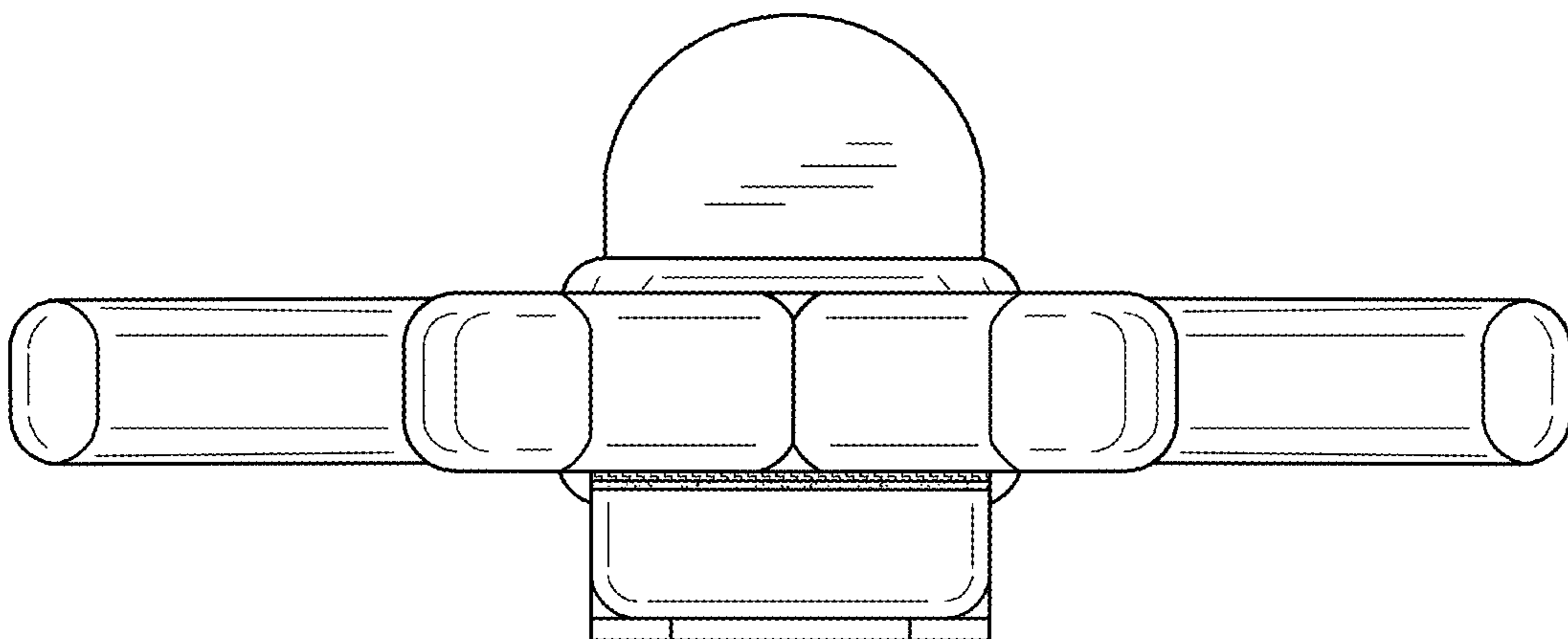


FIG. 5