



US00D800846S

(12) **United States Design Patent** (10) **Patent No.:** **US D800,846 S**
Rosan (45) **Date of Patent:** **** Oct. 24, 2017**

(54) **QUARTER BLOCK FOR MODULAR SYSTEM**

(71) Applicant: **EverBlock Systems, LLC**, New York, NY (US)

(72) Inventor: **Arnon Rosan**, New York, NY (US)

(73) Assignee: **EverBlock Systems, LLC**, New York, NY (US)

(**) Term: **15 Years**

(21) Appl. No.: **29/605,772**

(22) Filed: **May 30, 2017**

Related U.S. Application Data

(62) Division of application No. 29/556,698, filed on Mar. 2, 2016, now Pat. No. Des. 791,885.

(51) **LOC (10) Cl.** **21-01**

(52) **U.S. Cl.**
USPC **D21/500**

(58) **Field of Classification Search**

USPC D21/478, 479, 484, 485-505; 446/69, 446/85, 102-128; 434/208, 259, 403; 273/153, 156, 160; 428/174; D25/113, D25/115, 118
CPC A63H 33/00; A63H 33/04; A63H 33/06; A63H 33/08; A63H 33/10; A63H 33/12; A63H 33/14; A63F 9/0608; A63F 9/12; G09B 1/36

See application file for complete search history.

(56) **References Cited**

U.S. PATENT DOCUMENTS

1,689,107 A 10/1928 Bradley
3,005,282 A 10/1961 Christiansen
D194,083 S 11/1962 Brach
D243,855 S 3/1977 Hynes

D304,042 S 10/1989 Poulsen
D317,482 S 6/1991 Michaelsen
D326,874 S 6/1992 Dideriksen
D331,696 S 12/1992 Graham
5,402,609 A 4/1995 Kelley
D368,939 S 4/1996 Frederiksen
D376,281 S 12/1996 Robertson
D387,431 S * 12/1997 Tremblay D25/113
D391,110 S 2/1998 Graebe

(Continued)

OTHER PUBLICATIONS

I Want That EverBlock: Announced Mar. 9, 2015 [online], site visited May 20, 2016. Available from Internet URL: <https://www.youtube.com/watch?v=ac8s71mO8Q0>.

(Continued)

Primary Examiner — Cynthia M Chin

(74) *Attorney, Agent, or Firm* — Metz Lewis Brodman
Must O'Keefe LLC

(57) **CLAIM**

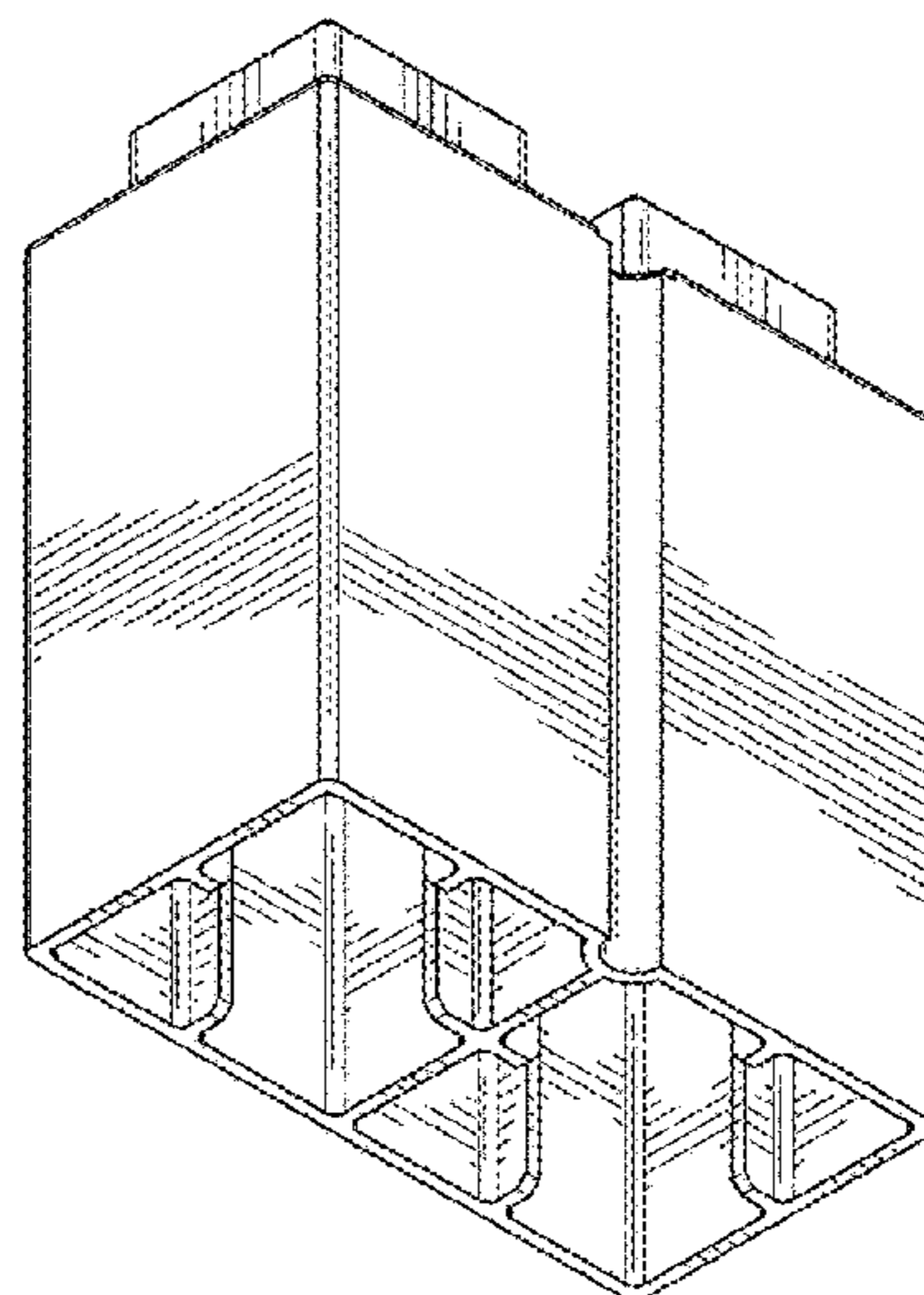
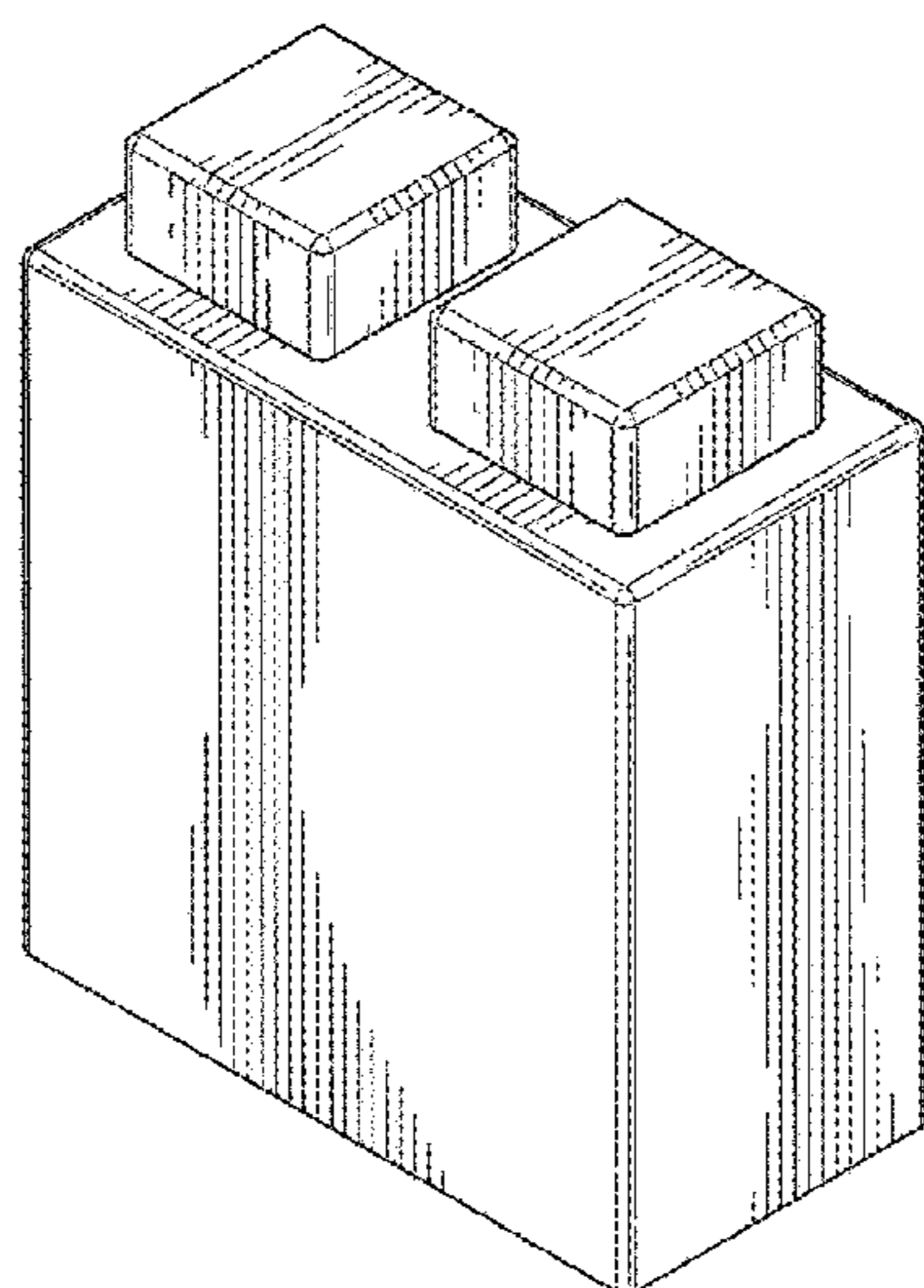
The ornamental design for a quarter block for a modular system, as shown and described.

DESCRIPTION

FIG. 1 is a top perspective view of the quarter block for the modular system;
FIG. 2 is a bottom perspective view of the block of FIG. 1;
FIG. 3 is a left side elevation of the block of FIG. 1;
FIG. 4 is a right side elevation of the block of FIG. 1;
FIG. 5 is front elevation of the block of FIG. 1, with the back elevation being the same;
FIG. 6 is a top plan view of the block of FIG. 1;
FIG. 7 is a bottom plan of the block of FIG. 1; and,
FIG. 8 is a cross-sectional view of the block along line 8-8 from FIG. 6.

The broken lines are for the purpose of illustrating portions of the article that form no part of the claim.

1 Claim, 5 Drawing Sheets



(56)

References Cited

U.S. PATENT DOCUMENTS

5,833,386 A 11/1998 Rosan
 D409,676 S 5/1999 Toft
 5,966,889 A 10/1999 Zinner
 D416,143 S 11/1999 Ragan
 5,987,840 A 11/1999 Leppert
 D426,933 S * 6/2000 Redfern D21/491
 6,200,187 B1 3/2001 Olsen et al.
 D449,170 S 10/2001 Kim
 D457,971 S * 5/2002 Schrader D25/113
 D463,866 S * 10/2002 Jang D21/500
 D468,839 S * 1/2003 Bland D25/113
 D552,190 S 10/2007 Glickman
 D581,553 S 11/2008 Cooper
 D652,952 S * 1/2012 Angel D25/113
 D677,800 S * 3/2013 Cetindag D25/113
 8,413,399 B2 * 4/2013 Kelley, Jr. E02D 29/0225
 405/262
 D686,676 S * 7/2013 Telford D21/486
 D689,954 S 9/2013 Rya
 D695,534 S 12/2013 Matasovi
 D701,973 S 4/2014 Holcomb
 D717,379 S * 11/2014 Deutsch D21/499
 D717,971 S 11/2014 Saunders
 D724,760 S 3/2015 Saunders
 D738,063 S 9/2015 Angel
 9,206,597 B2 12/2015 Marsh
 D746,605 S 1/2016 Matasovic
 D748,415 S 2/2016 DeRoeck
 D749,680 S 2/2016 Lin

D751,153 S 3/2016 Lacroix et al.
 D753,774 S 4/2016 Proulx
 D776,205 S * 1/2017 Facey D21/499
 D783,731 S * 4/2017 Rosan D21/486
 D786,586 S 5/2017 Rosan
 2010/0252788 A1 10/2010 Wickwire
 2011/0225909 A1 9/2011 Rodriguez Carassus

OTHER PUBLICATIONS

Modular Plastic Blocks: Announced Jun. 18, 2015 [online], site visited May 20, 2017. Available from Internet URL: <http://www.everblocksystems.com/>.
 United States Patent and Trademark Office; Office Action; Office Action from U.S. Appl. No. 29/556,690; pp. 1-22; publisher United States Patent and Trademark Office; published Alexandria, Virginia, USA; copyright and dated Jun. 2, 2017; (22 pages).
 United States Patent and Trademark Office; Notice of Allowance/Notice of Allowability; Notice of Allowance/Notice of Allowability from U.S. Appl. No. 29/556,669; pp. 1-9; publisher United States Patent and Trademark Office; published Alexandria, Virginia, USA; copyright and dated Jan. 12, 2017; (9 pages).
 United States Patent and Trademark Office; Office Action; Office Action from U.S. Appl. No. 29/556,648; pp. 1-14; publisher United States Patent and Trademark Office; published Alexandria, Virginia, USA; copyright and dated Nov. 16, 2016; (14 pages).
 Lego Classic website, May 31, 2016 (1 page).
 Mega Bloks website, May 31, 2016 (1 page).

* cited by examiner

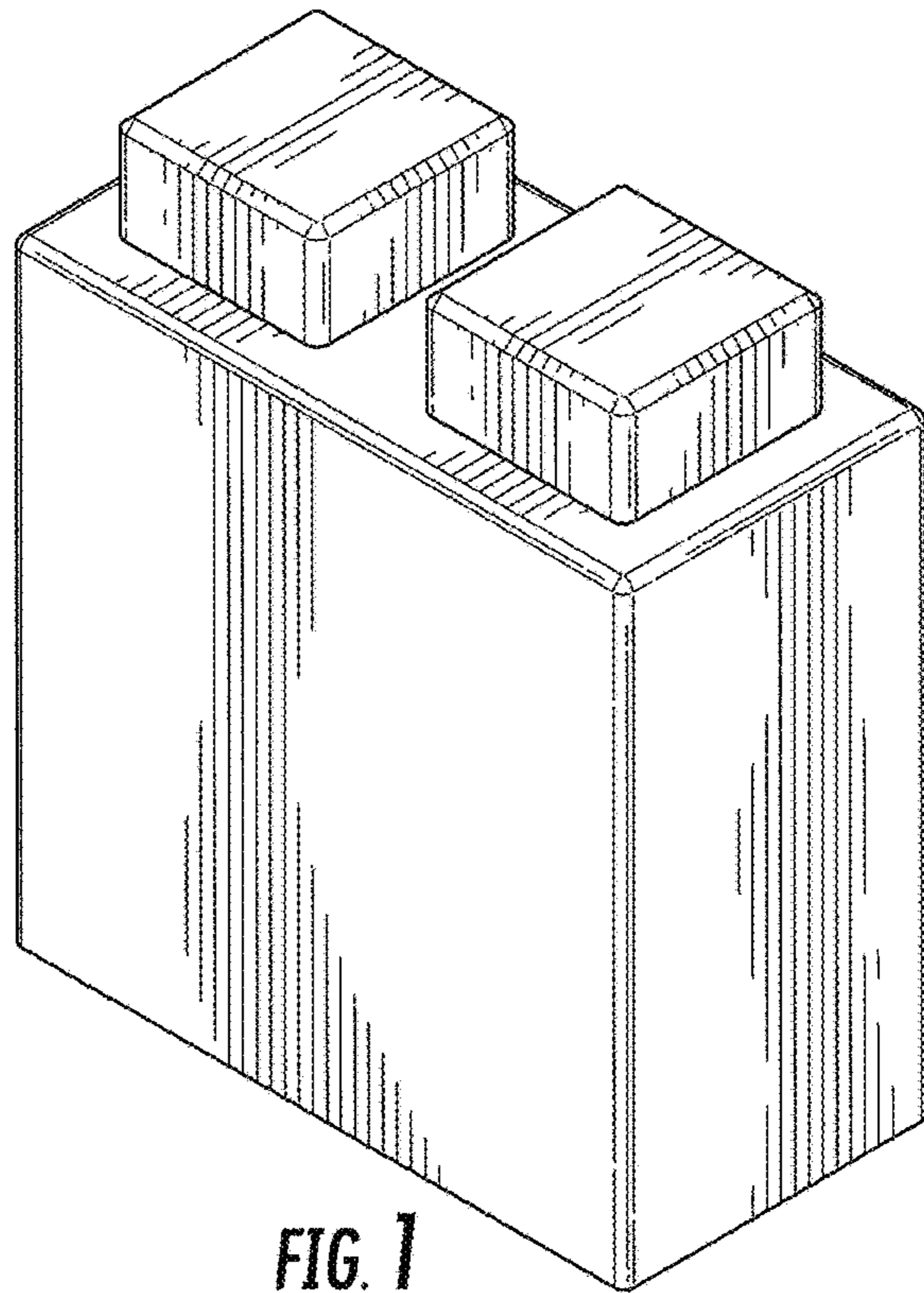


FIG. 1

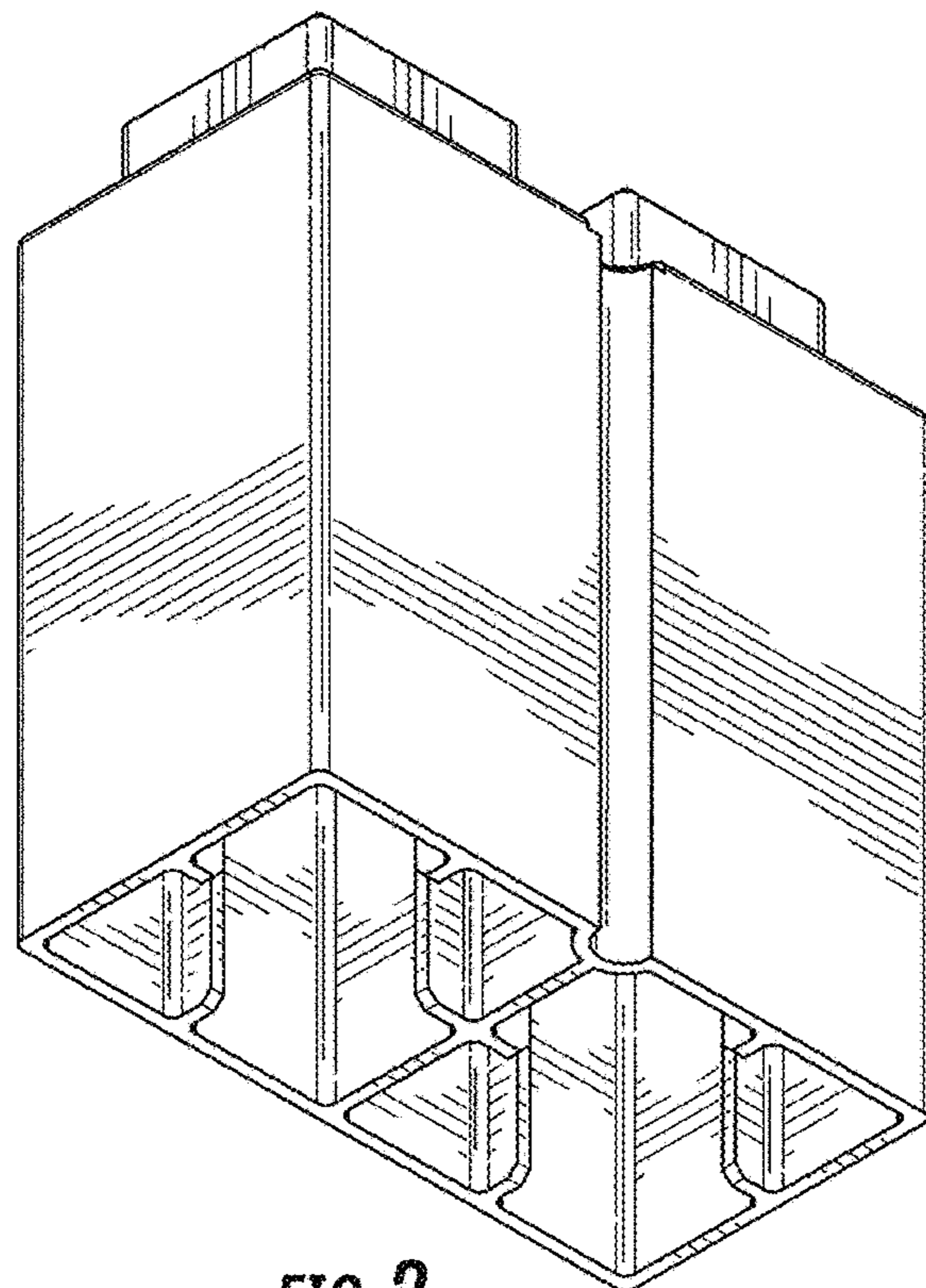


FIG. 2

FIG. 3

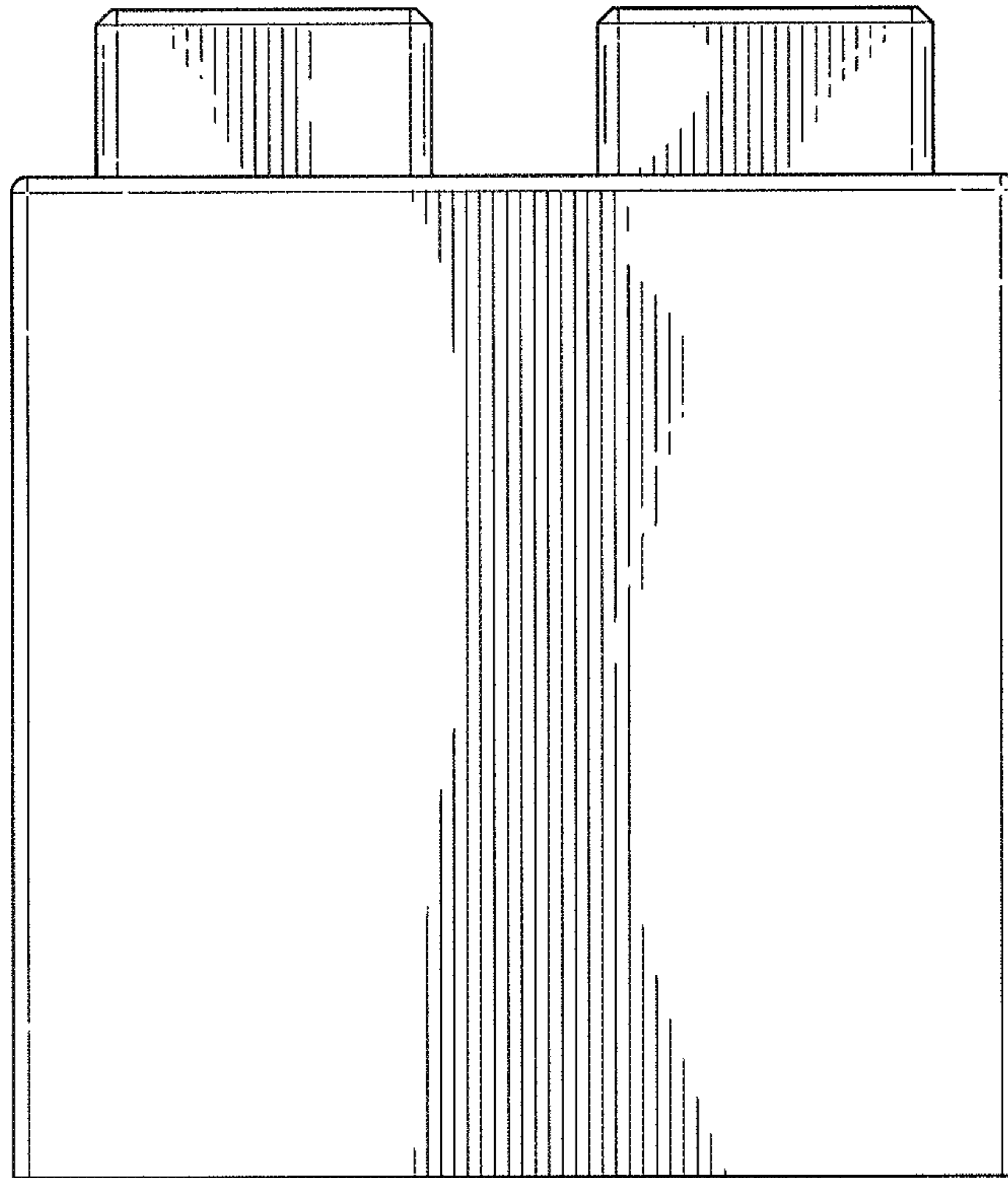
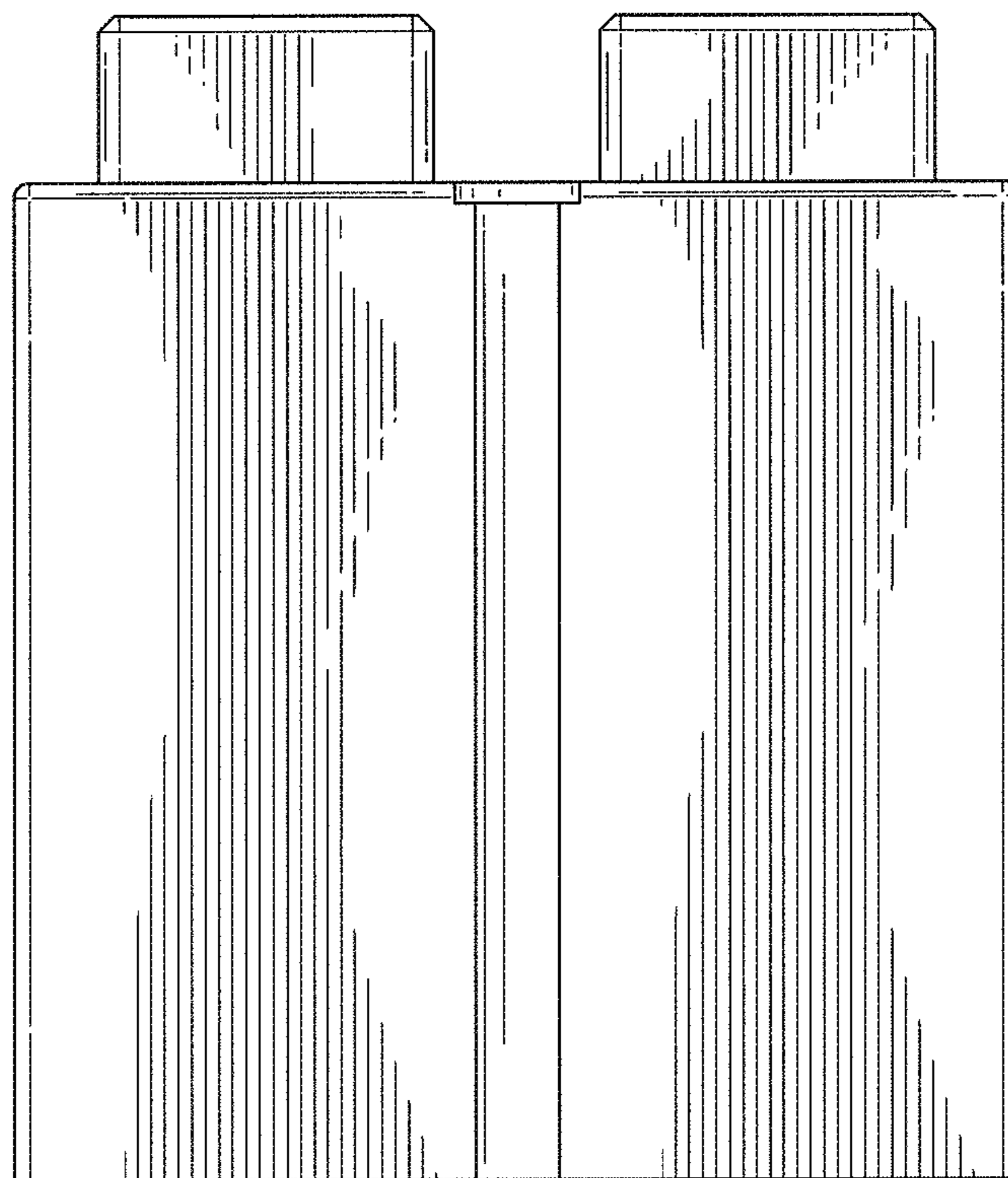


FIG. 4



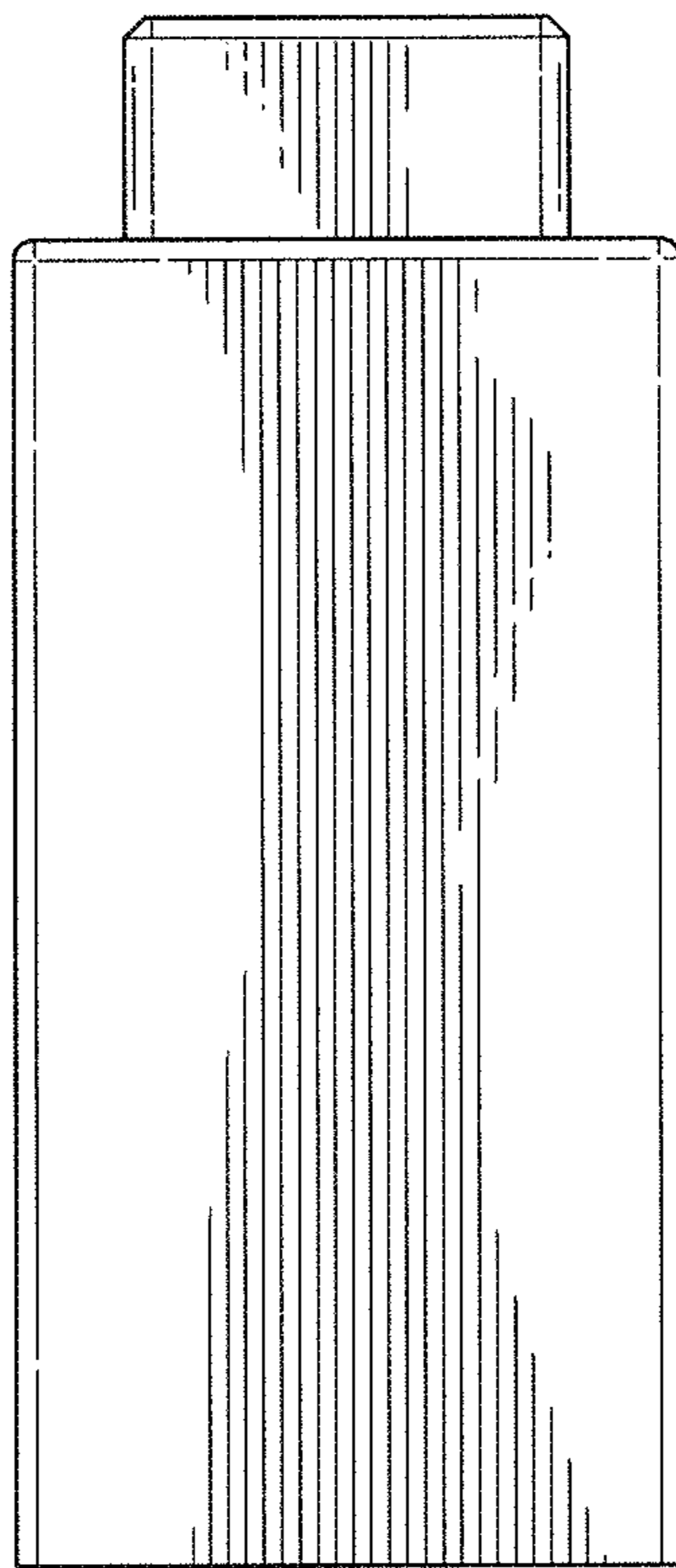


FIG. 5

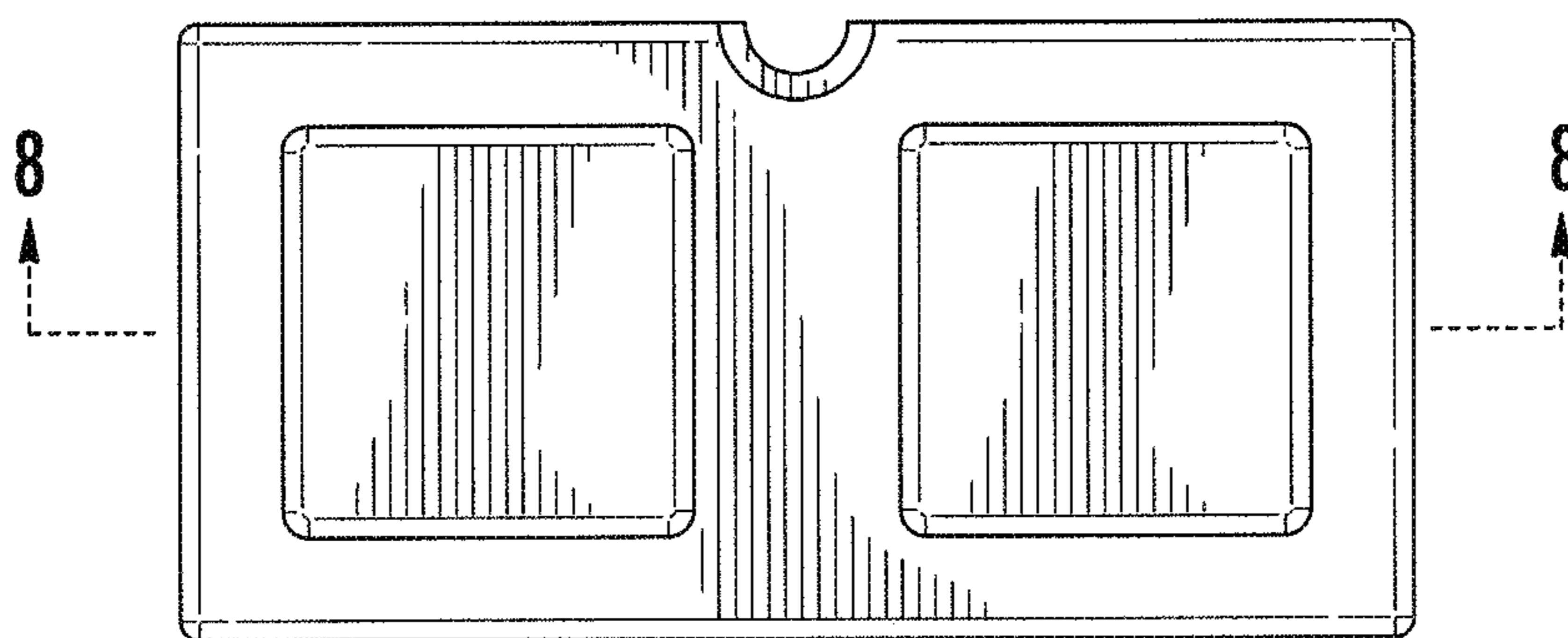


FIG. 6

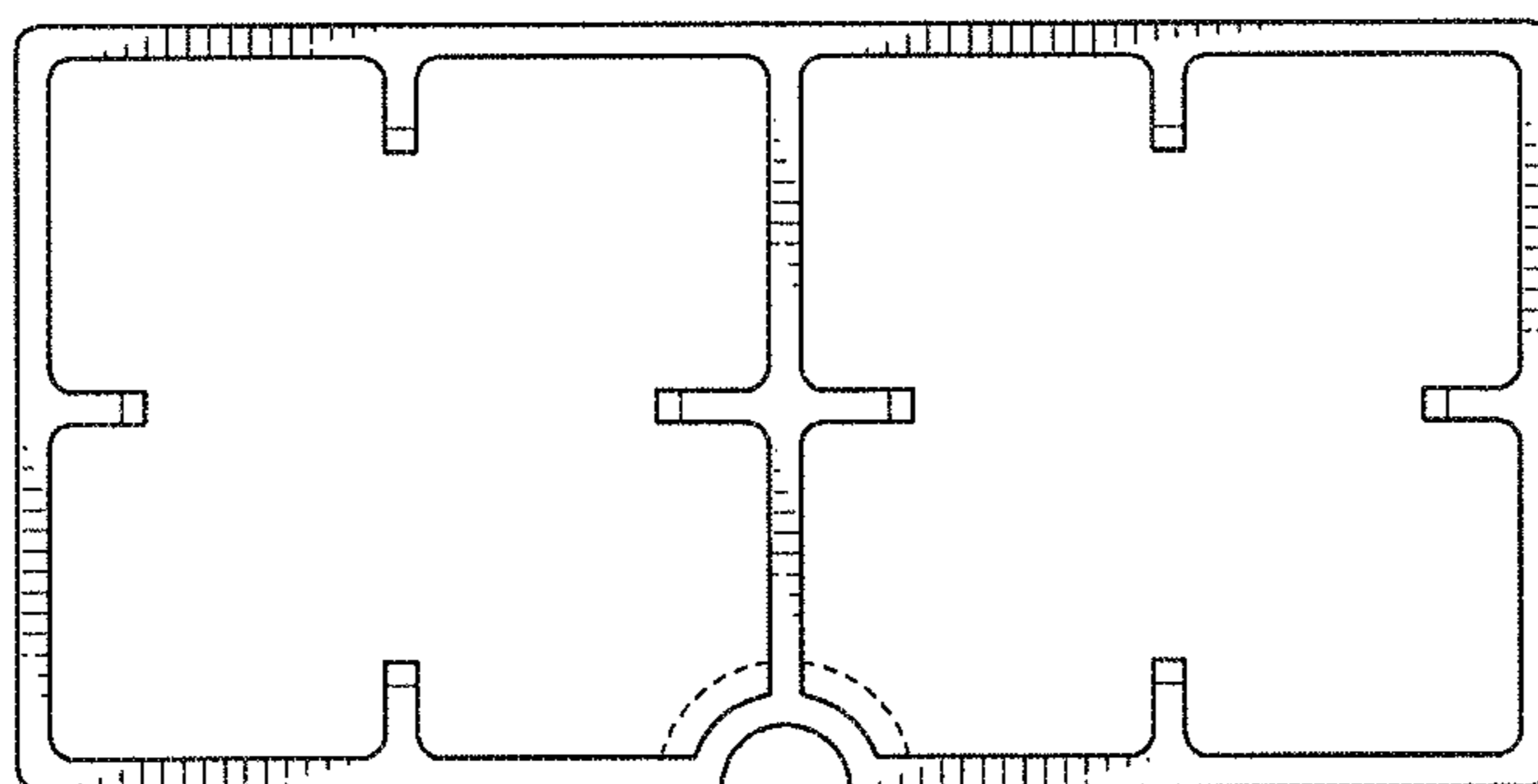


FIG. 7

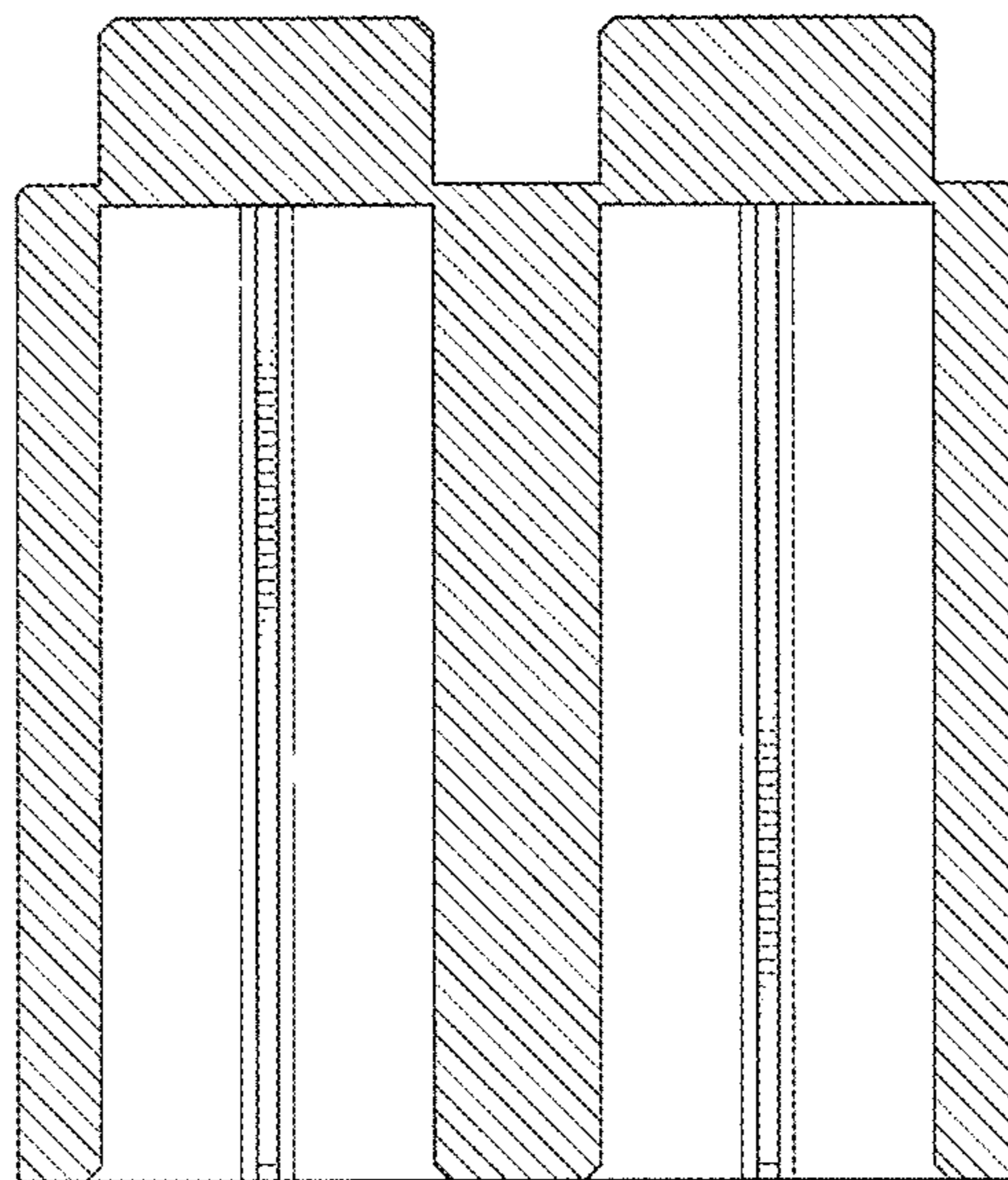


FIG. 8