



US00D800845S

(12) **United States Design Patent**
Sprague

(10) **Patent No.:** **US D800,845 S**

(45) **Date of Patent:** **** Oct. 24, 2017**

(54) **BLOCK PIECE FROM TOY SET**

(71) Applicant: **Gary Sprague**, Grover Beach, CA (US)

(72) Inventor: **Gary Sprague**, Grover Beach, CA (US)

(**) Term: **15 Years**

(21) Appl. No.: **29/565,522**

(22) Filed: **May 20, 2016**

(51) **LOC (10) Cl.** **21-01**

(52) **U.S. Cl.**
USPC **D21/499**

(58) **Field of Classification Search**

USPC D21/333, 373, 386, 389, 404, 468, 470,
D21/471, 475, 484-505; 446/69, 85,
446/102-128; 434/167, 208, 259, 403;
273/153, 156, 160; D3/304, 314;
D24/101; D25/113, 118
CPC A63H 33/04; A63H 33/06; A63H 33/062;
A63H 33/08; A63H 33/084; A63H
33/088; A63F 9/12; A63F 9/1224

See application file for complete search history.

(56) **References Cited**

U.S. PATENT DOCUMENTS

5,000,713 A * 3/1991 Cheng A63H 33/06
273/160
D437,366 S * 2/2001 Stemmler D21/499
D447,944 S * 9/2001 Justice D21/499
D531,514 S * 11/2006 Harris D21/499

D616,044 S * 5/2010 Tervo D21/499
D616,045 S * 5/2010 Tervo D21/499
8,382,548 B2 * 2/2013 Maggiore A63H 33/062
446/120
D698,869 S * 2/2014 Strzelewicz D21/499
D702,774 S * 4/2014 Wizenberg D21/499
D758,501 S * 6/2016 Sorensen D21/495
D776,205 S * 1/2017 Facey D21/499
2010/0210173 A1 * 8/2010 Maggiore A63H 33/062
446/125
2011/0039474 A1 * 2/2011 Bruder A63H 33/101
446/124

* cited by examiner

Primary Examiner — Cynthia M Chin

(74) *Attorney, Agent, or Firm* — Michael N. Cohen;
Cohen IP Law Group PC

(57) **CLAIM**

I claim the ornamental design for a block piece from toy set,
as shown and described.

DESCRIPTION

FIG. 1 is a top perspective view of the block piece from toy
set;

FIG. 2 is a bottom perspective view of FIG. 1;

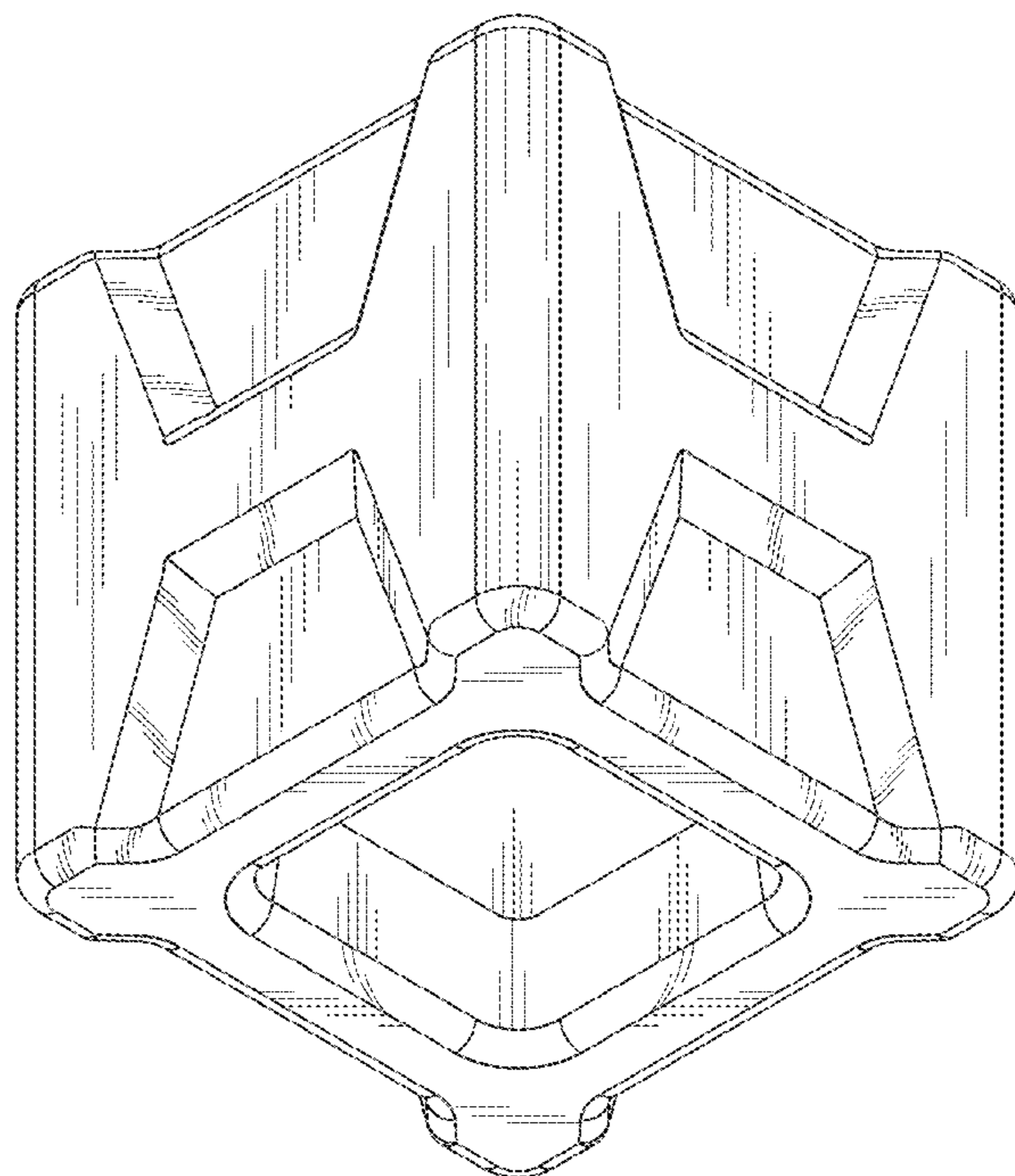
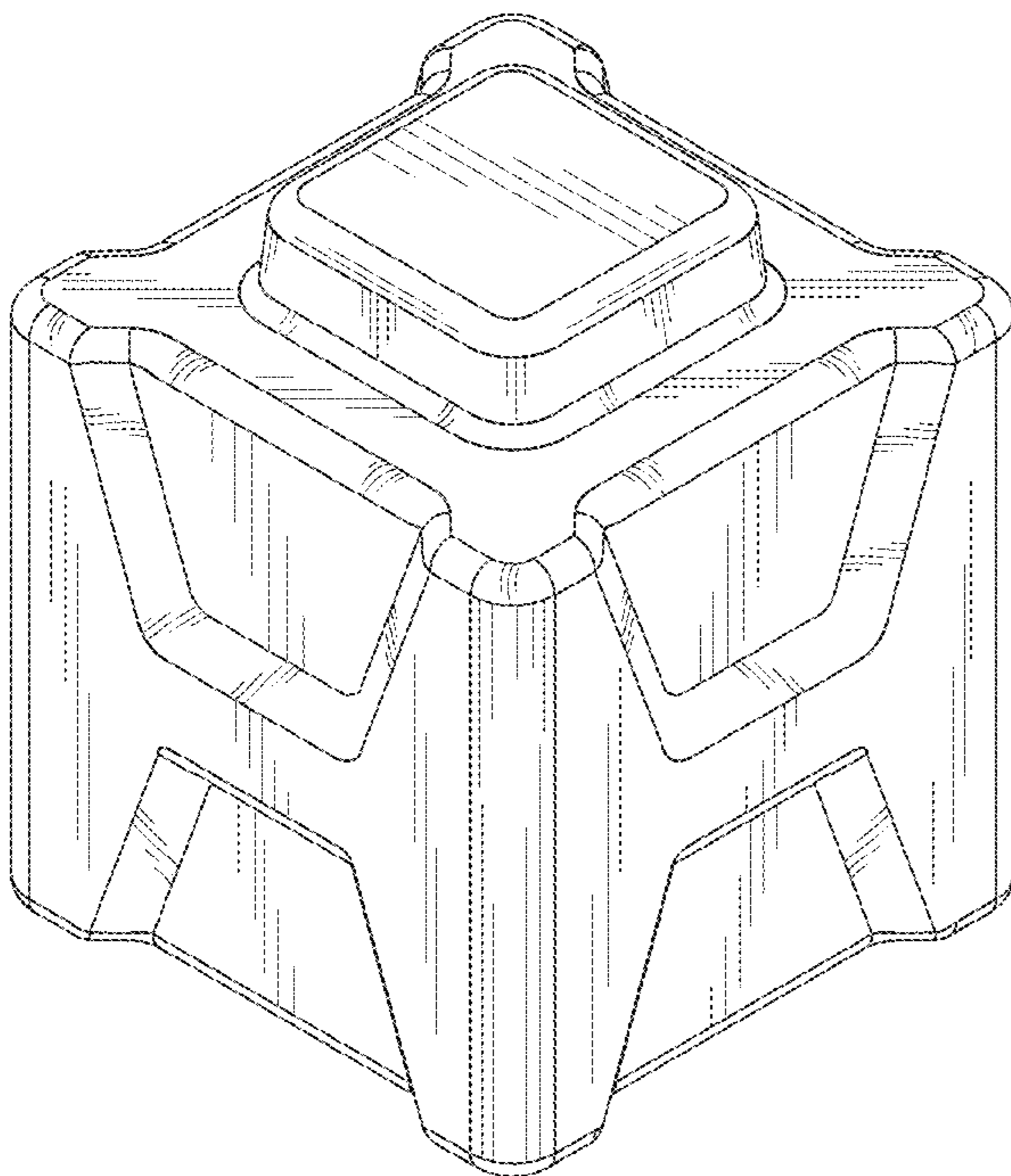
FIG. 3 is a front view of FIG. 1;

FIG. 4 is a top view of FIG. 1;

FIG. 5 is a bottom view of FIG. 1; and,

FIG. 6 is a side view of FIG. 1.

1 Claim, 6 Drawing Sheets



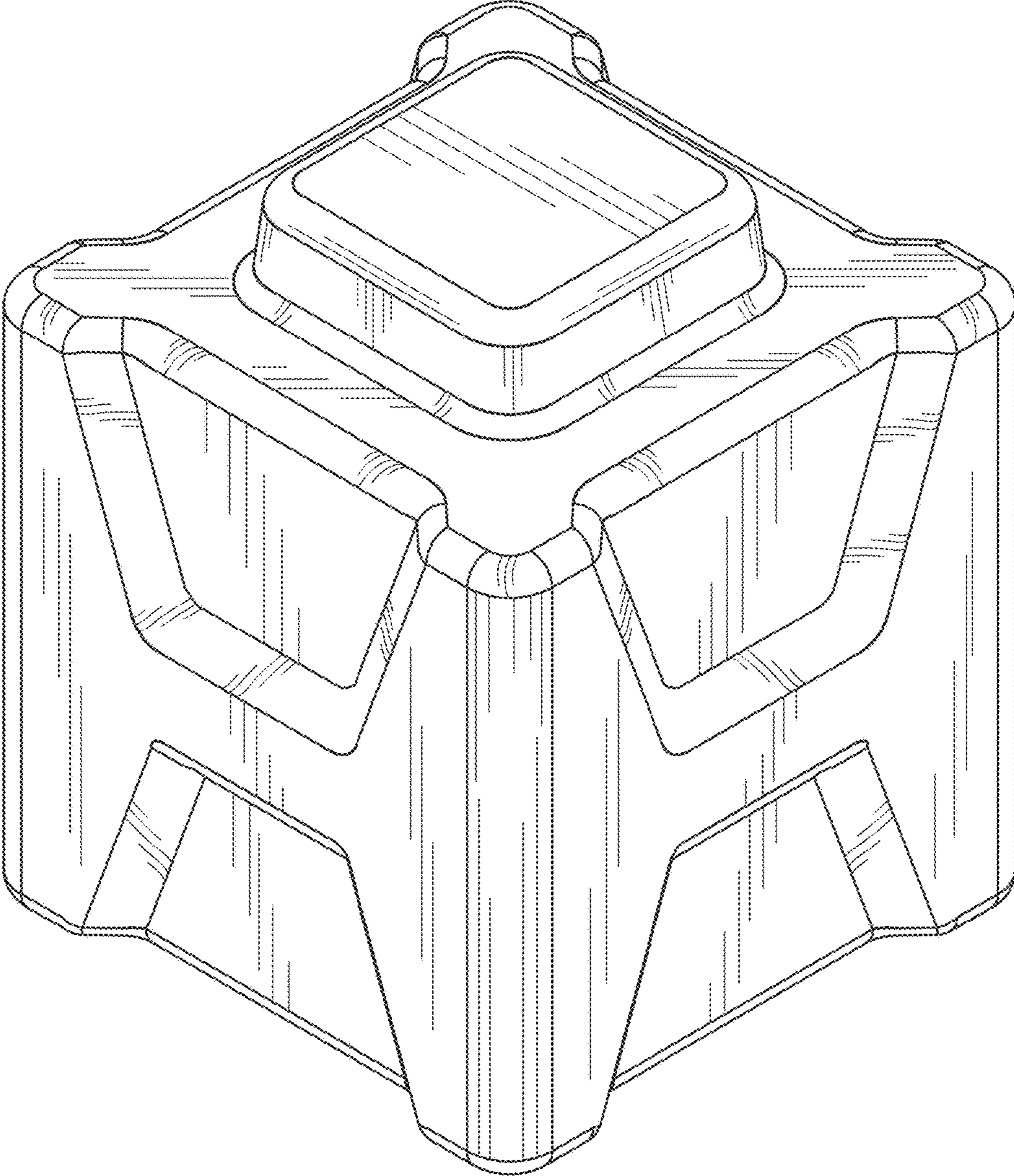


FIG. 1

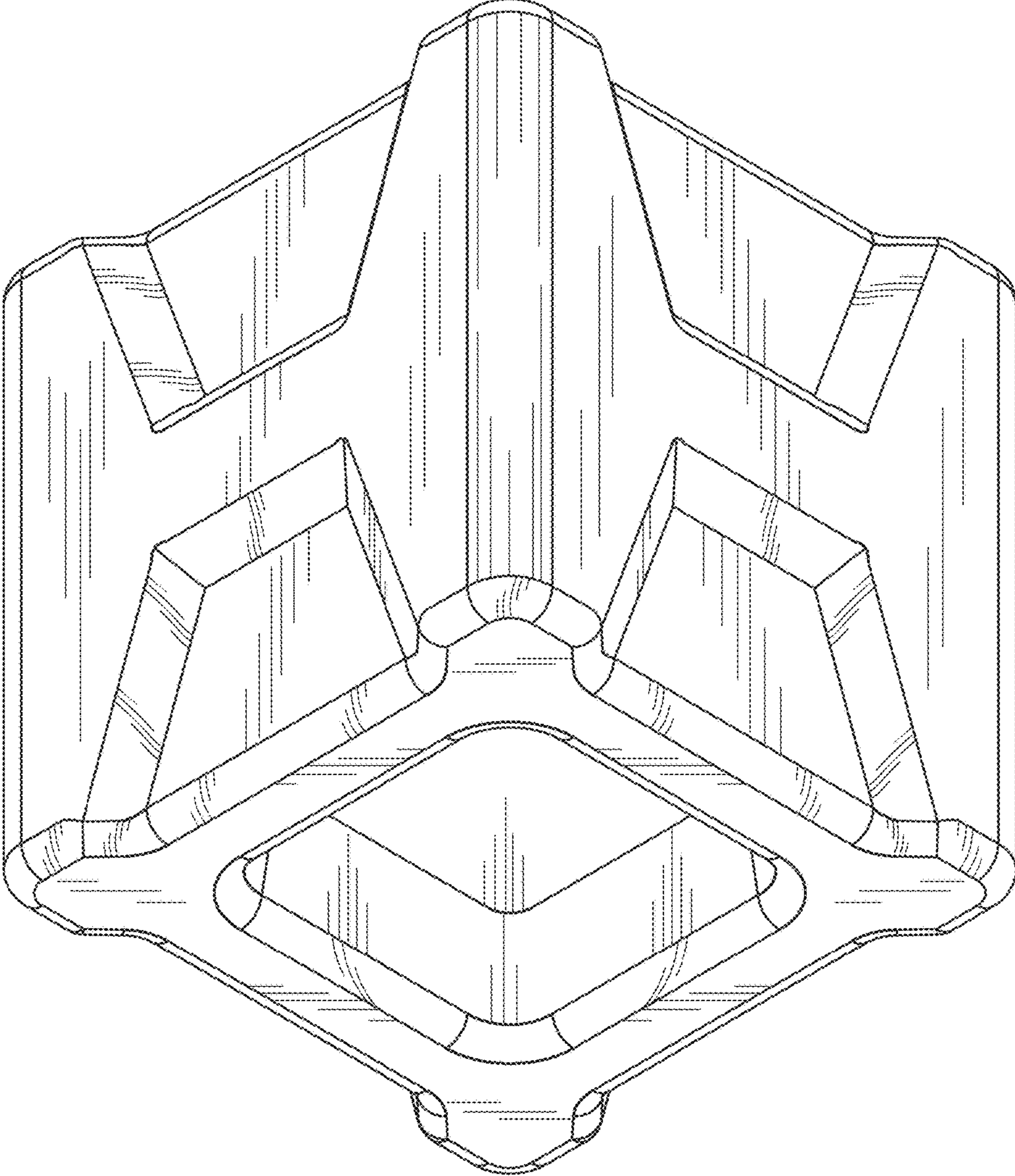


FIG. 2

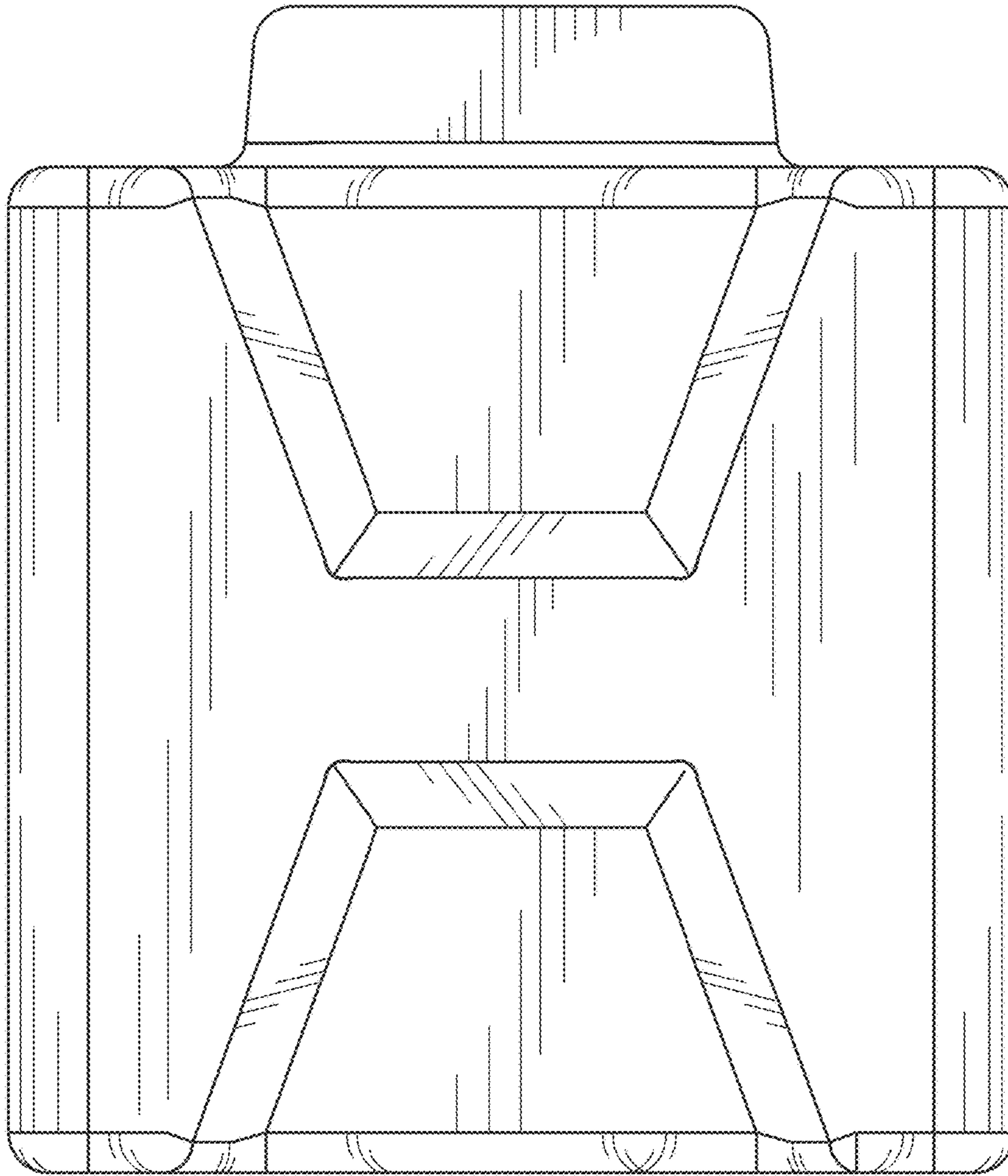


FIG. 3

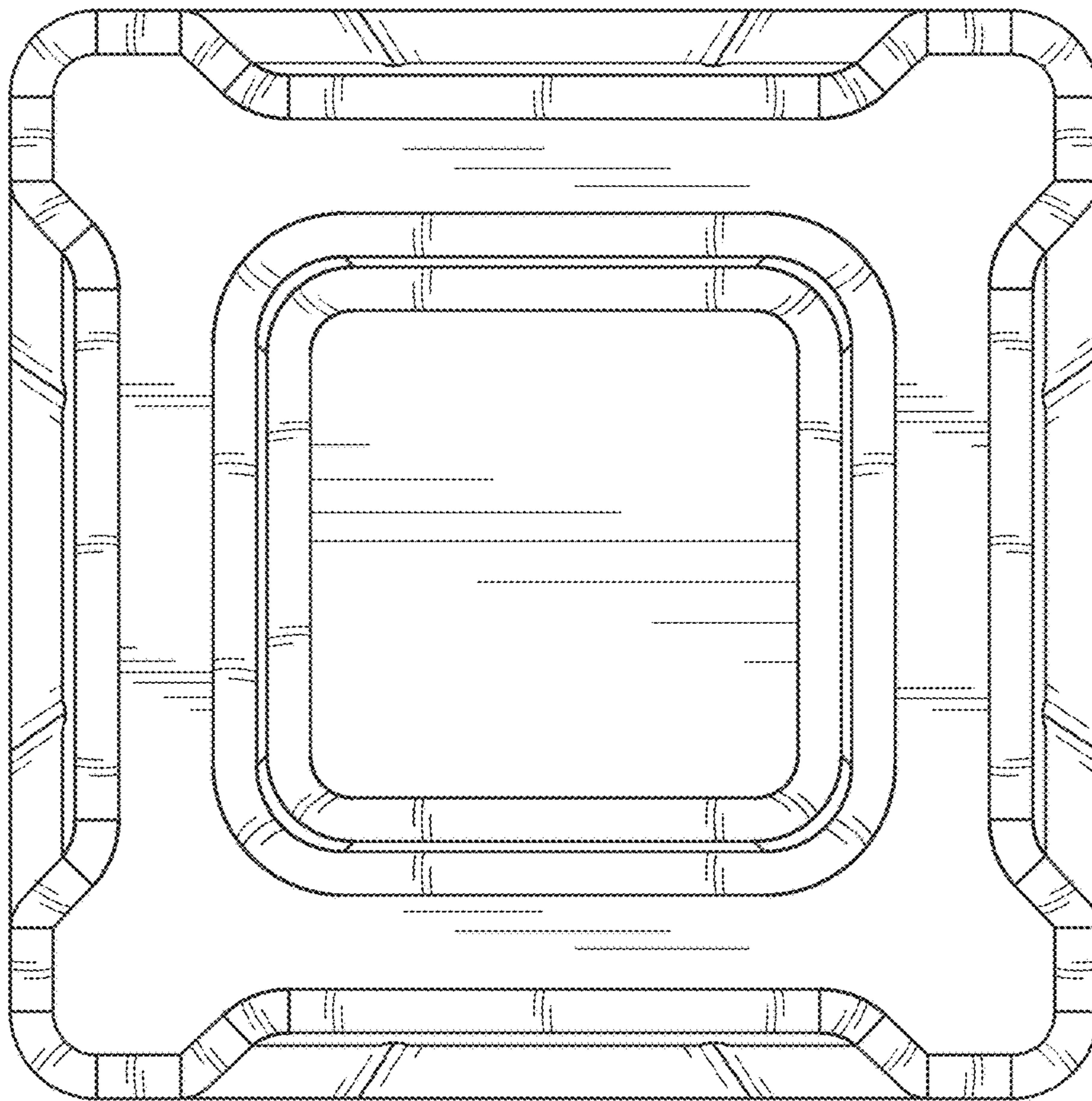


FIG. 4

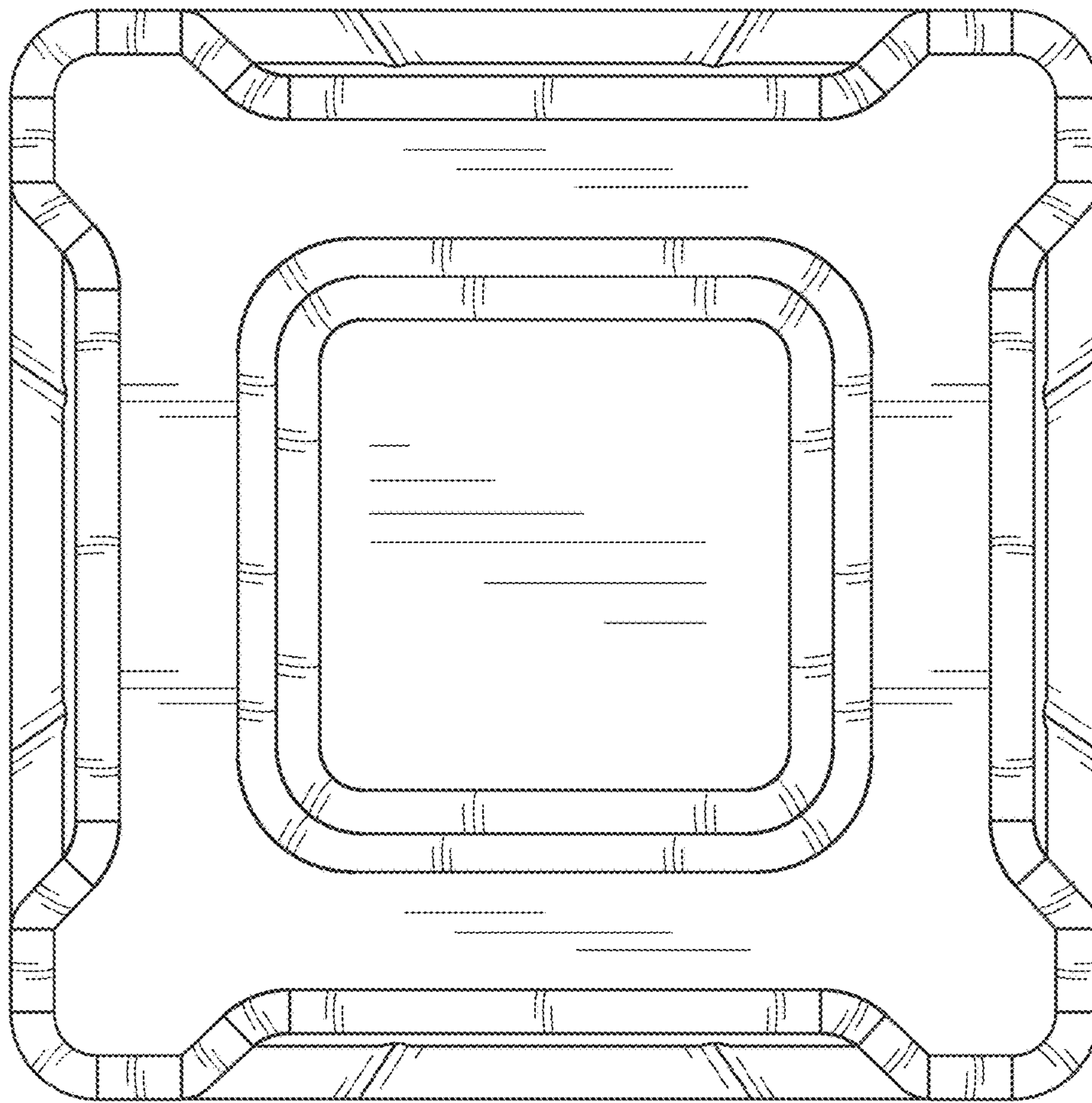


FIG. 5

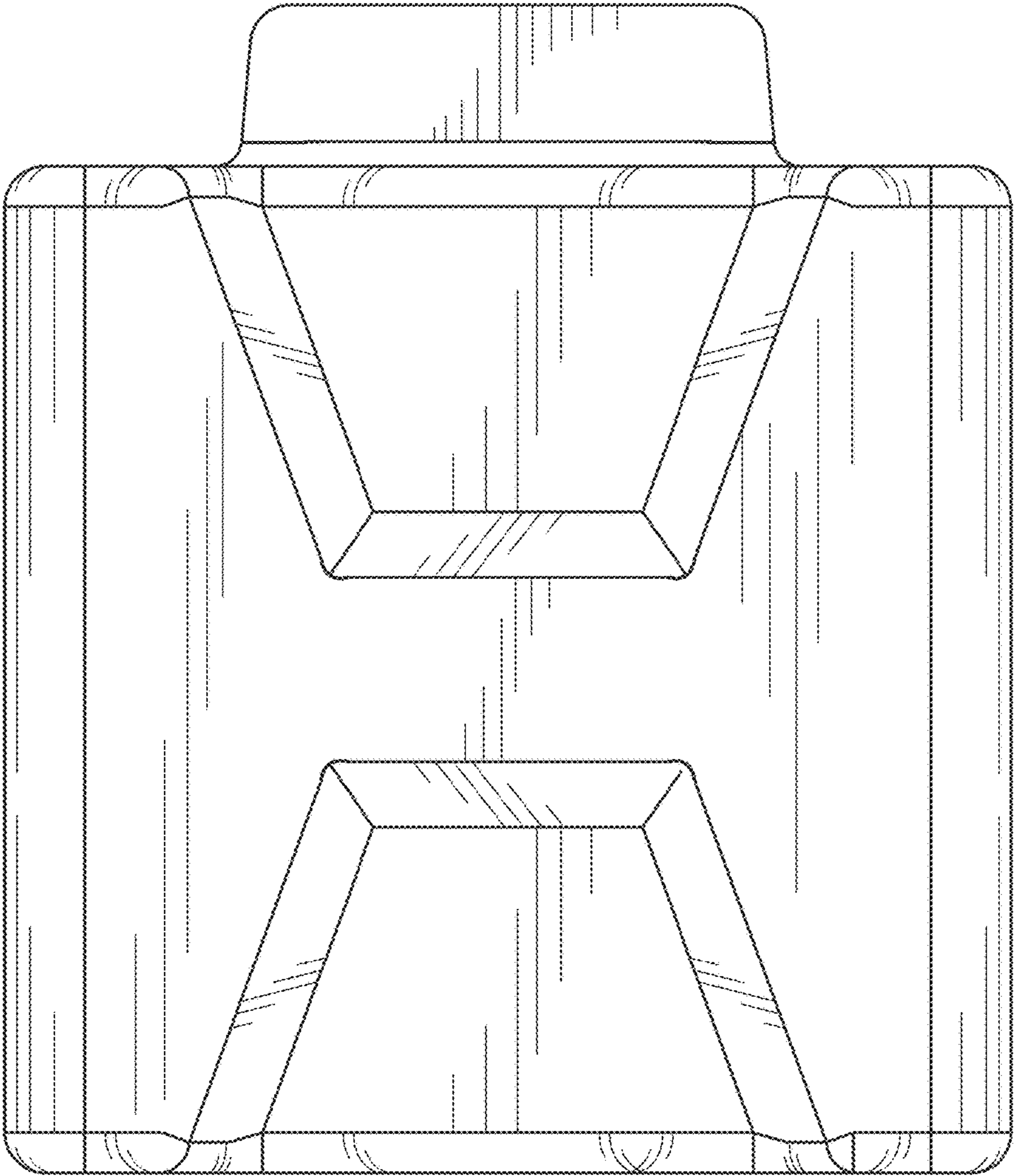


FIG. 6