



US00D800842S

(12) **United States Design Patent**
Kim

(10) **Patent No.:** **US D800,842 S**

(45) **Date of Patent:** **** *Oct. 24, 2017**

(54) **GAME BOARD COMPONENT**

(71) Applicant: **Yong Chul Kim**, Seoul (KR)

(72) Inventor: **Yong Chul Kim**, Seoul (KR)

(*) Notice: This patent is subject to a terminal disclaimer.

(**) Term: **14 Years**

(21) Appl. No.: **29/494,553**

(22) Filed: **Jun. 21, 2014**

(30) **Foreign Application Priority Data**

Mar. 13, 2014 (KR) 30-2014-0011957

(51) **LOC (10) Cl.** **21-01**

(52) **U.S. Cl.**
USPC **D21/338**; D21/365

(58) **Field of Classification Search**

USPC D21/334, 335-342, 355-359, 365, 318, D21/397; 273/242, 244-247, 259, 277, 273/287, 317.3, 108.1, 108.5, 118 D, 273/236-240, 283, 309, 441, 461, 285; D6/406.1, 406.3, 406.4, 406.6; D19/86, D19/92, 95, 87, 113, 75, 77, 78, 80; 108/14, 62, 43, 67; 434/416, 247, 248, 434/251, 408, 413, 145, 430

CPC A63F 3/00; A63F 3/00003; A63F 3/00028; A63F 3/00041; A63F 3/00044; A63F 3/00047; A63F 3/00173; A63F 3/00176; A63F 3/00214; A63F 3/00261; A63F 3/00643; A63F 3/00646-3/00659; A63F 3/04; A63F 2003/00182; A63F 2003/00223; A63F 2003/00457; A63F 2003/0046; A63F 2003/00463; A63F 2003/00466; A63F 2003/0047; A63F 2003/00485; A63F 2003/00492; A63F 2003/00507; A63F 2003/00514; A63F 2003/00533; A63F 2003/00552; A63F 2003/00558; A63F 2003/00943; A63F

2003/00946; A63F 2003/00952-2003/00962; A63F 2003/00974; A63F 7/00; A63F 7/06; A63F 7/0612; A63F 7/0604; A63F 7/0616-7/0636; A63F 7/30; A63F 7/36; A63F 7/0005; A63F 7/0017; A63F 7/0023; A63F 2007/0035; A63F 2007/367; A63F 2007/3674; A63F 3/0023; A63F 2003/00233-2003/00255

See application file for complete search history.

(56) **References Cited**

U.S. PATENT DOCUMENTS

166,776 A * 8/1875 Herzog A63F 3/0023 273/148 R

D26,229 S * 10/1896 Schneider D21/338

(Continued)

Primary Examiner — Susan Moon Lee

(57) **CLAIM**

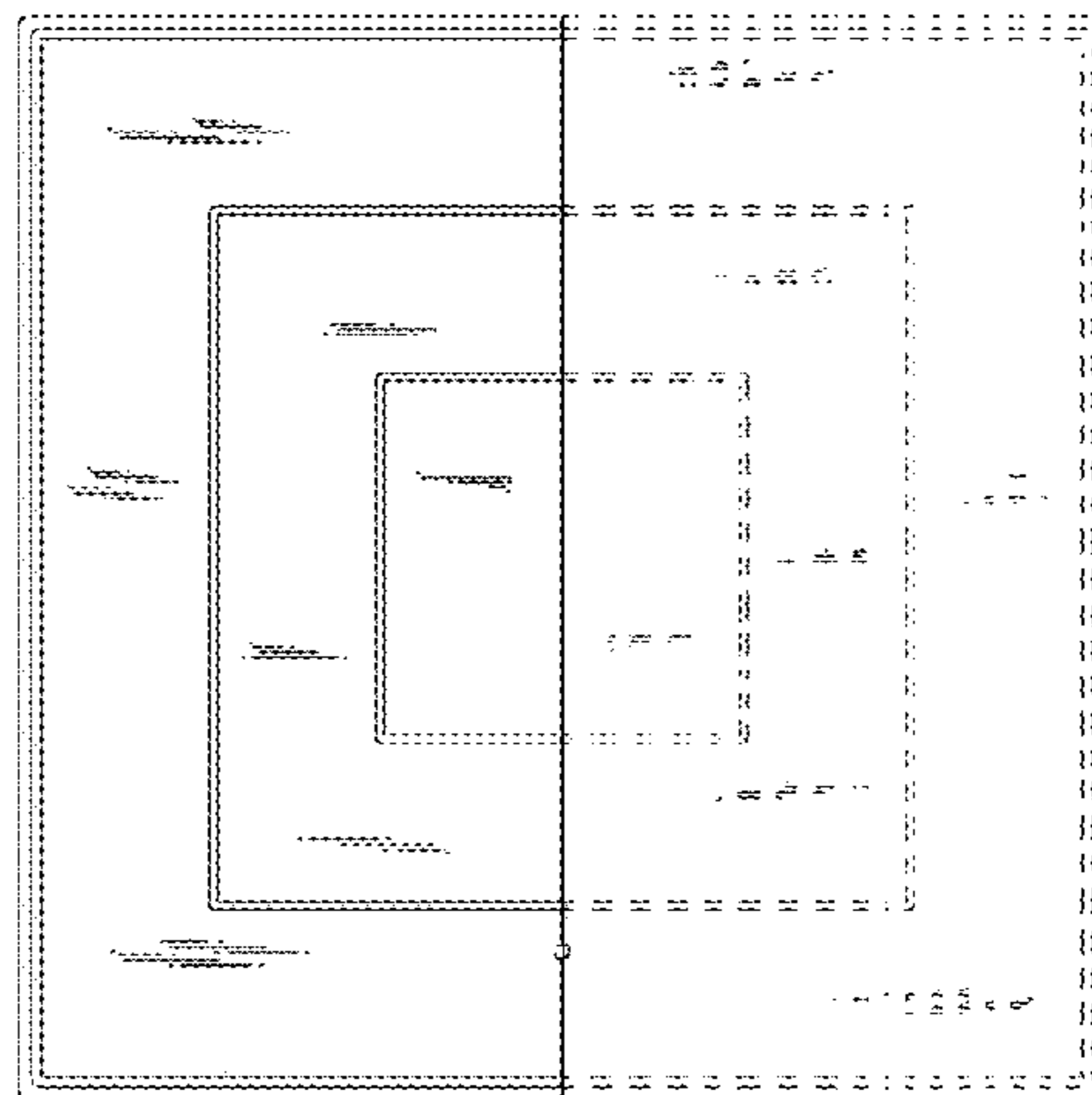
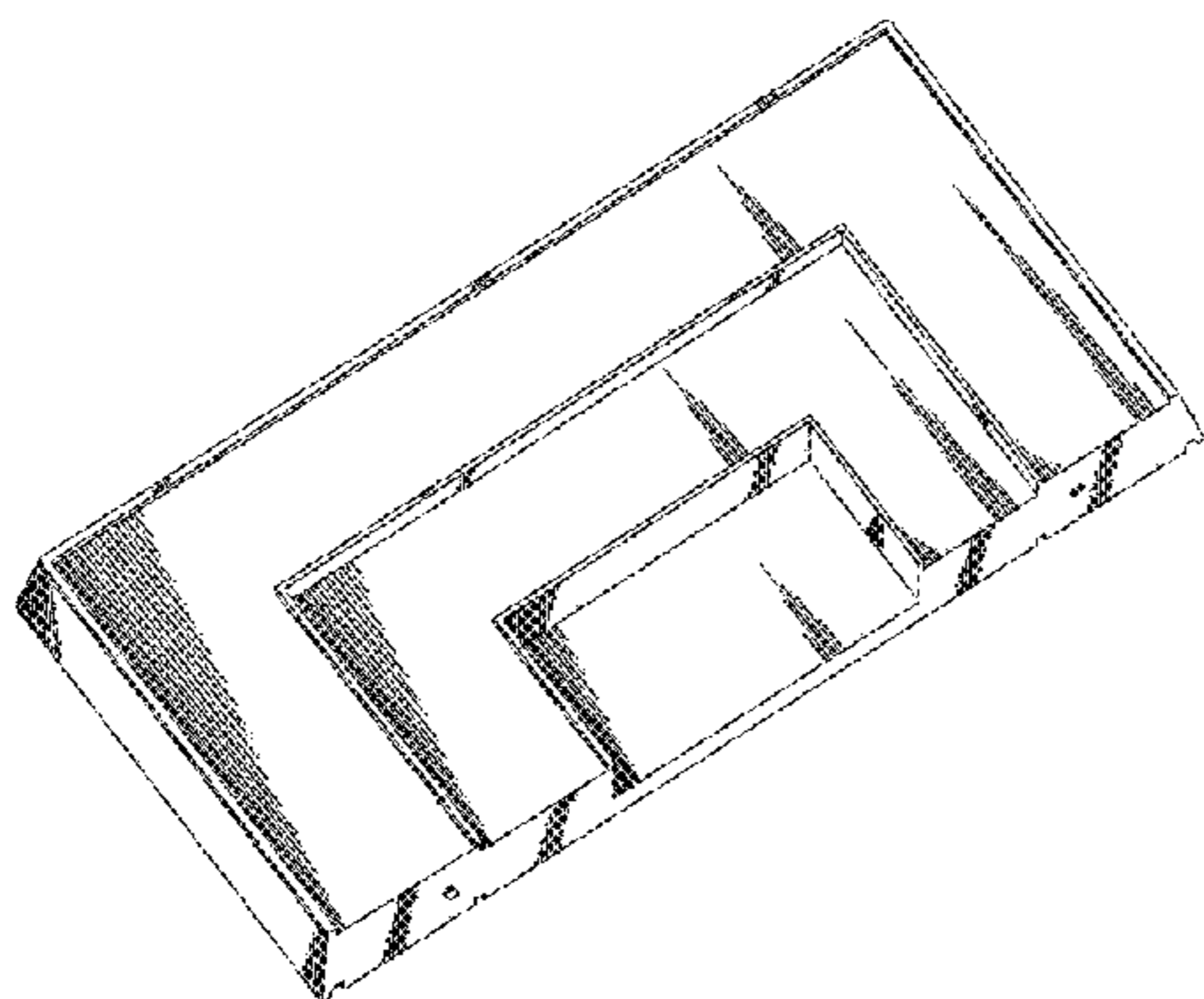
I claim the ornamental design for a game board component, as shown and described.

DESCRIPTION

FIG. 1 is a perspective view of a game board component; FIG. 2 is a front view thereof; FIG. 3 is a rear view thereof; FIG. 4 is a left side view thereof; FIG. 5 is a right side view thereof; FIG. 6 is a bottom view thereof; FIG. 7 is a front reference view illustratively depicting the formation of a game board when two of the game board component halves are joined together; and, FIG. 8 is a side reference view illustratively depicting the manner in which the game board component halves can be stacked up.

The exemplary broken line showing of additional game board component halves in FIGS. 7 and 8 is for illustrative purposes only and forms no part of the claimed design.

1 Claim, 8 Drawing Sheets



(56)

References Cited

U.S. PATENT DOCUMENTS

D26,957 S * 4/1897 Constable D21/340
 D27,789 S * 10/1897 Wood D21/338
 D31,907 S * 11/1899 Libby D21/338
 D33,532 S * 11/1900 Leonard D21/338
 D34,640 S * 6/1901 Carpenter 473/414
 957,800 A * 5/1910 Richardson A63F 3/00094
 273/264
 1,499,214 A * 6/1924 Griebel A63F 3/00574
 273/264
 1,529,132 A * 3/1925 Jimison A63F 3/02
 273/264
 1,595,285 A * 8/1926 Bevan A63F 3/027
 273/282.1
 1,641,104 A * 8/1927 Solod A63F 3/0023
 273/285
 D88,670 S * 12/1932 O'Brien 273/148 R
 1,900,513 A * 3/1933 Marsh A63F 1/06
 108/93
 D95,666 S * 5/1935 Crawford D21/335
 D110,770 S * 8/1938 Alger D21/335
 D124,823 S * 1/1941 Rodkey 273/242
 D129,153 S * 8/1941 Steindel 273/242
 2,361,471 A * 10/1944 Fontaine, Jr. A63F 7/06
 273/123 R
 D147,421 S * 9/1947 Sawyer D21/338
 D185,701 S * 7/1959 Elkman D21/346
 D186,176 S * 9/1959 Hassman D21/338
 3,346,259 A * 10/1967 Froehlig A63F 3/0023
 273/285
 D228,076 S * 8/1973 Kirkland 273/287
 D231,556 S * 4/1974 Becker 273/260
 3,995,704 A * 12/1976 Blickman A63F 3/0023
 273/258
 D246,125 S * 10/1977 Forward D21/365

4,136,882 A * 1/1979 Odza A63F 3/00
 273/264
 D251,139 S * 2/1979 Kroll D21/338
 D260,910 S * 9/1981 Moseley D21/335
 D265,216 S * 6/1982 Tammen D21/366
 4,371,168 A * 2/1983 Dupuis A63F 3/0023
 206/315.1
 D269,286 S * 6/1983 Woolwine D21/346
 D271,117 S * 10/1983 Armstrong D21/365
 4,436,307 A * 3/1984 Caldwell A63F 9/1044
 206/315.1
 4,579,347 A * 4/1986 Reman A63F 3/02
 273/264
 4,811,954 A * 3/1989 Hemmann A63F 3/0023
 206/315.1
 4,875,688 A * 10/1989 Whaley A63F 3/00895
 206/315.1
 5,429,370 A * 7/1995 Binder A63F 3/02
 273/264
 D437,360 S * 2/2001 Golling D21/335
 D448,054 S * 9/2001 Dominguez D21/341
 6,527,243 B1 * 3/2003 Kume, Jr. A47B 23/002
 108/168
 D510,604 S * 10/2005 Deveaux, III D21/335
 6,991,232 B1 * 1/2006 Yufa A63F 3/02
 273/239
 7,147,225 B2 * 12/2006 Navarro A63F 7/06
 273/108.1
 8,833,769 B1 * 9/2014 Hilvitz A63F 3/0023
 273/283
 D740,373 S * 10/2015 Martin D21/397
 D786,982 S * 5/2017 Kim D21/338
 2007/0057463 A1 * 3/2007 Del Rincon A63F 3/00
 273/285
 2009/0174144 A1 * 7/2009 Orbanes A63F 3/00
 273/285

* cited by examiner

FIG. 1

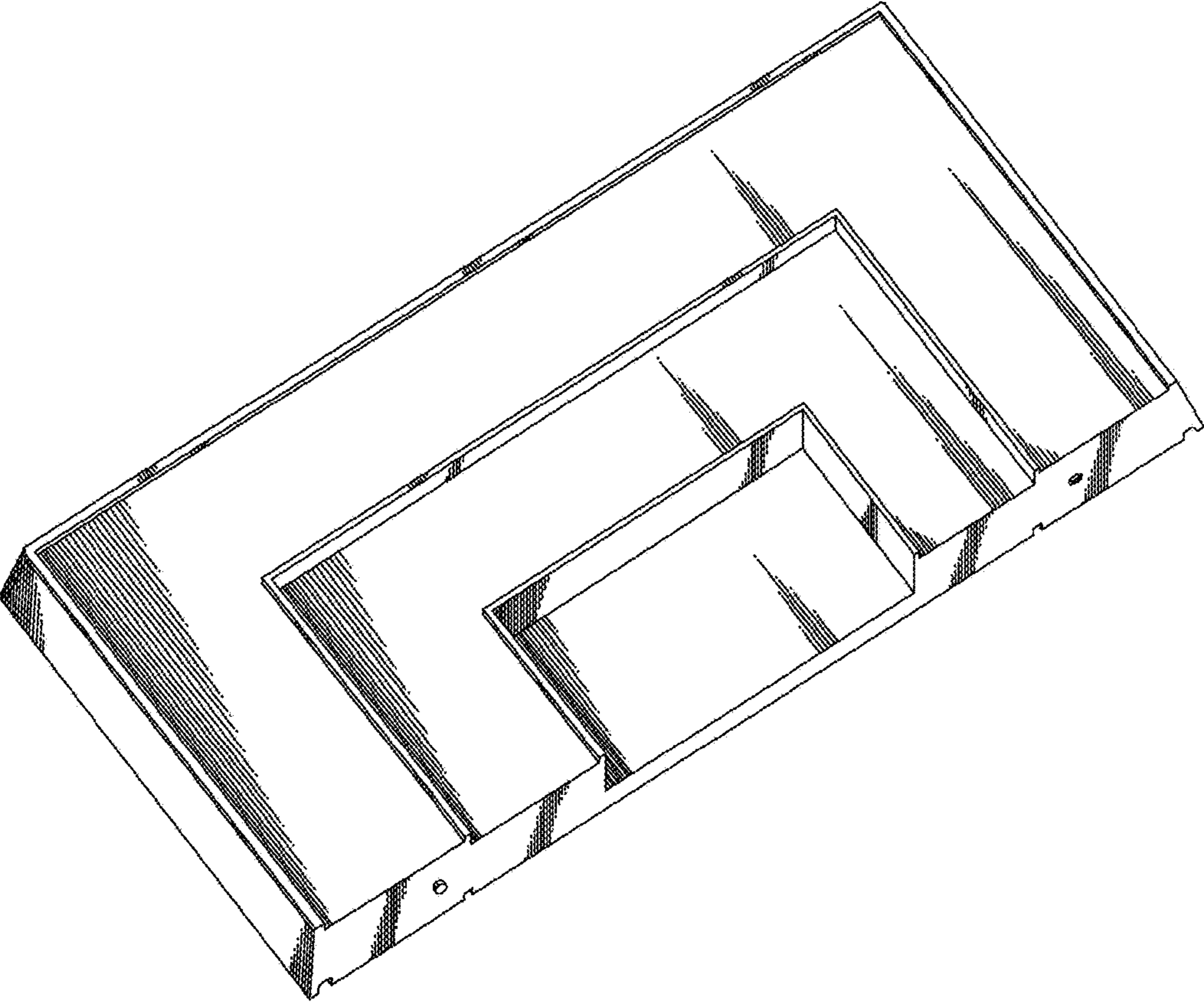


FIG. 2

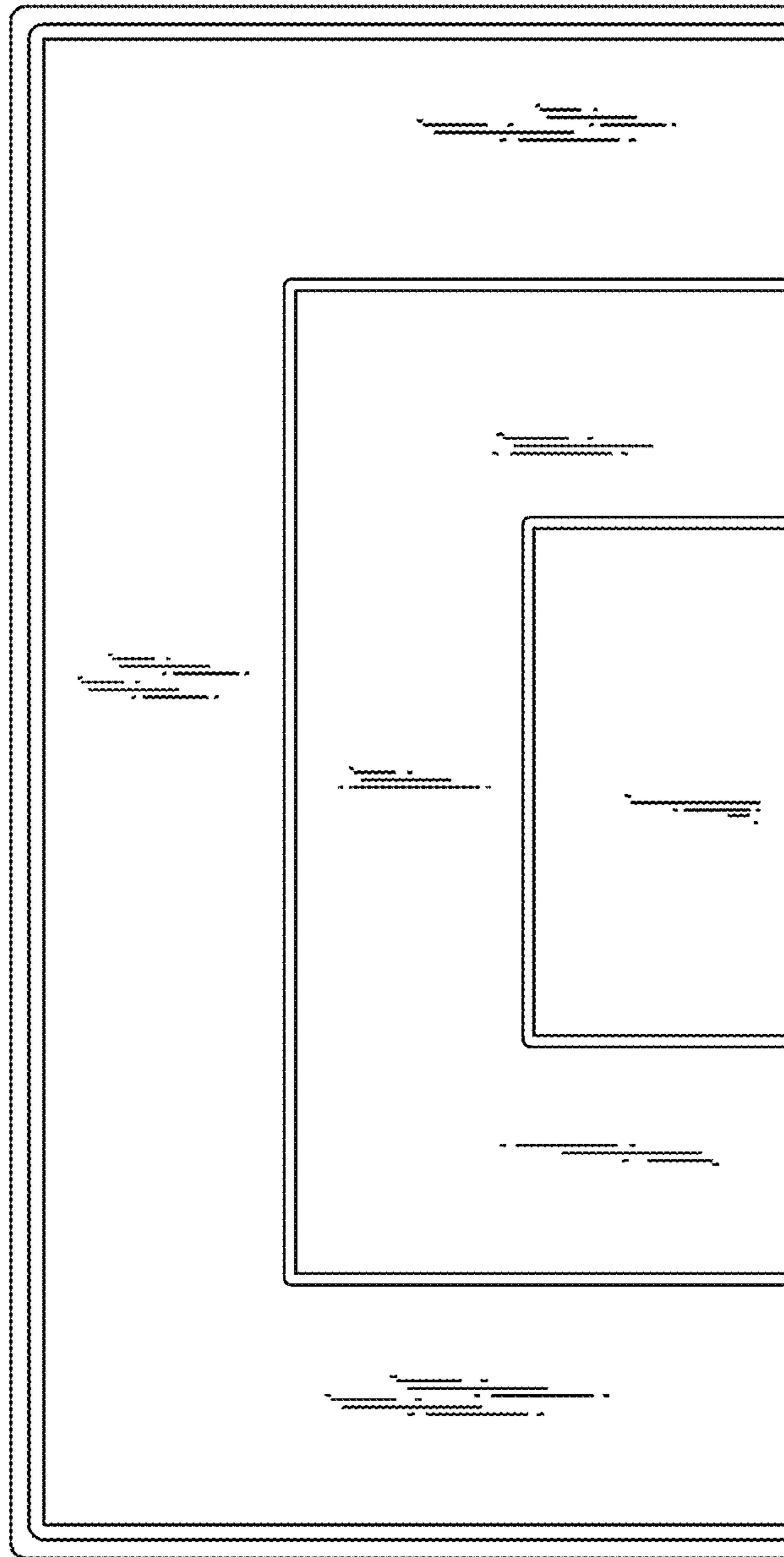


FIG. 3

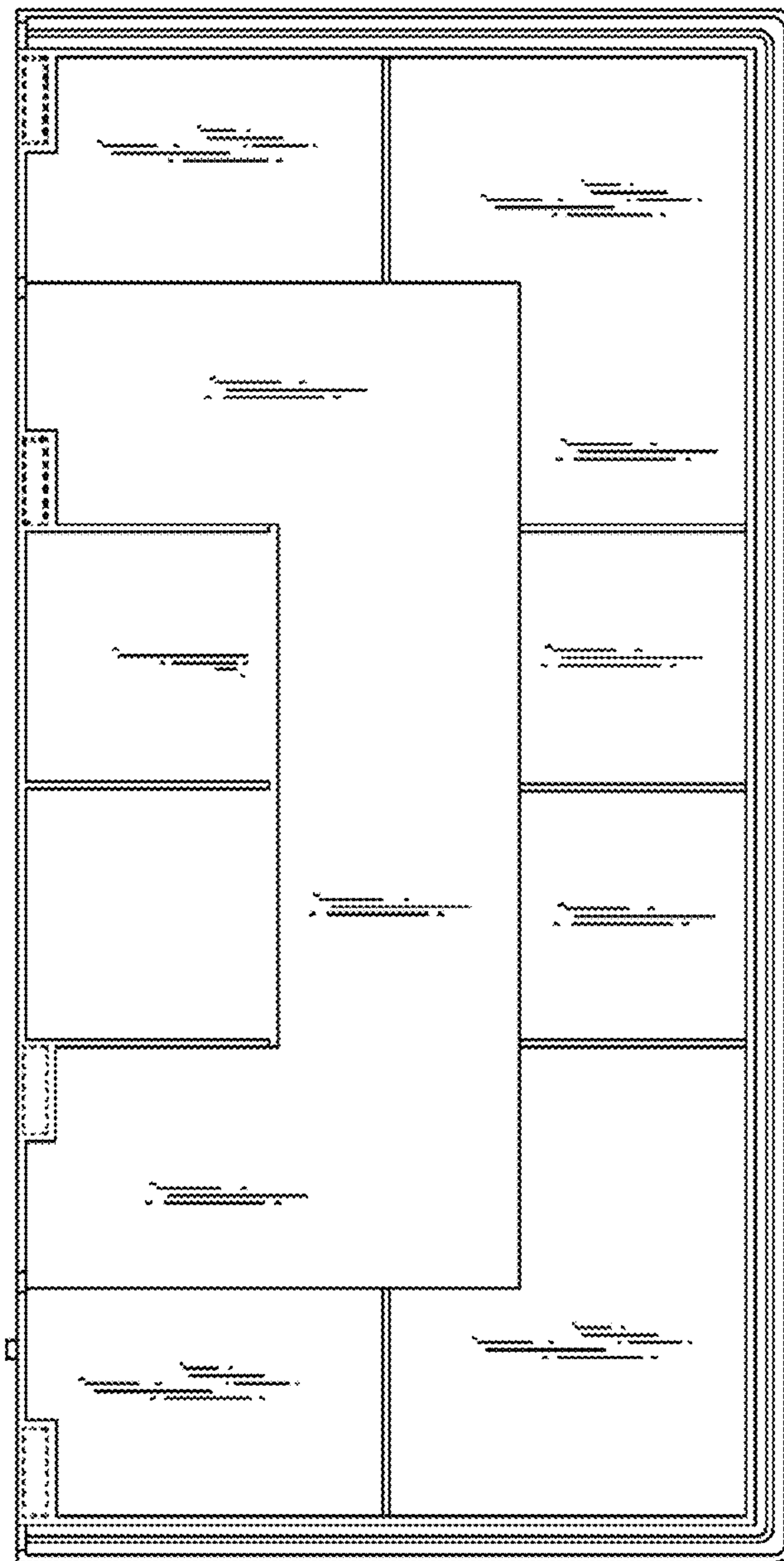


FIG. 4



FIG. 5

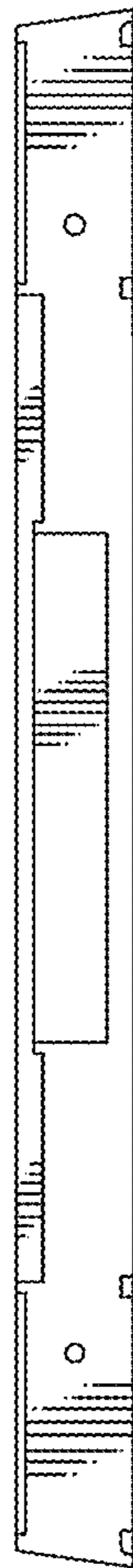


FIG. 6



FIG. 7

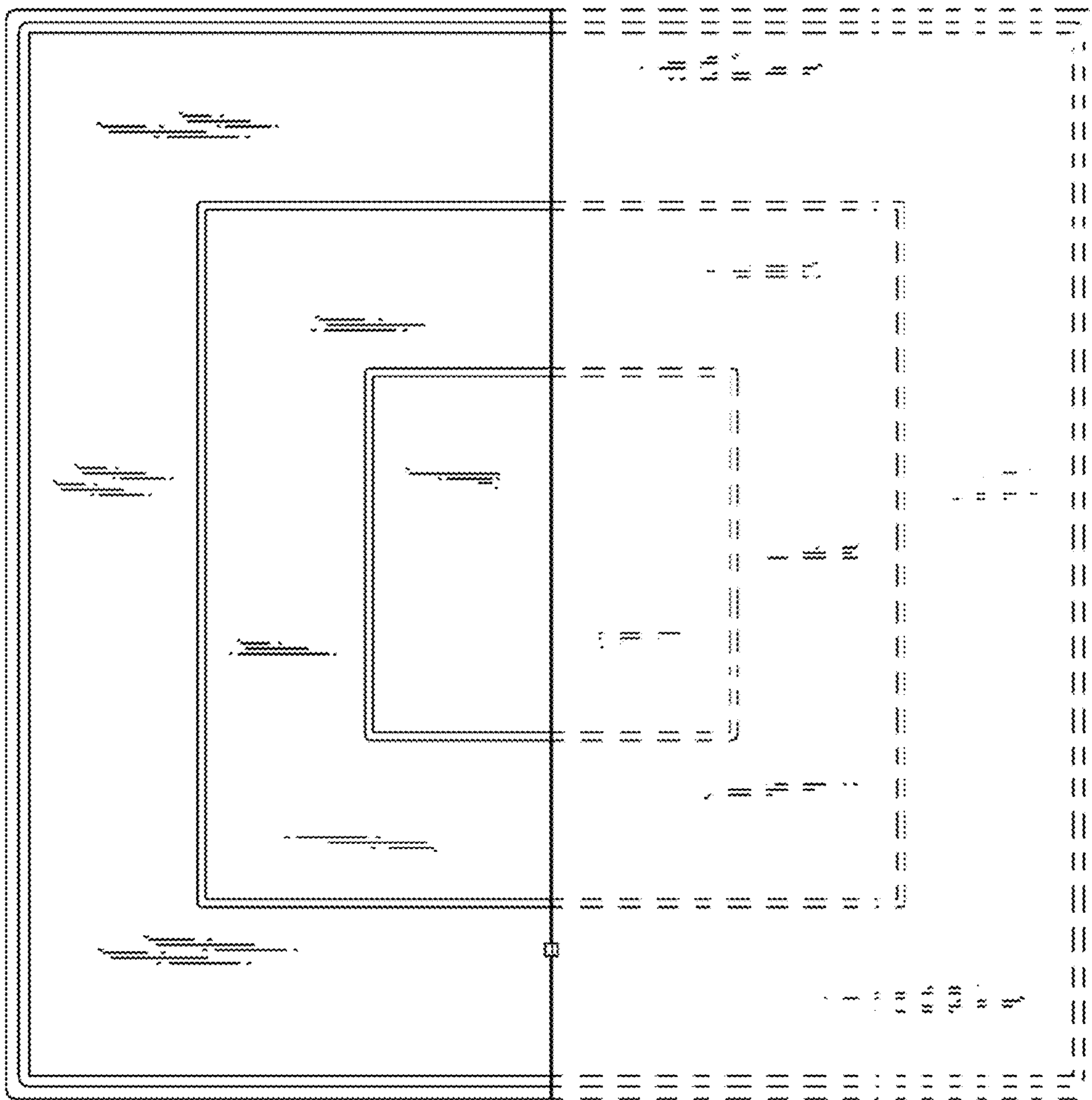


FIG. 8

