



US00D800839S

(12) **United States Design Patent** (10) **Patent No.:** **US D800,839 S**
McPhillips (45) **Date of Patent:** **** Oct. 24, 2017**

(54) **BASE PANEL CONNECTOR**
(71) Applicant: **Atomic Design Inc.**, Lititz, PA (US)
(72) Inventor: **Thomas McPhillips**, Manheim, PA (US)
(73) Assignee: **Atomic Design Inc.**, Lititz, PA (US)
(**) Term: **15 Years**

4,807,837 A 2/1989 Gawlik et al.
5,036,641 A 8/1991 Viry
5,061,018 A 10/1991 Pederson et al.
(Continued)

FOREIGN PATENT DOCUMENTS

AU 2012261483 A1 6/2013
CA 1263233 A1 11/1989
(Continued)

(21) Appl. No.: **29/530,795**
(22) Filed: **Jun. 19, 2015**
(51) **LOC (10) Cl.** **20-99**
(52) **U.S. Cl.**
USPC **D20/99**
(58) **Field of Classification Search**
USPC D20/10, 19, 43, 99; D8/349
CPC . G09F 3/0395; G09F 7/18; G09F 7/20; G09F
2007/1847; G09F 2007/1856; G09F
2007/1873; G09F 2007/1891; A47B
11/00; A47F 5/10; A47F 5/0823; A45B
25/12; F16M 11/10
See application file for complete search history.

OTHER PUBLICATIONS

Installation Instructions for Pillow Wall, by Atomic, www.atomicrental.tv, (717-626-4408), dated Nov. 25, 2013, 1 page.
(Continued)

Primary Examiner — Mary Ann Calabrese
(74) *Attorney, Agent, or Firm* — Barley Snyder

(57) **CLAIM**

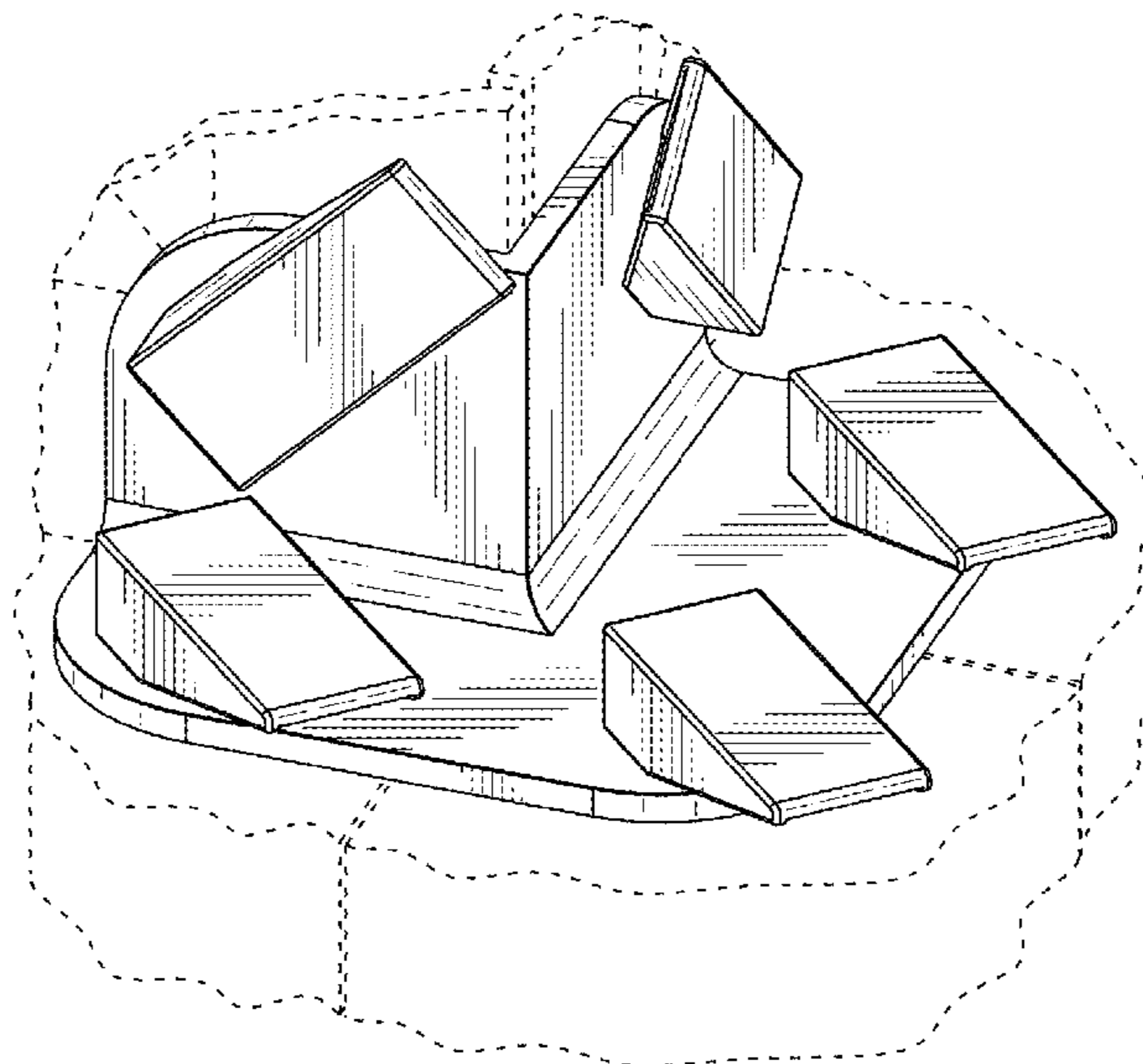
The ornamental design for a base panel connector, as shown and described.

DESCRIPTION

FIG. 1 is a top, rear and right side perspective view of a base panel connector, showing the new design; FIG. 2 is a top, front and left side perspective view thereof; FIG. 3 is a top, front and right side perspective view thereof; FIG. 4 is a right side elevation view thereof; FIG. 5 is a left side elevation view thereof; FIG. 6 is a top plan view thereof; FIG. 7 is a bottom plan view thereof; FIG. 8 is a front elevation view thereof; FIG. 9 is a rear elevation view thereof; and, FIG. 10 is a bottom, front and left side perspective view thereof.
The dashed lines in Figures represent environment for illustrative purposes and do not constitute part of the claimed design.

(56) **References Cited**
U.S. PATENT DOCUMENTS
1,525,515 A 2/1925 Socha
2,692,689 A 10/1954 Wynne, Sr.
2,970,396 A 2/1961 Worrell
3,426,913 A 2/1969 Abatiell, Jr.
3,537,199 A 11/1970 Lawson
3,571,999 A 3/1971 Downing
3,593,474 A 7/1971 Neels
3,596,701 A 8/1971 Cowan
3,936,111 A 2/1976 Mazzucconi
4,001,987 A 1/1977 Coulthard
4,114,160 A 9/1978 Verini

1 Claim, 5 Drawing Sheets



(56)

References Cited

U.S. PATENT DOCUMENTS

5,320,322 A * 6/1994 Williams G09F 7/18
116/173

5,344,115 A 9/1994 Mayne et al.

5,374,024 A * 12/1994 Williams G09F 7/18
116/173

5,478,041 A 12/1995 Mayne

5,671,852 A 9/1997 Maharg

5,722,477 A 3/1998 Richter et al.

5,993,287 A 11/1999 Melashenko et al.

6,340,046 B1 1/2002 Basseches

6,370,803 B1 4/2002 Burquest

6,419,332 B1 7/2002 Caldwell, Jr. et al.

6,698,124 B2 * 3/2004 Kump A47F 5/0823
248/220.41

6,702,640 B1 3/2004 Park

6,718,709 B2 4/2004 Koutras et al.

6,758,454 B2 * 7/2004 Smed F16M 11/10
248/278.1

6,789,774 B2 * 9/2004 Painchaud A45B 25/12
248/229.14

6,983,853 B1 1/2006 Fickett

D618,282 S 6/2010 Kosir

7,874,090 B2 1/2011 Flagg

D634,745 S 3/2011 Park et al.

8,069,632 B2 12/2011 Li

8,083,189 B2 12/2011 Sun et al.

D708,504 S 7/2014 Kaplan

D709,203 S 7/2014 Shikata

D723,624 S 3/2015 McPhillips

D736,858 S 8/2015 McPhillips

D756,463 S * 5/2016 McPhillips D20/42

2002/0036908 A1 3/2002 Pederson

2002/0154789 A1 10/2002 Rodgers

2003/0000904 A1 1/2003 Lung et al.

2003/0192271 A1 10/2003 Koutras et al.

2004/0035987 A1 2/2004 Oddsen, Jr.

2004/0089782 A1 5/2004 Eliason et al.

2007/0107853 A1 5/2007 Hsieh

2009/0134285 A1 5/2009 Huang

2009/0196034 A1 8/2009 Gherardini et al.

2010/0083544 A1 * 4/2010 Shirley G09F 1/10
40/584

2012/0169999 A1 7/2012 Cavendish et al.

2014/0183309 A1 7/2014 Pasho

2014/0197123 A1 7/2014 McPhillips

2014/0197124 A1 * 7/2014 McPhillips G09F 19/228
211/195

2016/0367050 A1 * 12/2016 McPhillips G09F 15/0068

FOREIGN PATENT DOCUMENTS

DE 8517546.3 U1 1/1985

DE 29820223 U1 2/1999

DE 10138986 A 3/2003

DE 102011015351 A1 10/2012

EP 1995508 A2 11/2008

FR 2851442 A1 2/2003

OTHER PUBLICATIONS

PCT Notification, International Search Report and Written Opinion, International Application No. PCT/US2014/011055, dated Jun. 2, 2014, 10 pages.

PCT Notification, International Search Report, International Application No. PCT/US2014/061074, dated Feb. 25, 2015, 12 pages.

PCT Notification and International Preliminary Report on Patentability, Application No. PCT/US2014/011055, dated Jul. 14, 2015, 7 pages.

PCT Notification, International Search Report and Written Opinion of the International Search Authority, Intl. App. No. PCT/US2015/031782, dated Aug. 14, 2015, 11 pages.

* cited by examiner

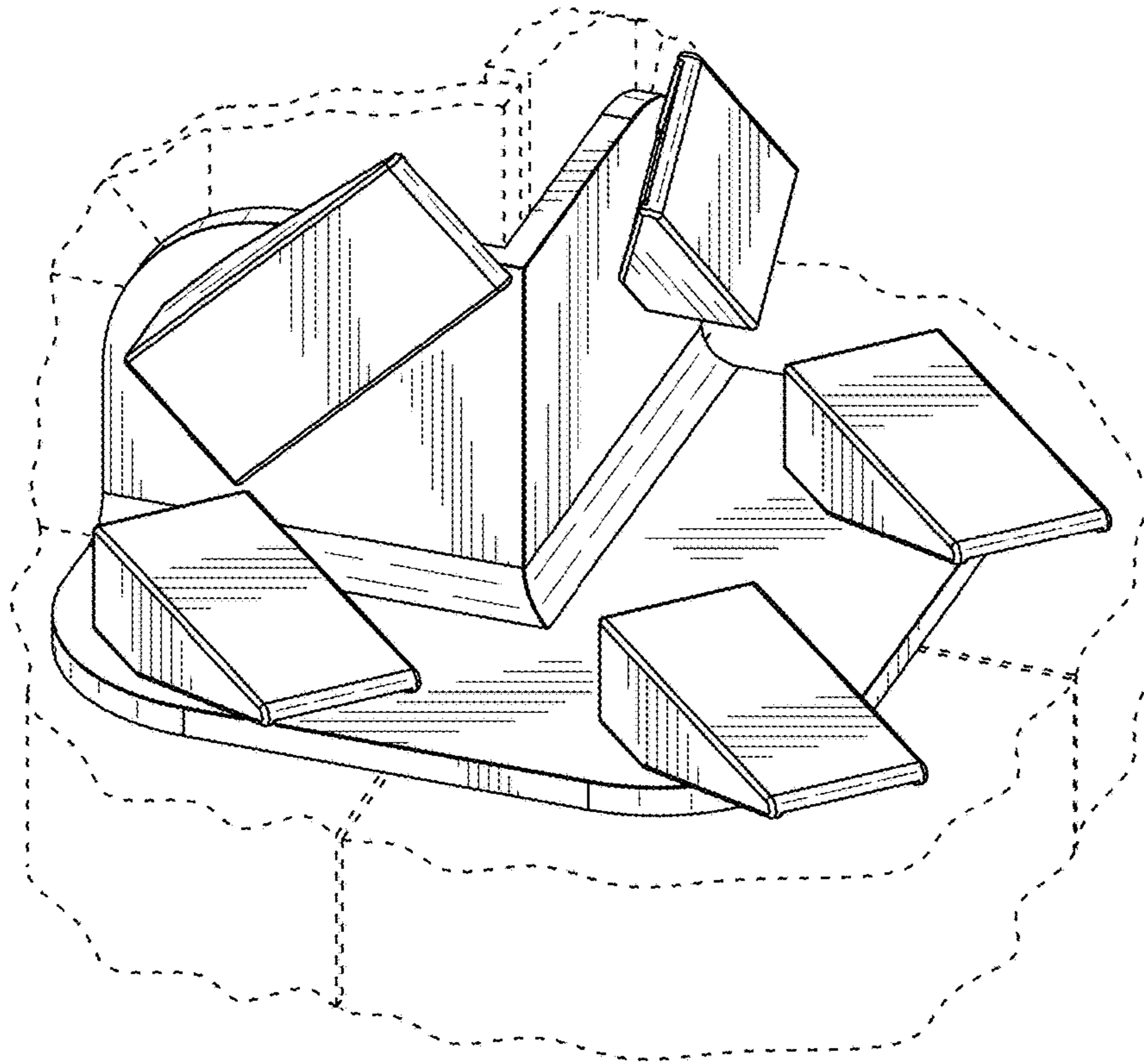


FIG. 1

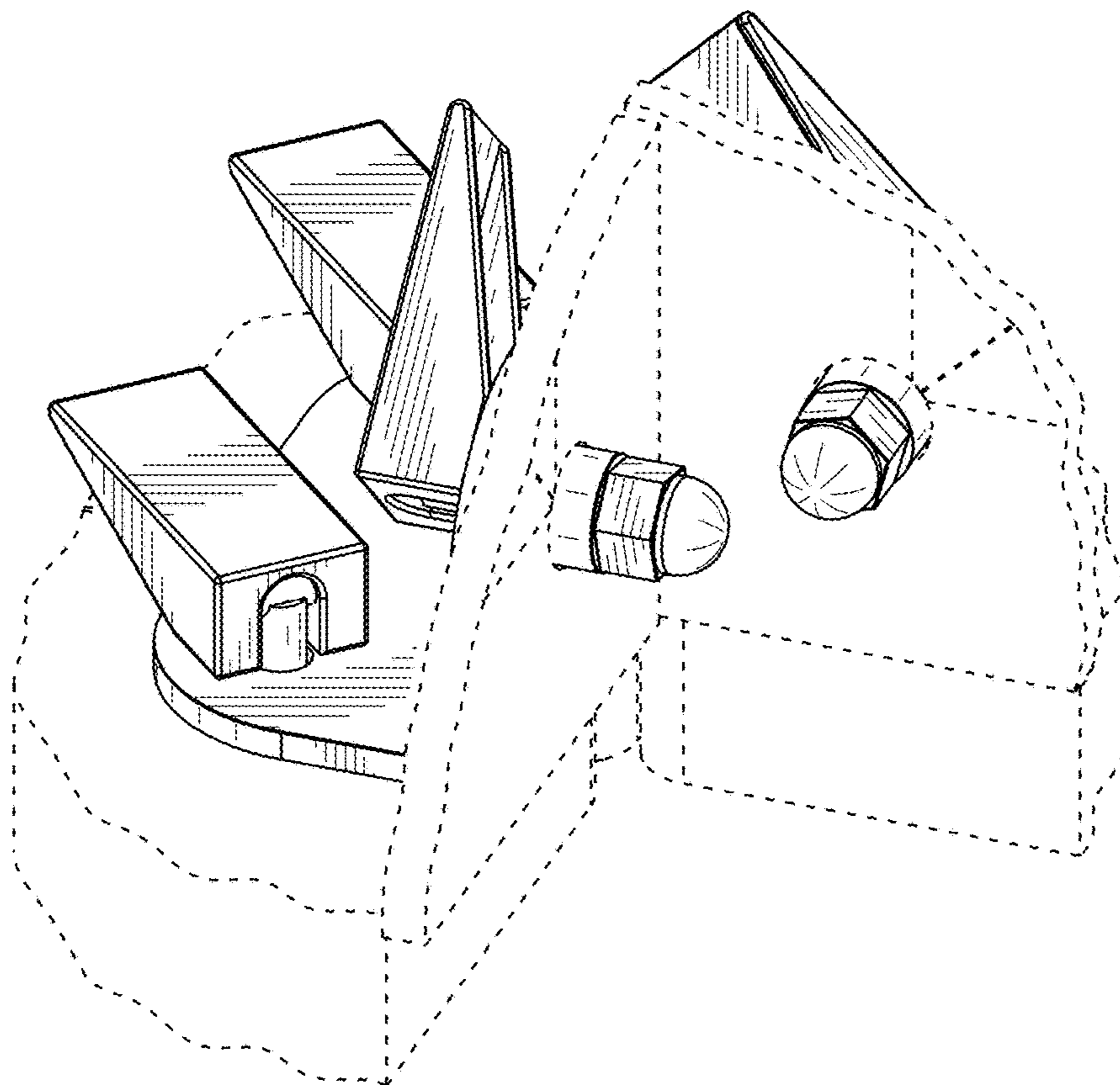


FIG. 2

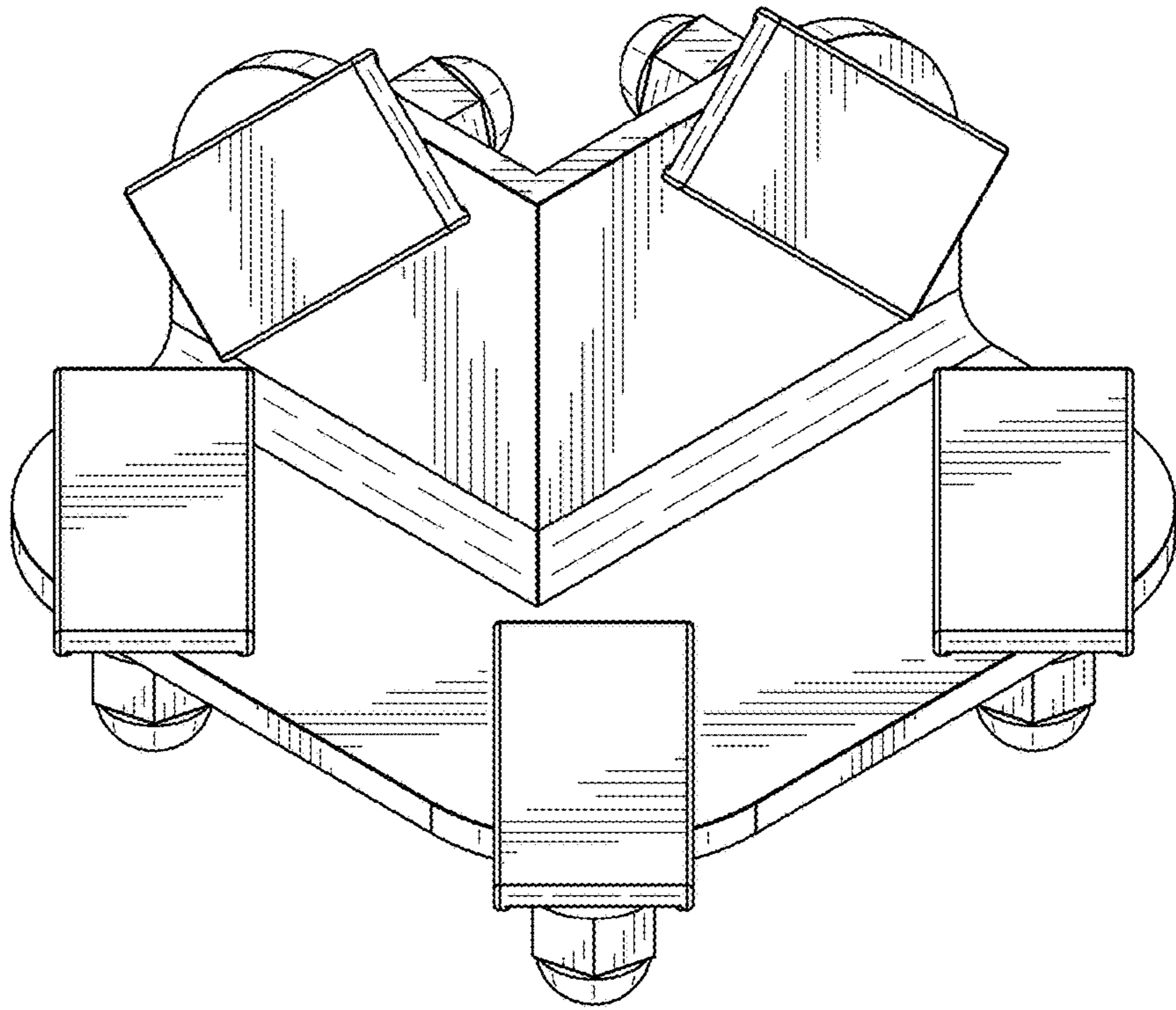


FIG. 3

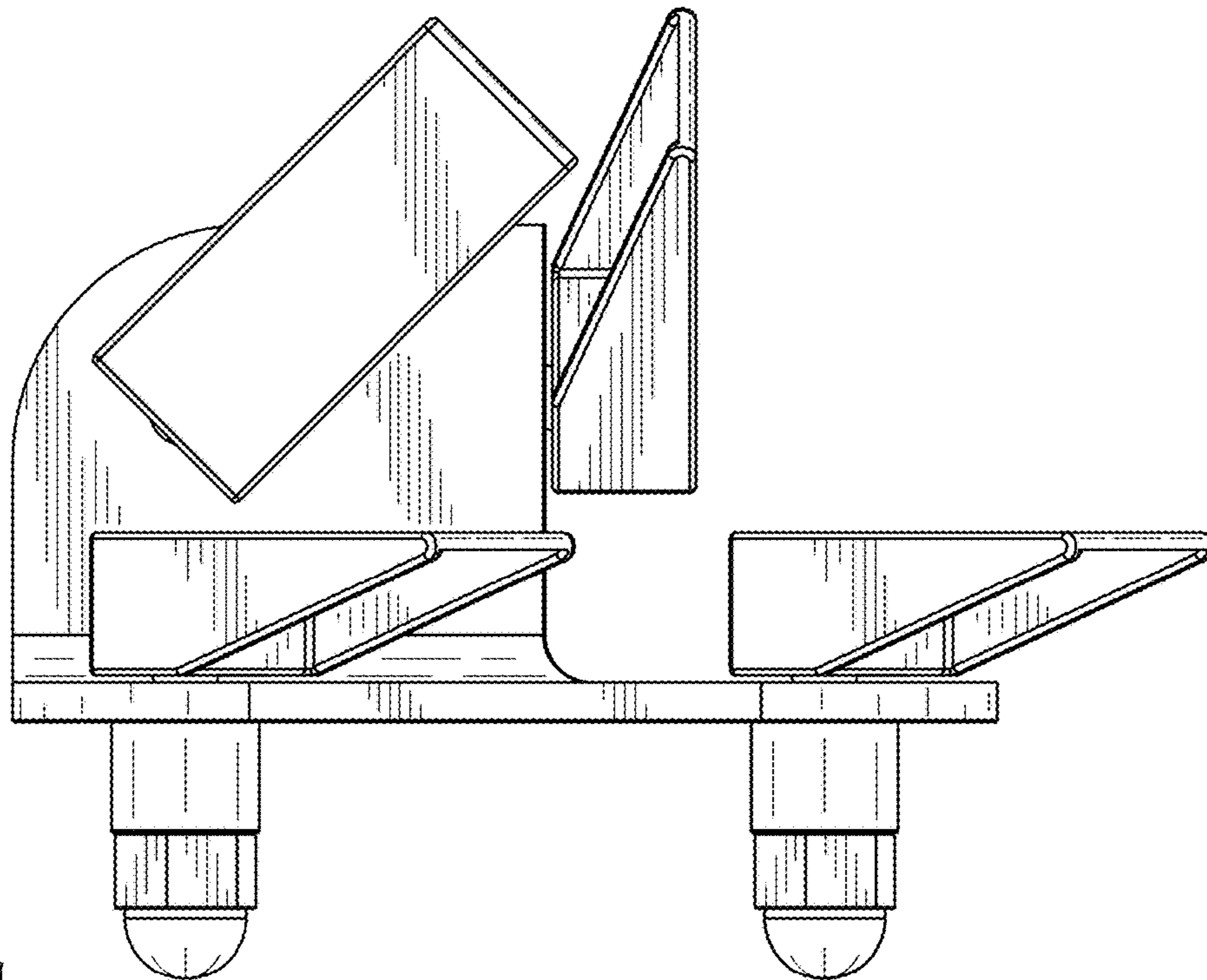


FIG. 4

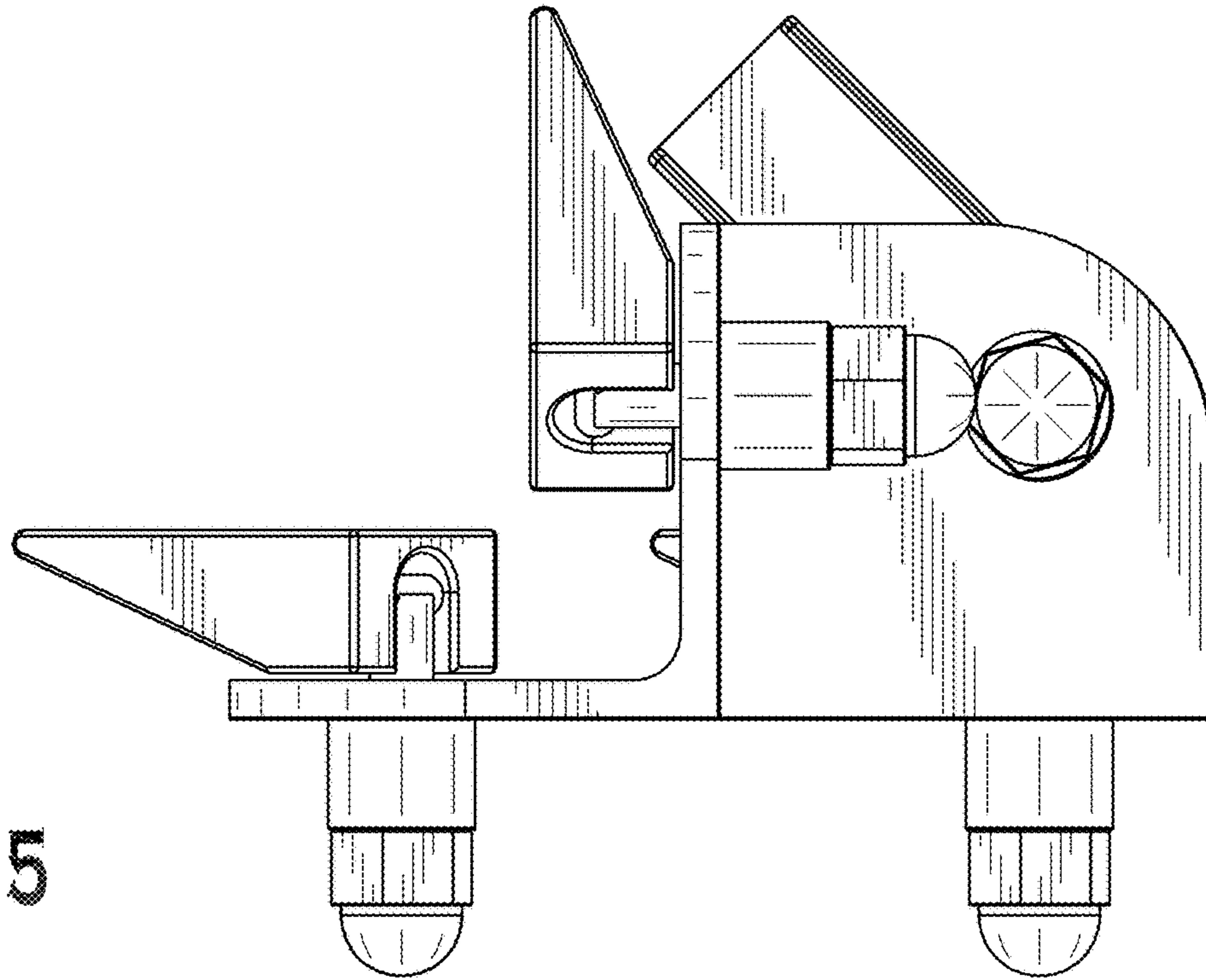


FIG. 5

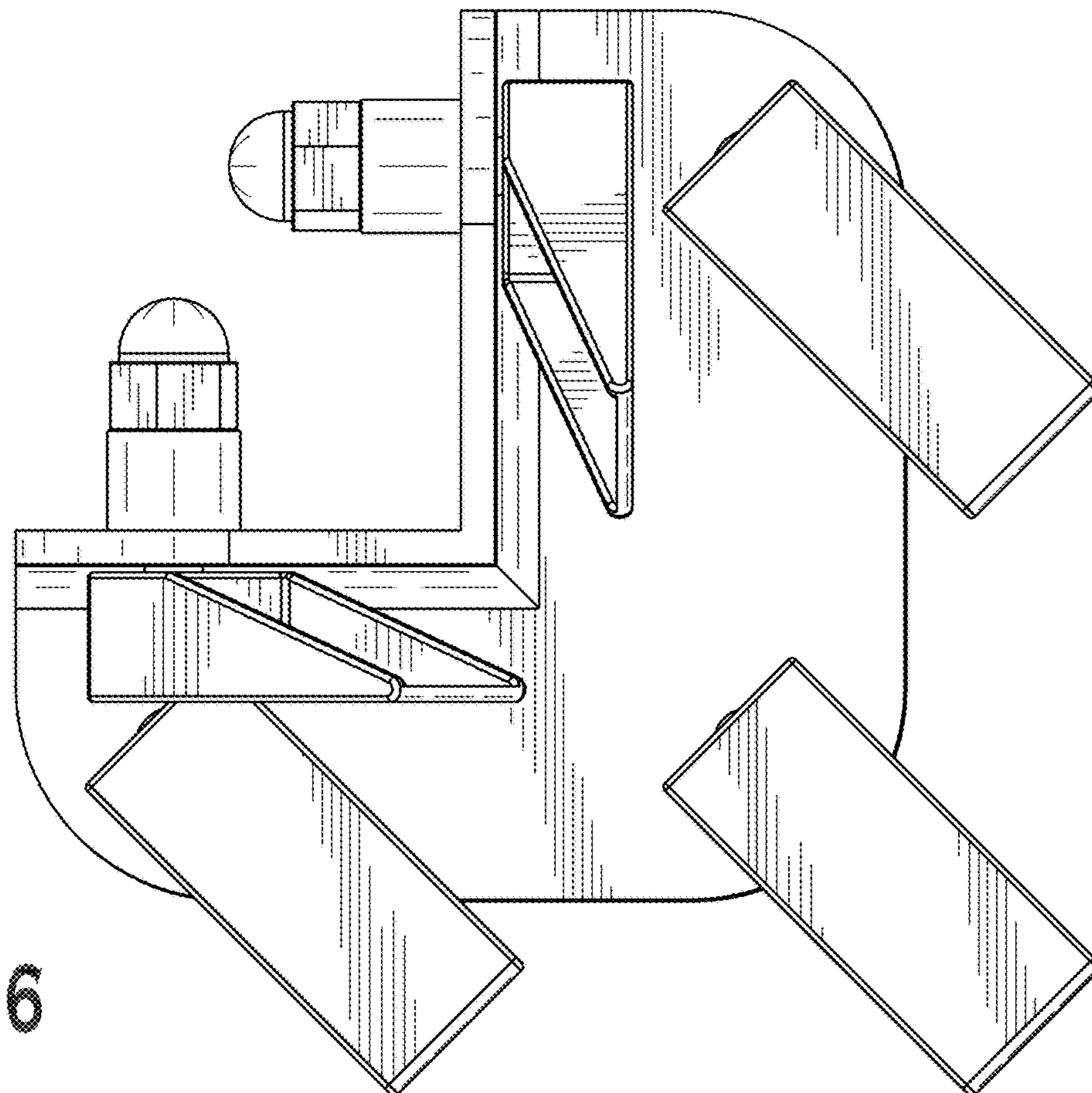


FIG. 6

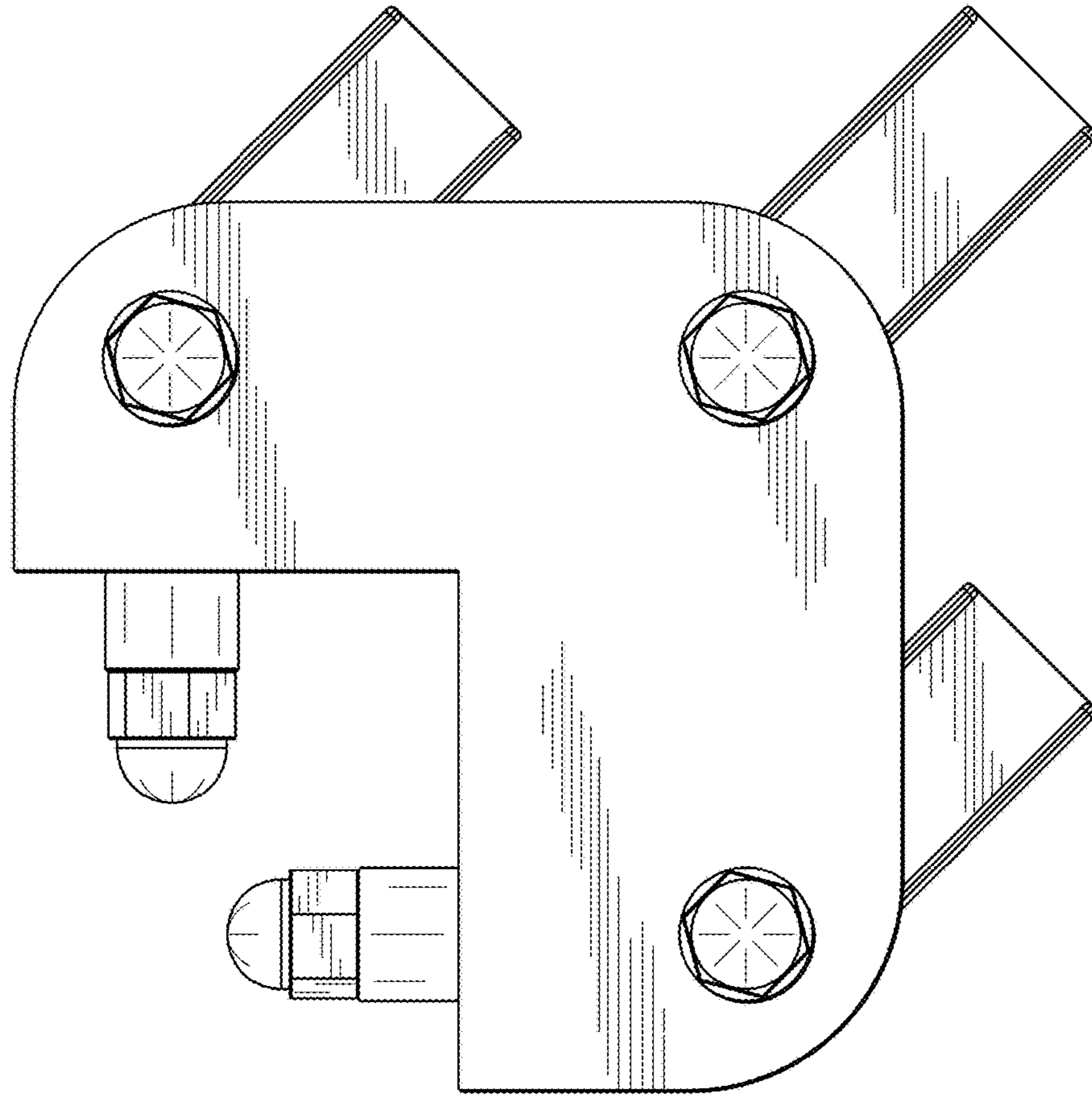


FIG. 7

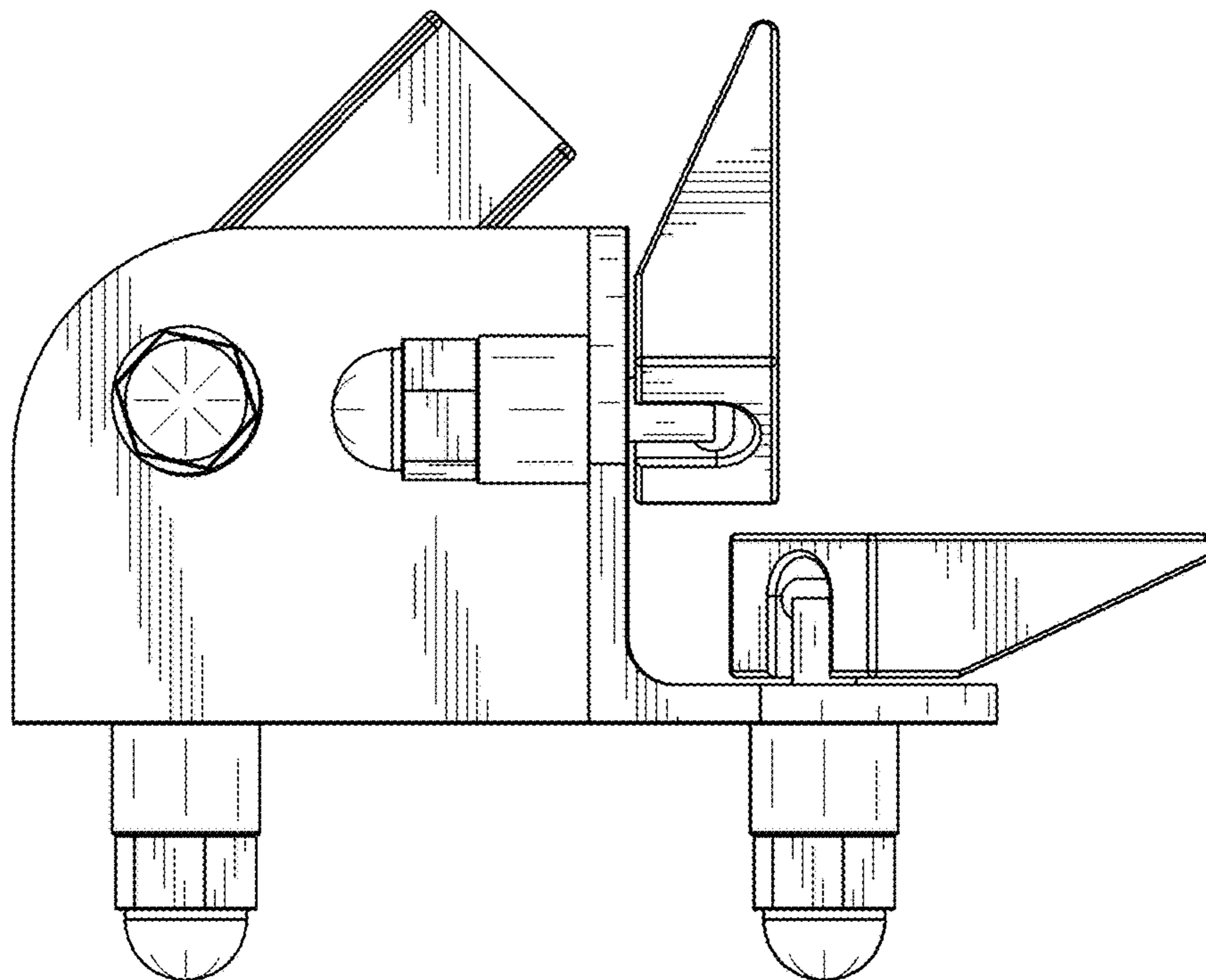


FIG. 8

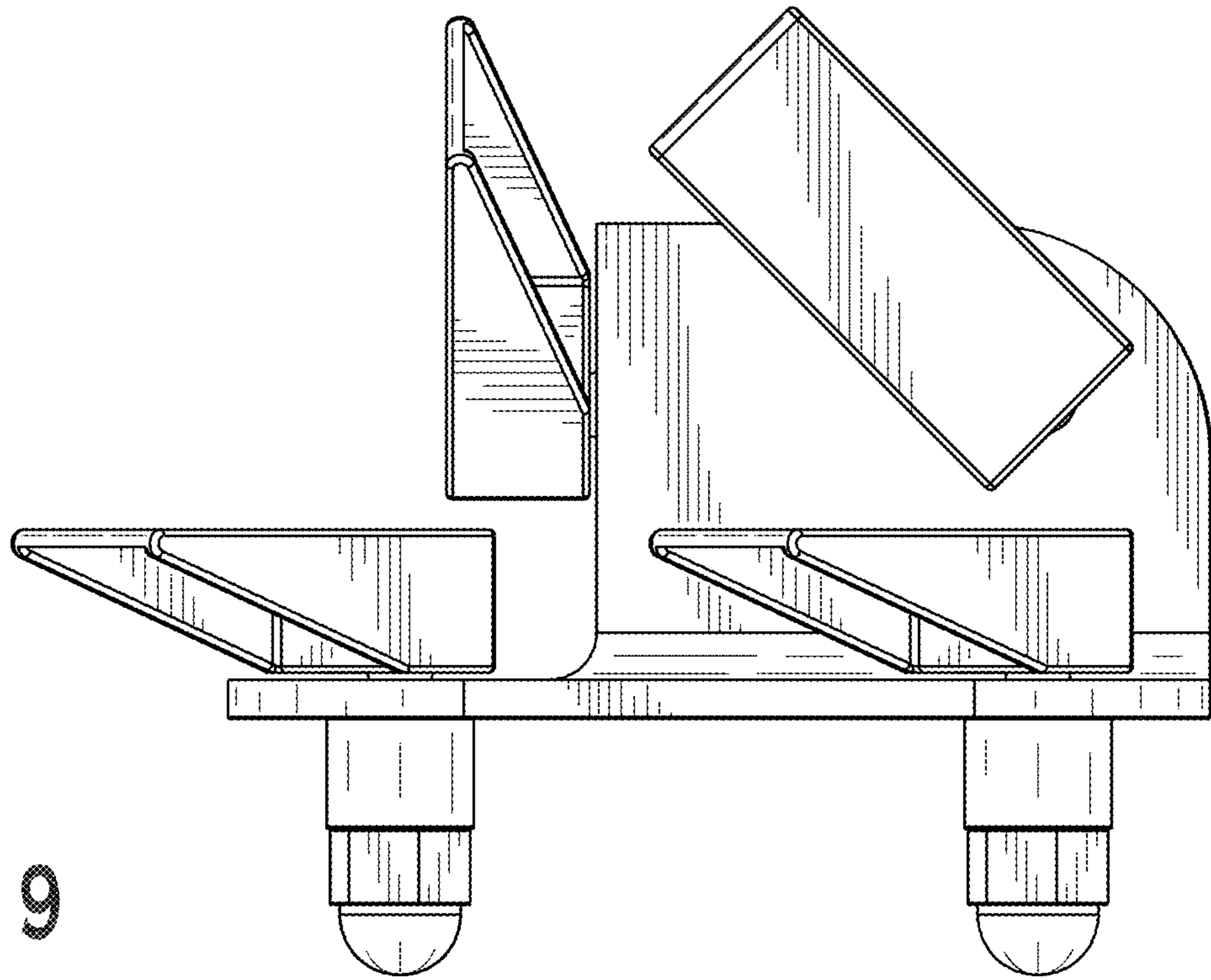


FIG. 9

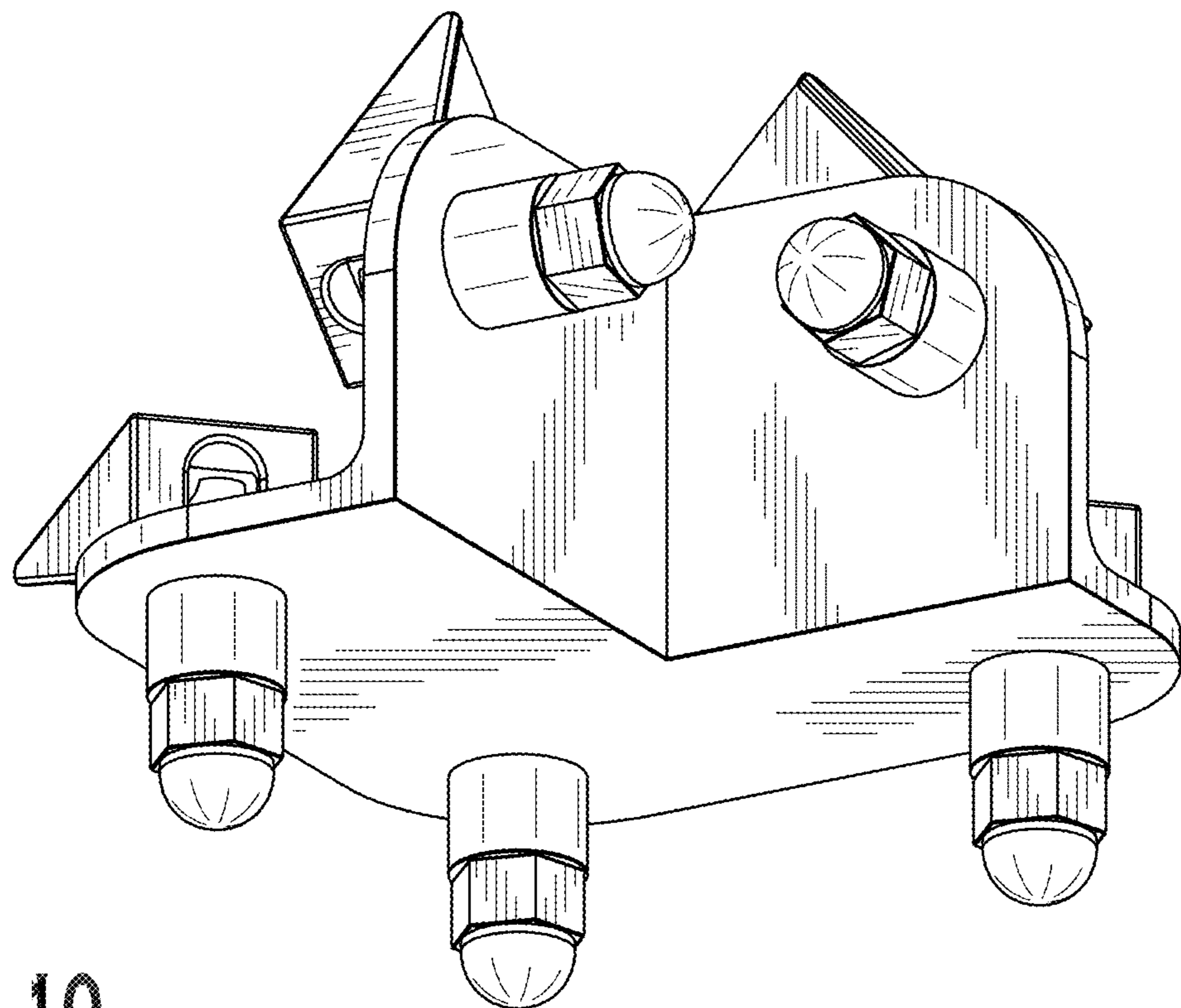


FIG. 10