



US00D800838S

(12) **United States Design Patent** (10) **Patent No.:** **US D800,838 S**
McPhillips (45) **Date of Patent:** **** Oct. 24, 2017**

(54) **BASE PANEL CONNECTOR**
(71) Applicant: **Atomic Design Inc.**, Lititz, PA (US)
(72) Inventor: **Thomas McPhillips**, Manheim, PA (US)

5,036,641 A 8/1991 Viry
5,061,018 A 10/1991 Pederson et al.
5,320,322 A * 6/1994 Williams G09F 7/18
116/173

(Continued)

FOREIGN PATENT DOCUMENTS

(73) Assignee: **Atomic Design Inc.**, Lititz, PA (US)
(**) Term: **15 Years**

AU 2012261483 A1 6/2013
CA 1263233 A1 11/1989

(Continued)

(21) Appl. No.: **29/530,794**

OTHER PUBLICATIONS

(22) Filed: **Jun. 19, 2015**

Installation Instructions for Pillow Wall, by Atomic, www.atomicrental.tv, dated Nov. 25, 2013, 1 page.

(51) **LOC (10) Cl.** **20-99**

(Continued)

(52) **U.S. Cl.**
USPC **D20/99**

(58) **Field of Classification Search**
USPC D20/10, 19, 43, 99; D8/349
CPC . G09F 3/0395; G09F 7/18; G09F 7/20; G09F
2007/1847; G09F 2007/1856; G09F
2007/1873; G09F 2007/1891; A47B
11/00; A47F 5/10; A47F 5/0823; A45B
25/12; F16M 11/10

Primary Examiner — Mary Ann Calabrese
(74) *Attorney, Agent, or Firm* — Barley Snyder

(57) **CLAIM**

The ornamental design for a base panel connector, as shown and described.

DESCRIPTION

See application file for complete search history.

FIG. 1 is a top, front and right side perspective view of a base panel connector, showing the new design; FIG. 2 is a top, rear, and left side perspective view thereof; FIG. 3 is a top, front, right side perspective view thereof; FIG. 4 is a front elevation view thereof; FIG. 5 is a rear elevation view thereof; FIG. 6 is a top plan view thereof; FIG. 7 is a bottom plan view thereof; FIG. 8 is a left side elevation view thereof; FIG. 9 is a right side elevation view thereof; and, FIG. 10 is a bottom, rear and left side perspective view thereof.

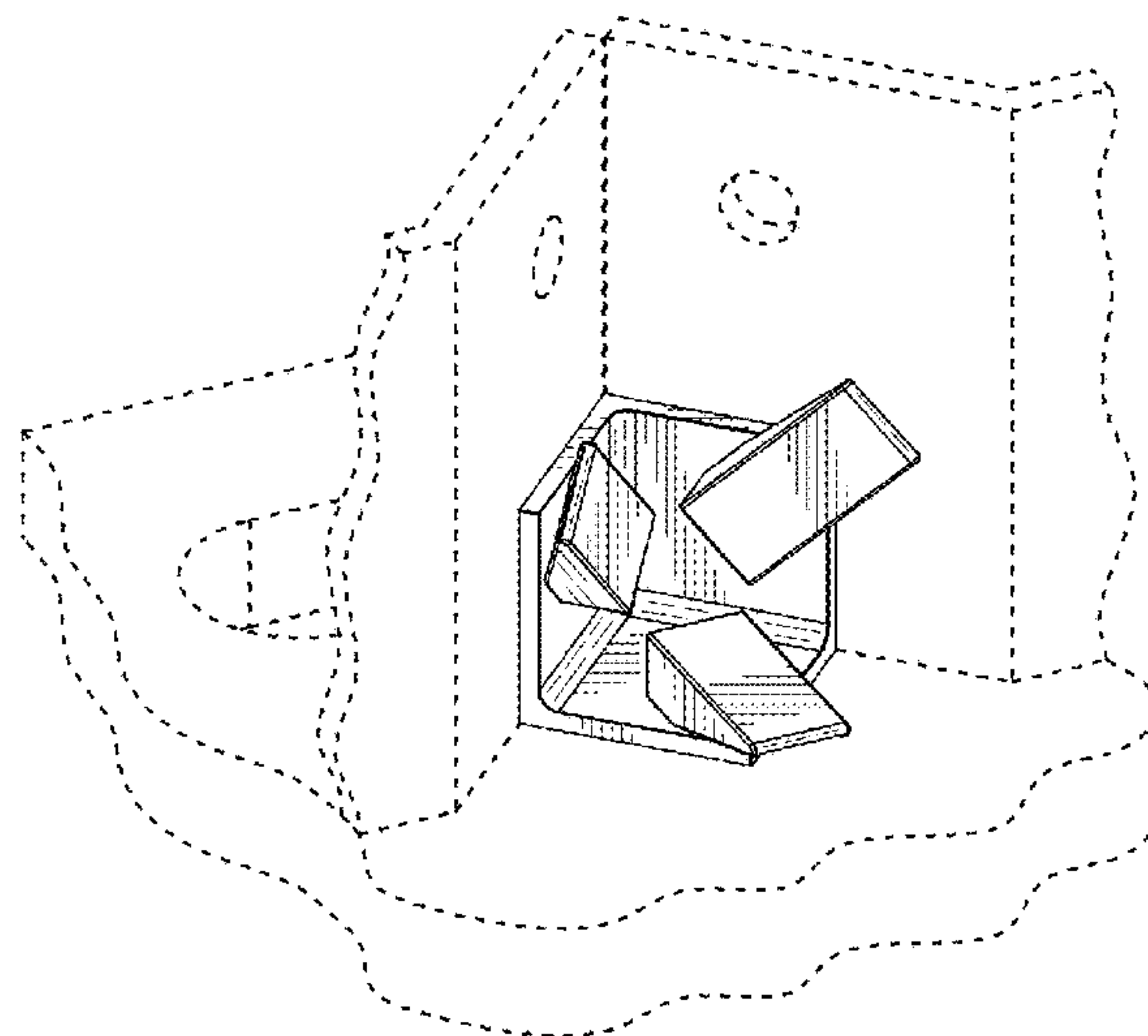
The dashed lines in Figures represent environment for illustrative purposes and do not constitute part of the claimed design.

(56) **References Cited**

U.S. PATENT DOCUMENTS

1,525,515 A 2/1925 Socha
2,692,689 A 10/1954 Wynne, Sr.
2,970,396 A 2/1961 Worrell
3,426,913 A 2/1969 Abatiell, Jr.
3,537,199 A 11/1970 Lawson
3,571,999 A 3/1971 Downing
3,593,474 A 7/1971 Neels
3,596,701 A 8/1971 Cowan
3,936,111 A 2/1976 Mazzucconi
4,001,987 A 1/1977 Coulthard
4,114,160 A 9/1978 Verini
4,807,837 A 2/1989 Gawlik et al.

1 Claim, 4 Drawing Sheets



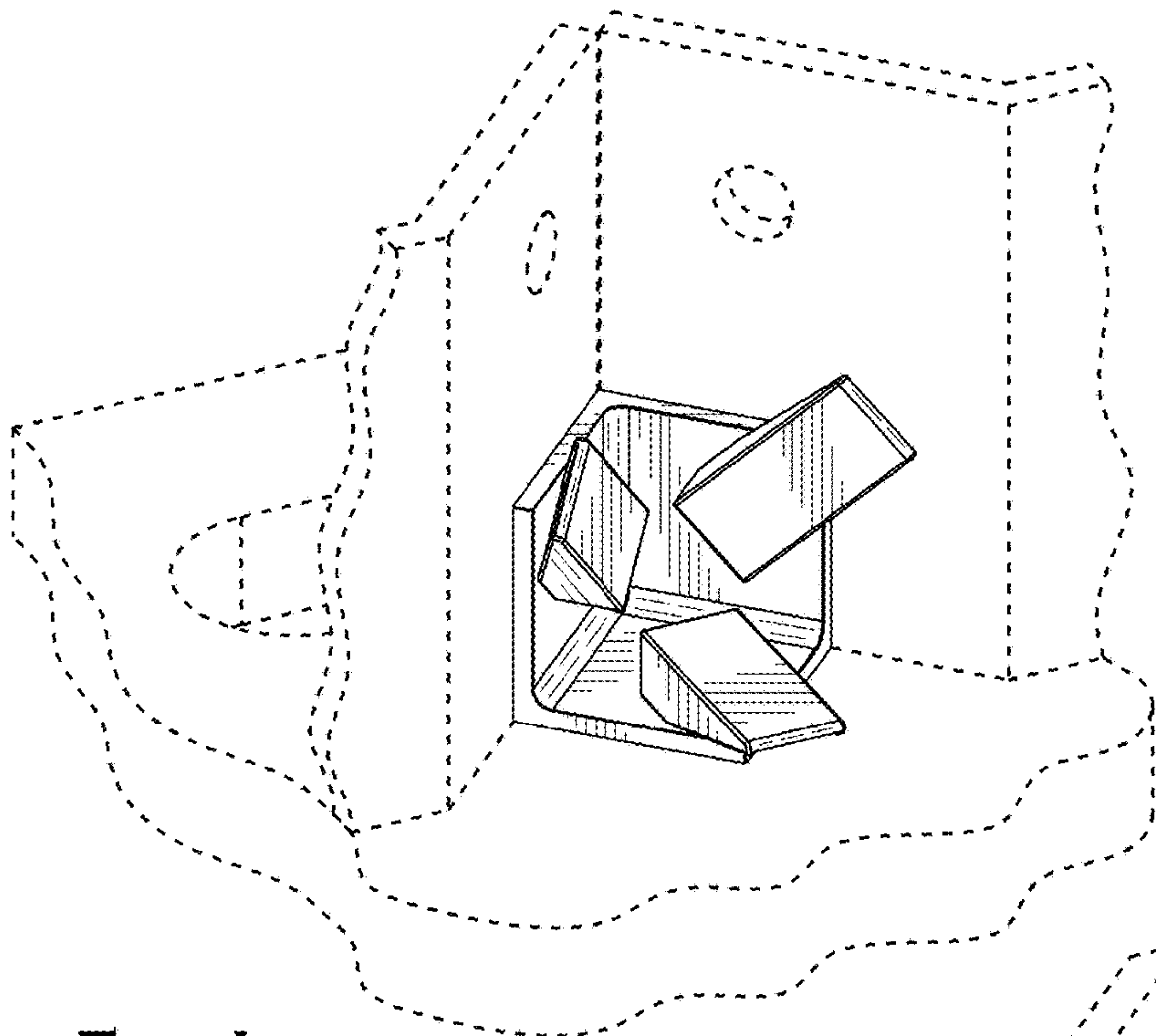


FIG. 1

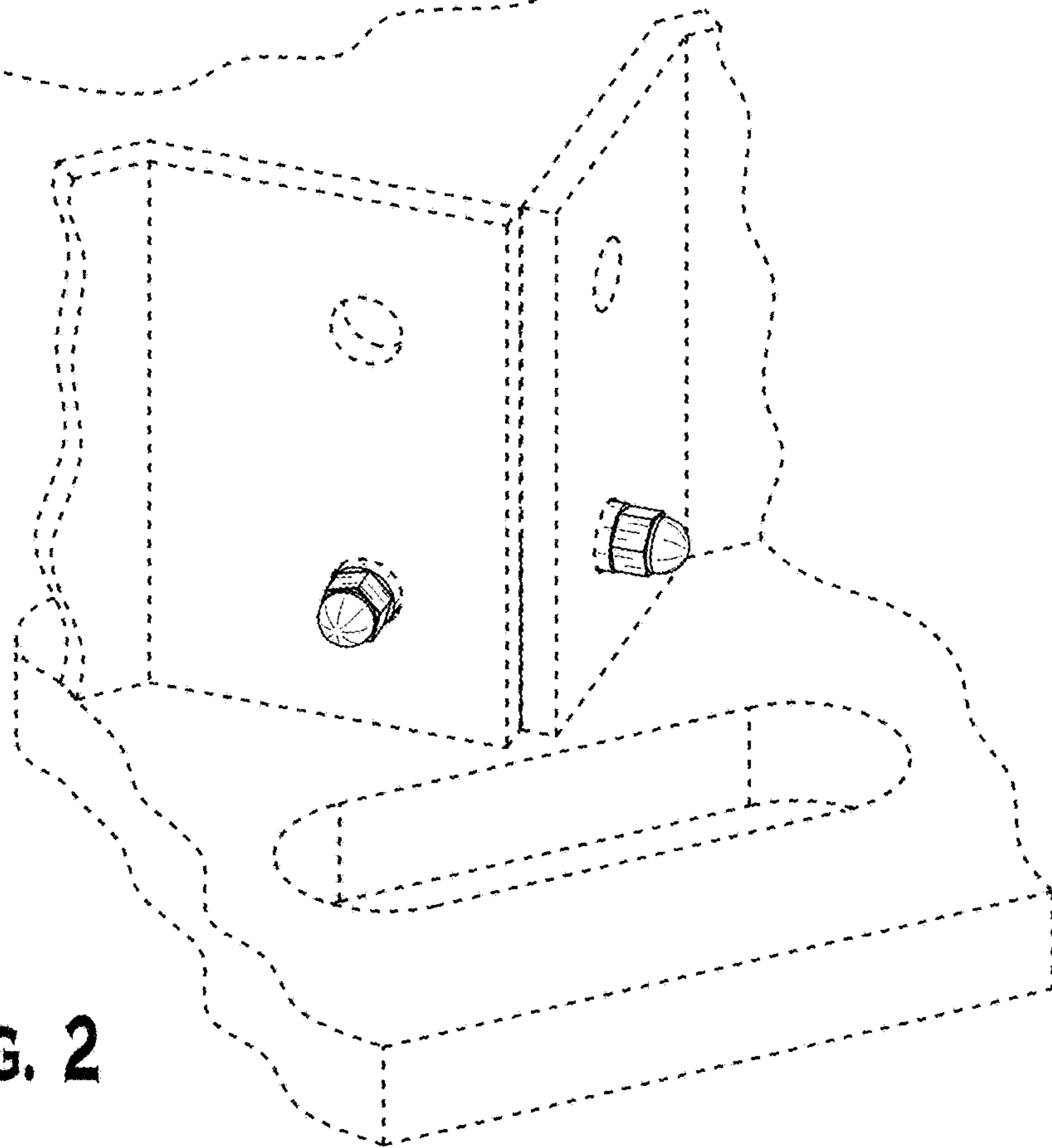


FIG. 2

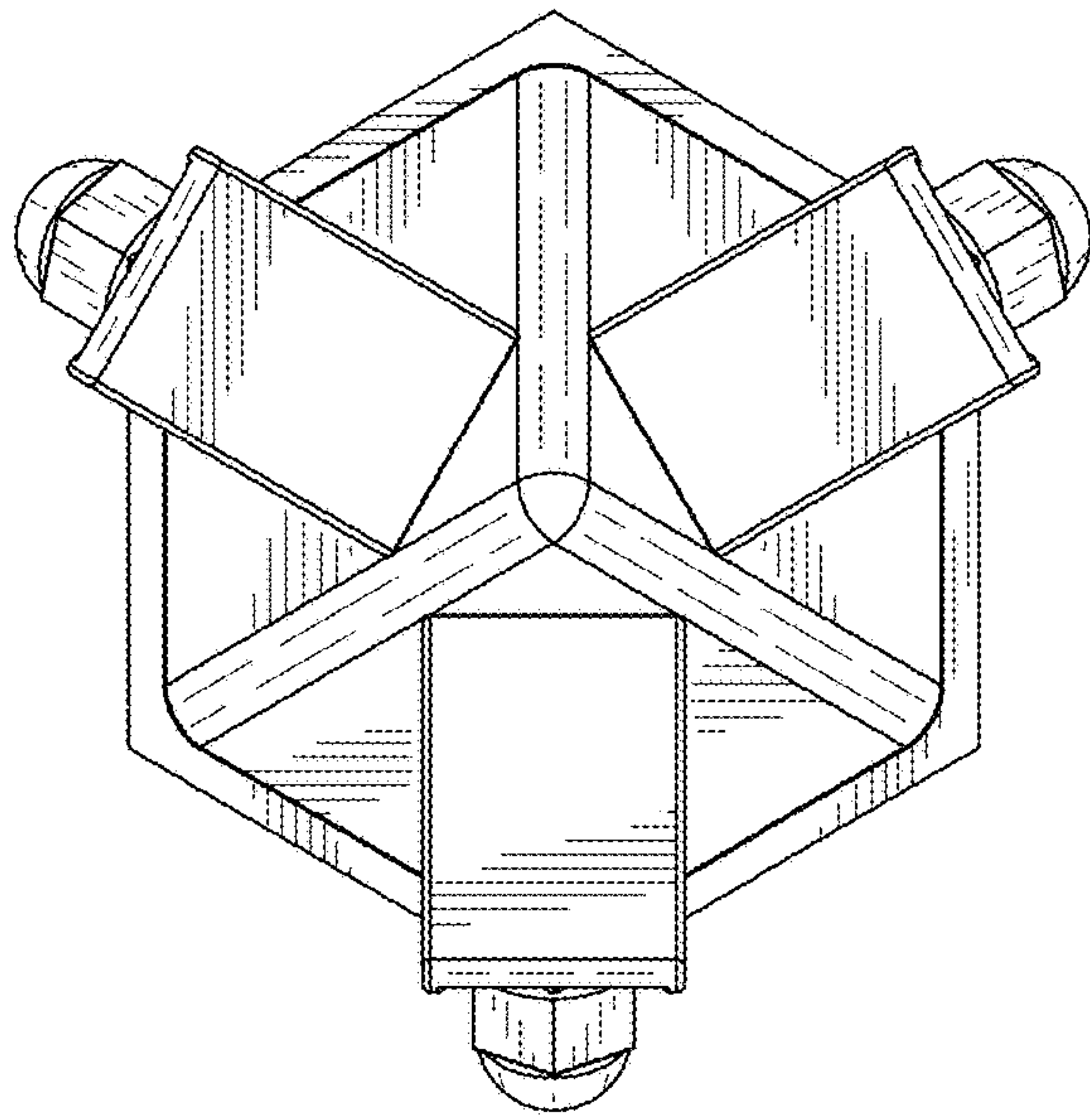


FIG. 3

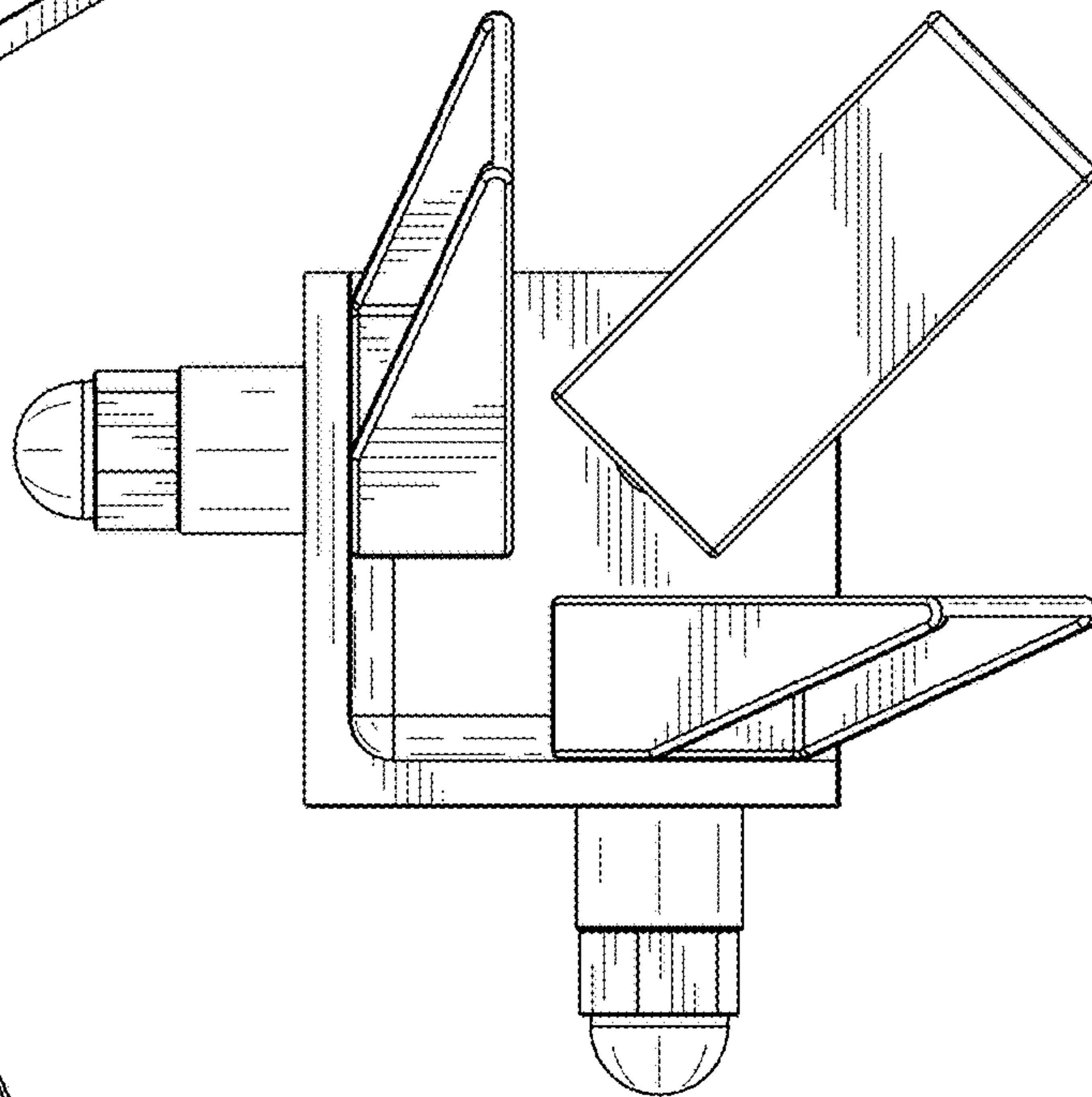


FIG. 4

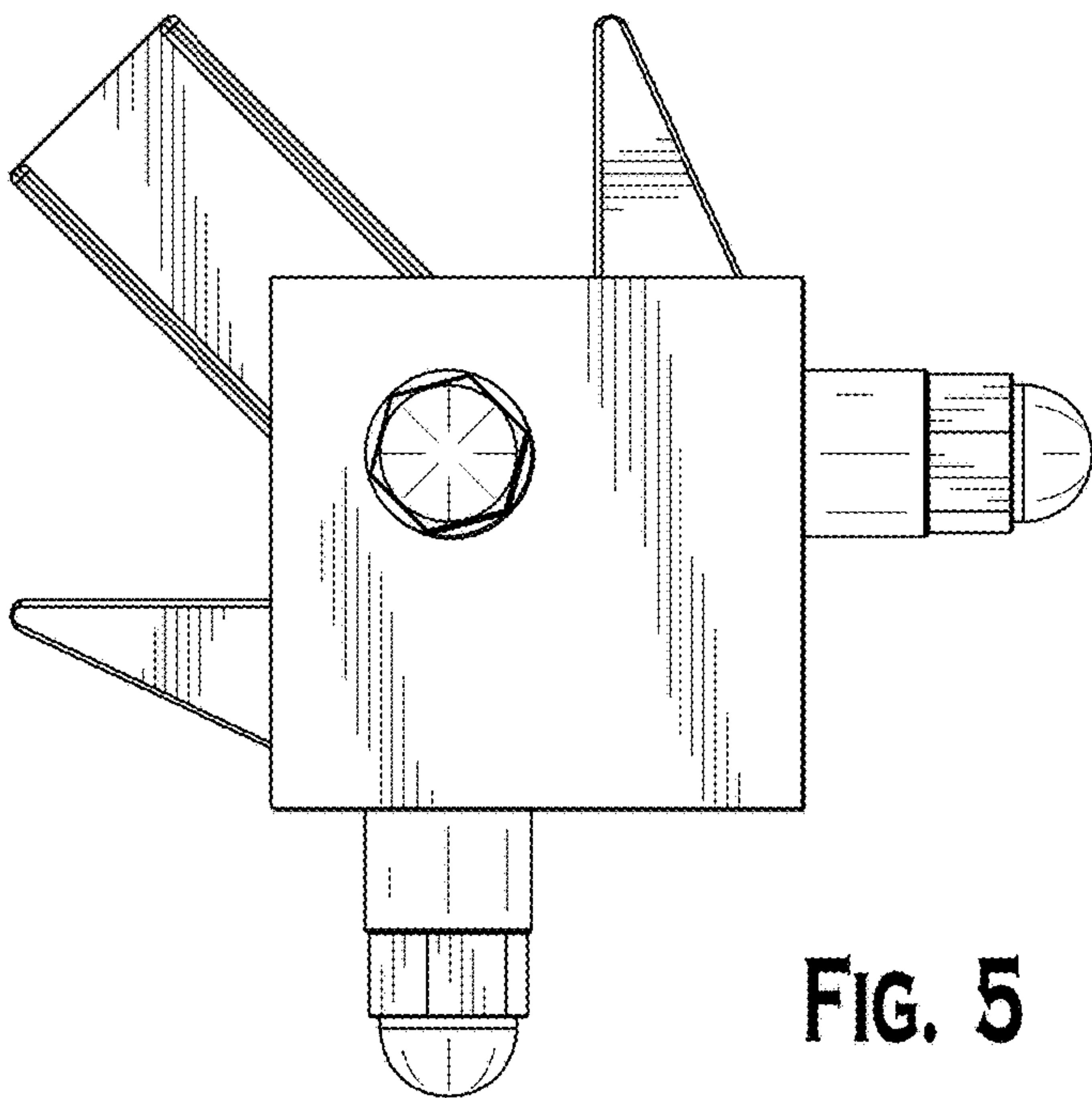


FIG. 5

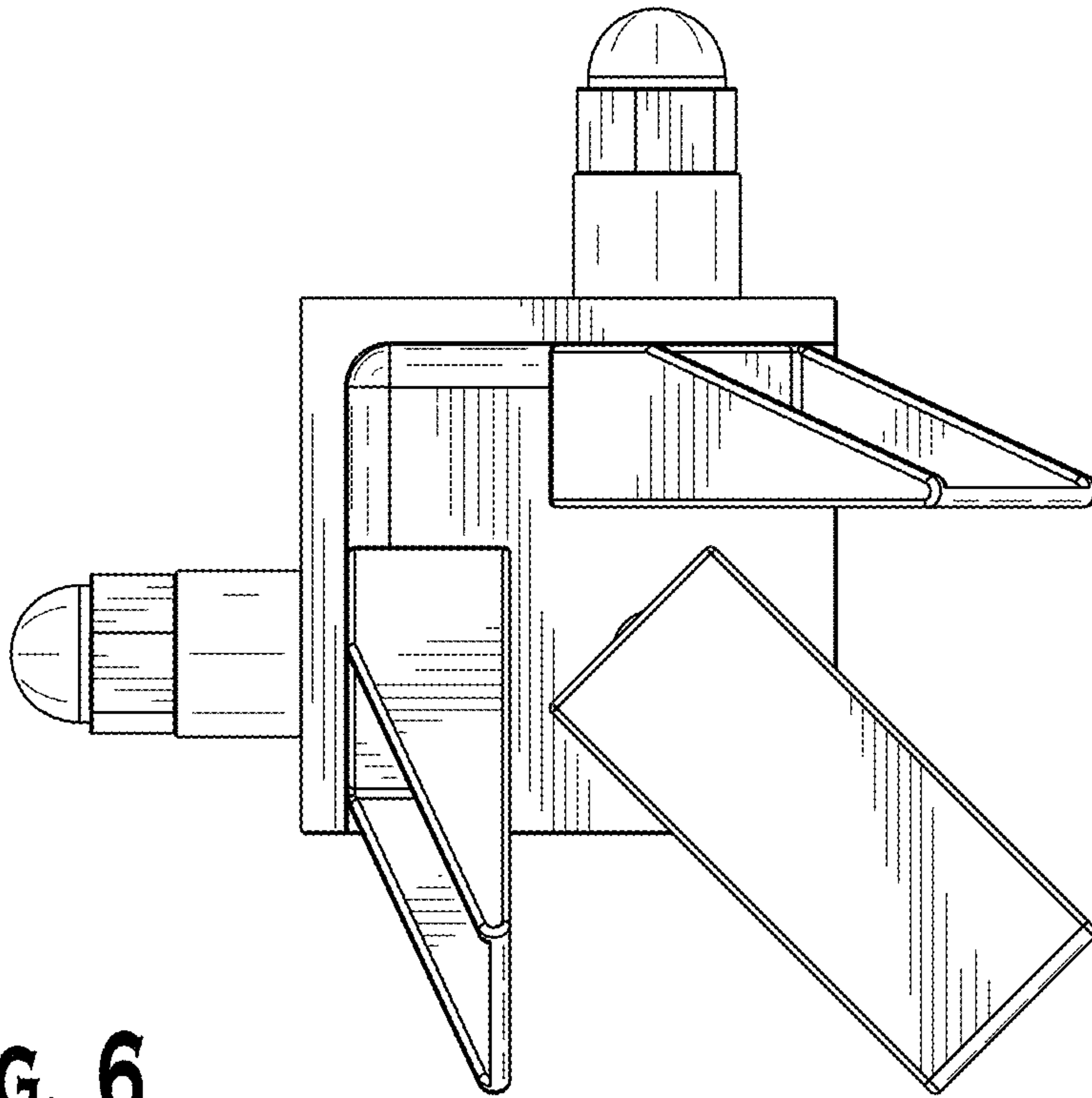


FIG. 6

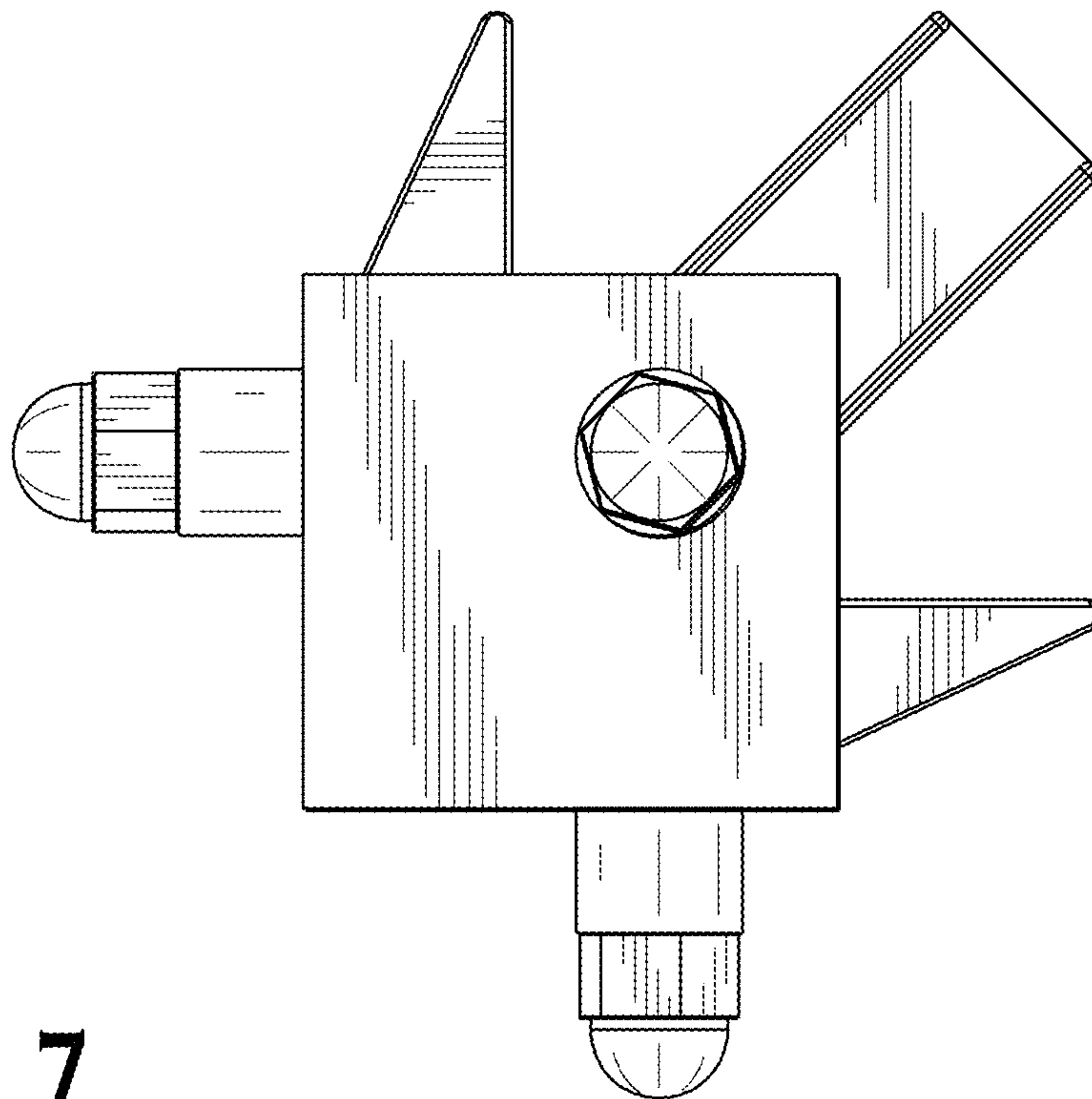


FIG. 7

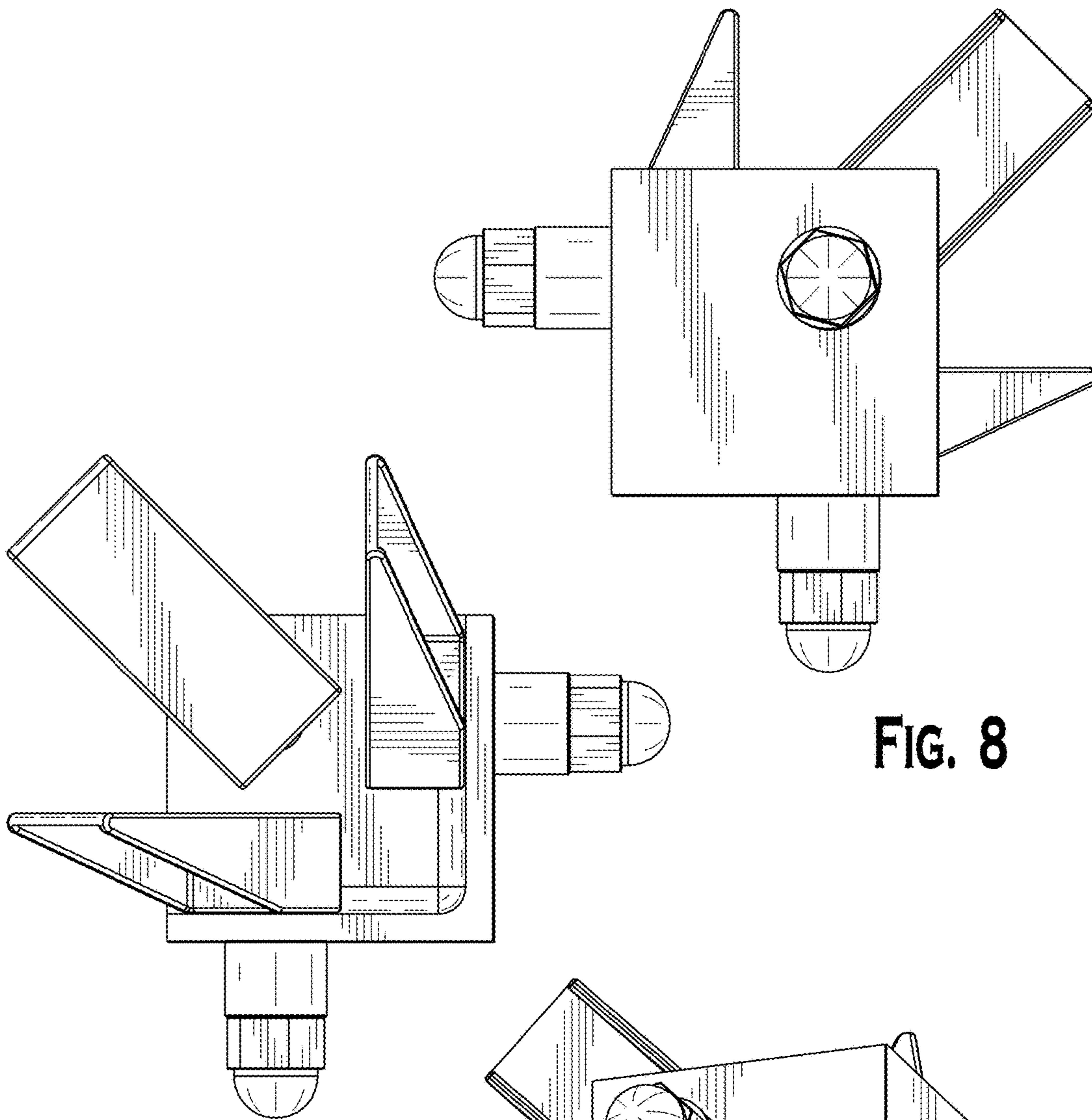


FIG. 8

FIG. 9

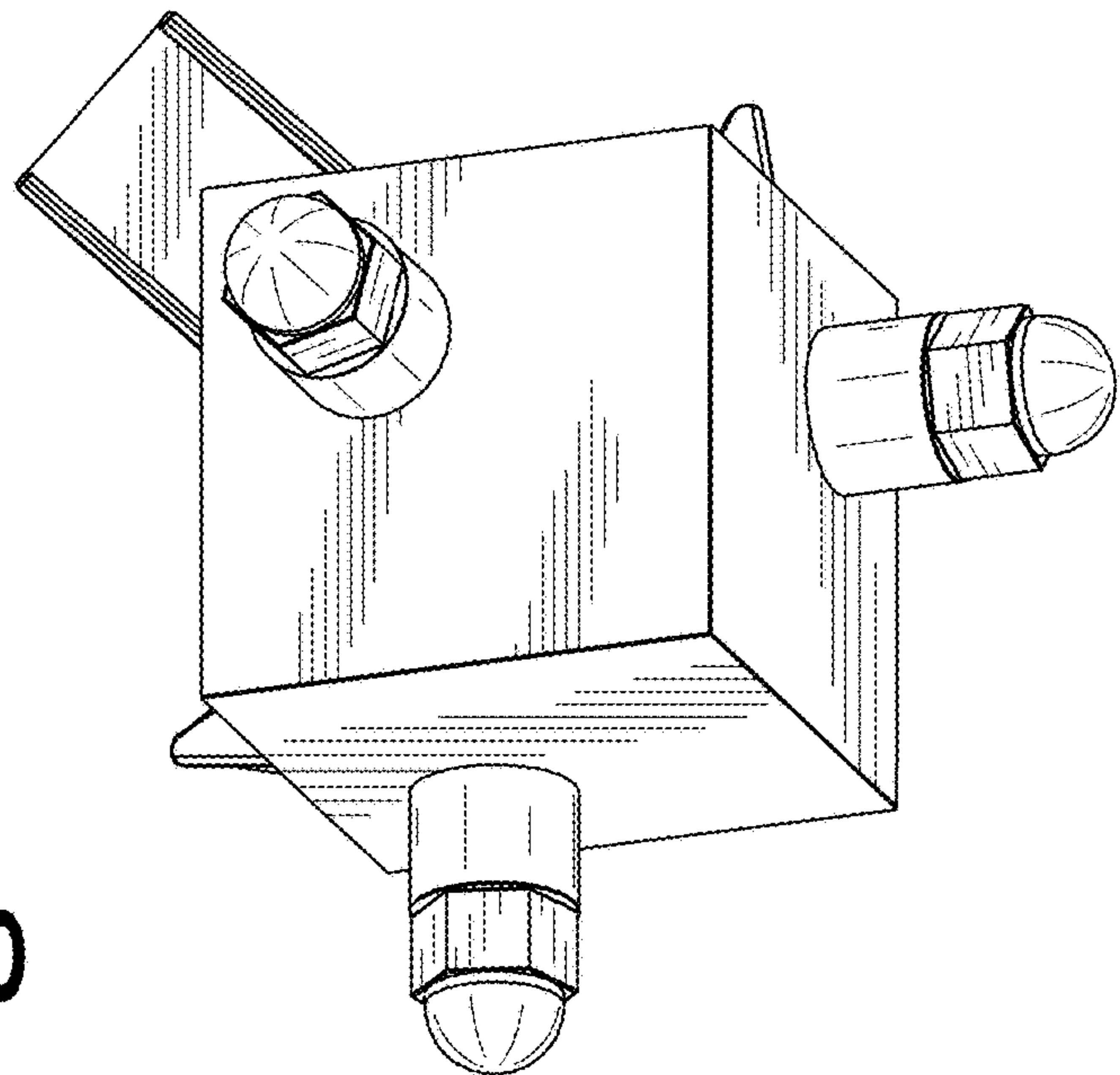


FIG. 10