



US00D800836S

(12) **United States Design Patent**  
**Ballard**

(10) **Patent No.:** **US D800,836 S**

(45) **Date of Patent:** **\*\* Oct. 24, 2017**

(54) **NOTEPAD HOLDER**

(71) Applicant: **Robert Ballard**, Barboursville, WV  
(US)

(72) Inventor: **Robert Ballard**, Barboursville, WV  
(US)

(\*\*) Term: **15 Years**

(21) Appl. No.: **29/603,096**

(22) Filed: **May 5, 2017**

(51) **LOC (10) Cl.** ..... **19-02**

(52) **U.S. Cl.**  
USPC ..... **D19/86**

(58) **Field of Classification Search**  
USPC ..... D3/201, 218, 273, 274, 294, 900;  
D14/440, 441, 250, 251, 252, 253, 254;  
D19/26, 75, 86, 88  
CPC ..... A45C 3/02; A45C 2013/025; A45C 9/00;  
A45C 11/00; A45C 2011/001; A45C  
2011/002; B42F 7/00; B42F 7/06; B42F  
7/14; B65D 5/5206  
See application file for complete search history.

(56) **References Cited**

U.S. PATENT DOCUMENTS

- 2,649,799 A \* 8/1953 Spertus ..... A47G 1/06  
248/472
- 3,369,730 A \* 2/1968 Bowman ..... B42F 7/08  
206/215
- 3,648,832 A \* 3/1972 Kirshenbaum ..... A45C 11/184  
206/37
- 4,376,348 A \* 3/1983 Ackeret ..... A47G 1/143  
40/490
- 4,571,865 A \* 2/1986 Ackeret ..... G03B 23/02  
40/122
- 4,703,853 A \* 11/1987 Byrns ..... G11B 23/0233  
206/387.13
- D294,774 S \* 3/1988 Kitada ..... D19/26
- 4,932,529 A \* 6/1990 Levine ..... A47G 1/142  
206/215

- D322,891 S \* 1/1992 Samuelson ..... D19/23
- D428,208 S \* 7/2000 Nodarse ..... D28/77
- 6,527,117 B2 \* 3/2003 Adkins ..... A47G 1/142  
206/215

(Continued)

FOREIGN PATENT DOCUMENTS

- EM 000799796-0003 12/2007
- EM 001879370-0001 7/2011

(Continued)

*Primary Examiner* — Elizabeth Albert

(74) *Attorney, Agent, or Firm* — Bryan Cave LLP

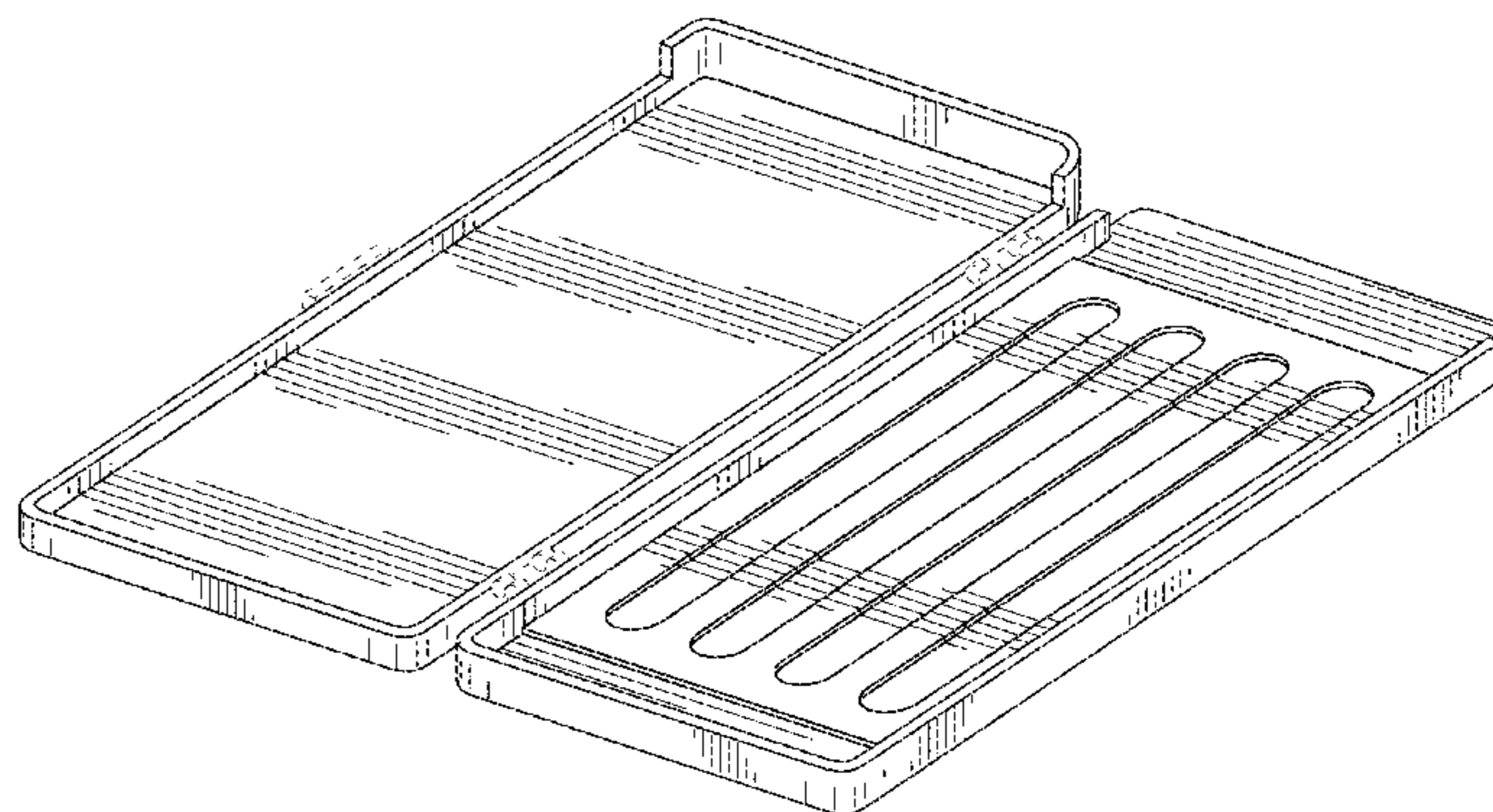
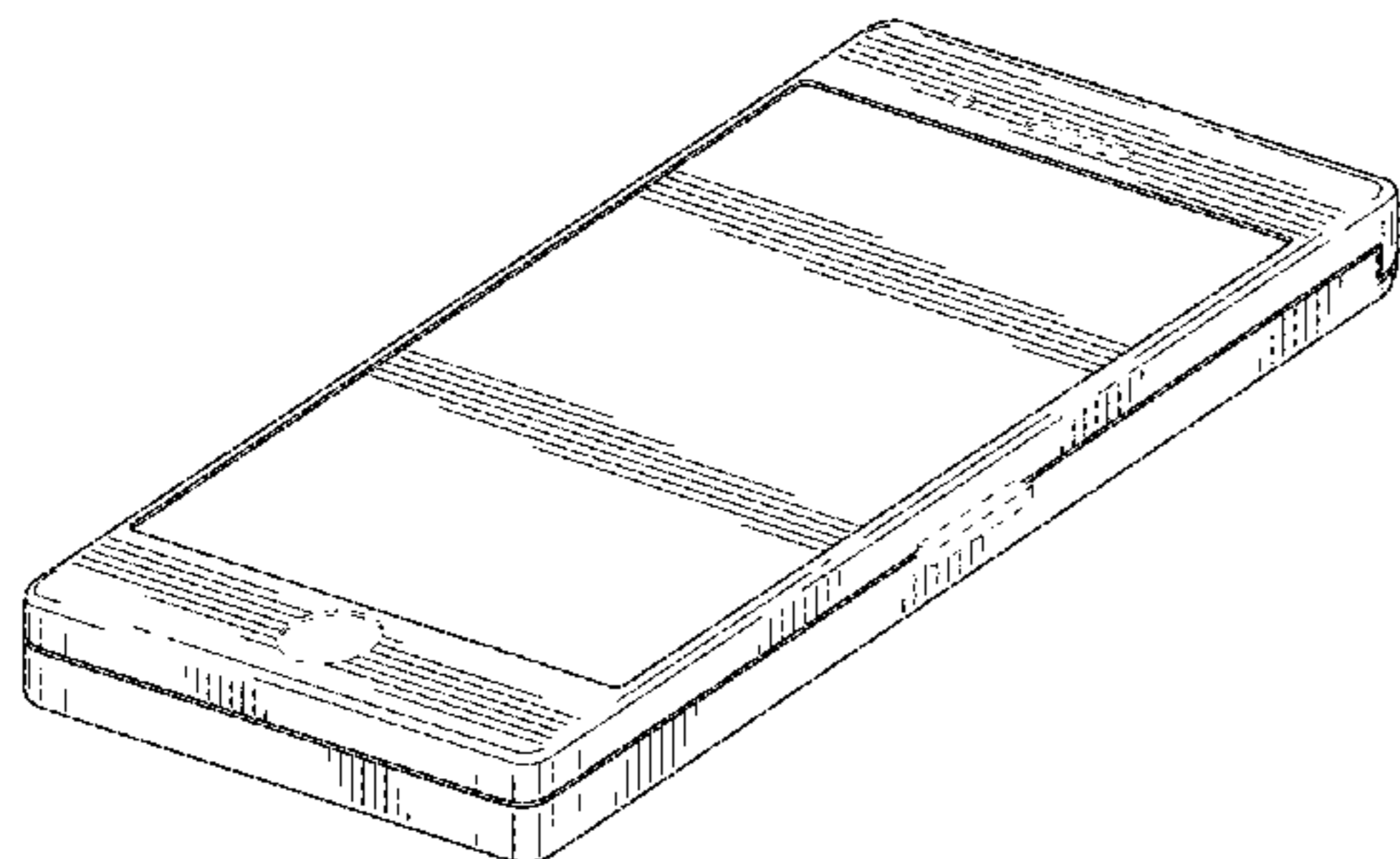
(57) **CLAIM**

I claim the ornamental design for a notepad holder, as shown and described.

**DESCRIPTION**

FIG. 1 is a perspective view of a notepad holder in closed position showing my new design;  
 FIG. 2 is a top plan view thereof;  
 FIG. 3 is a bottom plan view thereof;  
 FIG. 4 is a right side elevation view thereof;  
 FIG. 5 is a left side elevation view thereof;  
 FIG. 6 is a rear elevation view thereof;  
 FIG. 7 is a front elevation view thereof;  
 FIG. 8 is another perspective view thereof;  
 FIG. 9 is a perspective view thereof in open position;  
 FIG. 10 is a top plan view thereof;  
 FIG. 11 is a bottom plan view thereof;  
 FIG. 12 is a right side elevation view thereof;  
 FIG. 13 is a left side elevation view thereof;  
 FIG. 14 is a rear elevation view thereof;  
 FIG. 15 is a front elevation view thereof; and,  
 FIG. 16 is another perspective view thereof.  
 The broken lines are included to show portions of the notepad holder that form no part of the claimed design.

**1 Claim, 12 Drawing Sheets**



(56)

References Cited

U.S. PATENT DOCUMENTS

D492,358 S 6/2004 Chen  
 D558,973 S 1/2008 Hussaini et al.  
 D615,121 S \* 5/2010 Fukasawa ..... D18/17  
 D624,304 S \* 9/2010 Danze ..... D3/201  
 D627,777 S \* 11/2010 Akana ..... D14/341  
 D658,173 S 4/2012 Kim  
 D678,260 S \* 3/2013 Bau ..... D14/132  
 D686,586 S \* 7/2013 Cho ..... D14/138 G  
 D688,251 S \* 8/2013 Akana ..... D14/440  
 D695,813 S \* 12/2013 Nagae ..... D14/250  
 8,657,112 B2 \* 2/2014 Igarashi ..... H05K 5/03  
 206/320  
 8,672,126 B2 \* 3/2014 Rohrbach ..... A45C 9/00  
 206/320  
 D713,402 S \* 9/2014 Akana ..... D14/341  
 D715,051 S \* 10/2014 Tung ..... D3/294  
 9,008,738 B1 \* 4/2015 Dong ..... A45C 11/00  
 455/575.1  
 D734,760 S \* 7/2015 Brunner ..... D14/440  
 D734,761 S 7/2015 Ballou et al.

9,145,250 B2 9/2015 Richardson et al.  
 D741,594 S \* 10/2015 Morgan ..... D3/218  
 9,264,090 B2 2/2016 Johnson et al.  
 D751,808 S \* 3/2016 Agbeyo ..... D3/201  
 9,315,004 B2 \* 4/2016 Balaji ..... B32B 37/12  
 D766,819 S \* 9/2016 Gjovik ..... D13/103  
 D776,122 S \* 1/2017 Akana ..... D14/440  
 D776,123 S \* 1/2017 Akana ..... D14/440  
 2005/0133129 A1 6/2005 Saeed  
 2007/0205115 A1 \* 9/2007 Lee ..... A45C 11/00  
 206/37  
 2008/0230160 A1 \* 9/2008 Huang ..... A45C 11/00  
 150/165  
 2014/0014539 A1 1/2014 Jatwes  
 2014/0116895 A1 5/2014 Ellenburg et al.  
 2014/0283979 A1 \* 9/2014 Kenney ..... B65D 25/00  
 156/182

FOREIGN PATENT DOCUMENTS

EM 20132602 6/2013  
 EM 002696799-0001 12/2015

\* cited by examiner

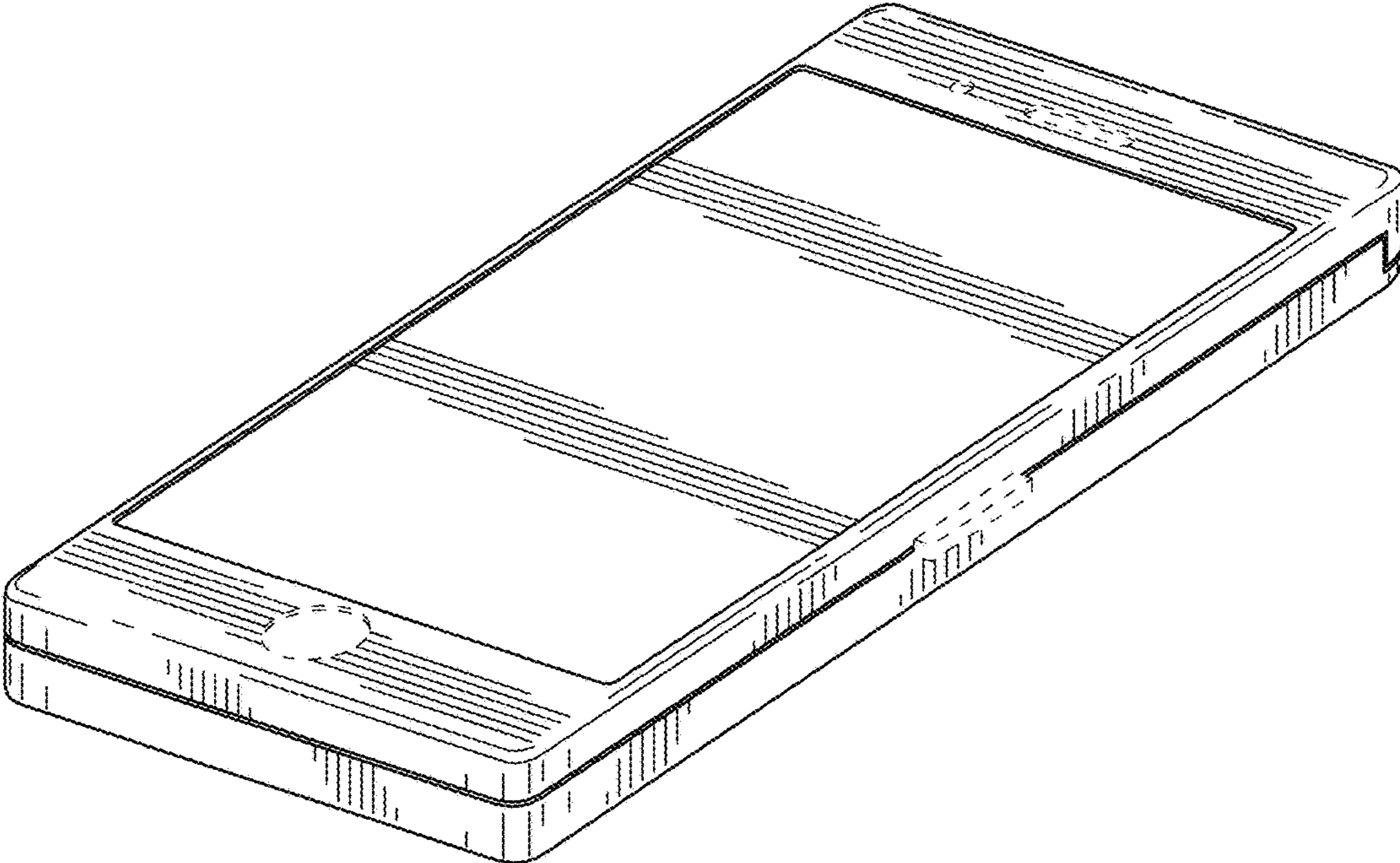


FIG. 1

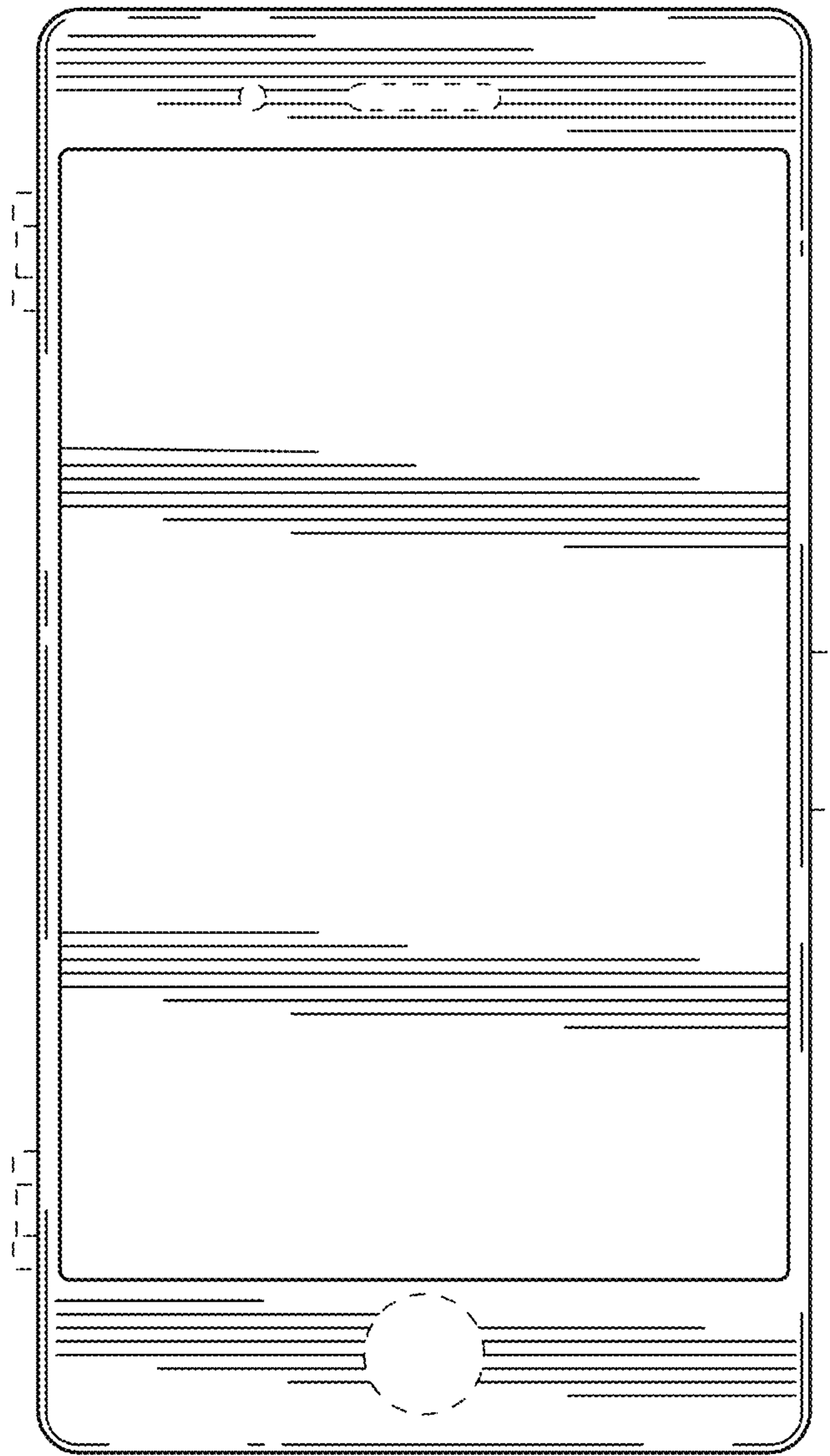


FIG. 2



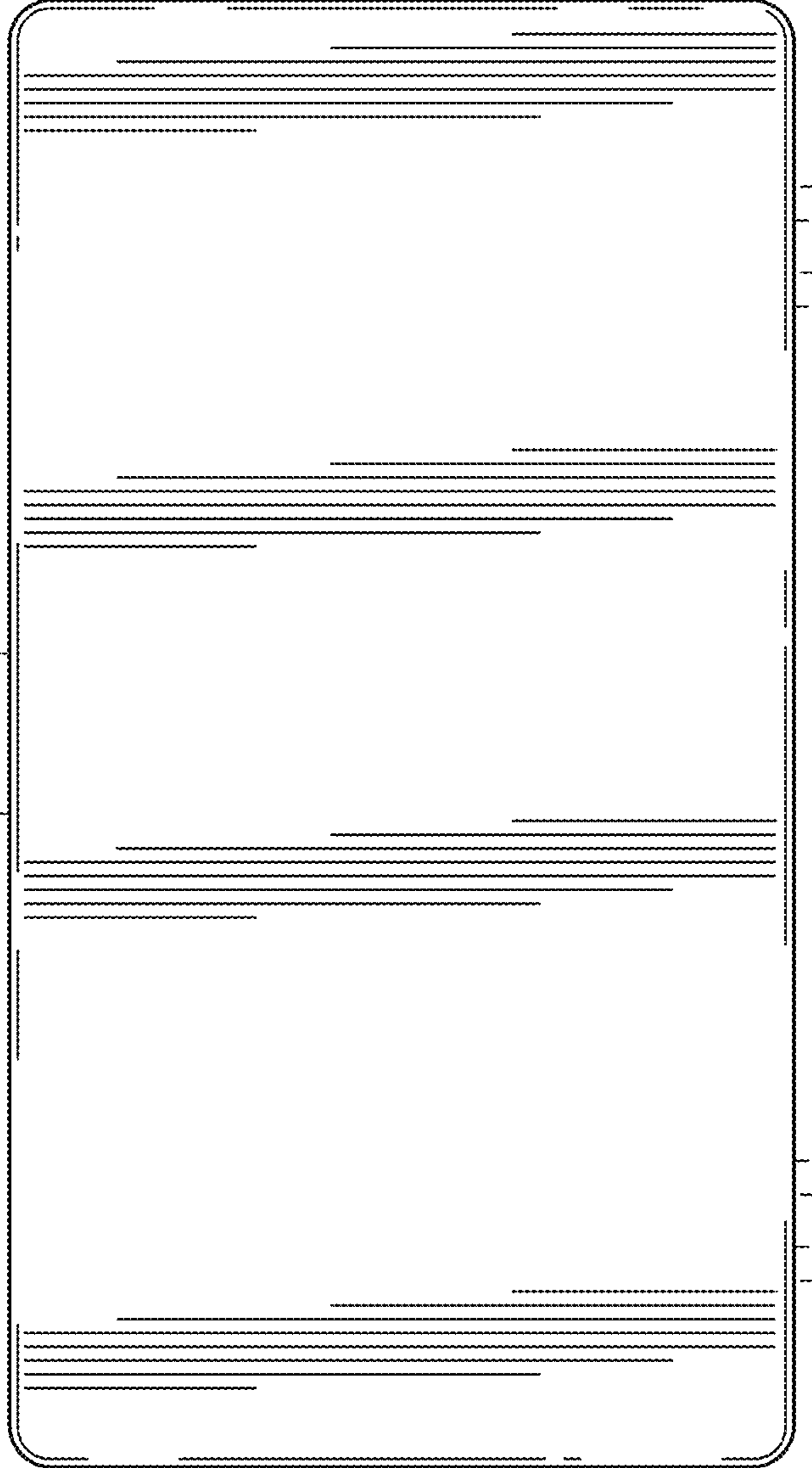


FIG. 3

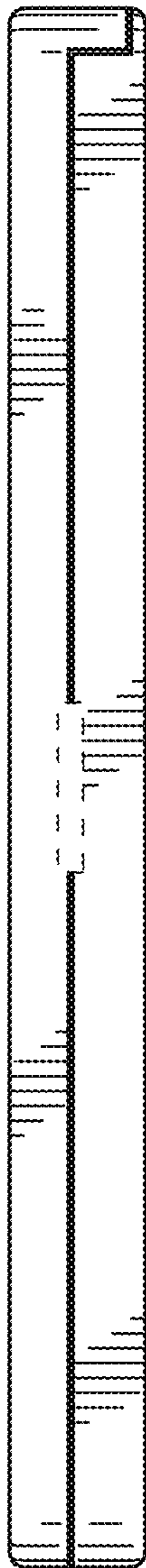


FIG. 4

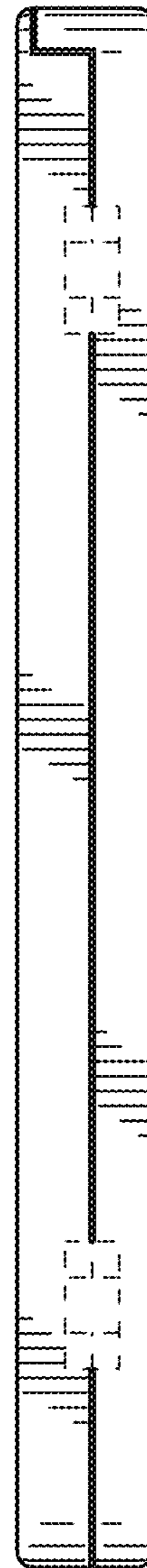


FIG. 5



FIG. 6

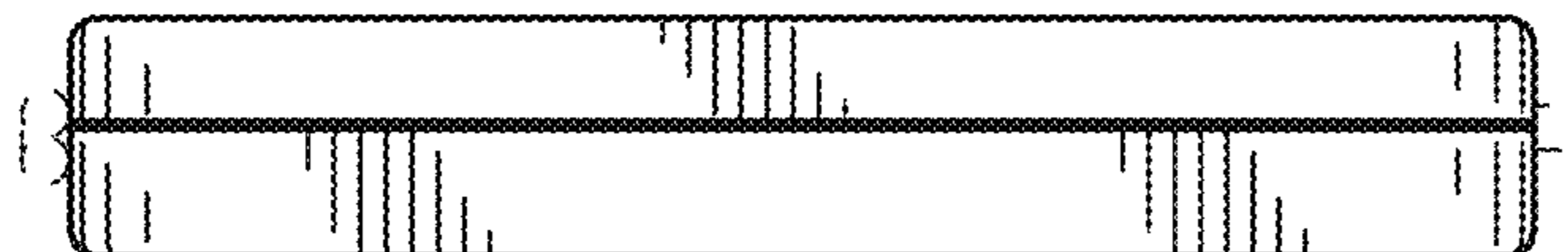


FIG. 7

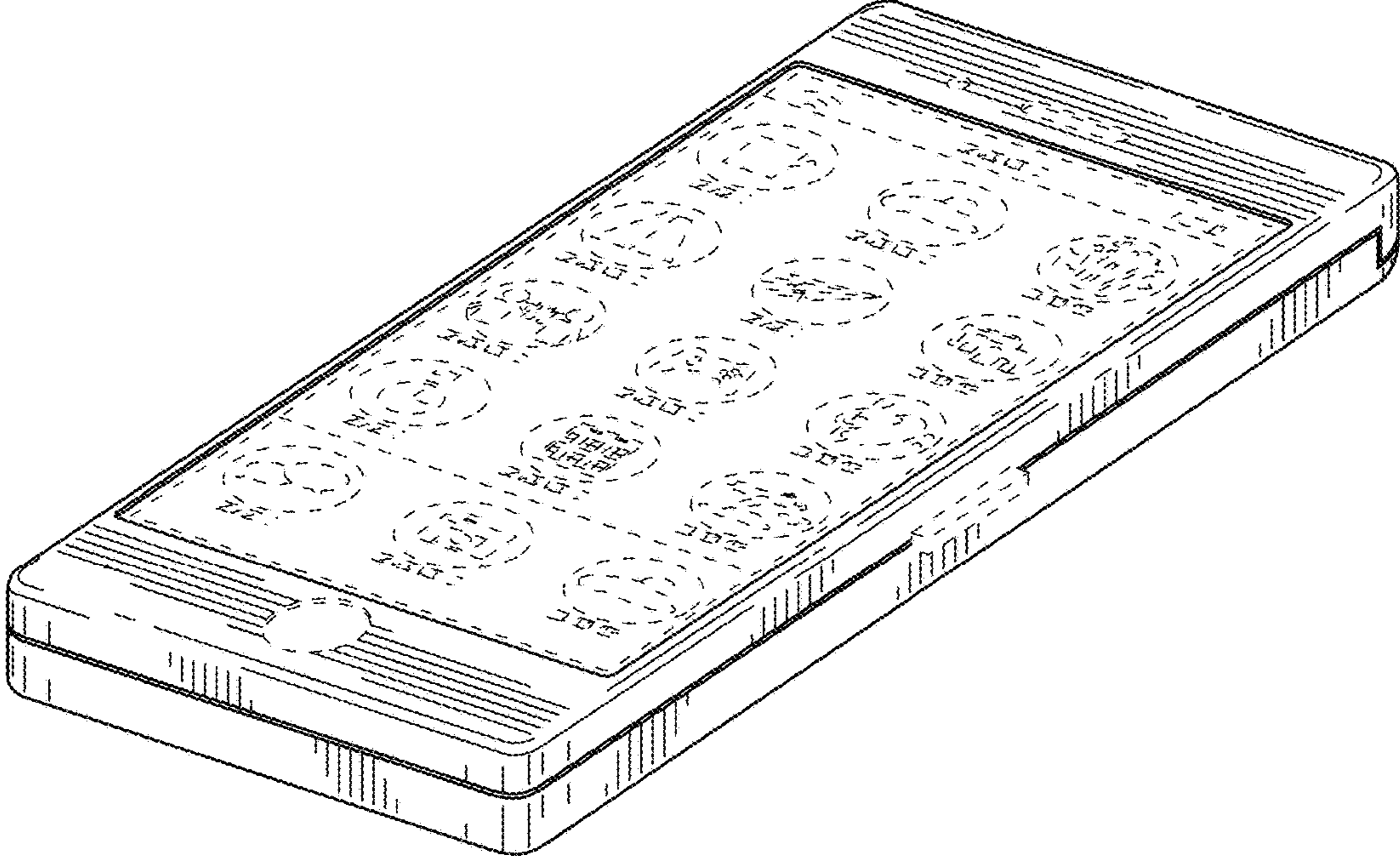


FIG. 8



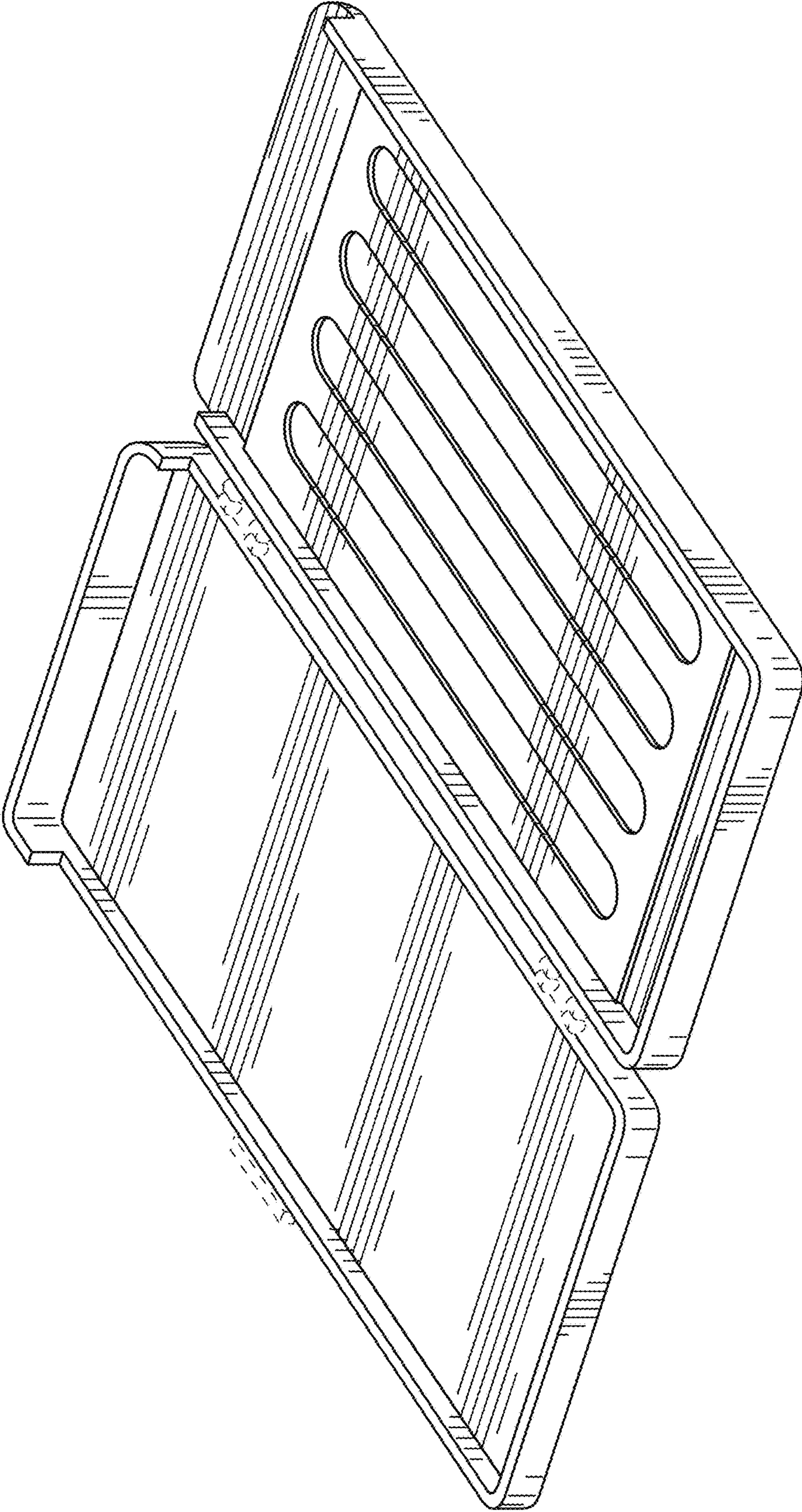


FIG. 9

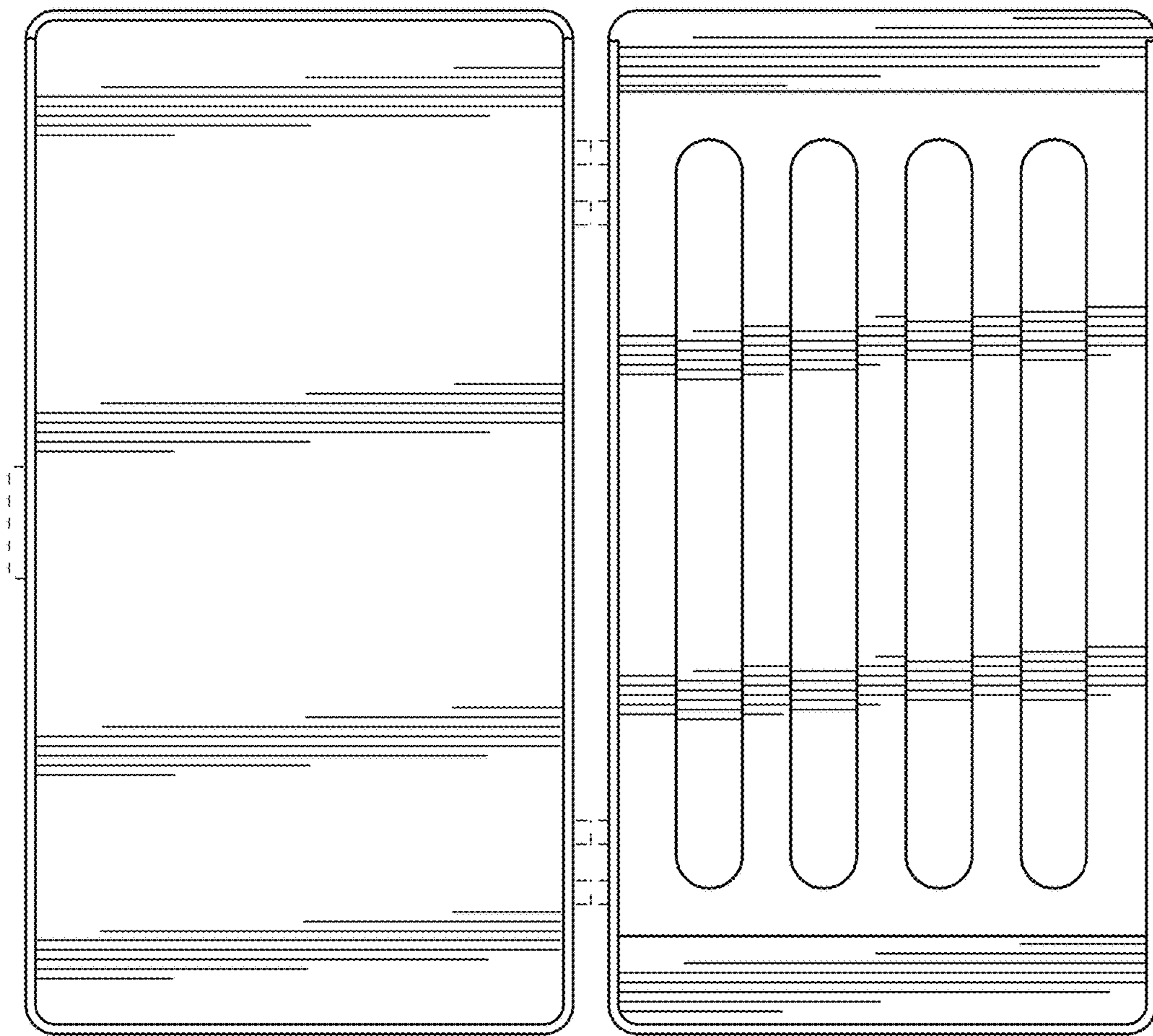


FIG. 10

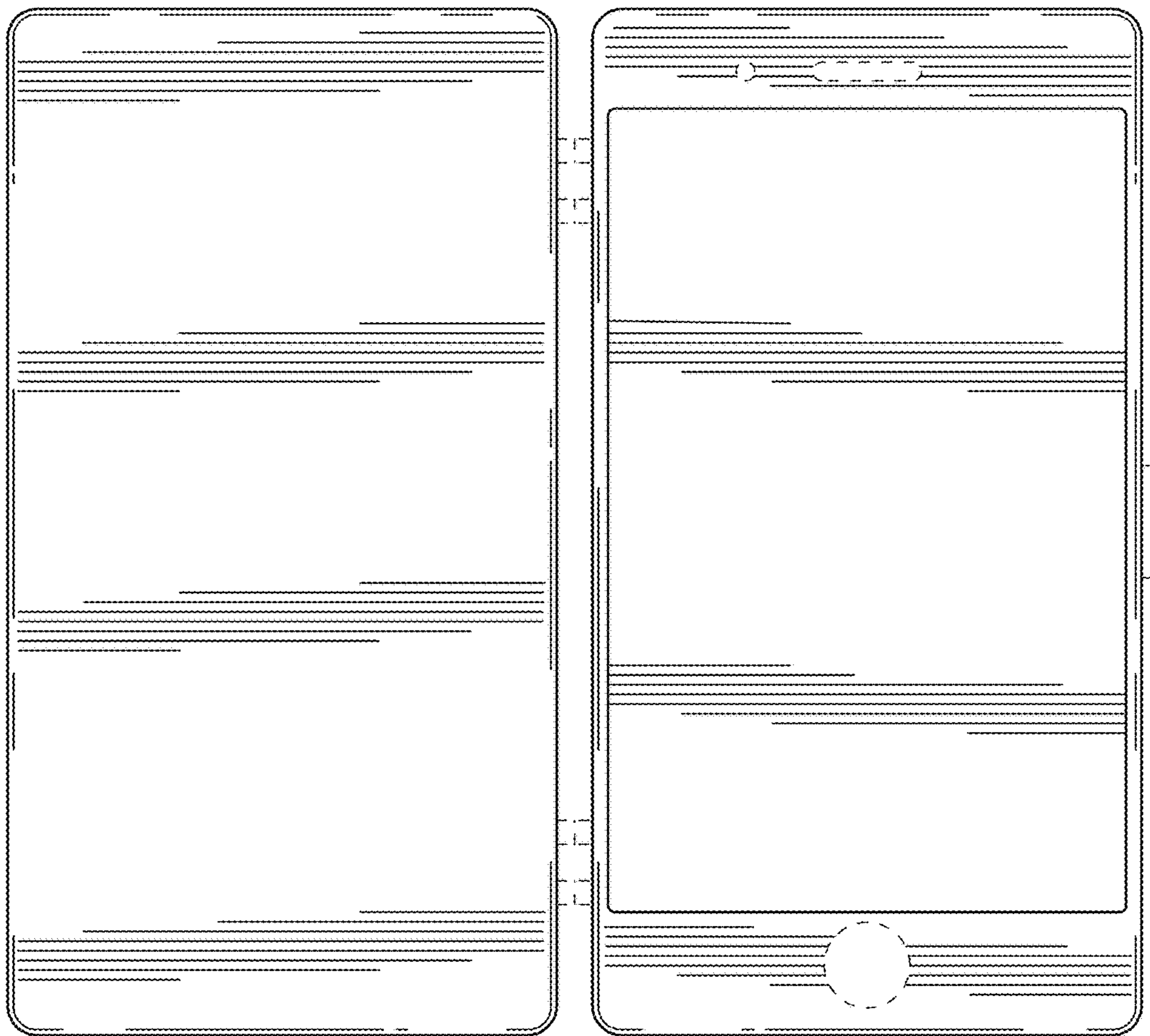


FIG. 11

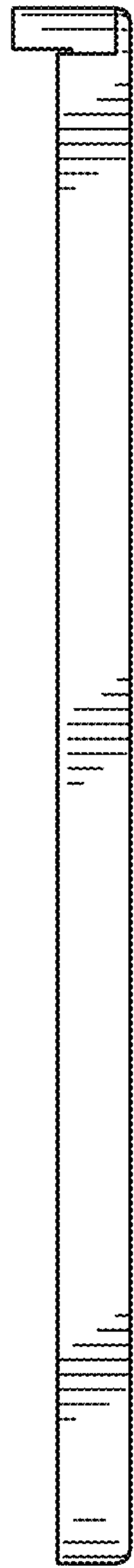


FIG. 12

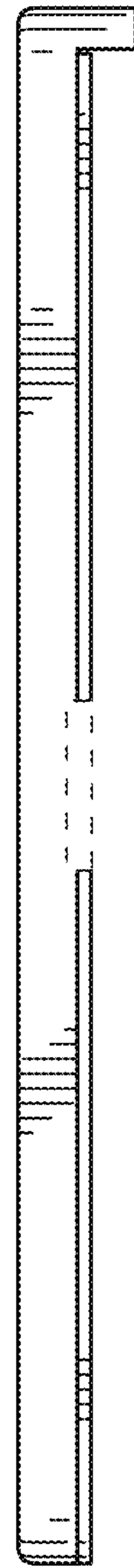


FIG. 13



FIG. 14



FIG. 15



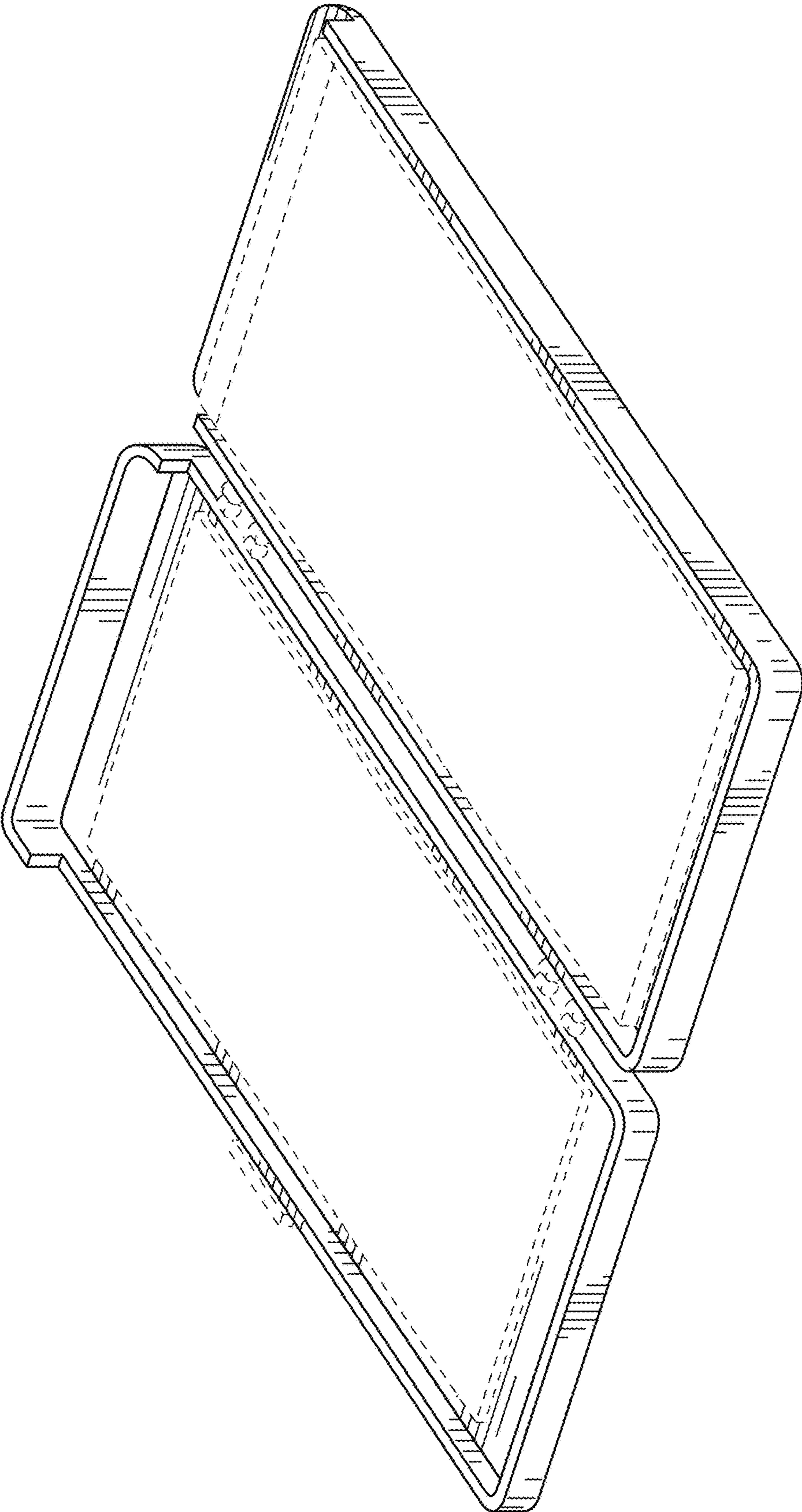


FIG. 16