



US00D800835S

(12) **United States Design Patent**
Ballard

(10) **Patent No.:** **US D800,835 S**

(45) **Date of Patent:** **** Oct. 24, 2017**

(54) **NOTEBOOK HOLDER**

(71) Applicant: **Robert Ballard**, Barboursville, WV
(US)

(72) Inventor: **Robert Ballard**, Barboursville, WV
(US)

(**) Term: **15 Years**

(21) Appl. No.: **29/603,095**

(22) Filed: **May 5, 2017**

(51) **LOC (10) Cl.** **19-02**

(52) **U.S. Cl.**
USPC **D19/86**

(58) **Field of Classification Search**
USPC D3/201, 218, 273, 274, 294, 900;
D14/440, 441, 250, 251, 252, 253, 254;
D19/26, 75, 86, 88
CPC A45C 3/02; A45C 2013/025; A45C 9/00;
A45C 11/00; A45C 2011/001; A45C
2011/002; B42F 7/00; B42F 7/06; B42F
7/14; B65D 5/5206
See application file for complete search history.

(56) **References Cited**

U.S. PATENT DOCUMENTS

2,649,799 A * 8/1953 Spertus A47G 1/06
248/472
3,369,730 A * 2/1968 Bowman B42F 7/08
206/215
3,648,832 A * 3/1972 Kirshenbaum A45C 11/184
206/37
4,376,348 A * 3/1983 Ackeret A47G 1/143
40/490
4,512,470 A * 4/1985 Sieben G11B 23/0233
206/387.1
4,571,865 A * 2/1986 Ackeret G03B 23/02
40/122
D291,024 S * 7/1987 Kikuchi D6/634

4,703,853 A * 11/1987 Byrns G11B 23/0233
206/387.13
D294,774 S * 3/1988 Kitada D19/26
4,932,529 A * 6/1990 Levine A47G 1/142
206/215
D321,855 S * 11/1991 Ross, Jr. D13/107
D322,891 S * 1/1992 Samuelson D19/23

(Continued)

FOREIGN PATENT DOCUMENTS

EM 000799796-0003 12/2007
EM 000983267-0001 10/2008

Primary Examiner — Elizabeth Albert

(74) *Attorney, Agent, or Firm* — Bryan Cave LLP

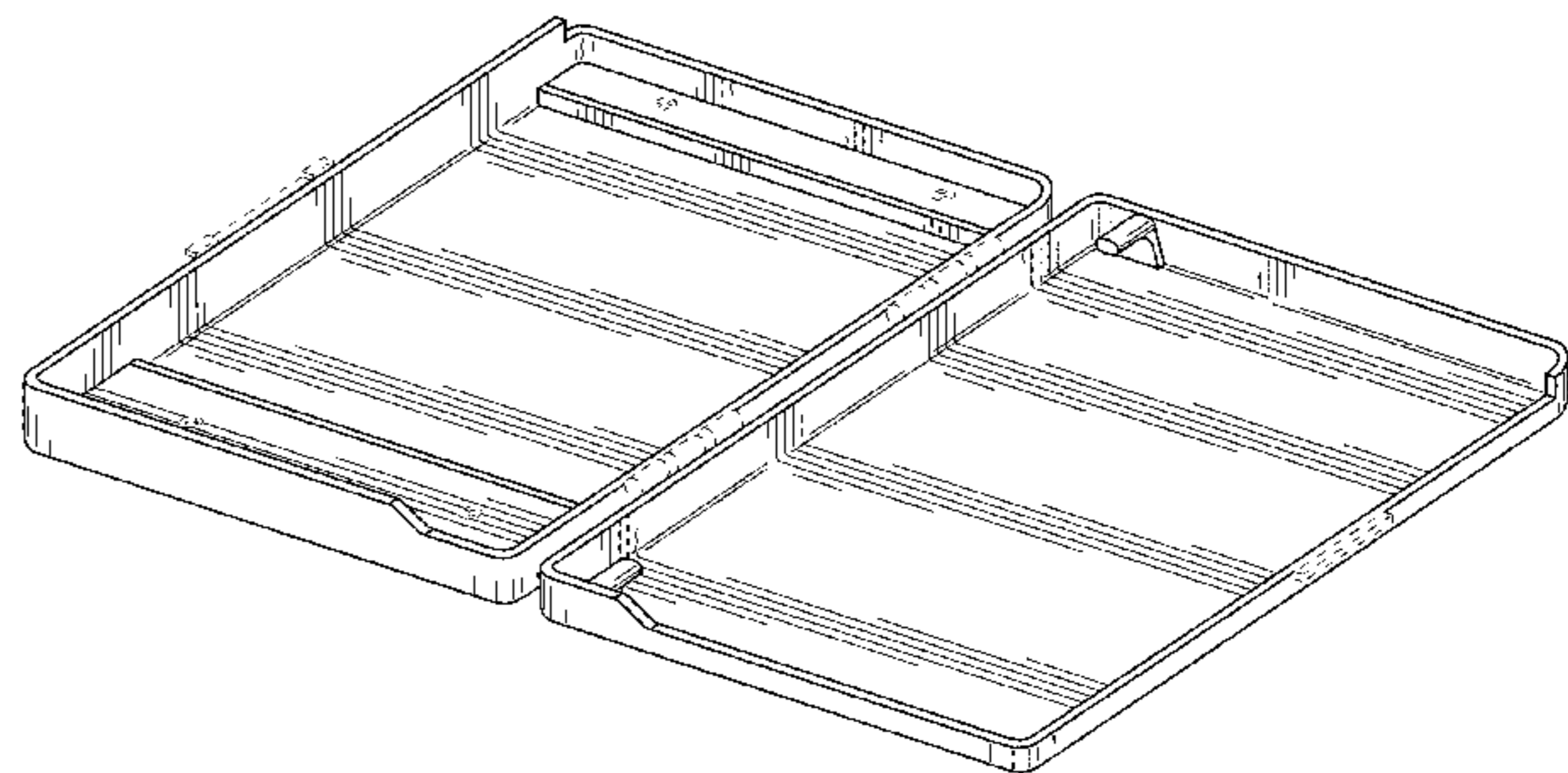
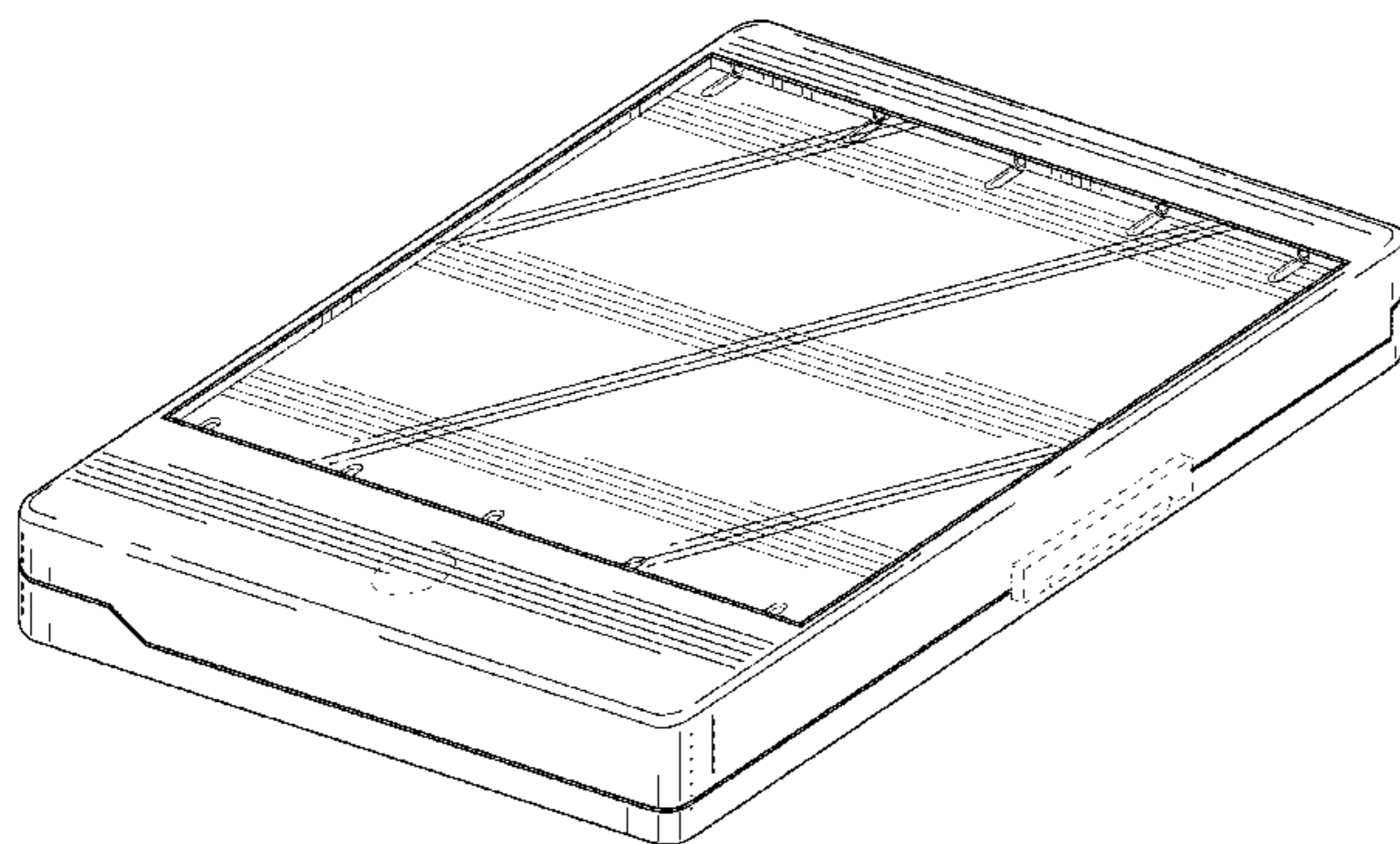
(57) **CLAIM**

The ornamental design for a notebook holder, as shown and described.

DESCRIPTION

FIG. 1 is a perspective view of a notebook holder in closed position showing my new design;
FIG. 2 is a top plan view thereof;
FIG. 3 is a bottom plan view thereof;
FIG. 4 is a right side elevation view thereof;
FIG. 5 is a left side elevation view thereof;
FIG. 6 is a rear elevation view thereof;
FIG. 7 is a front elevation view thereof;
FIG. 8 is another perspective view thereof;
FIG. 9 is a perspective view thereof in open position;
FIG. 10 is a top plan view thereof;
FIG. 11 is a bottom plan view thereof;
FIG. 12 is a right side elevation view thereof;
FIG. 13 is a left side elevation view thereof;
FIG. 14 is a rear elevation view thereof;
FIG. 15 is a front elevation view thereof; and,
FIG. 16 is another perspective view thereof.
The broken lines are included to show portions of the notebook holder that form no part of the claimed design.

1 Claim, 12 Drawing Sheets



(56)

References Cited

U.S. PATENT DOCUMENTS

5,190,127 A * 3/1993 Cummings A63F 1/06
 190/102
 D363,509 S * 10/1995 Parekh D19/75
 D370,627 S * 6/1996 Clark D3/273
 D413,753 S * 9/1999 Allsop D3/201
 D428,208 S * 7/2000 Nodarse D28/77
 6,527,117 B2 * 3/2003 Adkins A47G 1/142
 206/215
 D484,542 S * 12/2003 Hassell D19/75
 D492,358 S 6/2004 Chen
 6,796,673 B1 9/2004 Dempsey et al.
 7,494,235 B2 2/2009 Floyd, Jr.
 D609,007 S * 2/2010 Volkel D3/269
 D615,121 S * 5/2010 Fukasawa D18/17
 D640,053 S * 6/2011 Volkel D3/269
 D648,529 S * 11/2011 Brown D3/269
 D658,173 S 4/2012 Kim
 D659,139 S * 5/2012 Gengler D14/392
 D676,448 S 2/2013 Gorman et al.

D679,277 S 4/2013 Probst et al.
 D695,813 S * 12/2013 Nagae D14/250
 D713,367 S * 9/2014 Kim D14/138 G
 D720,318 S * 12/2014 Kim D14/138 G
 D721,347 S * 1/2015 Lee D14/138 G
 D721,667 S * 1/2015 Chuang D14/138 G
 9,008,738 B1 * 4/2015 Dong A45C 11/00
 455/575.1
 D734,761 S 7/2015 Ballou et al.
 9,256,258 B2 2/2016 Burch et al.
 D755,147 S * 5/2016 Lin D14/138 G
 D778,868 S * 2/2017 Yang D14/138 G
 2007/0115650 A1 5/2007 Cohan et al.
 2007/0205115 A1 * 9/2007 Lee A45C 11/00
 206/37
 2008/0043457 A1 2/2008 Broxson
 2008/0230160 A1 * 9/2008 Huang A45C 11/00
 150/165
 2011/0134625 A1 6/2011 Broxson
 2011/0186194 A1 8/2011 Gallo et al.
 2011/0294542 A1 12/2011 Ray et al.
 2015/0185408 A1 7/2015 Hsu et al.

* cited by examiner

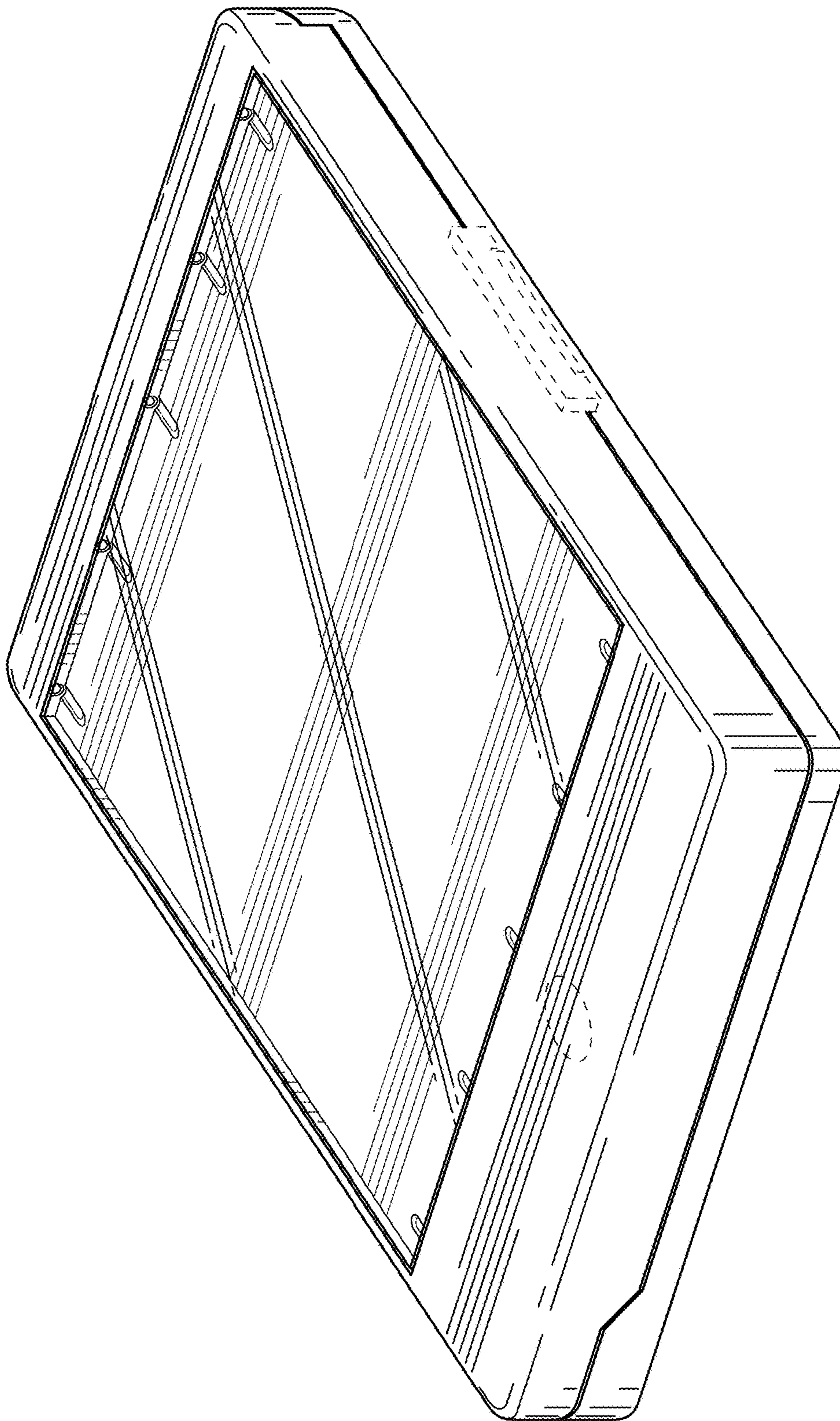


FIG. 1

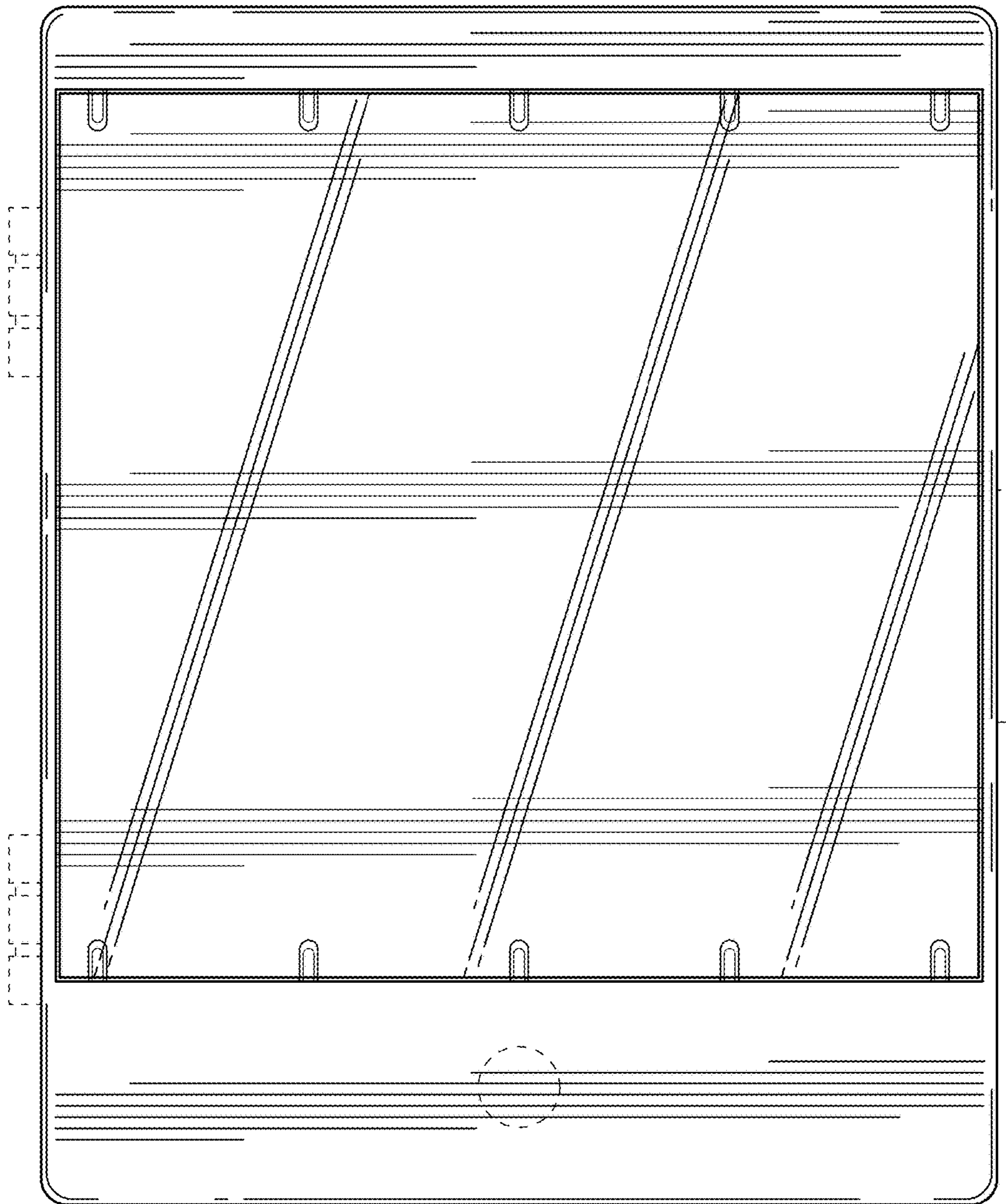


FIG. 2

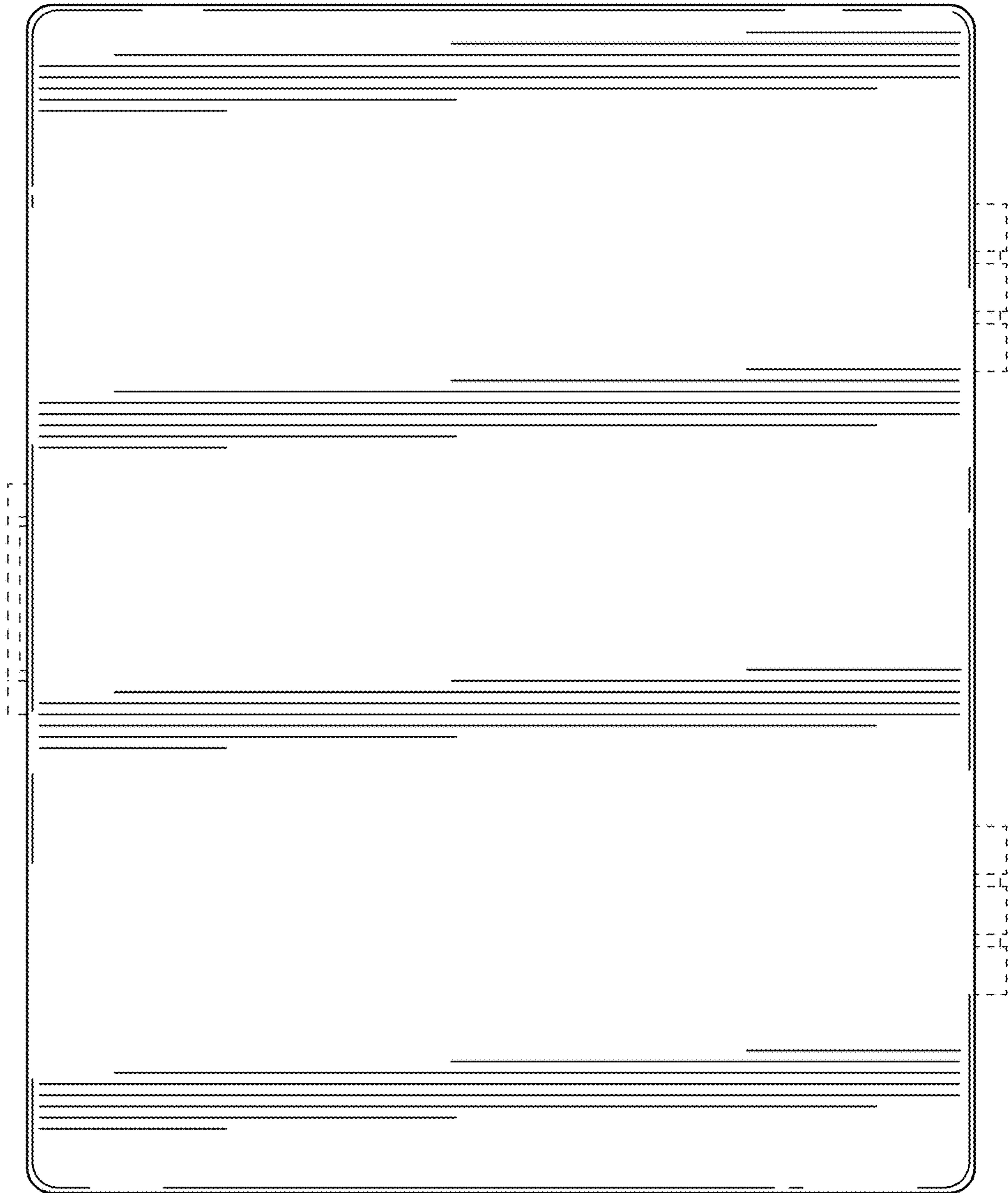


FIG. 3

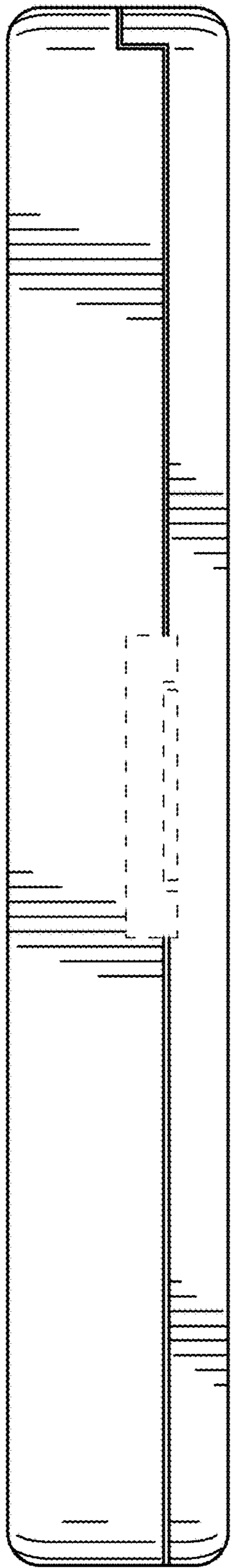


FIG. 4

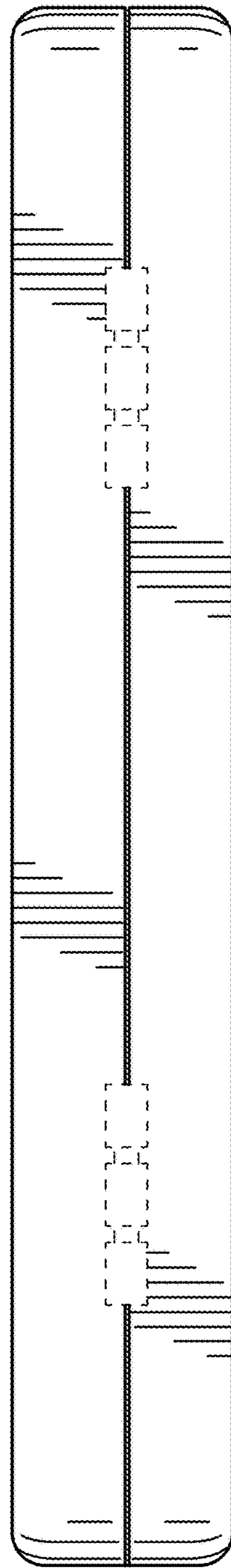


FIG. 5

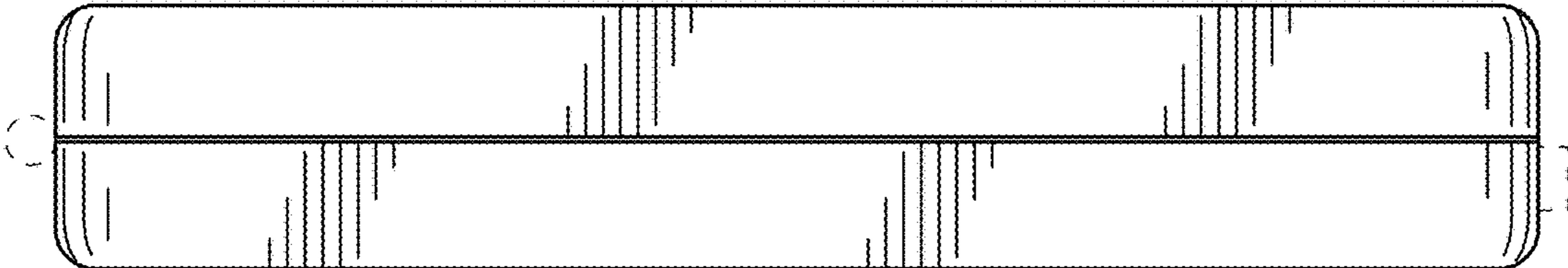


FIG. 6



FIG. 7

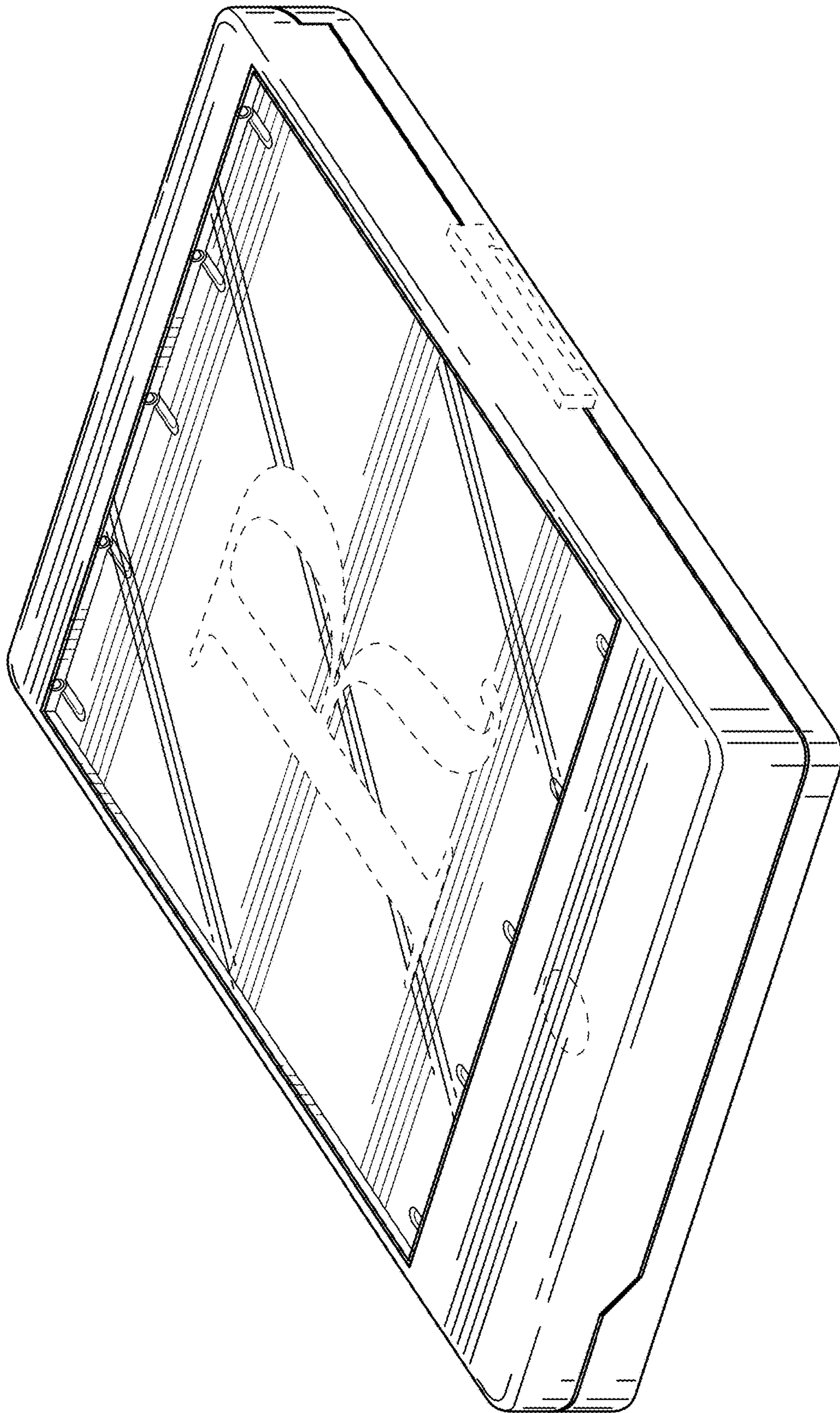


FIG. 8

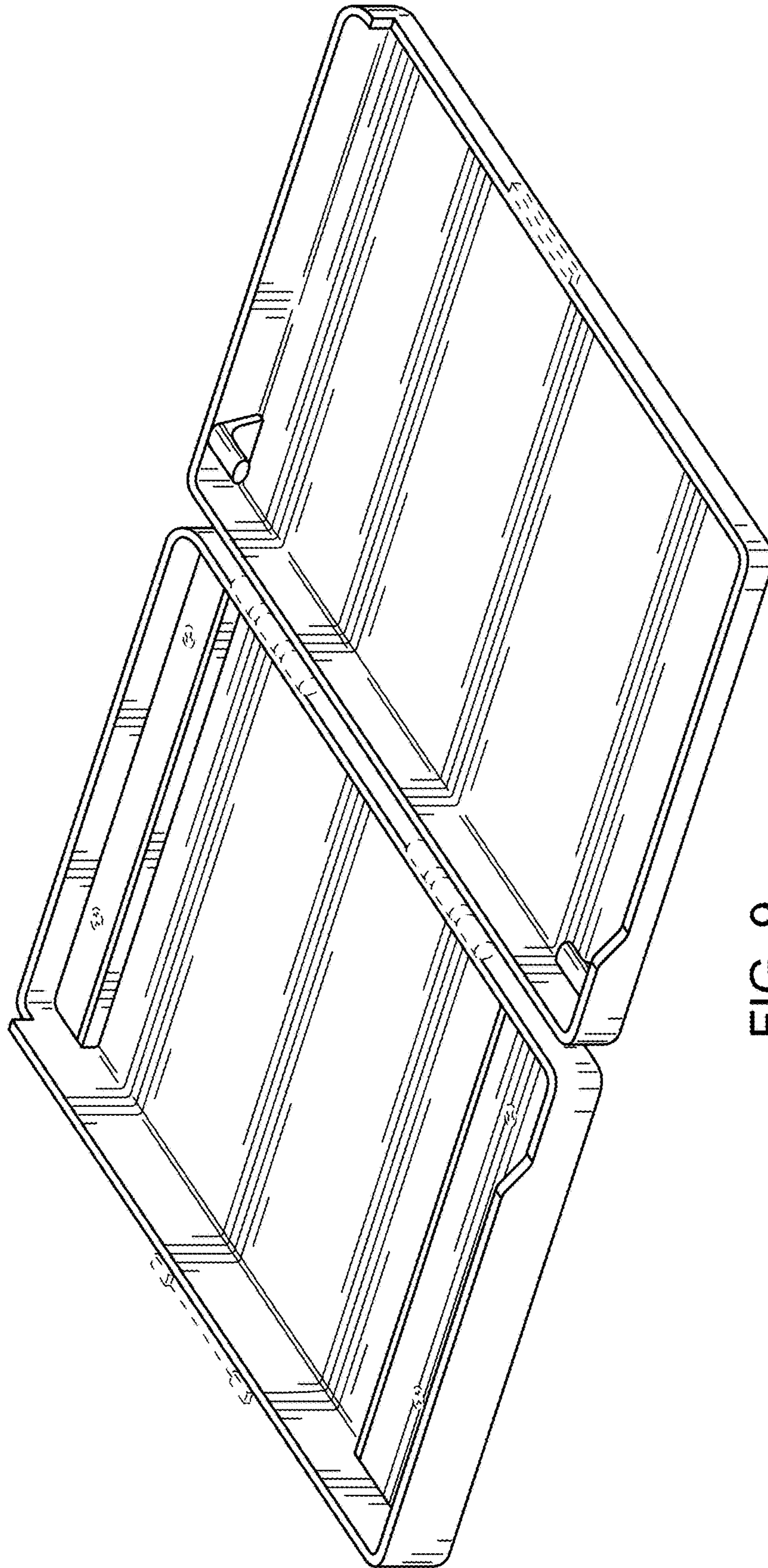


FIG. 9

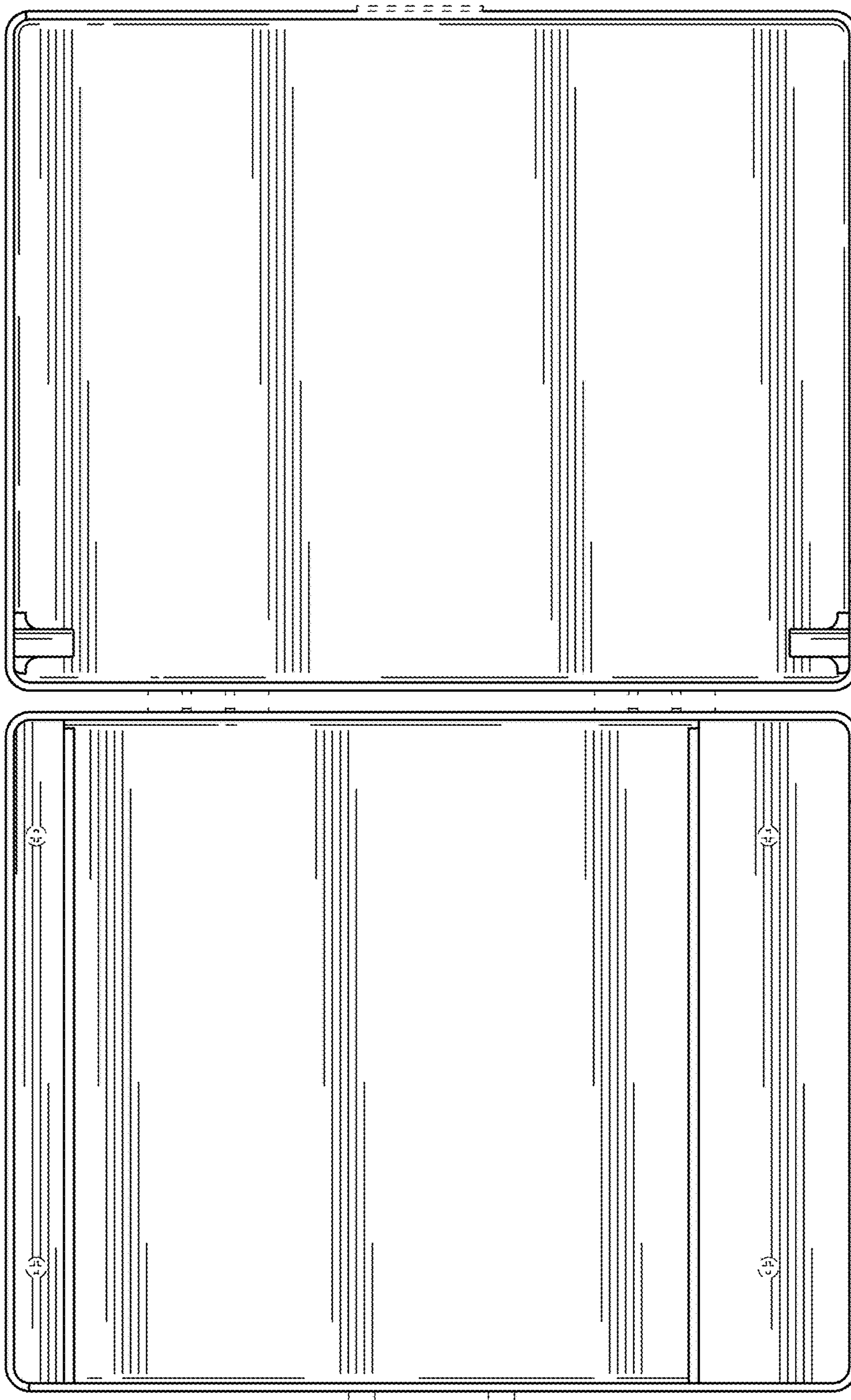


FIG. 10

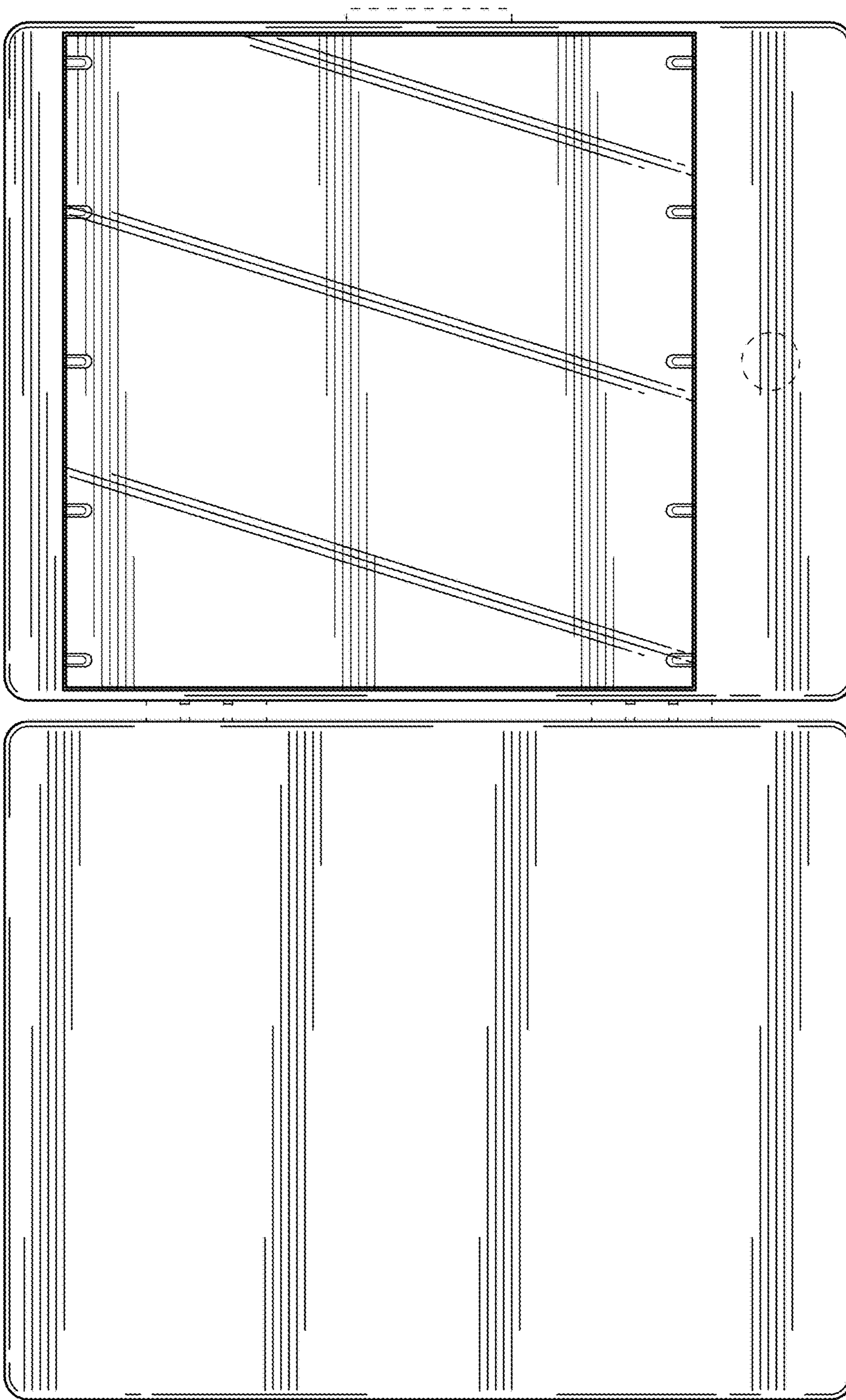


FIG. 11

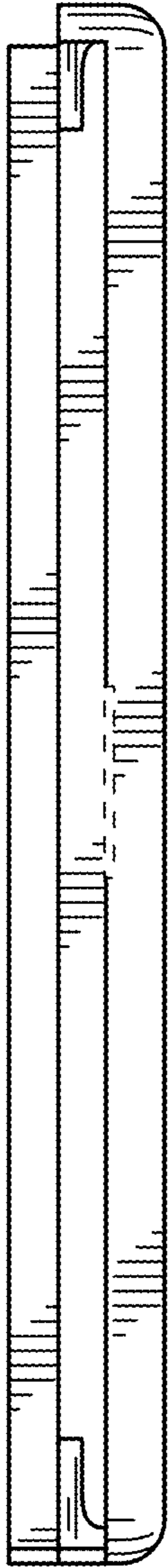


FIG. 12

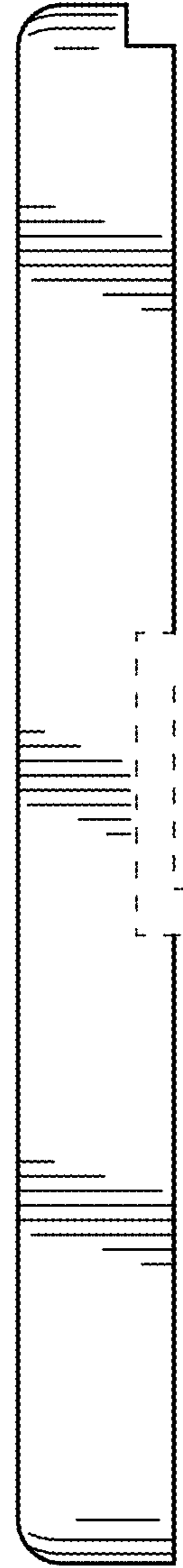


FIG. 13

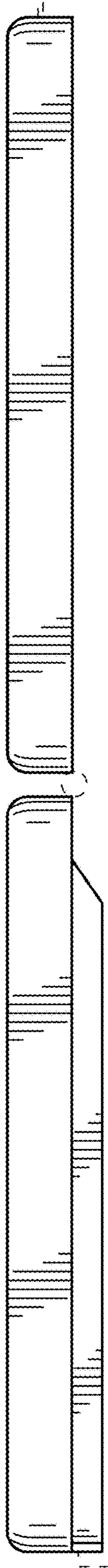


FIG. 14

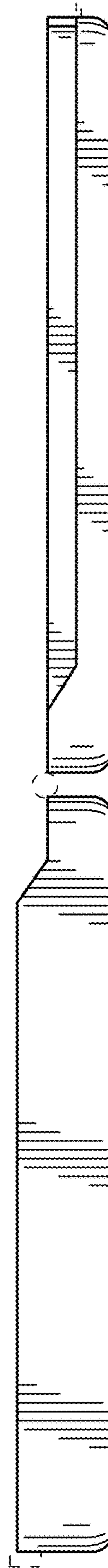


FIG. 15

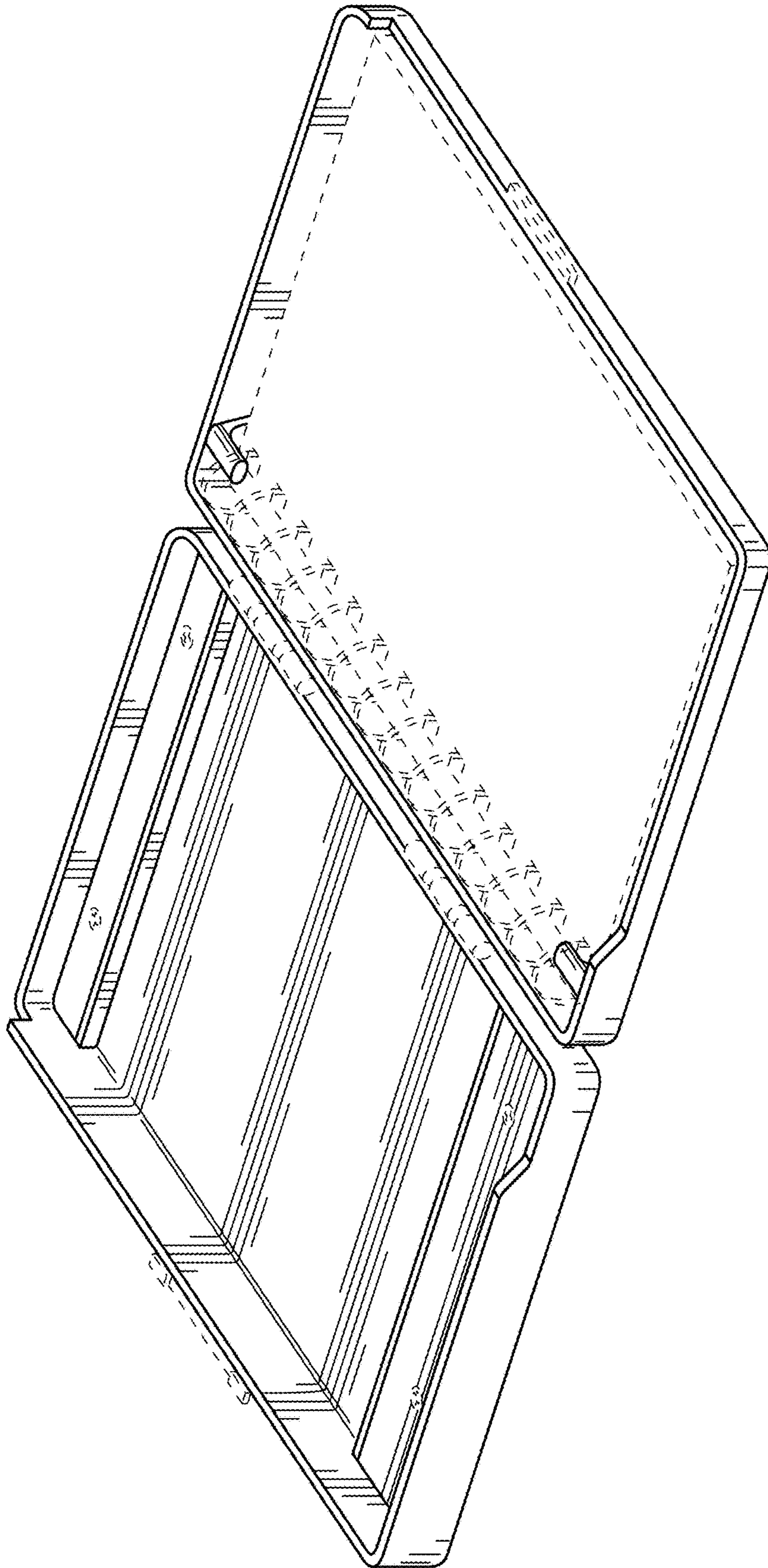


FIG. 16