



US00D800834S

(12) **United States Design Patent**
Eisen

(10) **Patent No.:** **US D800,834 S**
(45) **Date of Patent:** **** Oct. 24, 2017**

- (54) **SHARPENER**
- (71) Applicant: **EISEN GMBH**, Baiersdorf (DE)
- (72) Inventor: **Stephan Eisen**, Baiersdorf (DE)
- (73) Assignee: **EISEN GMBH**, Baiersdorf (DE)
- (**) Term: **15 Years**
- (21) Appl. No.: **29/549,333**
- (22) Filed: **Dec. 21, 2015**
- (30) **Foreign Application Priority Data**

Jun. 26, 2015 (DE) 402015100589.6

- (51) **LOC (10) Cl.** **19-06**
- (52) **U.S. Cl.**
USPC **D19/73**
- (58) **Field of Classification Search**
USPC D19/72-74, 111; D8/98-100, 103
CPC B43L 23/00; B43L 23/002; B43L 23/004;
B43L 23/006; B43L 23/008; B43L 23/02;
B43L 23/04; B43L 23/06; B43L 23/08;
B43L 23/085
See application file for complete search history.

(56) **References Cited**

U.S. PATENT DOCUMENTS

- 359,026 A * 3/1887 McKinnon B43L 23/08
30/452
- 1,479,921 A * 1/1924 Miller B43L 23/08
30/289
- 1,560,291 A * 11/1925 Egon B43L 23/08
30/452
- 1,719,714 A * 7/1929 Miller B43L 23/08
30/294
- 1,844,729 A * 2/1932 Wells B43L 19/00
15/105.53

- 2,039,687 A * 5/1936 Johannes B43L 23/08
30/457
- 2,642,044 A * 6/1953 Mussguller B43L 23/08
30/452
- 3,097,629 A * 7/1963 Fleming A45D 40/20
30/454
- 4,066,109 A * 1/1978 Narang B43L 23/08
144/28.11
- 4,158,912 A * 6/1979 Erdmann C11C 5/028
30/124
- 4,248,283 A * 2/1981 Kaye B43L 23/08
30/454
- 4,402,354 A * 9/1983 Halpern B43L 23/08
30/454
- 4,506,716 A * 3/1985 Hayashi B43L 23/08
30/457

(Continued)

Primary Examiner — Elizabeth Albert

(74) *Attorney, Agent, or Firm* — Troutman Sanders LLP

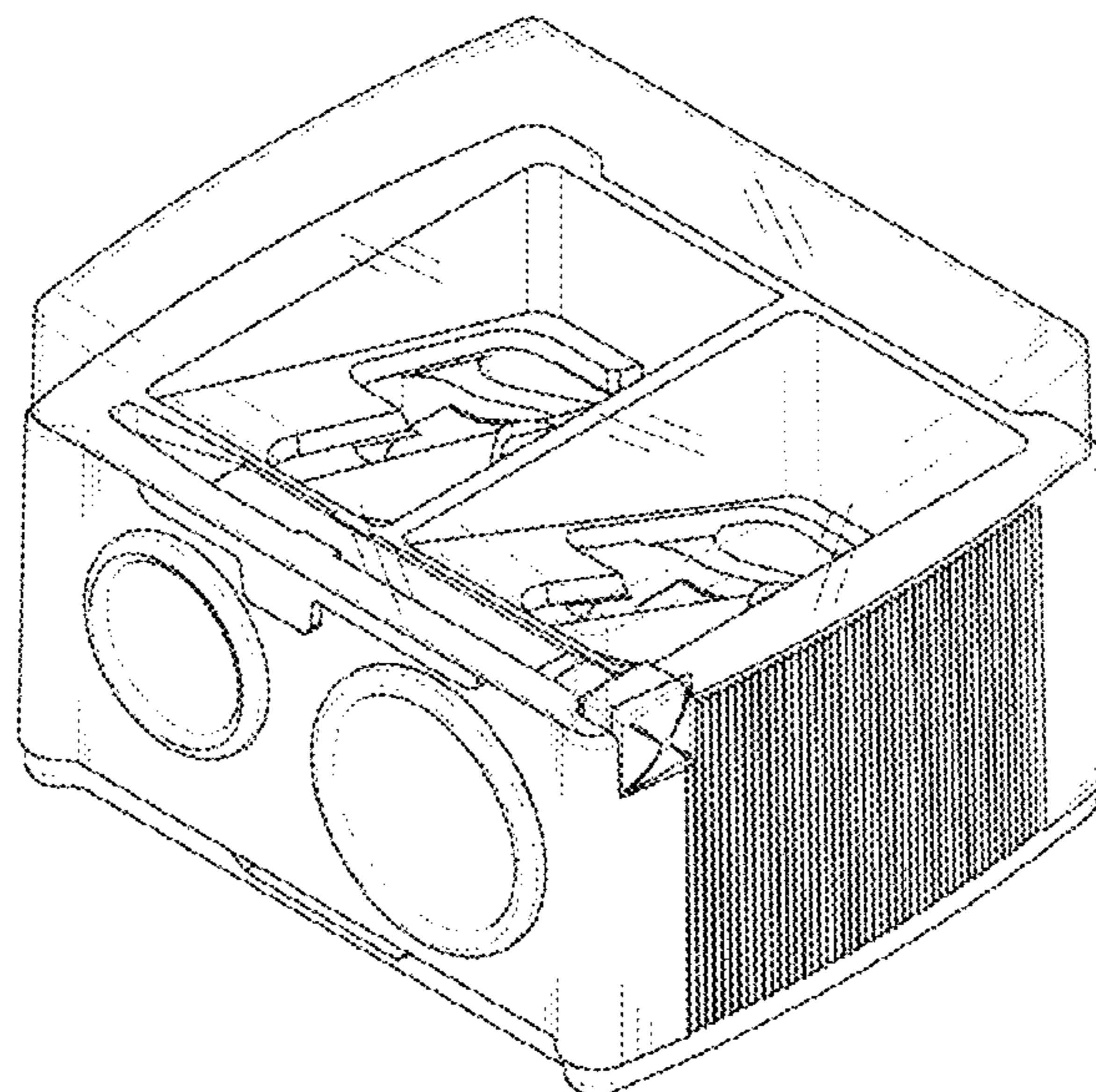
(57) **CLAIM**

I claim the ornamental design for a sharpener, as shown and described.

DESCRIPTION

FIG. 1 is an upper perspective view of the sharpener showing my new design;
 FIG. 2 is a rotated, upper perspective view of the sharpener shown in FIG. 1;
 FIG. 3 is a rear view of the sharpener shown in FIG. 1;
 FIG. 4 is a left side view of the sharpener shown in FIG. 1;
 FIG. 5 is a right side view of the sharpener shown in FIG. 1;
 FIG. 6 is a top plan view of the sharpener shown in FIG. 1;
 FIG. 7 is a bottom plan view of the sharpener shown in FIG. 1; and,
 FIG. 8 is a lower perspective view of the sharpener shown in FIG. 1.

1 Claim, 7 Drawing Sheets



(56)

References Cited

U.S. PATENT DOCUMENTS

5,167,071 A * 12/1992 Eisen B43L 23/08
30/452
5,774,995 A * 7/1998 Ross F21V 35/00
30/454
D431,263 S * 9/2000 Greenhouse D19/73
6,397,479 B1 * 6/2002 Luttgens B43L 23/08
144/28.11
D469,809 S * 2/2003 Gstalder D19/73
D470,182 S * 2/2003 Gstalder D19/73
6,976,314 B2 * 12/2005 Luttgens A61L 2/16
144/28.1
9,505,551 B2 * 11/2016 Elliot B65F 1/0006
2007/0172679 A1 * 7/2007 Luttgens B43L 7/00
428/469

* cited by examiner

FIG. 1

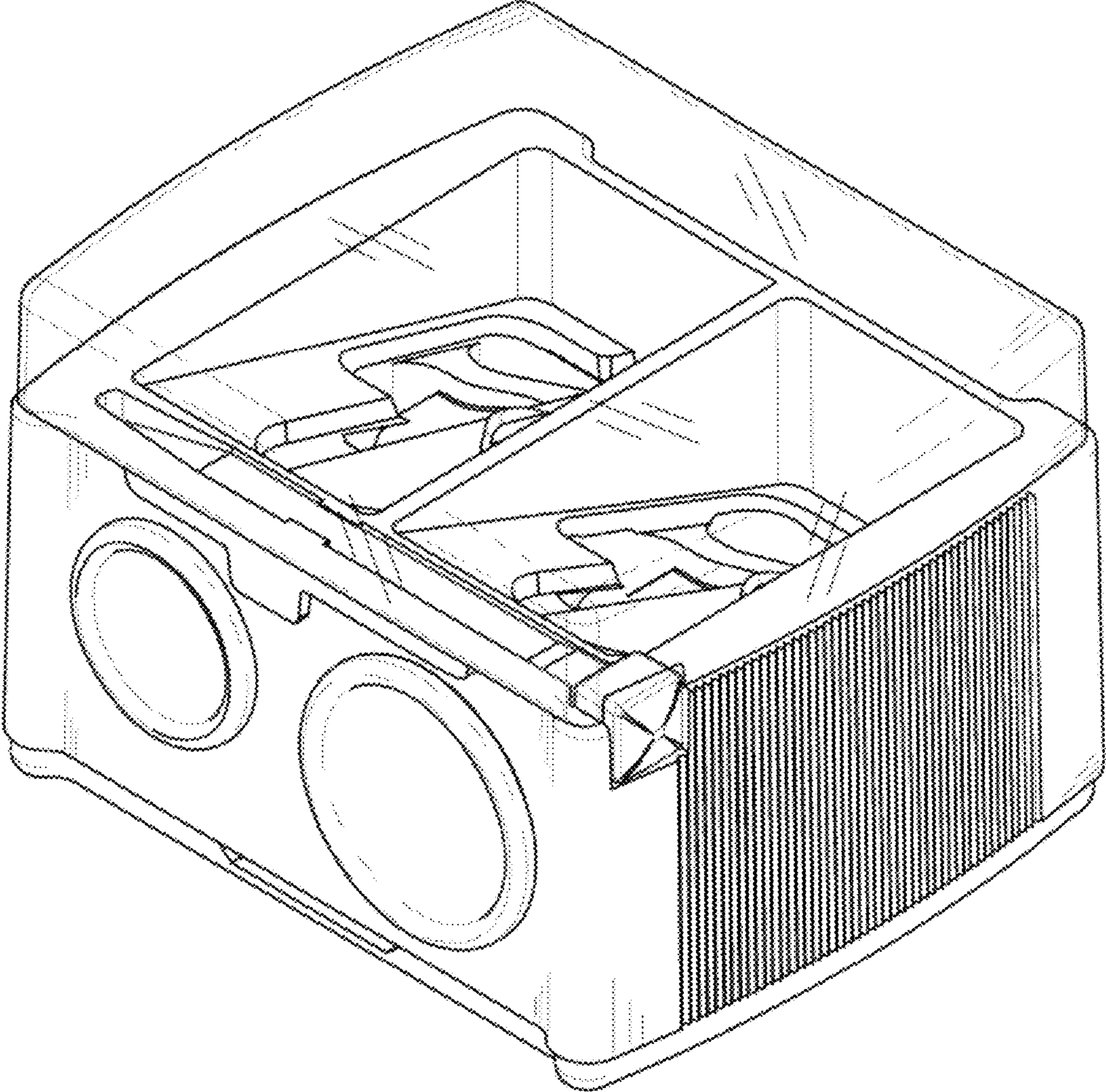


FIG. 2

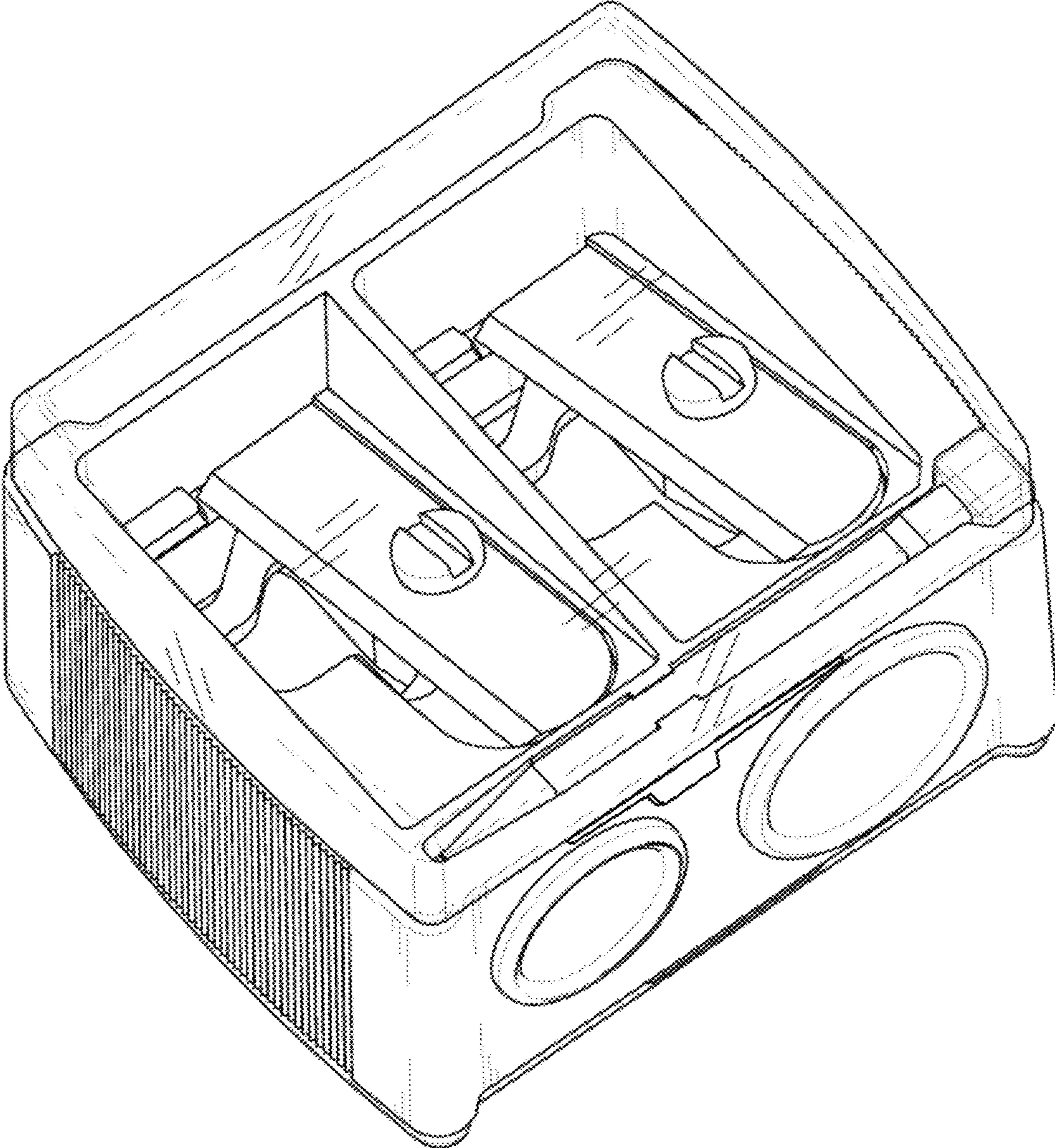


FIG. 3

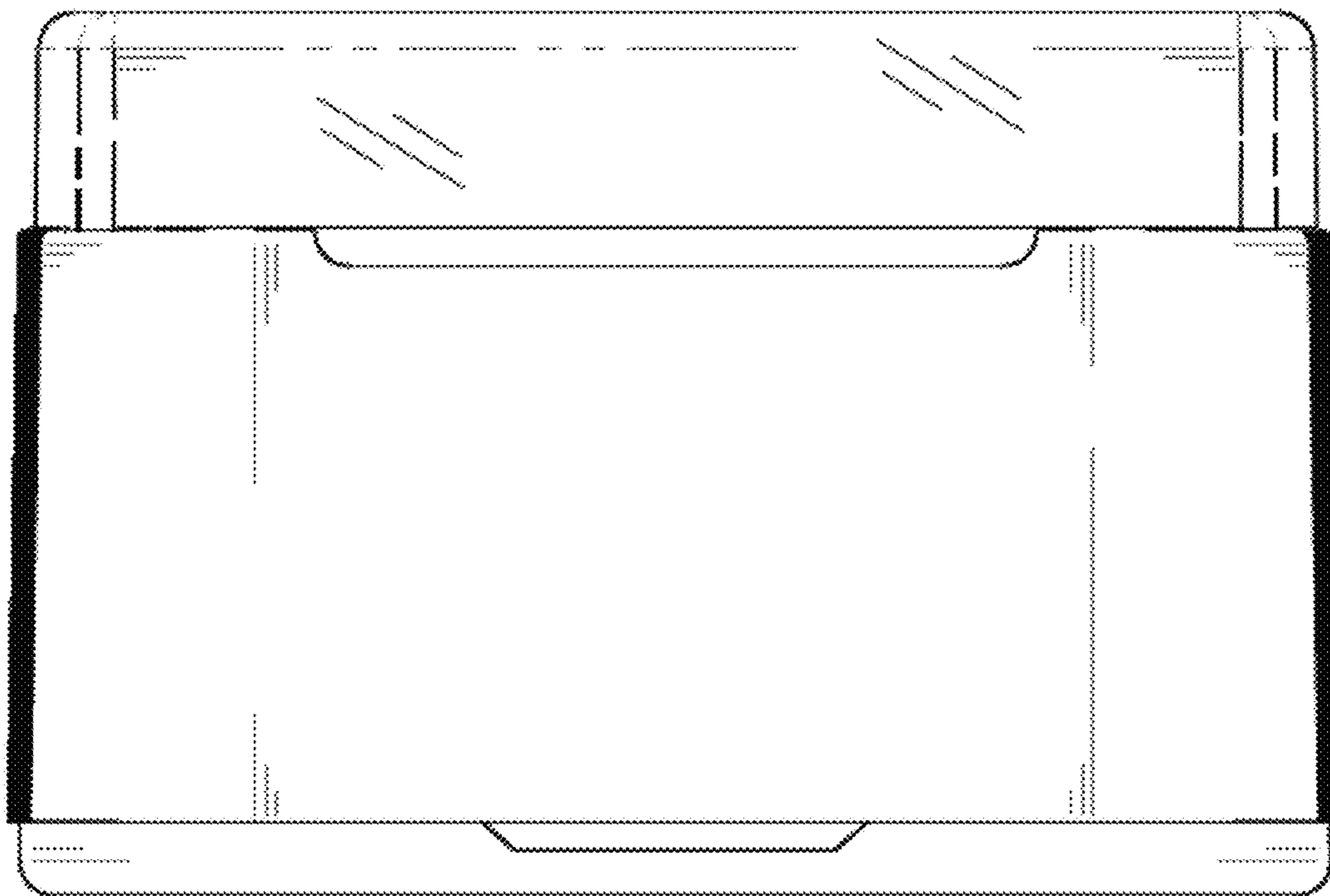


FIG. 4

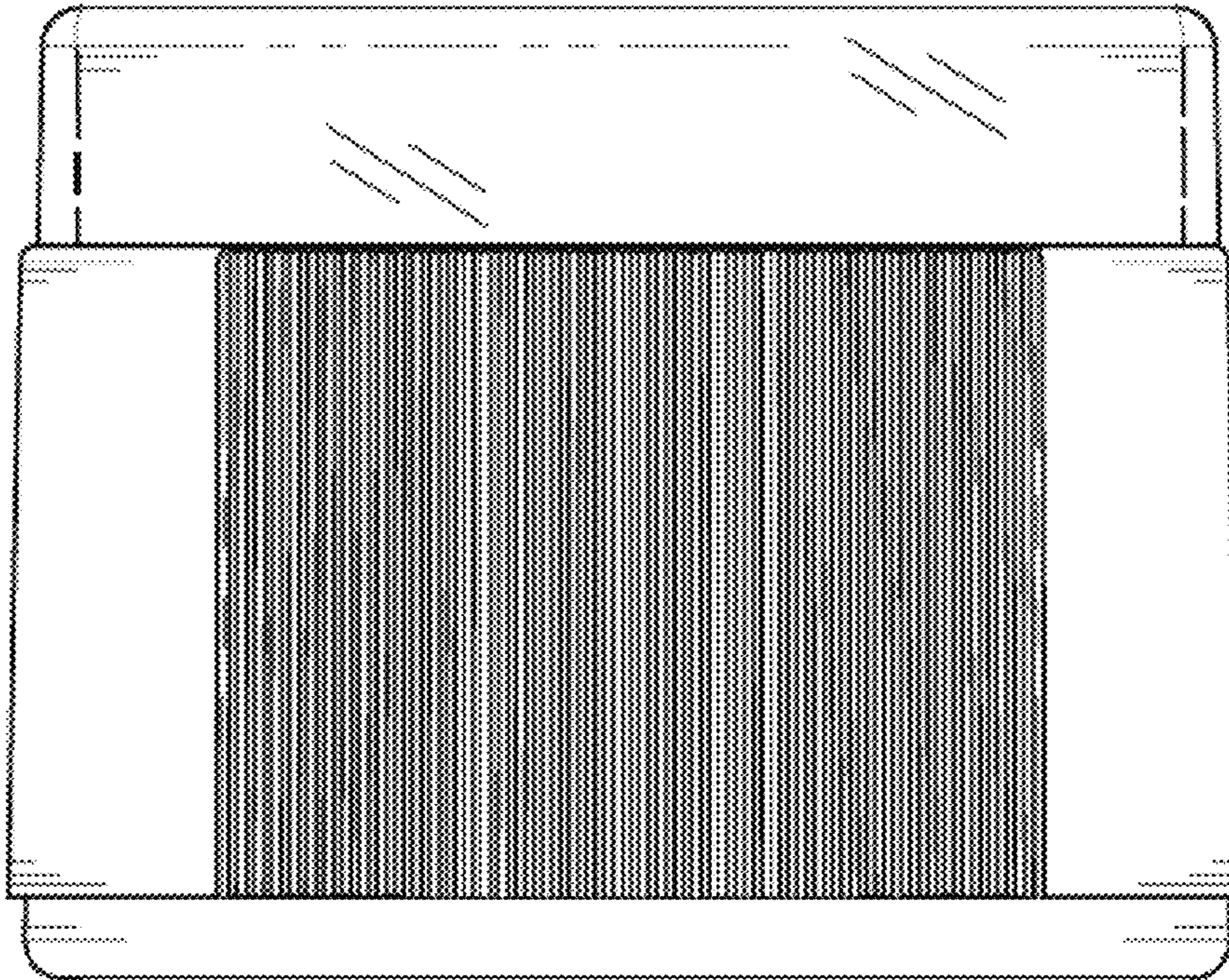


FIG. 5

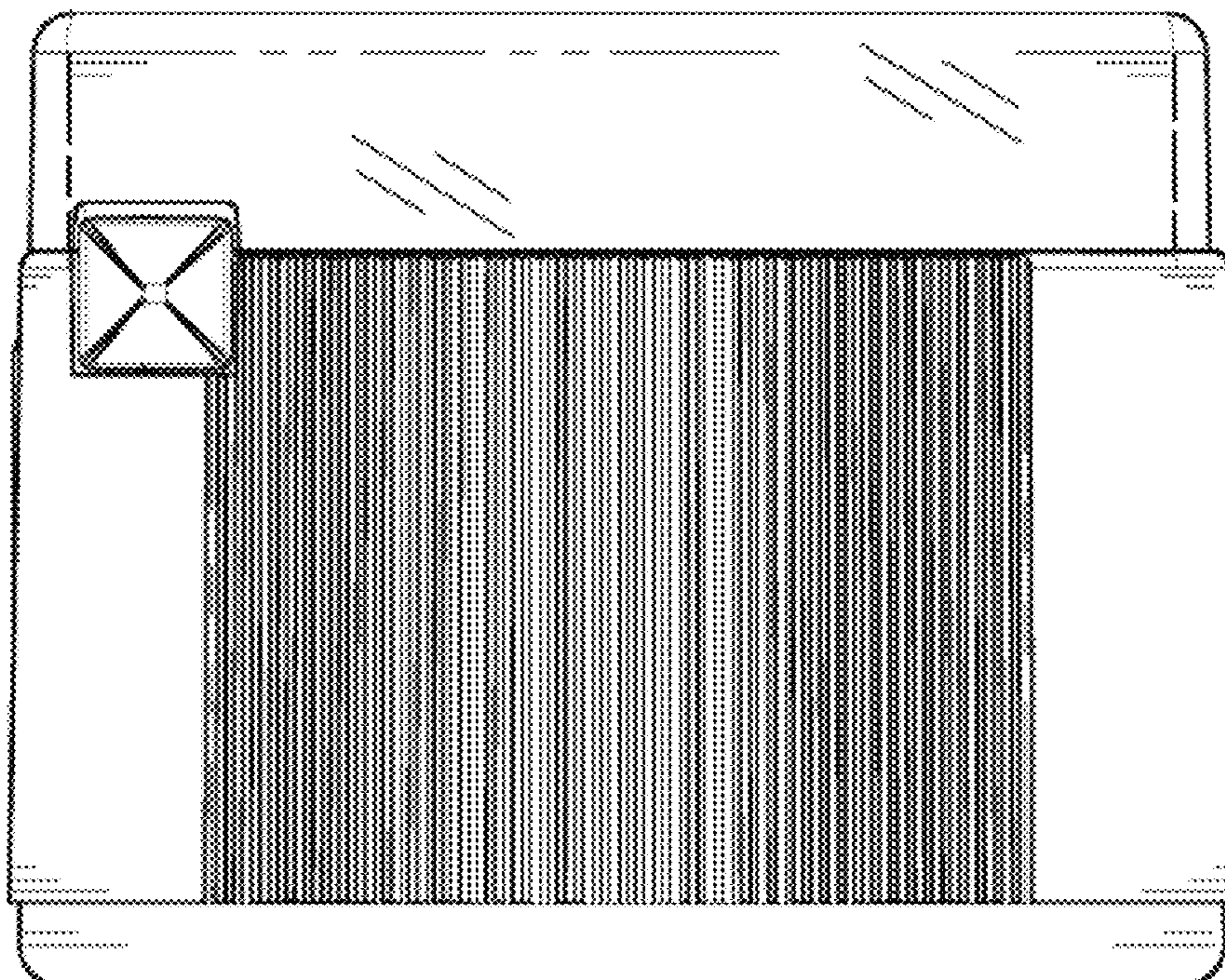


FIG. 6

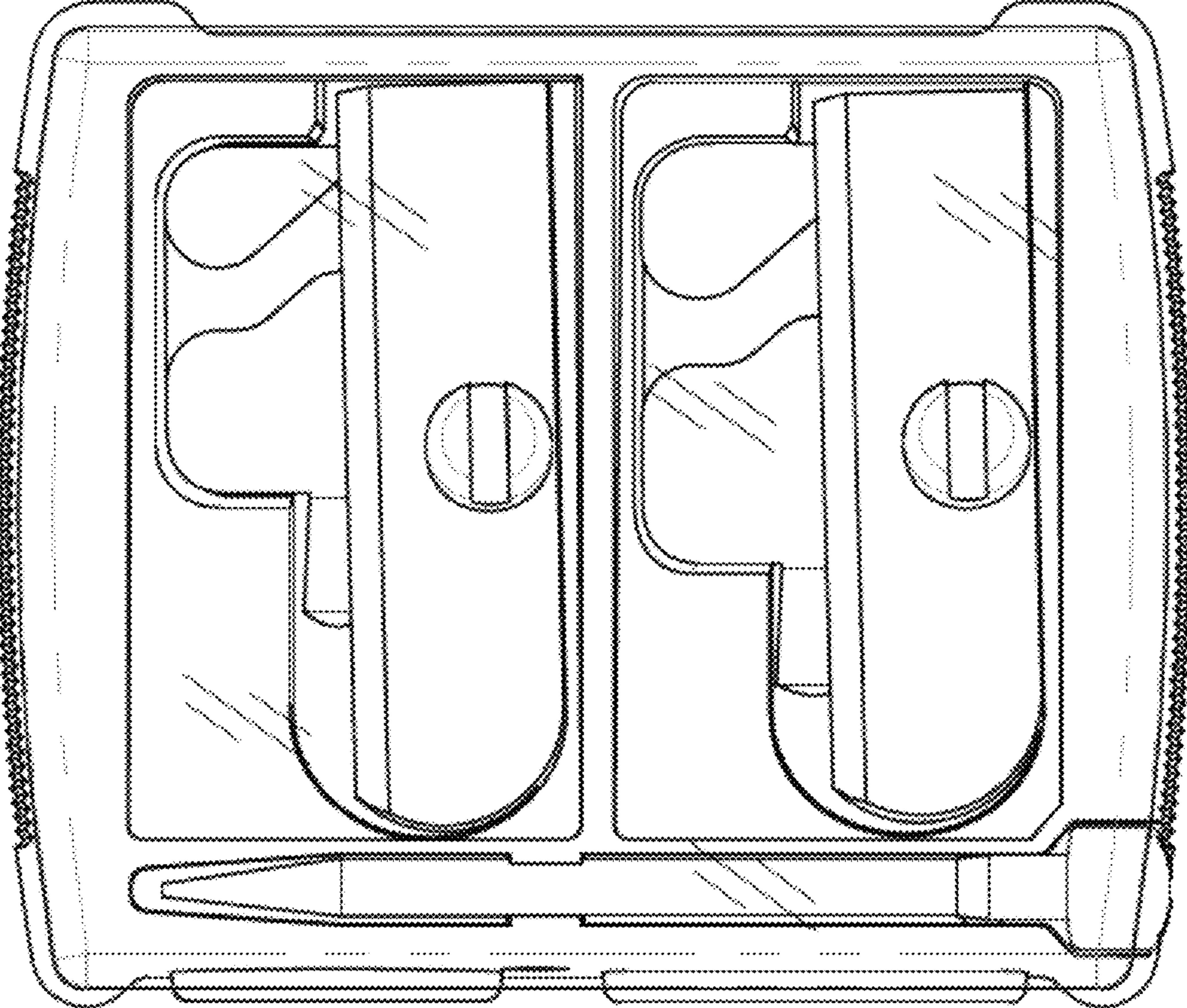


FIG. 7

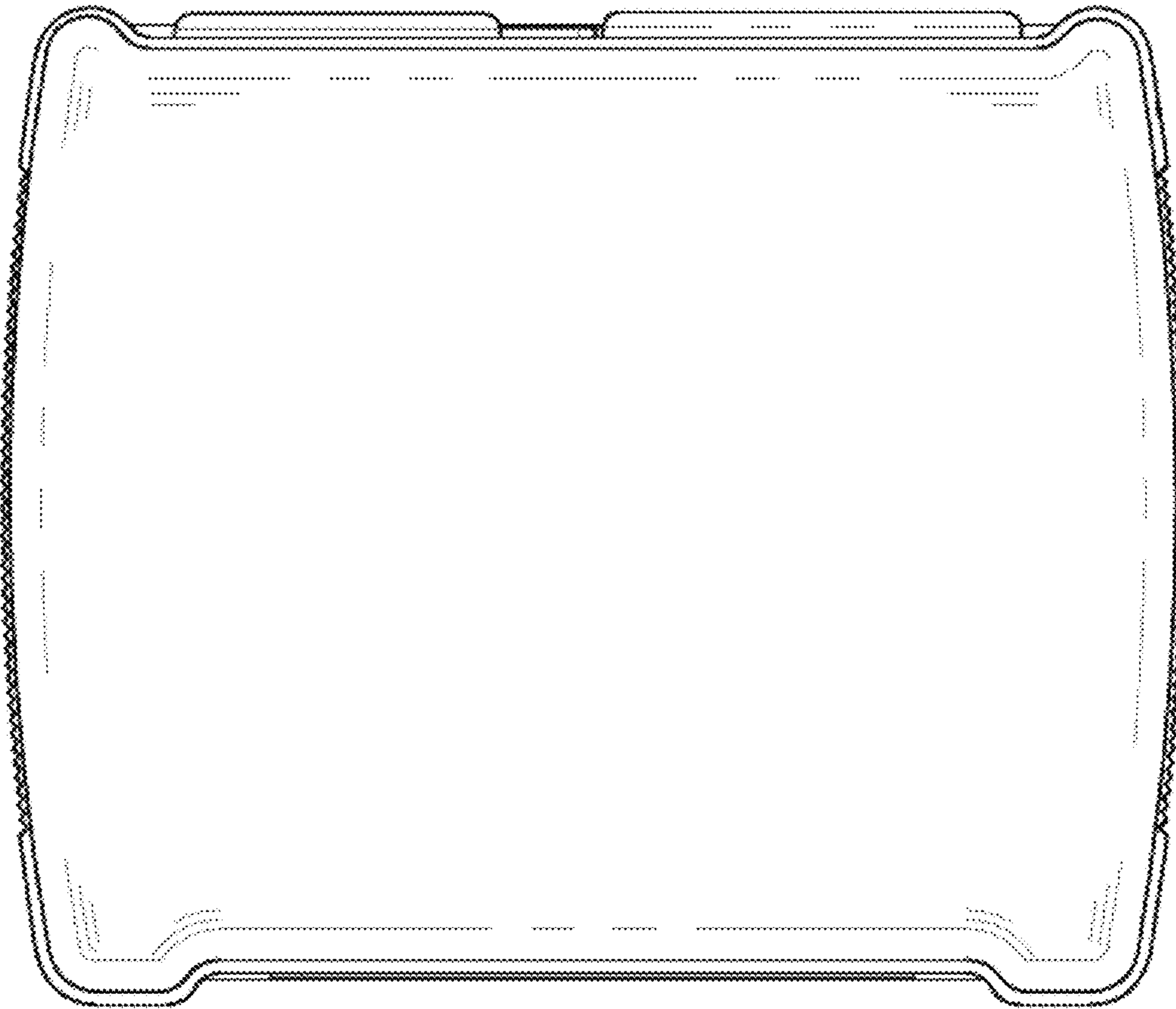


FIG. 8

