



US00D800824S

(12) **United States Design Patent** (10) **Patent No.:** **US D800,824 S**
Jacob et al. (45) **Date of Patent:** **** Oct. 24, 2017**

(54) **CAMERA STAND BASE**

OTHER PUBLICATIONS

(71) Applicant: **GOOGLE INC.**, Mountain View, CA (US)

Wasserstein Nest Cam Wall Mount review, [online] Published Sep. 13, 2016. Retrieved from URL: <http://the-gadgeteer.com/2016/09/13/wasserstein-nest-cam-wall-mount-review/>, 7 pgs.

(72) Inventors: **Rochus Jacob**, San Francisco, CA (US); **Francois Rybarczyk**, San Francisco, CA (US); **Adam Scott Kilgore**, San Rafael, CA (US); **Adam Duckworth Mittleman**, Redwood City, CA (US); **Jason Evans Goulden**, Los Gatos, CA (US)

(Continued)

Primary Examiner — Vy Koenig
(74) *Attorney, Agent, or Firm* — Morgan, Lewis & Bockius LLP

(73) Assignee: **GOOGLE INC.**, Mountain View, CA (US)

(57) **CLAIM**

The ornamental design for a camera stand base, as shown and described.

(**) Term: **15 Years**

DESCRIPTION

(21) Appl. No.: **29/530,169**

(22) Filed: **Jun. 14, 2015**

Related U.S. Application Data

(63) Continuation of application No. 14/738,880, filed on Jun. 13, 2015, now Pat. No. 9,388,934.

(51) **LOC (10) Cl.** **16-05**

(52) **U.S. Cl.**
USPC **D16/245**

(58) **Field of Classification Search**
USPC D16/206, 219, 235, 237–245, 250;
D14/251, 253; D8/107, 303, 354, 355,
(Continued)

(56) **References Cited**

U.S. PATENT DOCUMENTS

777,996 A 12/1904 Applegate
D134,016 S 10/1942 Du Mais
(Continued)

FOREIGN PATENT DOCUMENTS

DE 9407862 U1 9/1995
DE 202012101588 7/2012
WO WO 2013/133461 9/2013

The present application is related to U.S. patent application Ser. No. 29/530,172, entitled “Camera,” filed on Jun. 14, 2015; U.S. patent application Ser. No. 29/530,171, entitled “A Stand Assembly,” filed on Jun. 14, 2015; and U.S. patent application Ser. No. 29/530,170, entitled “A Receiving Element of a Stand Assembly,” filed on Jun. 14, 2015, each of which is hereby incorporated by reference in its entirety.

FIG. 1 is a perspective view of a camera stand base showing the new design.

FIG. 2 is a side view of the camera stand base shown in FIG. 1.

FIG. 3 is a bottom view of the camera stand base shown in FIG. 1.

FIG. 4 is a front view of the camera stand base shown in FIG. 1.

FIG. 5 is a top view of the camera stand base shown in FIG. 1.

FIG. 6 is a perspective view of another camera stand base including a mount structure and the camera stand base shown in FIG. 1.

FIG. 7 is a bottom view of the camera stand base shown in FIG. 6.

FIG. 8 is a perspective view of another embodiment of a camera stand base showing the new design.

FIG. 9 is a side view of the camera stand base shown in FIG. 8; and,

(Continued)

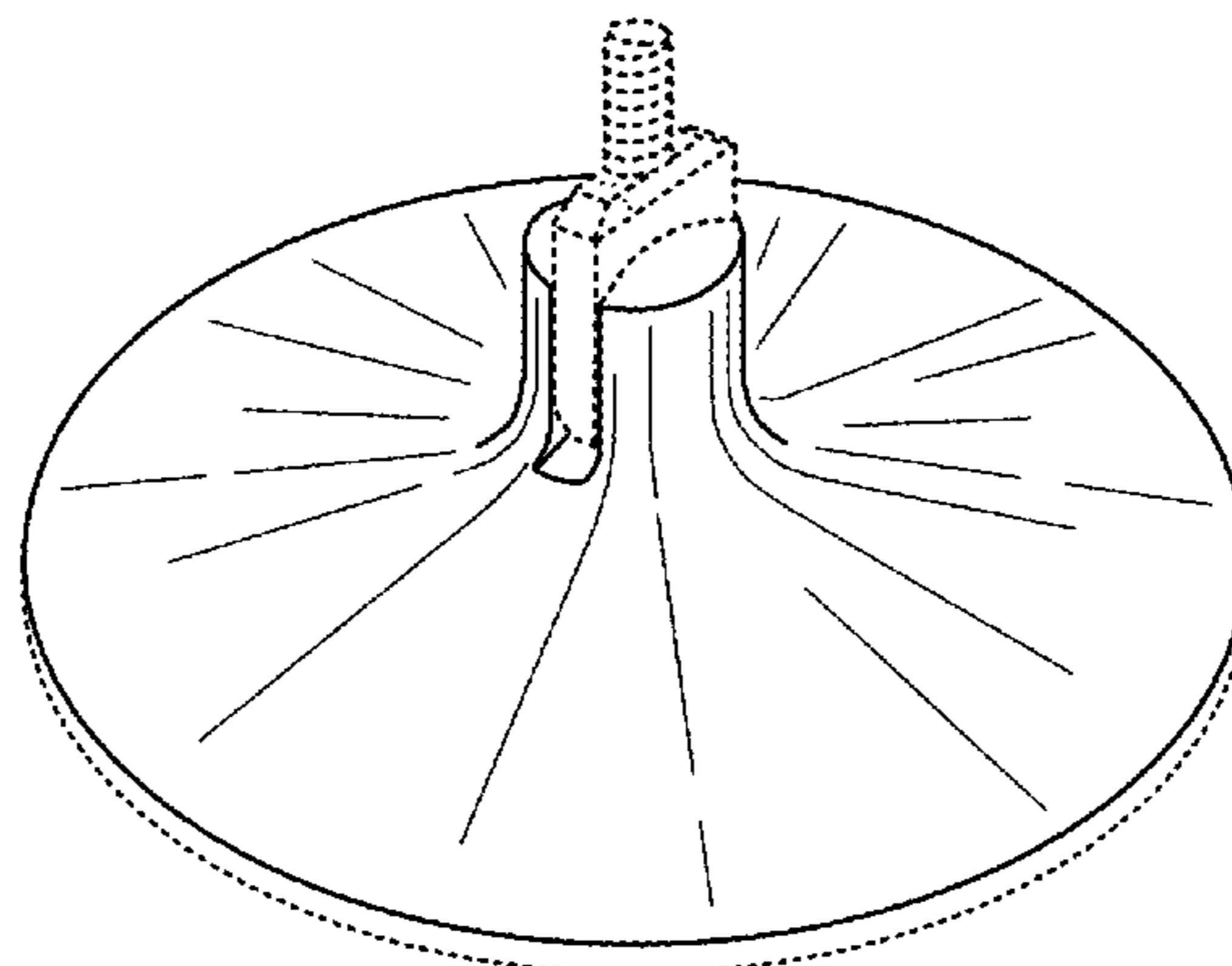


FIG. 10 is a perspective view of a camera stand base including a camera, a receiving element, and a camera stand base shown in FIG. 1.

The broken lines in the above described figures depict elements of the camera stand base and environmental features that form no part of the claimed design.

1 Claim, 6 Drawing Sheets

(58) **Field of Classification Search**

USPC D8/356, 363, 367, 373, 380, 383, 387, D8/394, 396
 CPC G03B 17/56; G03B 17/561–17/568; G02B 7/00–7/002; H04N 5/2253–5/2254; F16M 11/04–11/12; F41B 5/14
 See application file for complete search history.

(56) **References Cited**

U.S. PATENT DOCUMENTS

D162,989 S 4/1951 Rizzatti
 2,833,849 A 11/1955 Abel
 D191,141 S 8/1961 Stevenson
 3,138,661 A 6/1964 Grashow
 3,428,286 A 2/1969 Del Pesco
 3,626,421 A 12/1971 Santana et al.
 D227,599 S * 7/1973 Wisgin D20/41
 D262,041 S * 11/1981 Schmidt D19/186
 4,336,916 A 6/1982 Blanchard
 D275,868 S * 10/1984 Ake D20/43
 D290,662 S * 7/1987 Basil D6/310
 4,739,353 A 4/1988 Heuer et al.
 4,804,984 A 2/1989 Heuer et al.
 4,953,698 A 9/1990 Gregorich et al.
 D311,933 S * 11/1990 Adams D20/43
 D359,052 S * 6/1995 Nagele D14/253
 D367,418 S 2/1996 Lathrop
 5,523,934 A 6/1996 Dworman et al.
 D371,508 S 7/1996 Sagol
 5,597,149 A 1/1997 Hodge
 5,649,256 A 7/1997 Wen
 D382,287 S 8/1997 Palmer
 5,673,829 A 10/1997 Hartshorn
 5,738,321 A 4/1998 Moriyasu
 5,764,194 A 6/1998 Brown
 6,042,080 A 3/2000 Shepherd et al.
 D429,998 S 8/2000 Snell
 D440,243 S 4/2001 Jacquet
 D445,819 S 7/2001 Backs et al.
 D450,962 S * 11/2001 Hundley D6/521
 D465,188 S 11/2002 McCoy et al.
 6,474,471 B1 11/2002 Miyake
 D490,694 S * 6/2004 Levine-Umans D8/363
 D498,624 S 11/2004 Chen
 D512,372 S * 12/2005 Sakai D13/108
 7,126,556 B1 10/2006 Wang
 D537,668 S 3/2007 Murray
 D537,856 S * 3/2007 Tsao 248/160
 D545,857 S 7/2007 Yip et al.
 D550,488 S * 9/2007 Nip D6/521
 7,298,969 B2 11/2007 Elberbaum
 D558,250 S * 12/2007 Hsia D16/203
 7,303,171 B1 12/2007 Chen
 D565,618 S 4/2008 Yip et al.
 D569,713 S 5/2008 Sandidge
 D573,622 S 7/2008 Fisher et al.
 D575,316 S 8/2008 Liu et al.
 D577,527 S * 9/2008 Yu D6/521

7,559,518 B2 7/2009 Ye
 D600,728 S 9/2009 Braganca et al.
 D602,967 S 10/2009 Hui
 D613,292 S 4/2010 Carver
 D621,077 S 8/2010 Fleischman
 D636,174 S 4/2011 Smith
 D636,513 S 4/2011 Furtsch
 D638,461 S * 5/2011 Kim D16/235
 8,072,536 B1 12/2011 Campbell
 D662,957 S 7/2012 Stubel
 D672,225 S 12/2012 Virnig
 D688,289 S 8/2013 Hodgson
 8,511,625 B2 8/2013 Stefan
 8,596,890 B2 12/2013 Yim et al.
 D700,504 S 3/2014 Blocker
 D719,205 S 12/2014 Matsumoto
 D719,605 S 12/2014 Dordick
 8,902,355 B2 12/2014 Dudkowski
 D721,396 S 1/2015 Gustaveson, II
 D726,806 S 4/2015 Demars
 D726,807 S 4/2015 DeMars
 8,998,512 B1 4/2015 Celler
 D729,296 S 5/2015 Shelton
 9,057,934 B2 6/2015 Lellky
 D734,801 S 7/2015 Yang
 D740,871 S 10/2015 Moon et al.
 D742,954 S 11/2015 Simonelli et al.
 D746,350 S * 12/2015 Li D16/203
 9,309,012 B1 4/2016 Kilgore et al.
 D755,880 S * 5/2016 Luo D16/214
 9,327,851 B1 5/2016 Kilgore et al.
 9,377,157 B1 6/2016 Kilgore et al.
 9,388,934 B1 7/2016 Kilgore et al.
 9,415,921 B2 8/2016 Marchetti et al.
 9,423,672 B1 8/2016 Kilgore et al.
 D775,682 S 1/2017 Ou et al.
 D775,684 S 1/2017 Jacob et al.
 2001/0020975 A1 9/2001 Kerai et al.
 2003/0161623 A1 8/2003 Saruhashi
 2003/0201371 A1 10/2003 Zadok
 2005/0122424 A1 6/2005 Overstreet
 2006/0113214 A1 6/2006 Shimizu et al.
 2007/0152117 A1 * 7/2007 Byrd F16M 11/08
 248/187.1
 2007/0278366 A1 12/2007 McGill
 2007/0284496 A1 12/2007 Yokota
 2008/0061199 A1 3/2008 Chen
 2008/0068493 A1 3/2008 Hida et al.
 2008/0093514 A1 4/2008 Carnevali
 2009/0308993 A1 12/2009 Chang
 2011/0163211 A1 7/2011 Cicco
 2012/0043439 A1 2/2012 Liao
 2013/0010143 A1 1/2013 Phillips
 2013/0215322 A1 8/2013 Haler
 2013/0244816 A1 9/2013 Lignelli et al.
 2013/0270317 A1 10/2013 Wang
 2013/0279098 A1 10/2013 Cho
 2013/0292531 A1 11/2013 Schaefer et al.
 2014/0226061 A1 8/2014 Kuehl et al.
 2015/0122852 A1 5/2015 Feng
 2016/0296002 A1 10/2016 Srey
 2016/0353867 A1 12/2016 Due

OTHER PUBLICATIONS

Nest—Cam Security Camera—Black/Silver, [online] Retrieved May 16, 2017 from URL: <http://www.bestbuy.com/site/nest-cam-security-camerablacksilver/6473147.p?skuId=6473147&ext-StoreId=&ref=212&loc=1&ksid=7db5bd2d%C2cY0AD2404*Yo-C2%AD41d3cY0C2YoAD86b9cY0C2cY0AD*YoE2%080%A61/3>, 3 pgs.

* cited by examiner

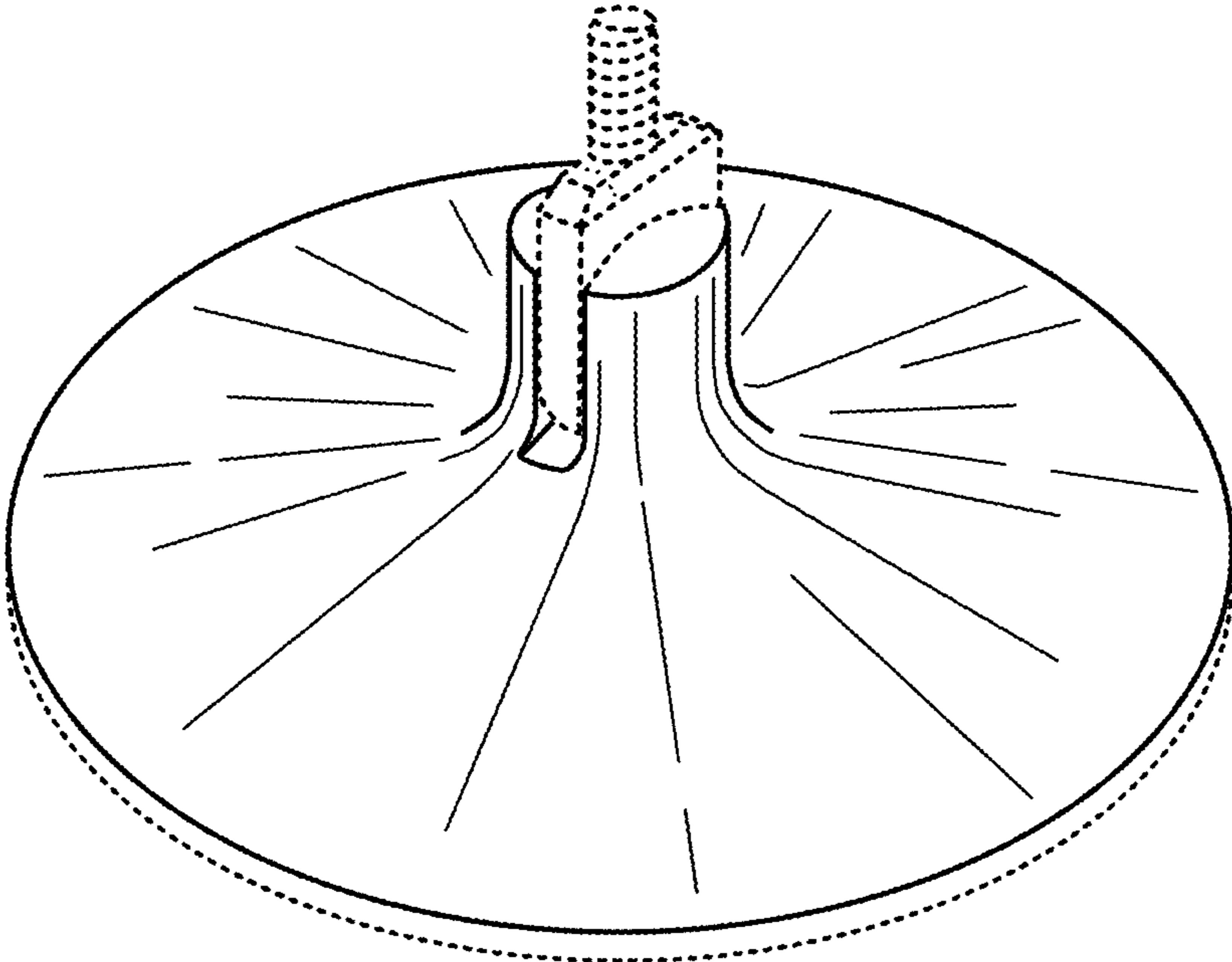


FIG. 1

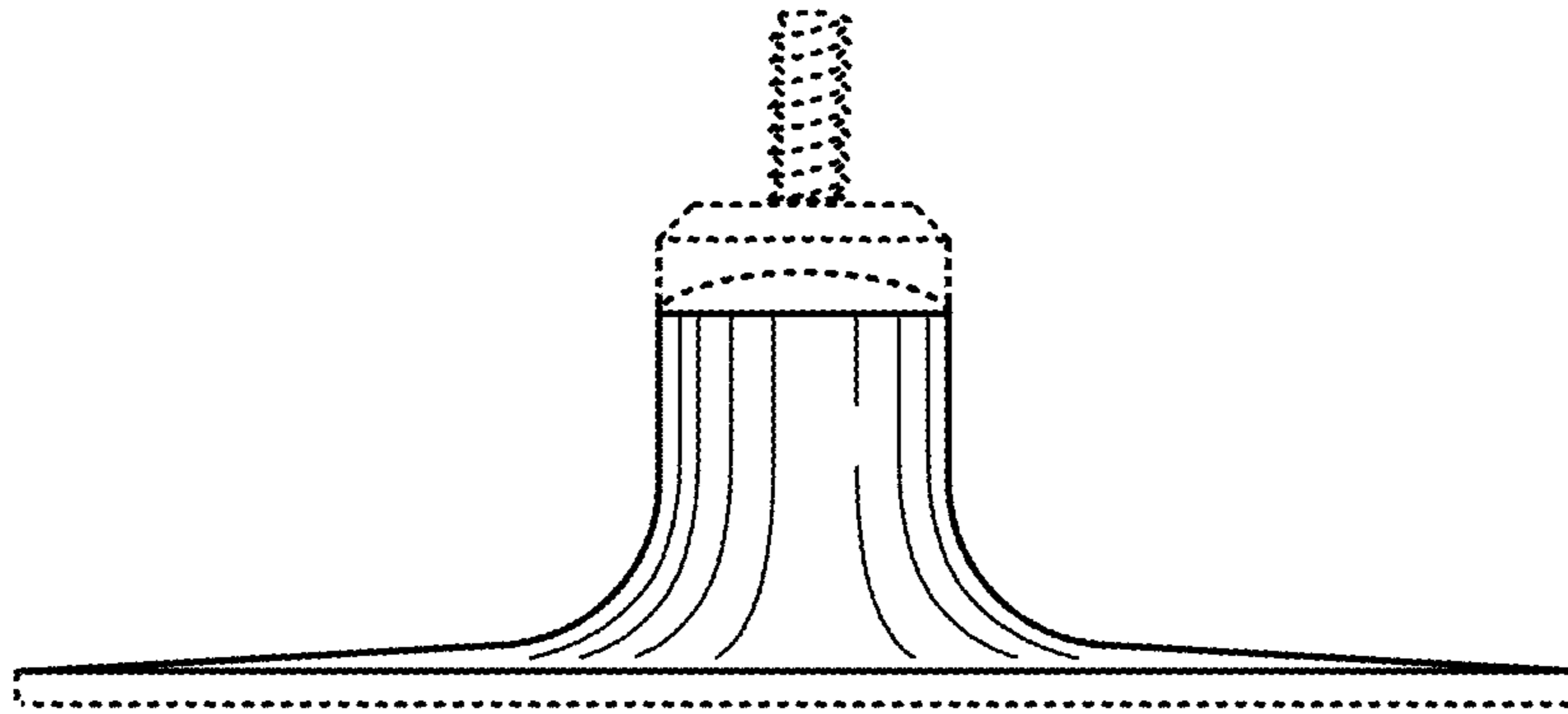


FIG. 2

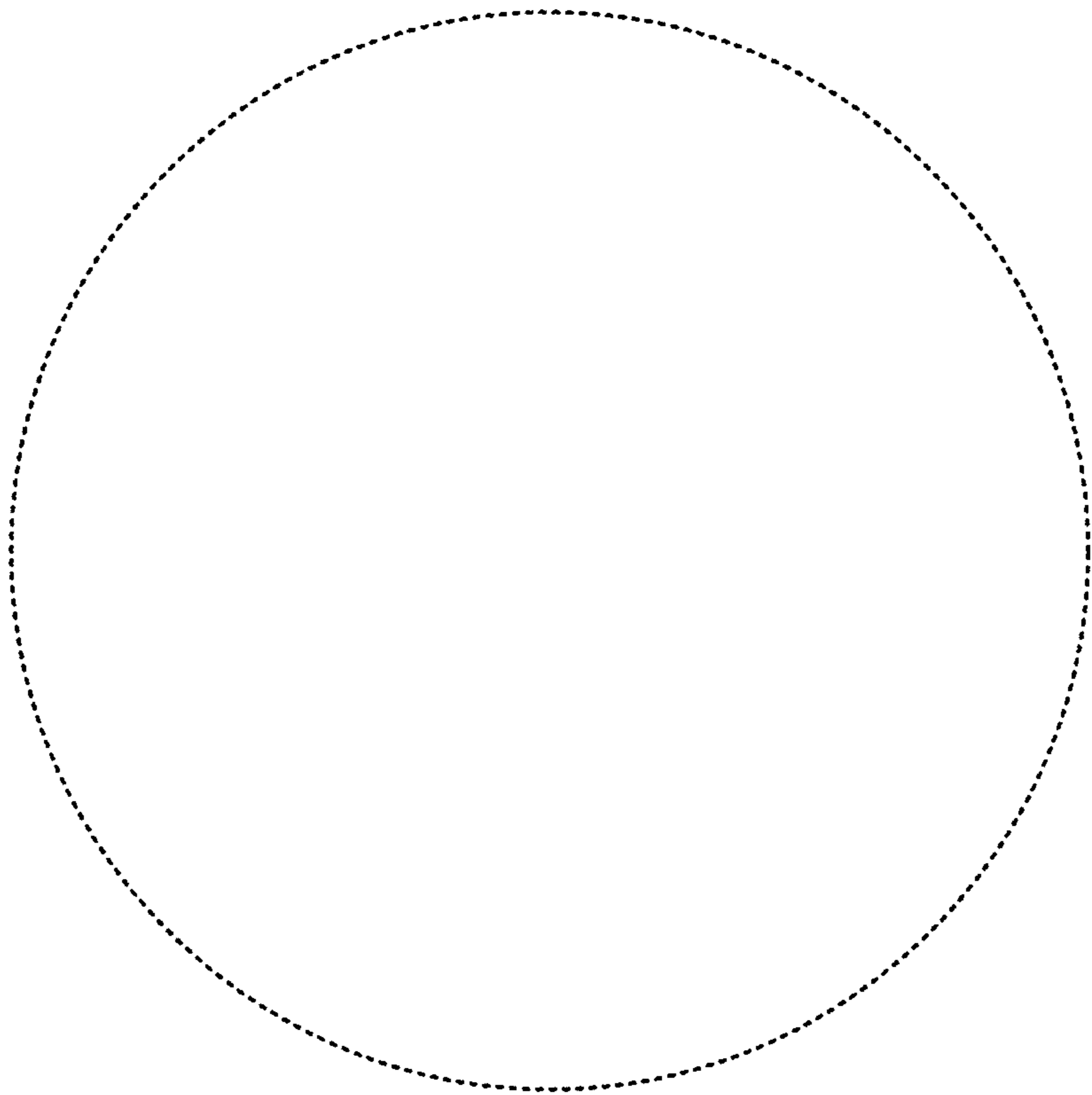


FIG. 3

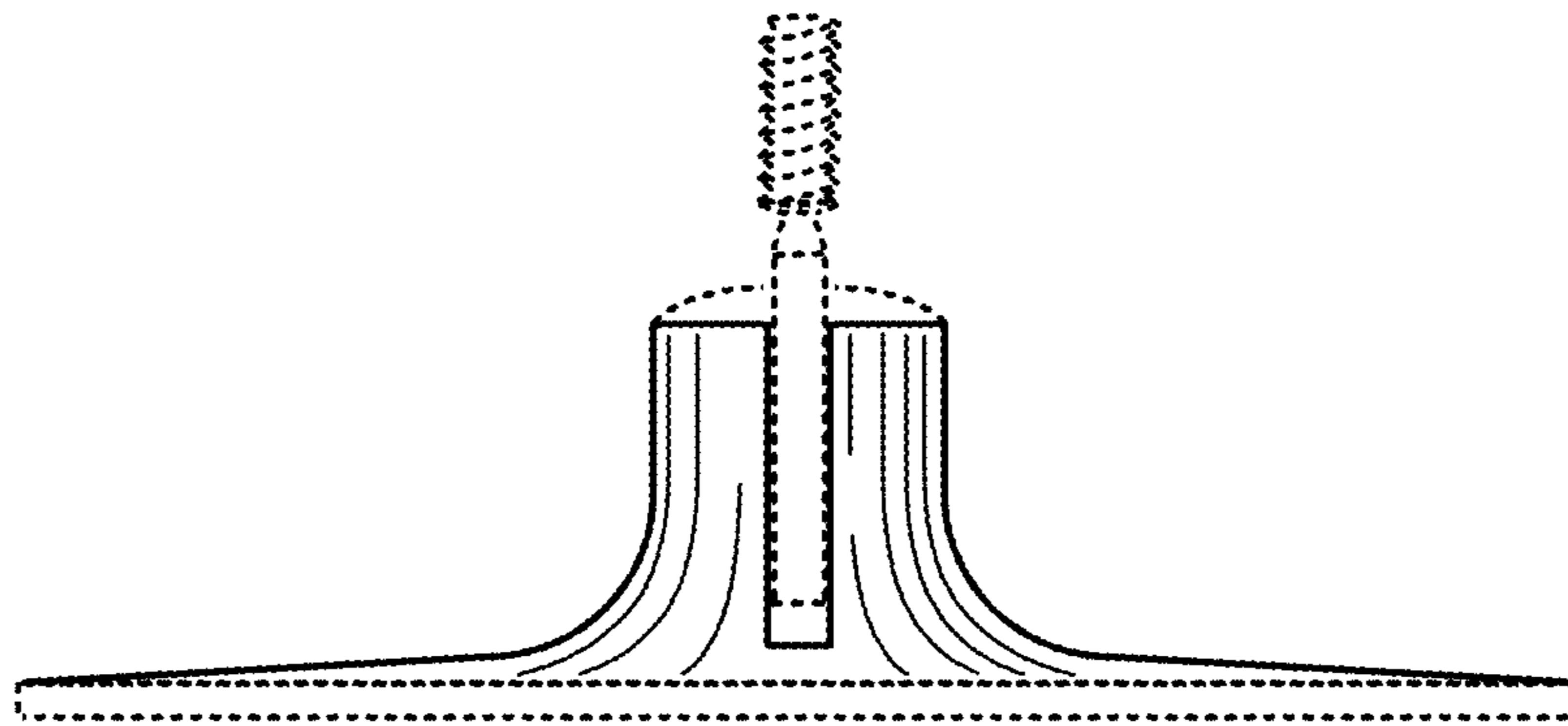


FIG. 4

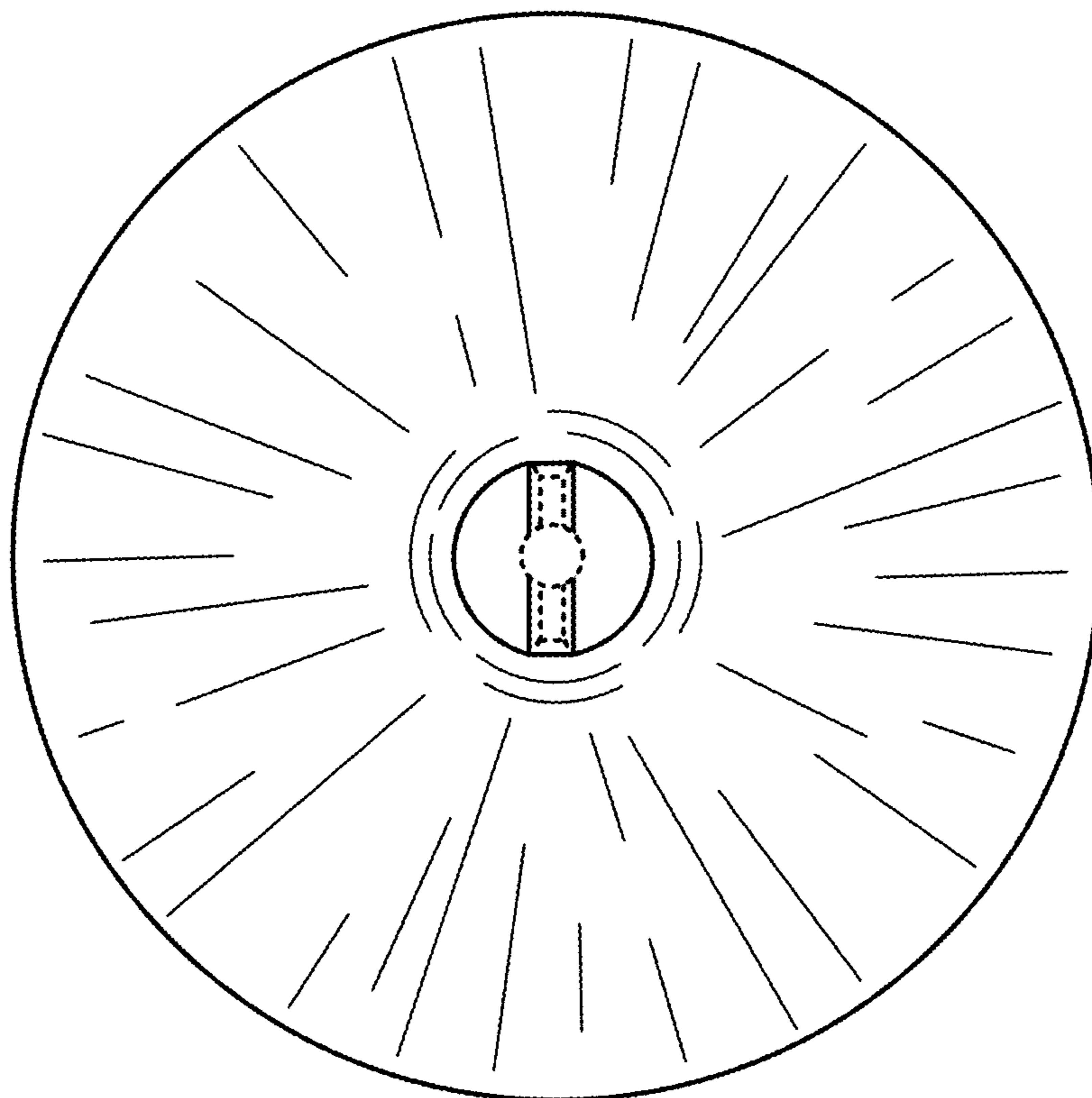


FIG. 5

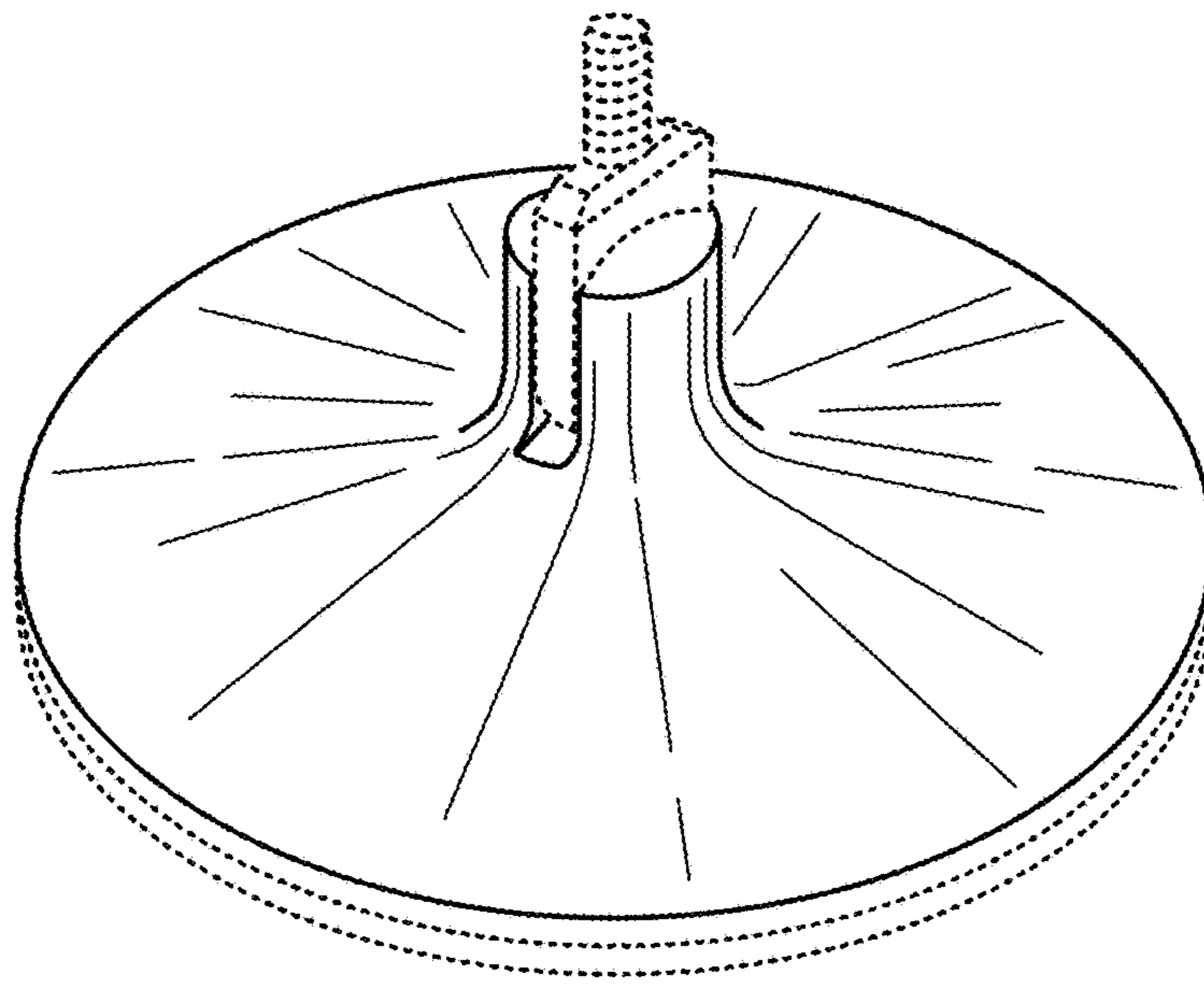


FIG. 6

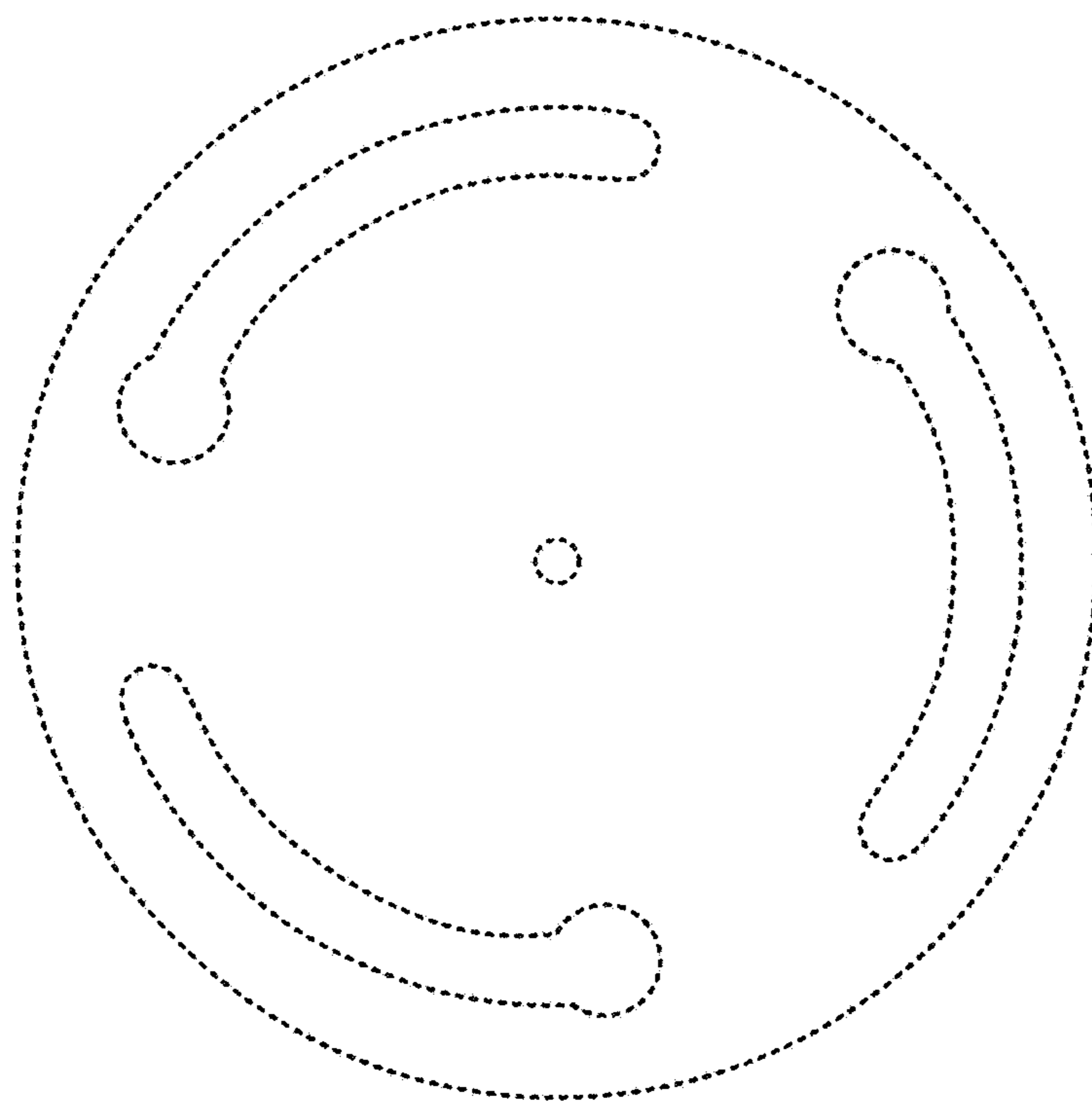


FIG. 7

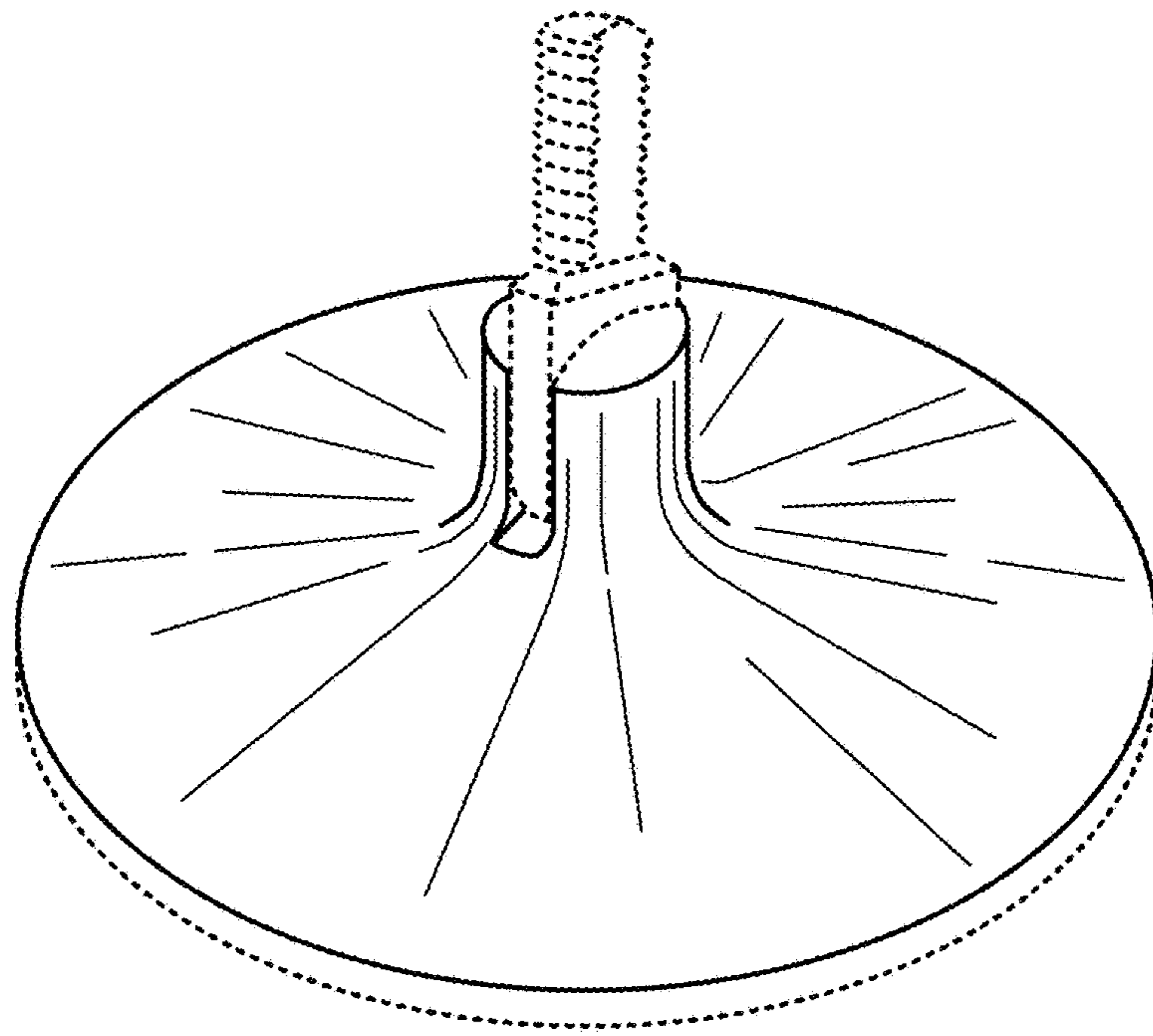


FIG. 8

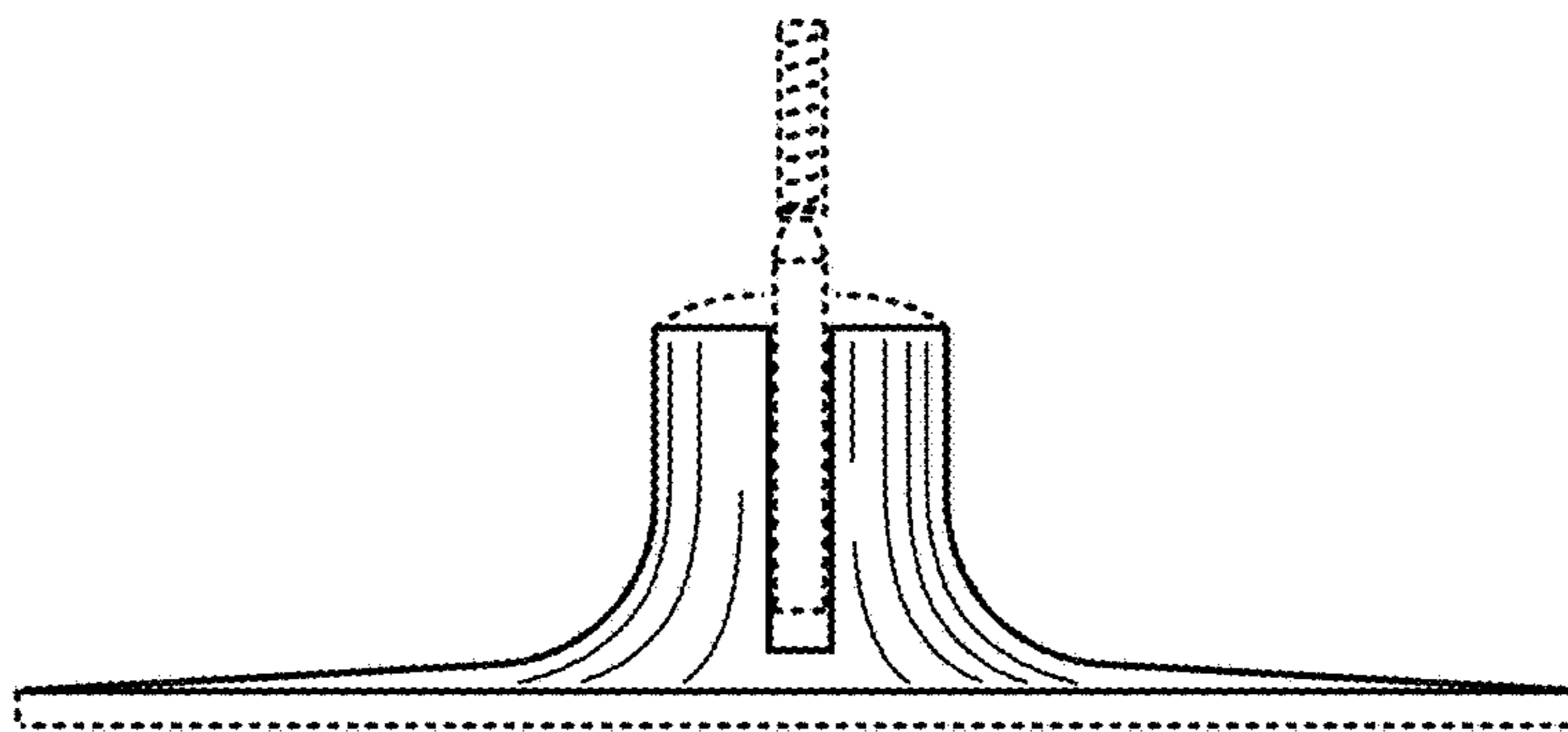


FIG. 9

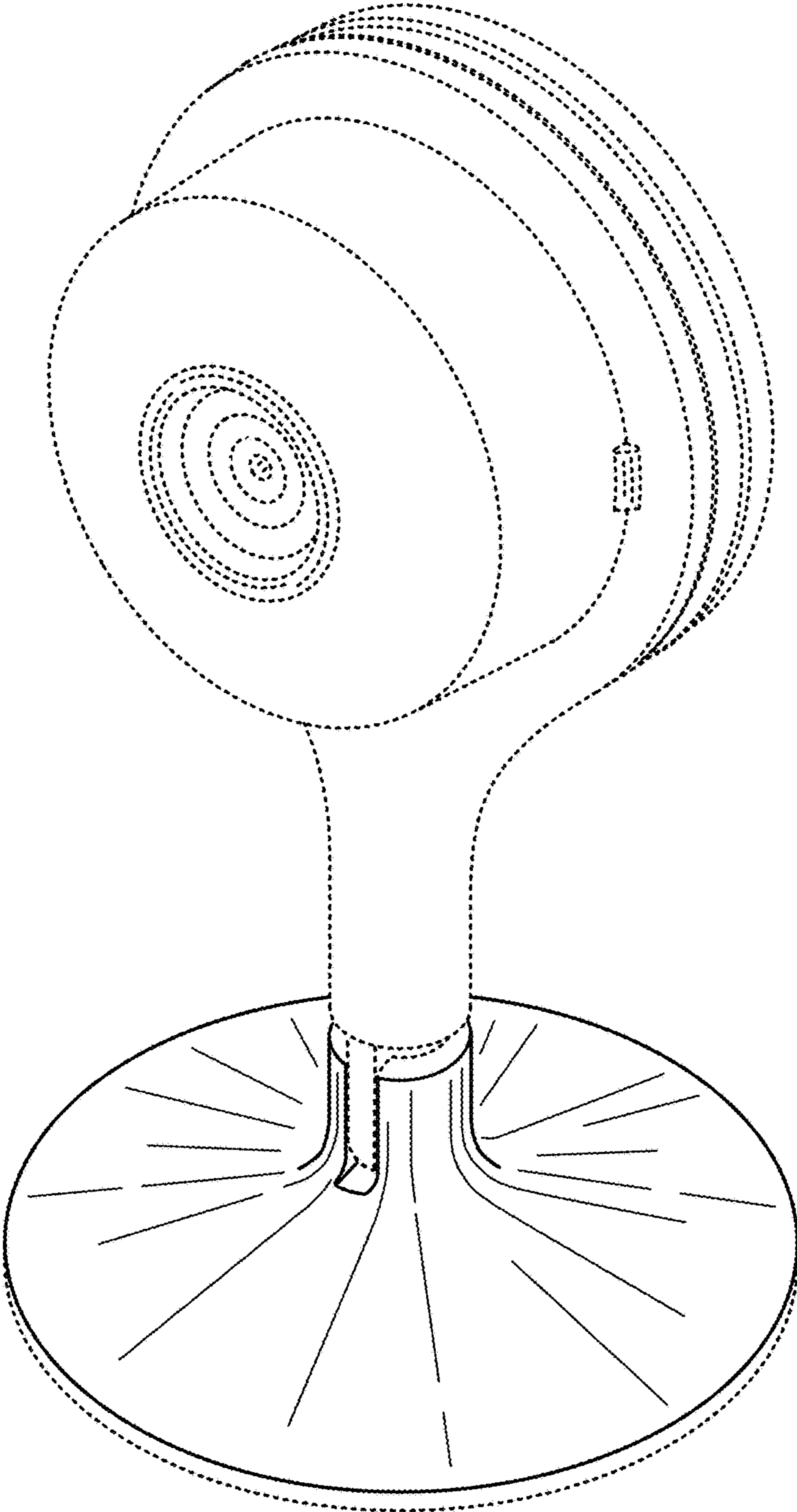


FIG. 10