



US00D800822S

(12) **United States Design Patent**  
**Costa et al.**

(10) **Patent No.:** **US D800,822 S**  
(45) **Date of Patent:** **\*\* Oct. 24, 2017**

(54) **CAMERA MOUNT**

(71) Applicant: **GoPro, Inc.**, San Mateo, CA (US)

(72) Inventors: **Mark E. Costa**, Menlo Park, CA (US);  
**Matthew D. Thomas**, Castro Valley,  
CA (US); **Arthur Kwun**, Newark, CA  
(US)

(73) Assignee: **GoPro, Inc.**, San Mateo, CA (US)

(\*\*) Term: **15 Years**

(21) Appl. No.: **29/561,954**

(22) Filed: **Apr. 21, 2016**

**Related U.S. Application Data**

(63) Continuation of application No. 29/524,866, filed on  
Apr. 23, 2015, now Pat. No. Des. 758,473.

(51) **LOC (10) Cl.** ..... **16-05**

(52) **U.S. Cl.**  
USPC ..... **D16/242**

(58) **Field of Classification Search**  
USPC ..... D16/206, 219, 235, 237-250; D14/224,  
D14/229, 238, 251, 447, 451, 457;  
D8/354, 355, 363, 367-371, 373,  
D8/382-383, 394-396  
CPC ..... G03B 17/56; G03B 17/561-17/568; G02B  
7/00-7/002; H04N 5/2253-5/2254; F16M  
11/04-11/12; A45F 5/00; A45F 5/10;  
A45F 2200/0508-2200/0533  
See application file for complete search history.

(56) **References Cited**

**U.S. PATENT DOCUMENTS**

D209,013 S 10/1967 McElroy  
D366,887 S 2/1996 Wood  
D372,189 S 7/1996 Andis et al.  
D373,947 S \* 9/1996 Parduhn ..... D8/373  
D395,996 S 7/1998 Fischer

D399,230 S 10/1998 Tenne  
5,842,069 A 11/1998 Konno  
5,887,375 A 3/1999 Watson  
6,315,180 B1 11/2001 Watkins  
6,654,235 B2 11/2003 Imsand  
D483,789 S 12/2003 Dordick  
D506,493 S 6/2005 Naito

(Continued)

**FOREIGN PATENT DOCUMENTS**

EP 0845399 A2 6/1998

**OTHER PUBLICATIONS**

GoPro Head Strap+QuickClip Kopfbandhalterung. [online]  
Retrieved May 16, 2017 from URL: <https://www.bikecomponents.  
de/en/GoPro/HeadStrapQuickClipKopfbandhalterungp37358/>.\*

(Continued)

*Primary Examiner* — Vy Koenig

(74) *Attorney, Agent, or Firm* — Fenwick & West LLP

(57) **CLAIM**

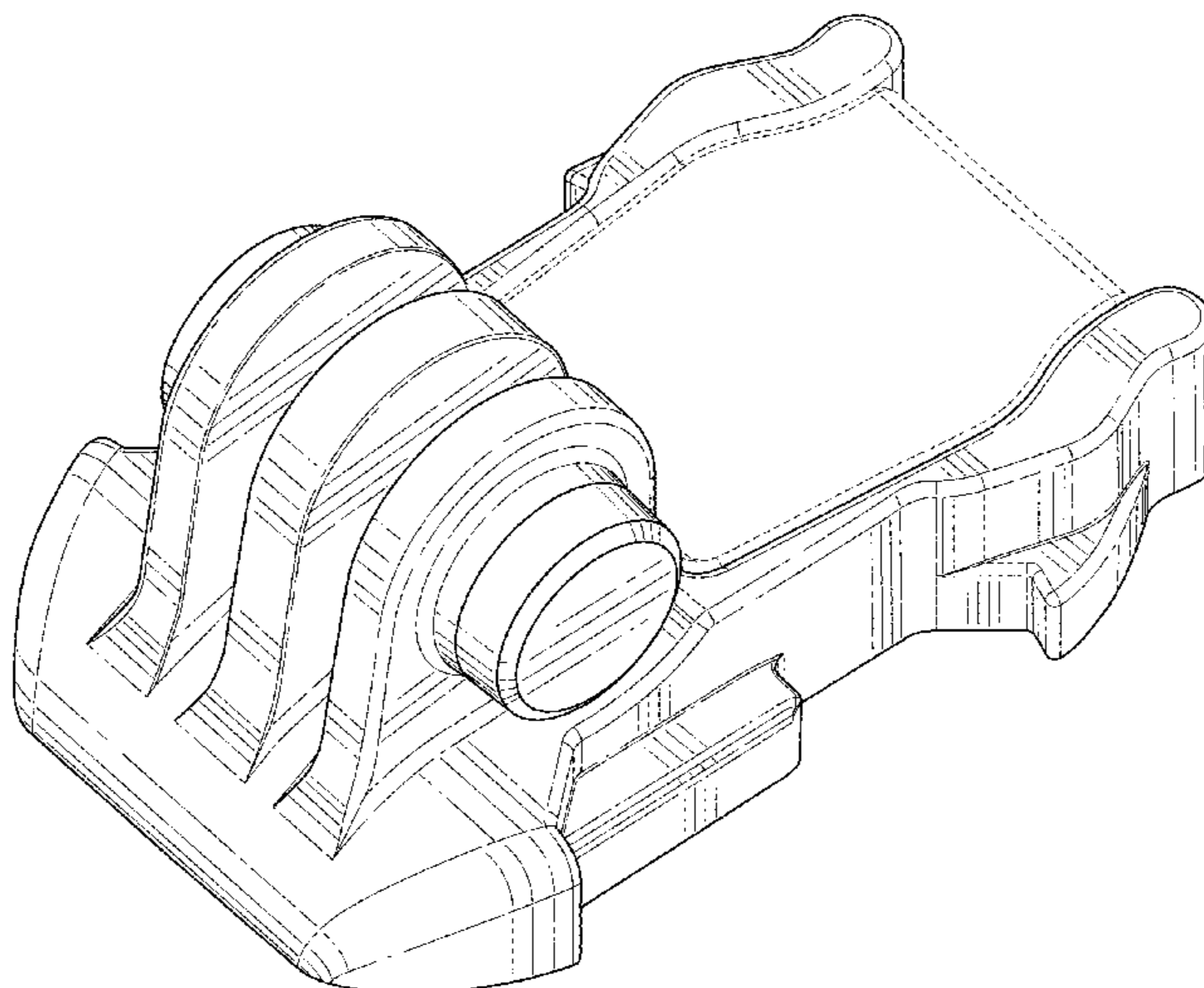
The ornamental design for a camera mount, as shown and  
described.

**DESCRIPTION**

FIG. 1 is a front, top, and right side perspective view of a  
camera mount;  
FIG. 2 is a rear, bottom, and left side perspective view  
thereof;  
FIG. 3 is a front elevational view thereof;  
FIG. 4 is a rear elevational view thereof;  
FIG. 5 is a left side elevational view thereof;  
FIG. 6 is a right side elevational view thereof;  
FIG. 7 is a top plan view thereof; and,  
FIG. 8 is a bottom plan view thereof.

The broken lines in the drawings are included for the  
purpose of illustrating environmental structure and form no  
part of the claimed design.

**1 Claim, 8 Drawing Sheets**



(56)

References Cited

U.S. PATENT DOCUMENTS

D602,974 S 10/2009 Zen  
 D616,286 S \* 5/2010 Foresman ..... D8/354  
 D631,081 S 1/2011 Richter  
 D635,445 S \* 4/2011 Foresman ..... D8/354  
 8,014,656 B2 9/2011 Woodman  
 D649,576 S 11/2011 Jannard et al.  
 8,199,251 B2 6/2012 Woodman  
 8,325,270 B2 12/2012 Woodman  
 D675,661 S 2/2013 Jannard et al.  
 D722,864 S 2/2015 Greenthal  
 D722,865 S 2/2015 Greenthal  
 9,004,783 B1 \* 4/2015 Woodman ..... F16M 11/00  
 396/419  
 9,033,596 B2 5/2015 Samuels  
 D757,842 S \* 5/2016 Harrison ..... D16/242  
 D758,473 S \* 6/2016 Costa ..... D16/242  
 D759,147 S \* 6/2016 Harrison ..... D16/242  
 9,426,341 B1 \* 8/2016 Baldrige ..... F16M 11/041  
 D776,745 S \* 1/2017 Bennett ..... D16/242  
 D776,746 S \* 1/2017 Bennett ..... D16/242  
 9,554,639 B1 \* 1/2017 Harden ..... A45F 5/00  
 9,596,926 B1 \* 3/2017 Volmer ..... A45F 5/02  
 2013/0107111 A1 \* 5/2013 Campbell ..... H04N 5/2252  
 348/373

2014/0027591 A1 1/2014 Fountain  
 2015/0316205 A1 \* 11/2015 Bennett ..... F16M 13/00  
 224/181  
 2017/0108759 A1 \* 4/2017 Clearman ..... G03B 17/561  
 2017/0108760 A1 \* 4/2017 Achenbach ..... G03B 17/561

OTHER PUBLICATIONS

Polaroid 2x Vertical Surface J-hook Buckle Mount for GoPro HERO4, 3+ and 3 Cameras. [online] Retrieved May 16, 2017 from URL: <<https://www.adorama.com/ipdgp2jhb.html>>.\*  
 Polaroid Quick Release Buckle Mount for GoPro HERO4, 3+ and 3 Cameras, 2 Pack. [online] Retrieved May 16, 2017 from URL: <<https://www.adorama.com/ipdgp2bm.html?gclid=CNnnhIH-c9NMCFRGHswodKWQCeg>>.\*  
 GoPro, Inc., "Grab Bag of Mounts," 2014, 2 Pages, [online][Archived on webarchive.org on Mar. 29, 2014][Retrieved on Aug. 31, 2015] Retrieved from the internet <URL:<https://web.archive.org/web/20140329112413/http://gopro.com/camera-mounts/grab-bag-of-mounts#features>>.  
 PCT International Search Report for Written Opinion for PCT/US2013/062061, Mar. 3, 2014, 15 Pages.

\* cited by examiner

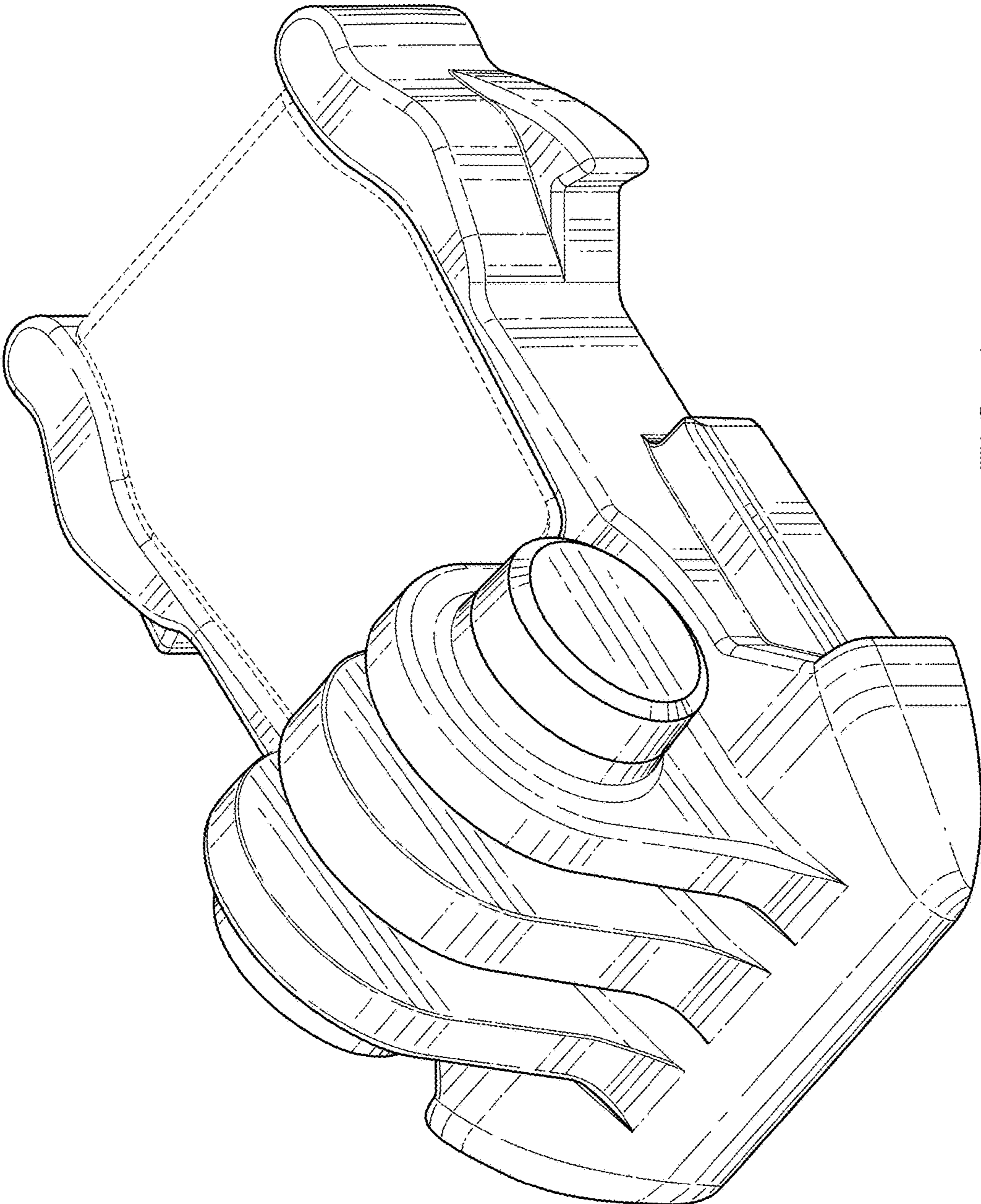


FIG. 1

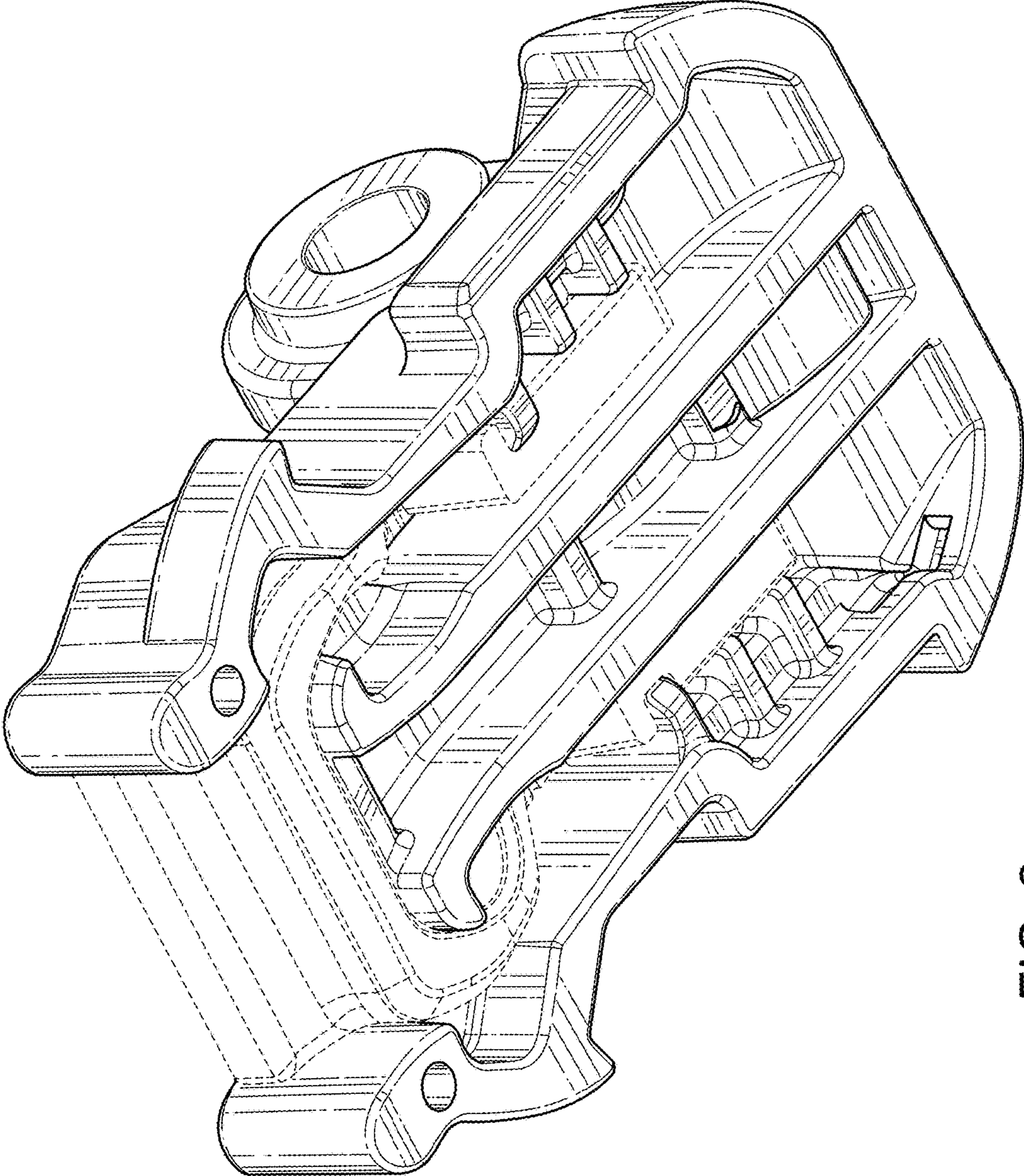


FIG. 2

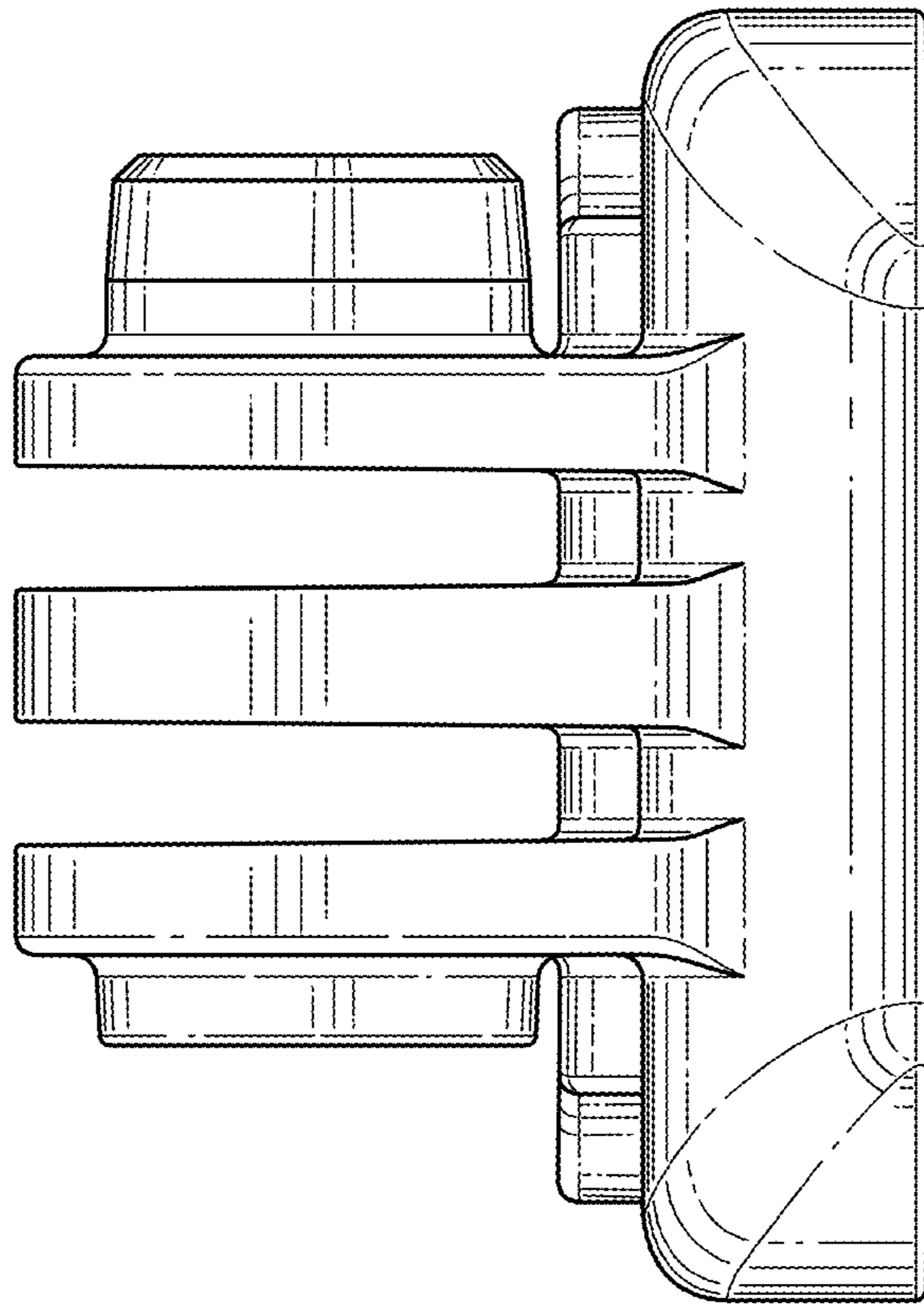


FIG. 3

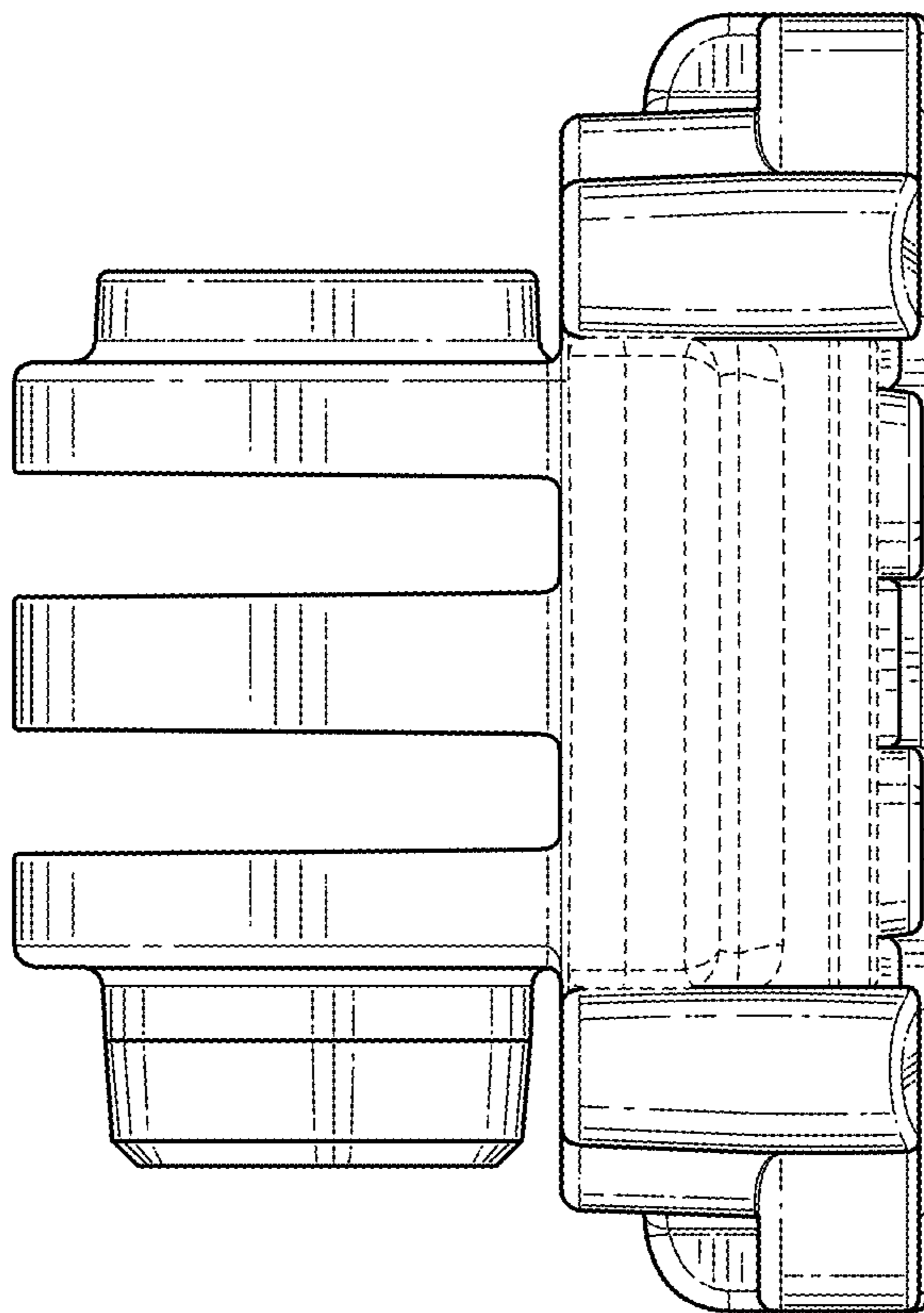


FIG. 4

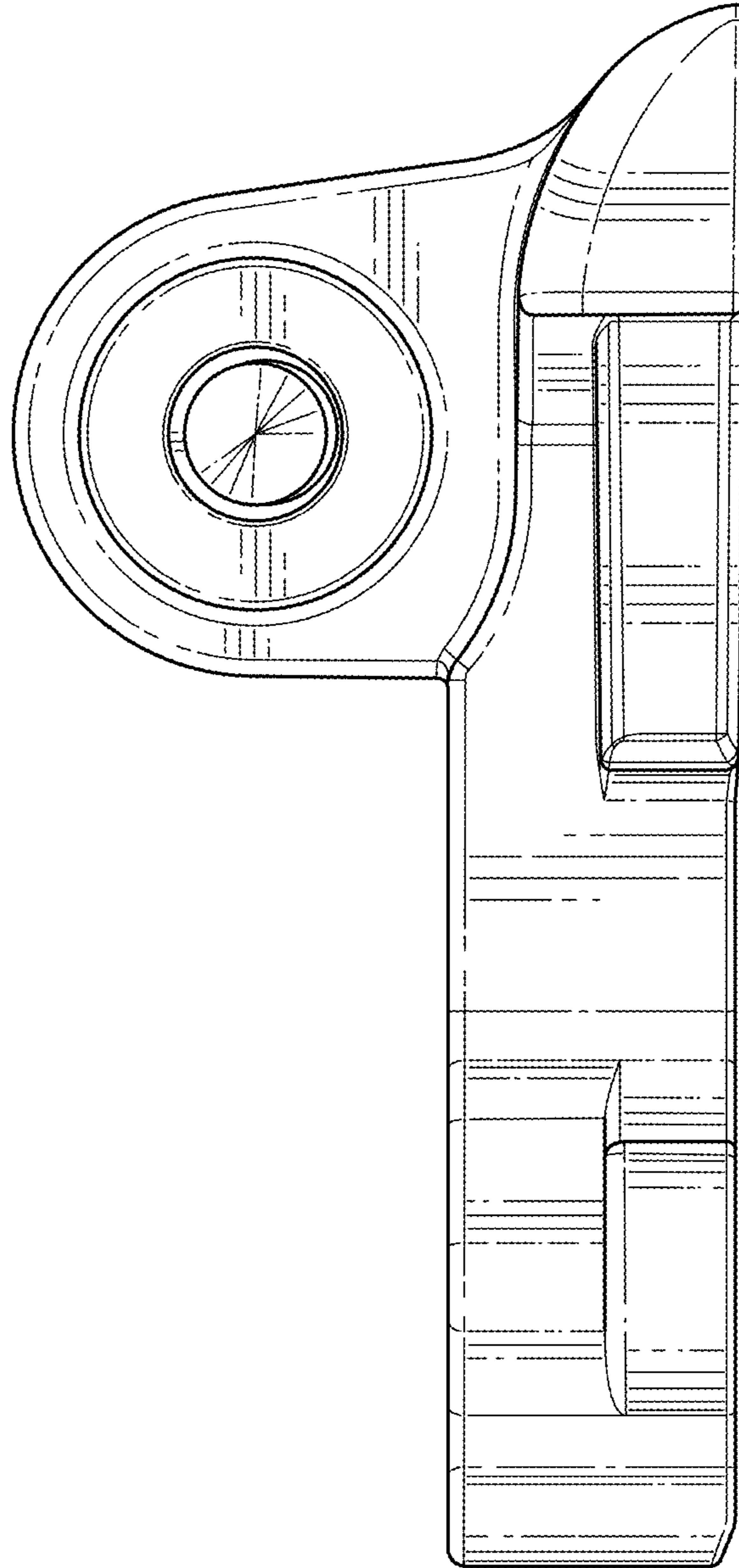


FIG. 5

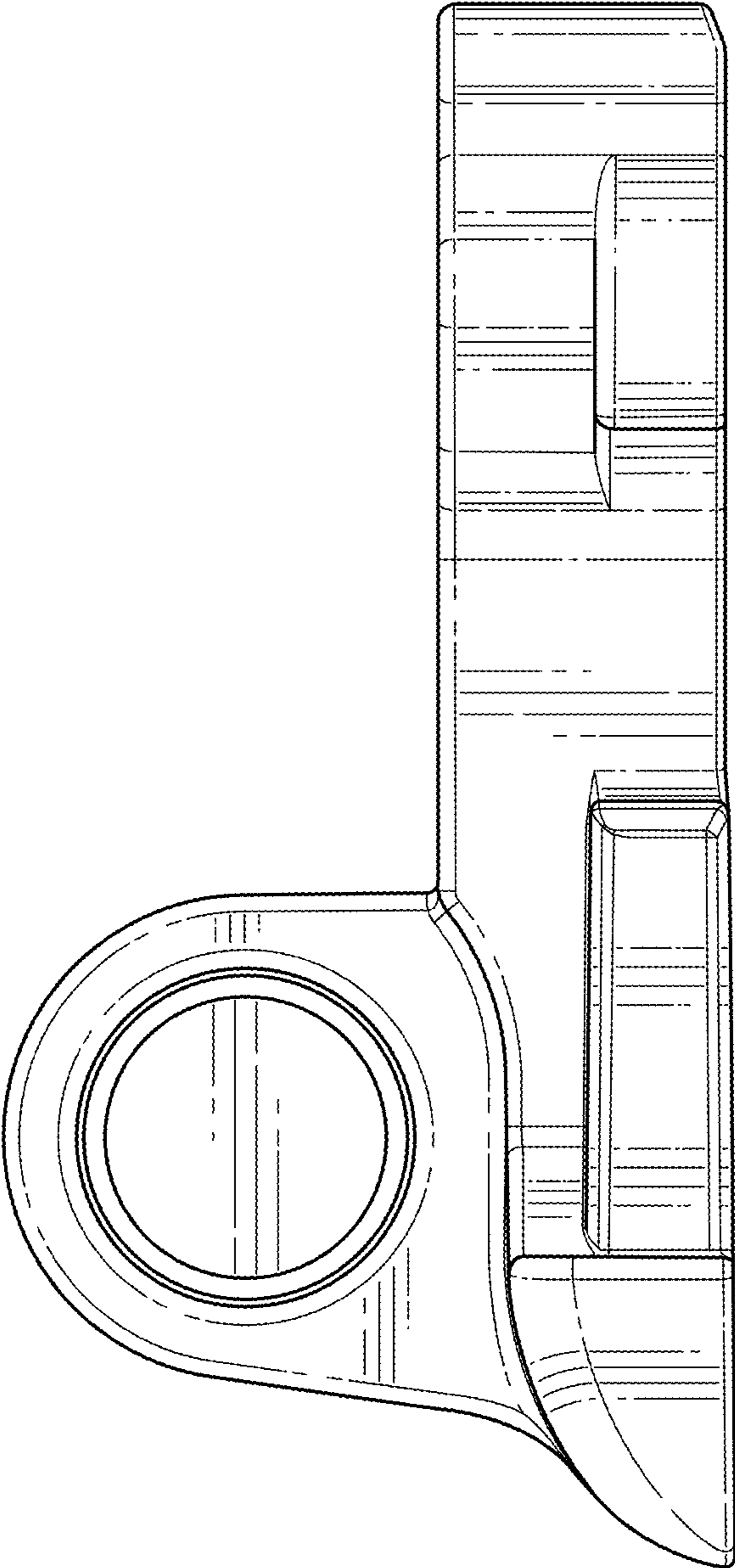


FIG. 6



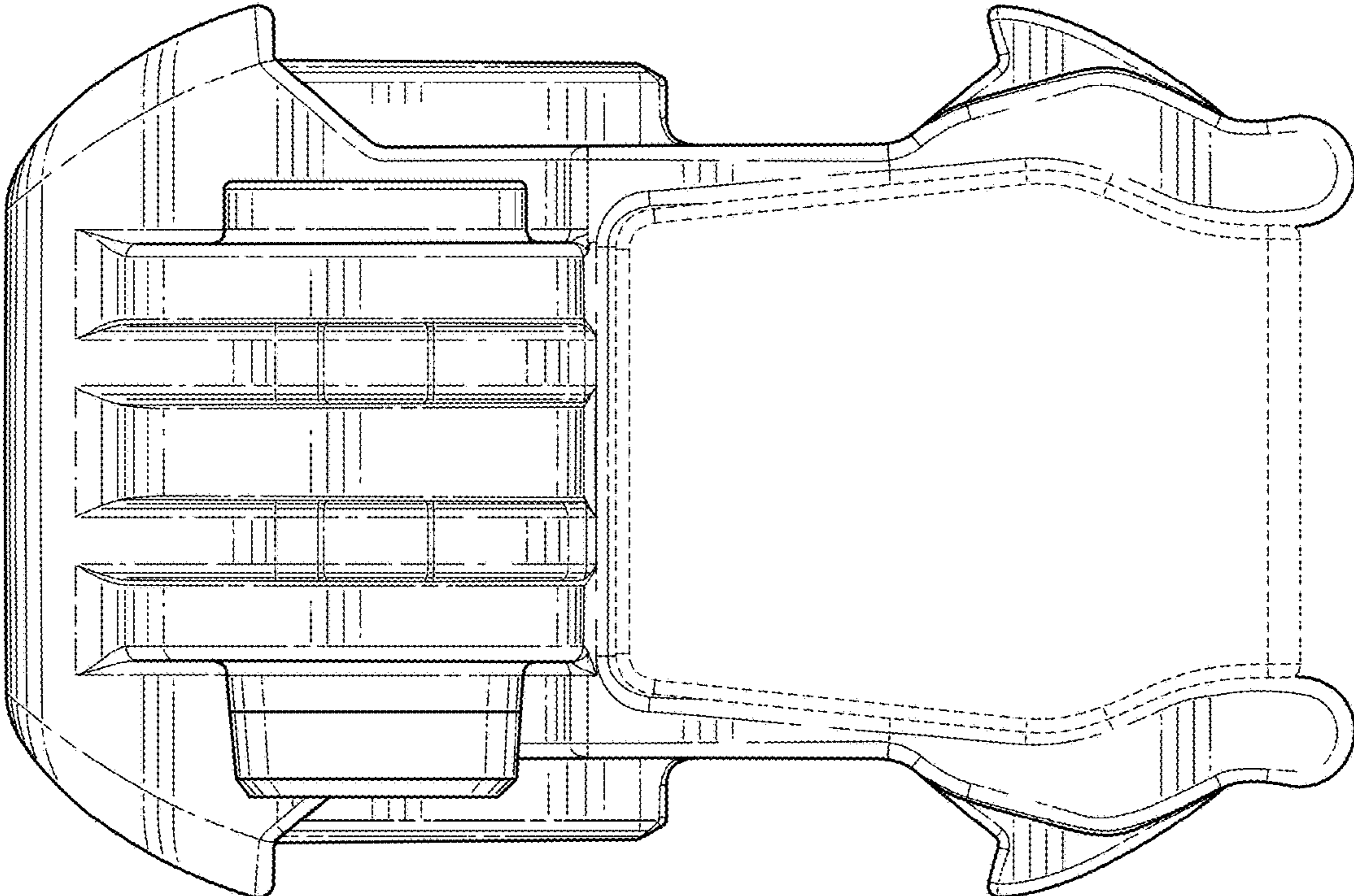


FIG. 7

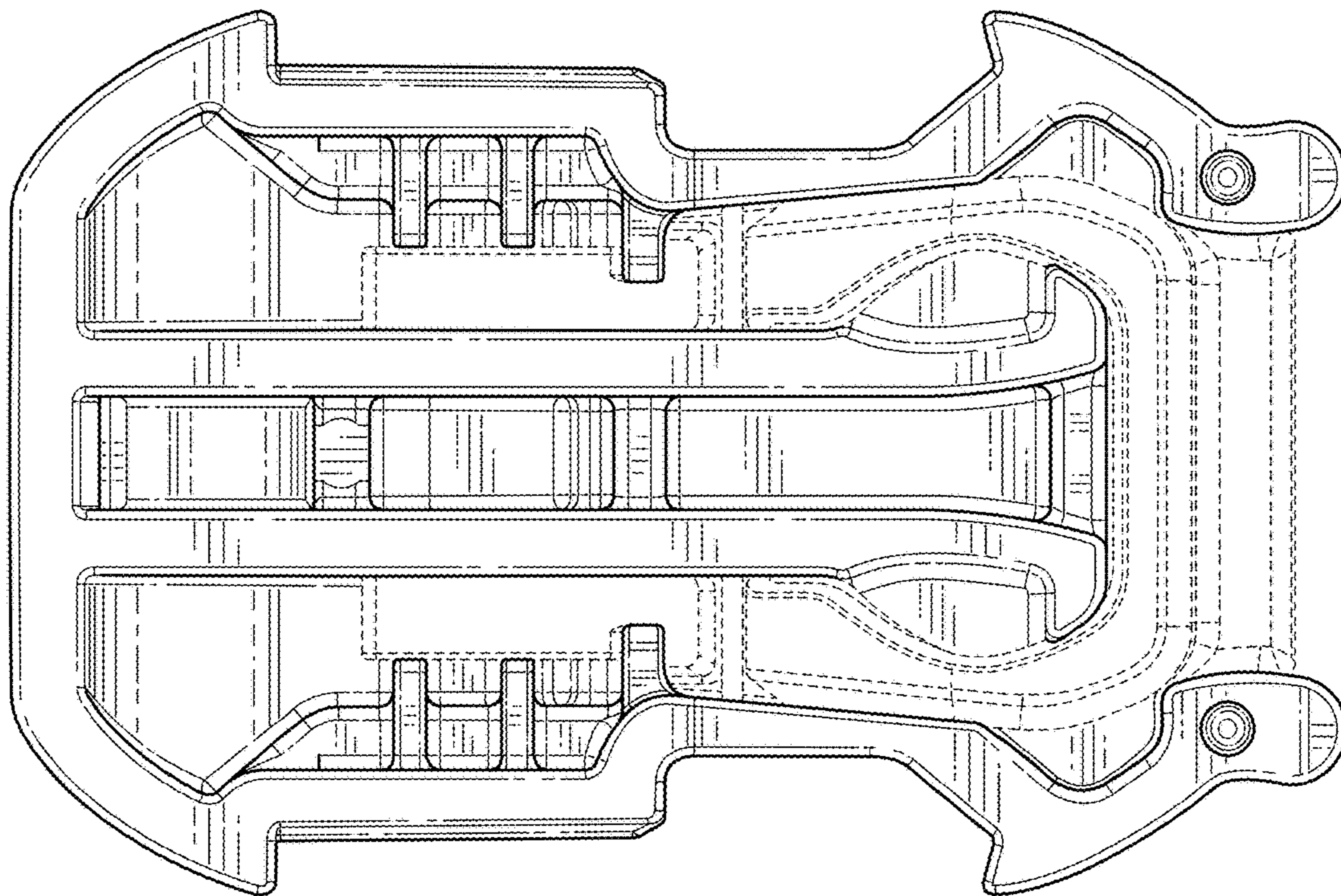


FIG. 8