



US00D800821S

(12) **United States Design Patent**
Bergman

(10) **Patent No.:** **US D800,821 S**

(45) **Date of Patent:** **** Oct. 24, 2017**

(54) **ELECTRONIC DEVICE WRIST MOUNT**

(71) Applicant: **GoPro, Inc.**, San Mateo, CA (US)

(72) Inventor: **Senka Agic Bergman**, San Mateo, CA (US)

(73) Assignee: **GoPro, Inc.**, San Mateo, CA (US)

(**) Term: **15 Years**

(21) Appl. No.: **29/552,199**

(22) Filed: **Jan. 21, 2016**

(51) **LOC (10) Cl.** **16-05**

(52) **U.S. Cl.**
USPC **D16/242**

(58) **Field of Classification Search**
USPC D16/206, 219, 235, 237-250; D14/224, D14/229, 238, 251, 447, 451, 457; D8/354, 355, 363, 367-371, 373, D8/382-383, 394-396
CPC G03B 17/56; G03B 17/561-17/568; G02B 7/00-7/002; H04N 5/2253-5/2254; F16M 11/04-11/12; A45F 5/00; A45F 5/10; A45F 2200/0508-2200/0533
See application file for complete search history.

(56) **References Cited**

U.S. PATENT DOCUMENTS

5,375,749	A *	12/1994	Oliva	A45F 5/02 224/242
D511,960	S *	11/2005	Ogino	D8/354
D608,688	S *	1/2010	Dalzell	D11/200
D688,118	S *	8/2013	Hobson	D8/356
D688,548	S *	8/2013	Hobson	D8/356
D712,394	S *	9/2014	Booth	D14/253
D714,374	S *	9/2014	Sammons	D16/237
D714,683	S *	10/2014	McEntyre	D11/218
D734,654	S *	7/2015	Geiger	D8/354
D750,693	S *	3/2016	Sammons	D16/237
D768,755	S *	10/2016	Thomas	D16/242

D772,969	S *	11/2016	Druker	D16/242
D773,551	S *	12/2016	Clearman	D16/242
2007/0193006	A1 *	8/2007	Kitano	A44B 17/0011 24/323

(Continued)

OTHER PUBLICATIONS

GOcase Wrist-Strap Rotating wrist strap for GoPro Hero Cameras. [online] Retrieved May 30, 2017 from URL <https://www.bhphotovideo.com/c/product/1073598REG/gocase_go_strap_ergonomic_wrist_strap_for.html>.*

(Continued)

Primary Examiner — Vy Koenig

(74) *Attorney, Agent, or Firm* — Fenwick & West LLP

(57) **CLAIM**

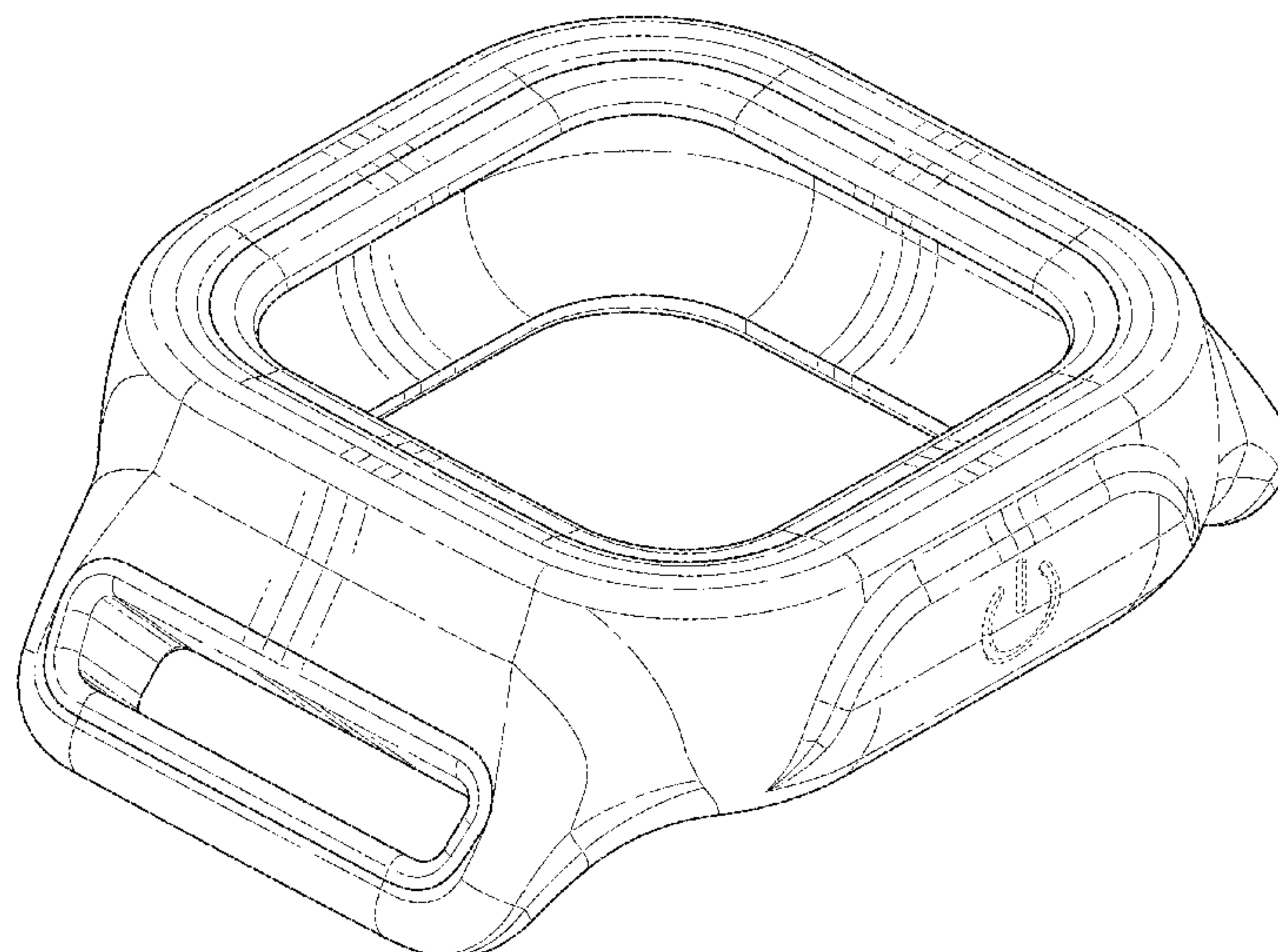
The ornamental design for an electronic device wrist mount, as shown and described.

DESCRIPTION

FIG. 1 is a front, top and left side perspective view of an electronic device wrist mount showing our new design; FIG. 2 is a rear, bottom and right side perspective view thereof; FIG. 3 is a front, top and right side perspective view thereof; FIG. 4 is a rear, bottom and left side perspective view thereof; FIG. 5 is a left side elevational view thereof; FIG. 6 is a right side elevational view thereof; FIG. 7 is a rear elevational view thereof; FIG. 8 is a front elevational view thereof; FIG. 9 is a top plan view thereof; FIG. 10 is a bottom plan view thereof; and, FIG. 11 is a front cross-sectional view thereof taken along the lines 11-11 from FIG. 9.

The broken lines in the drawings are included for the purpose of illustrating environmental structure and form no part of the claimed design.

1 Claim, 11 Drawing Sheets



(56)

References Cited

U.S. PATENT DOCUMENTS

2010/0327030 A1* 12/2010 Yang A45F 5/00
224/199
2012/0281977 A1* 11/2012 Stevenson G03B 17/566
396/544
2015/0150360 A1* 6/2015 Soriano A45F 5/00
224/222
2016/0357324 A1* 12/2016 Smith G06F 3/0416
2017/0035190 A1* 2/2017 Gilmore A45F 5/00

OTHER PUBLICATIONS

Shill Swivel Wrist Mount for GoPro. [online] Retrieved May 16, 2017 from URL: <https://www.bhphotovideo.com/c/product/1061184REG/shill_slswm_1_wrist_strap_with_gopro.html>.*
GoPro Hand + Wrist Strap. [online] Retrieved May 30, 2017 from URL: <https://www.bhphotovideo.com/c/product/1326360REG/gopro_ahwbm_002_hand_wrist_strap.html>.*
360 Degree GoPro Wrist Mount Banded Strap and Screw. [online] Retrieved May 16, 2017 from URL: <<https://shop.isellgoods.com/products/360degreegoprowristmountbandedstrapandscrewgoprohero4332>>.*

* cited by examiner

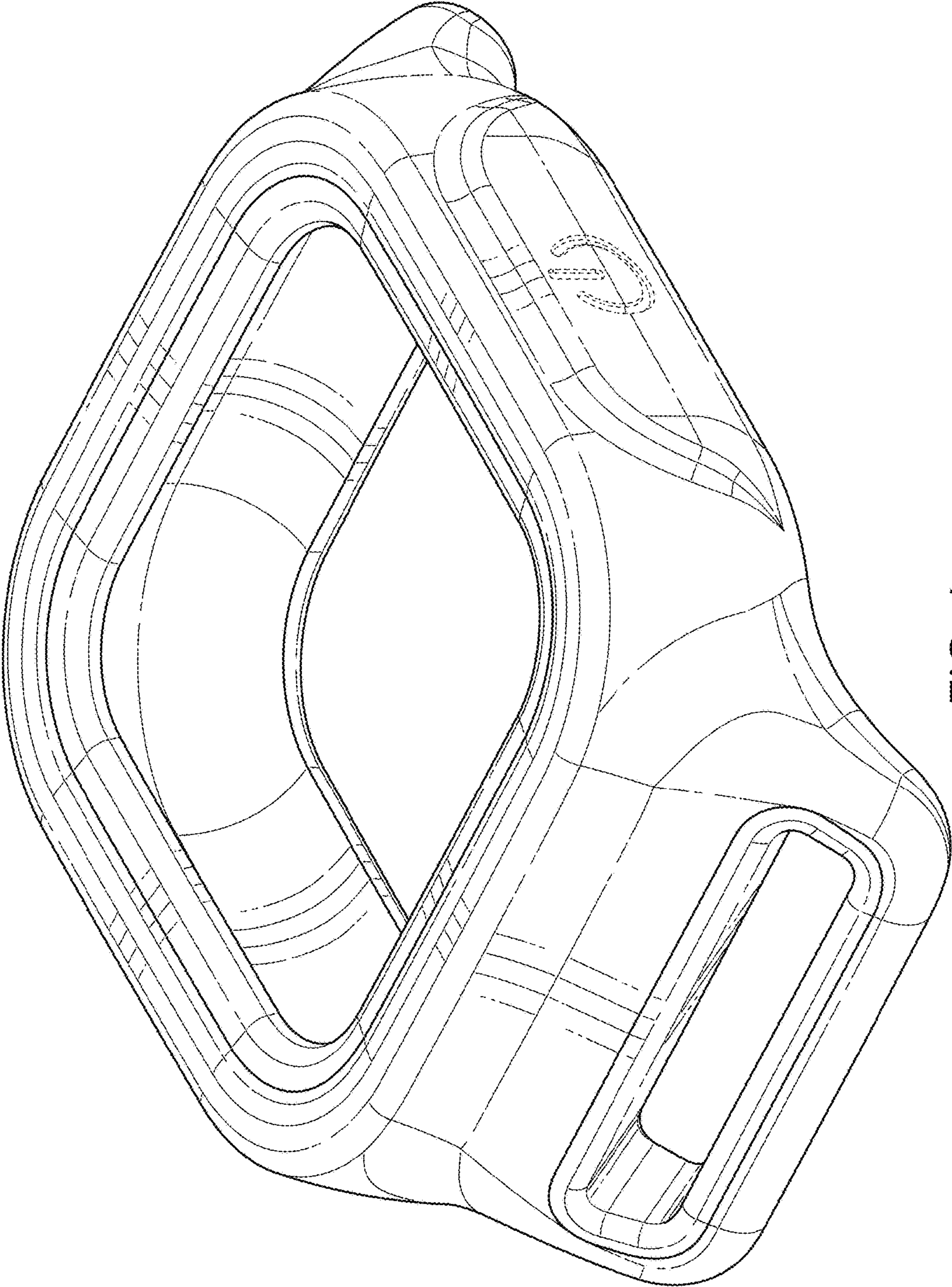


FIG. 1

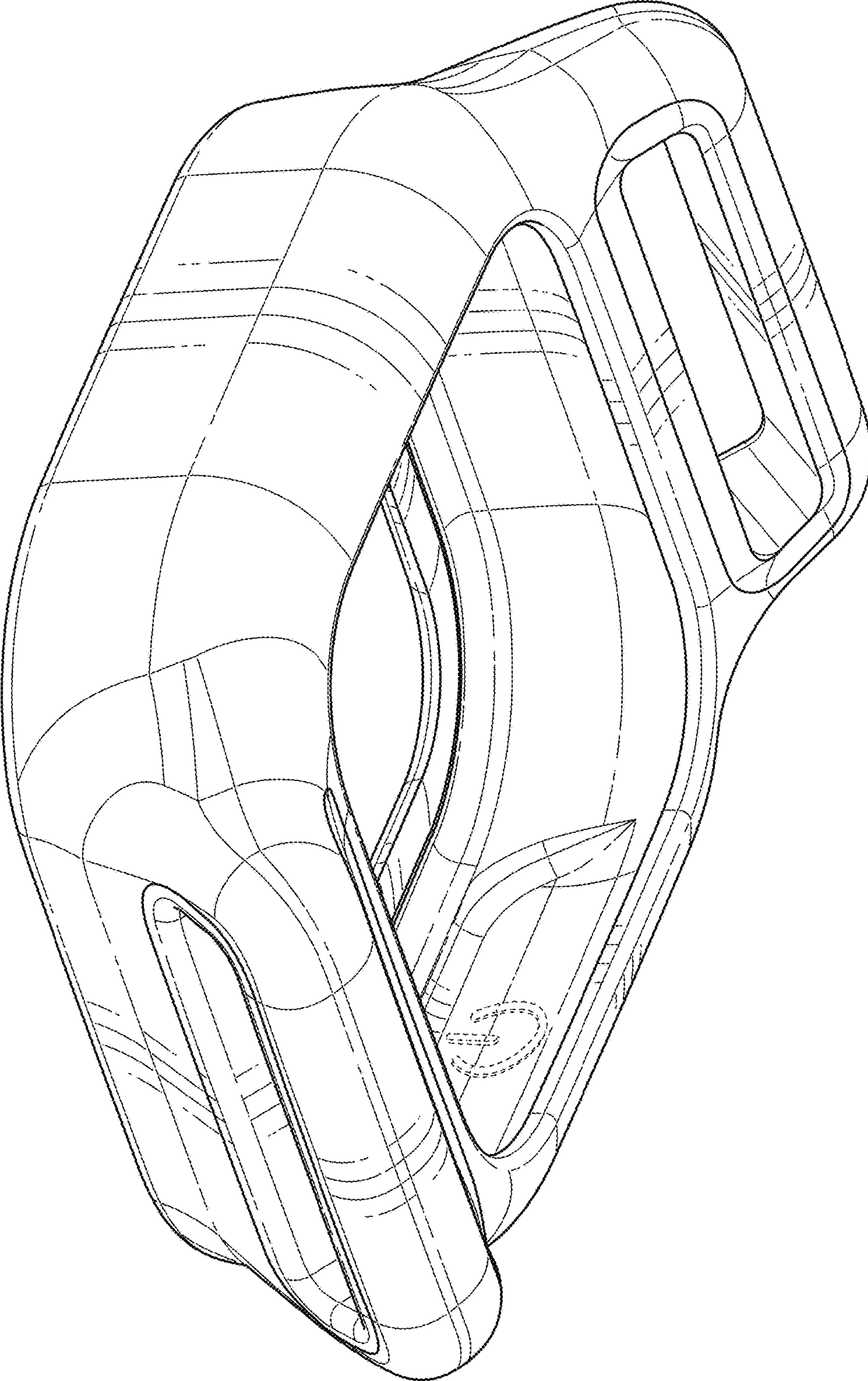


FIG. 2

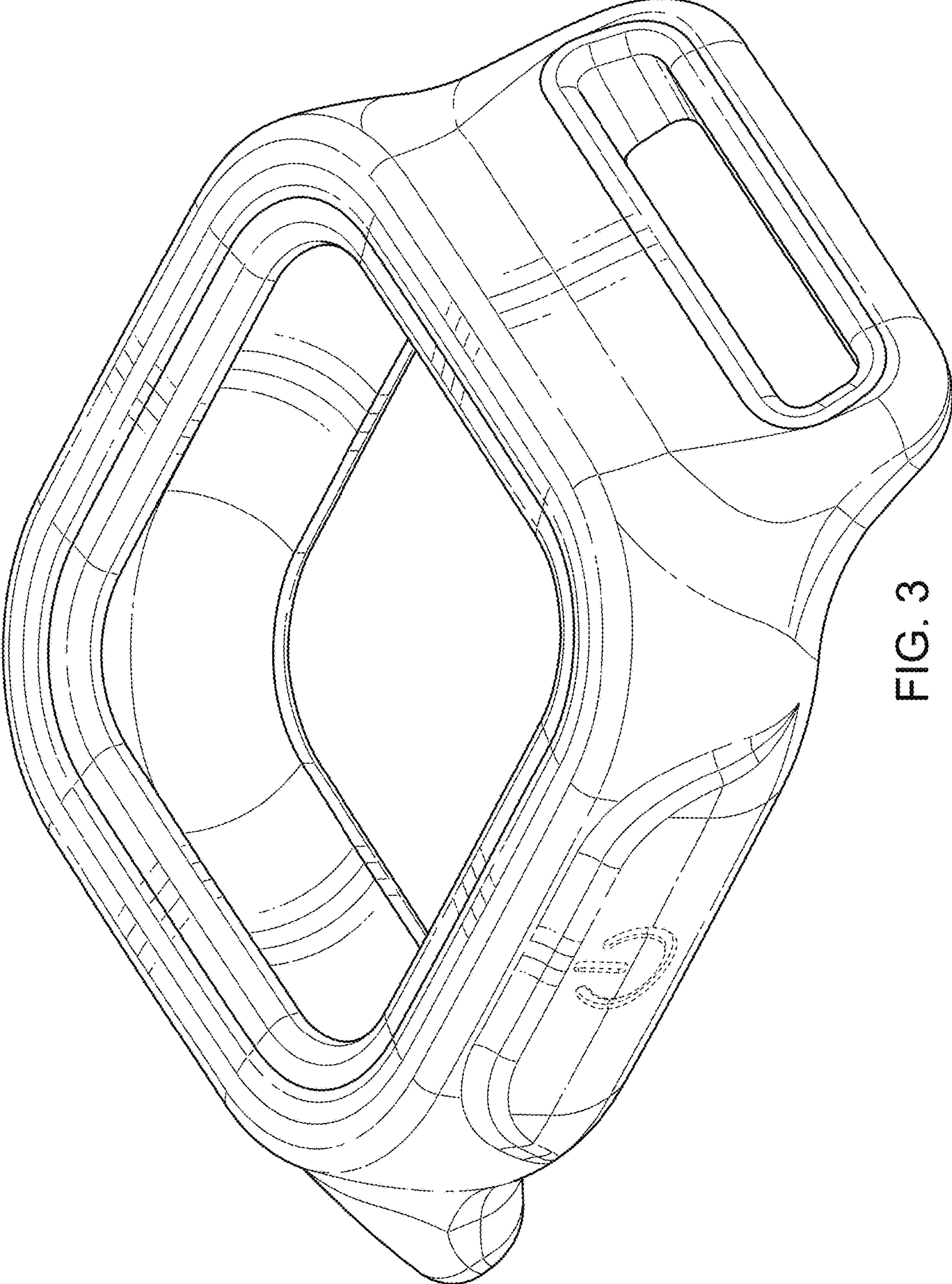


FIG. 3

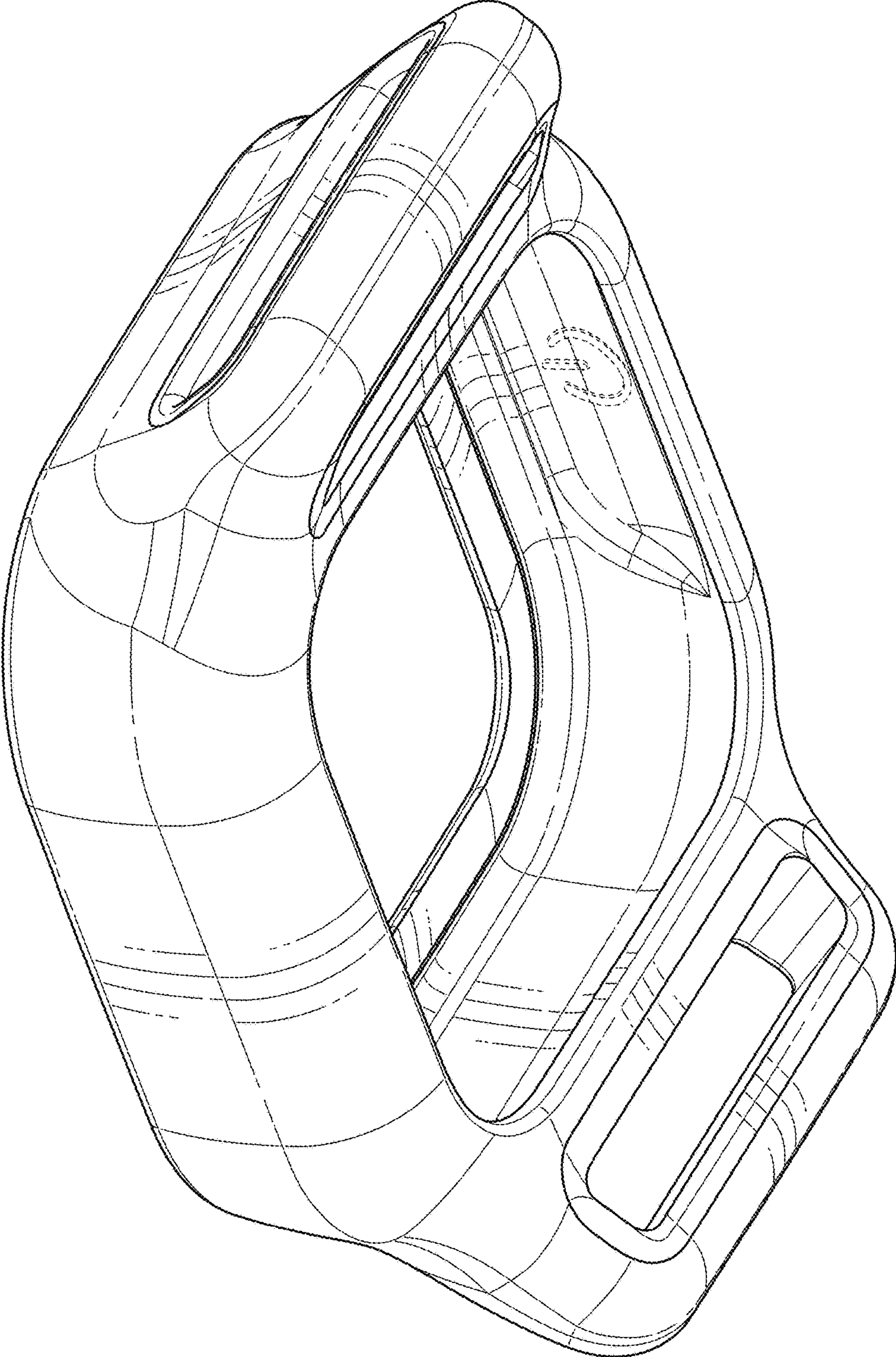


FIG. 4

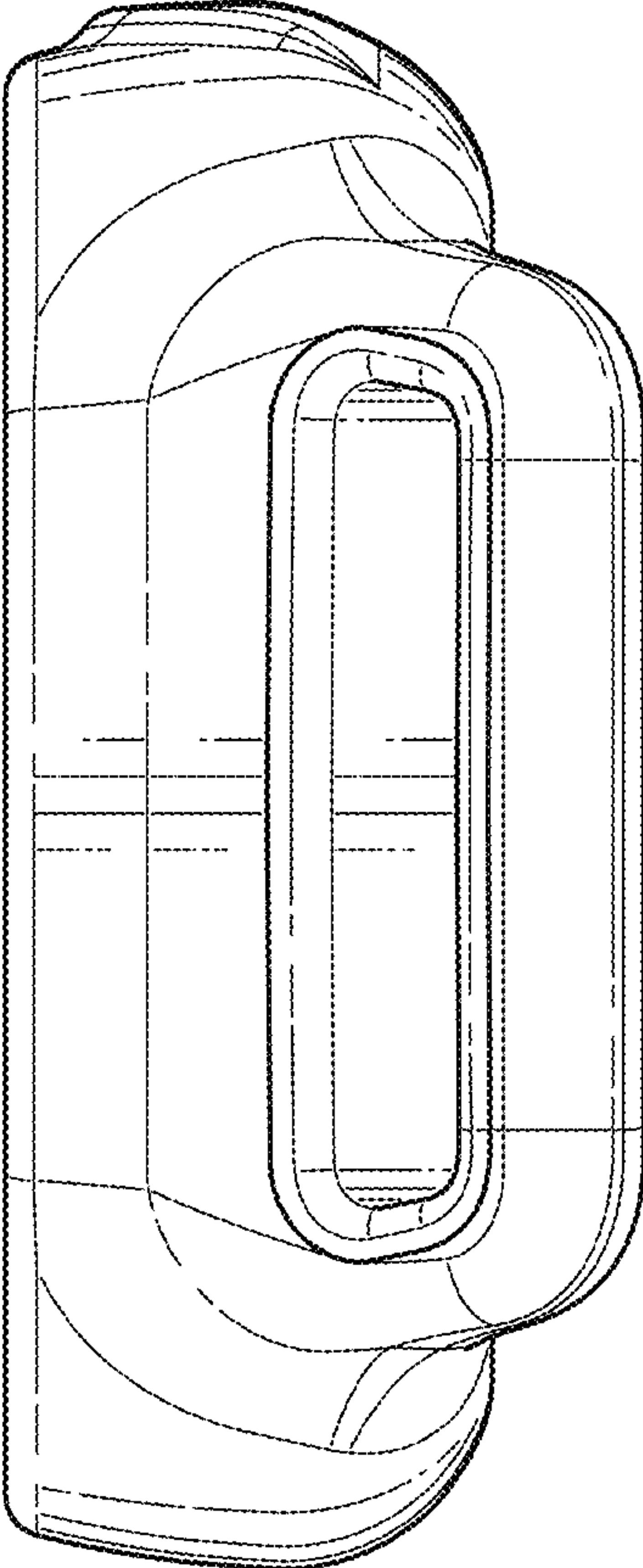


FIG. 5

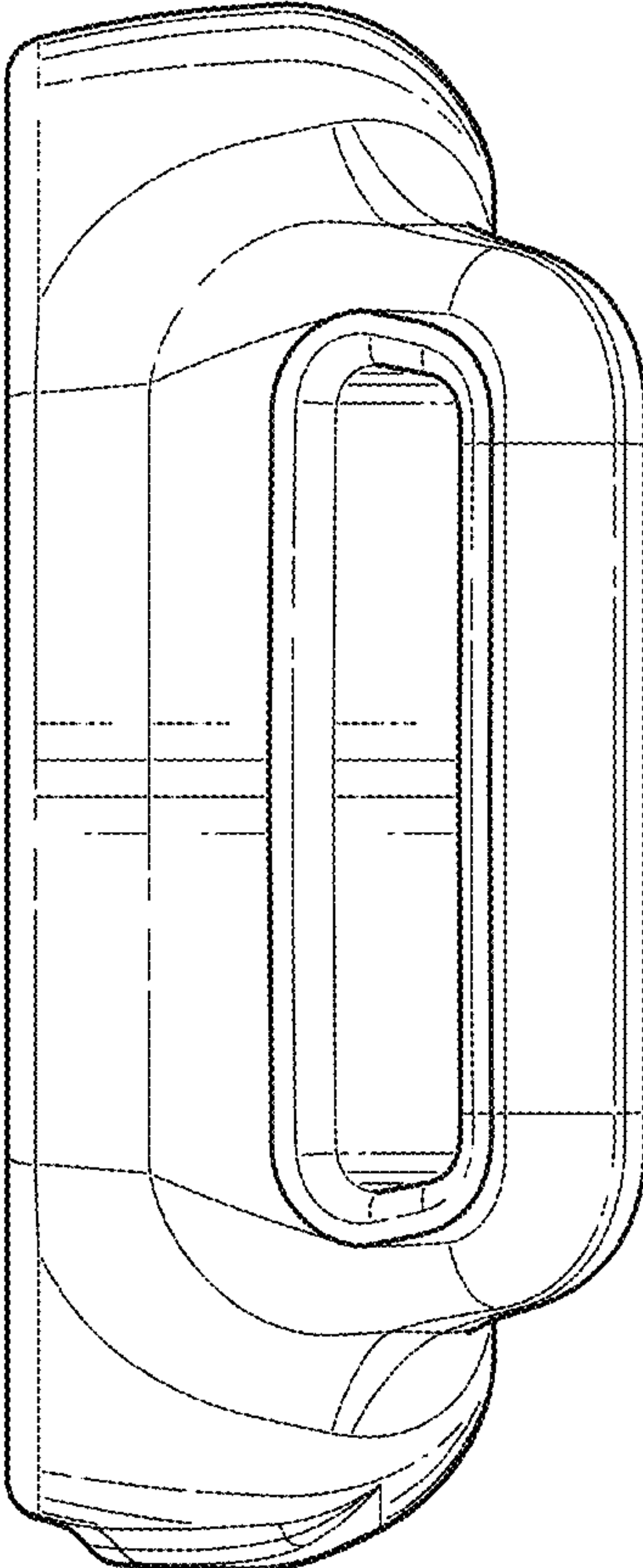


FIG. 6

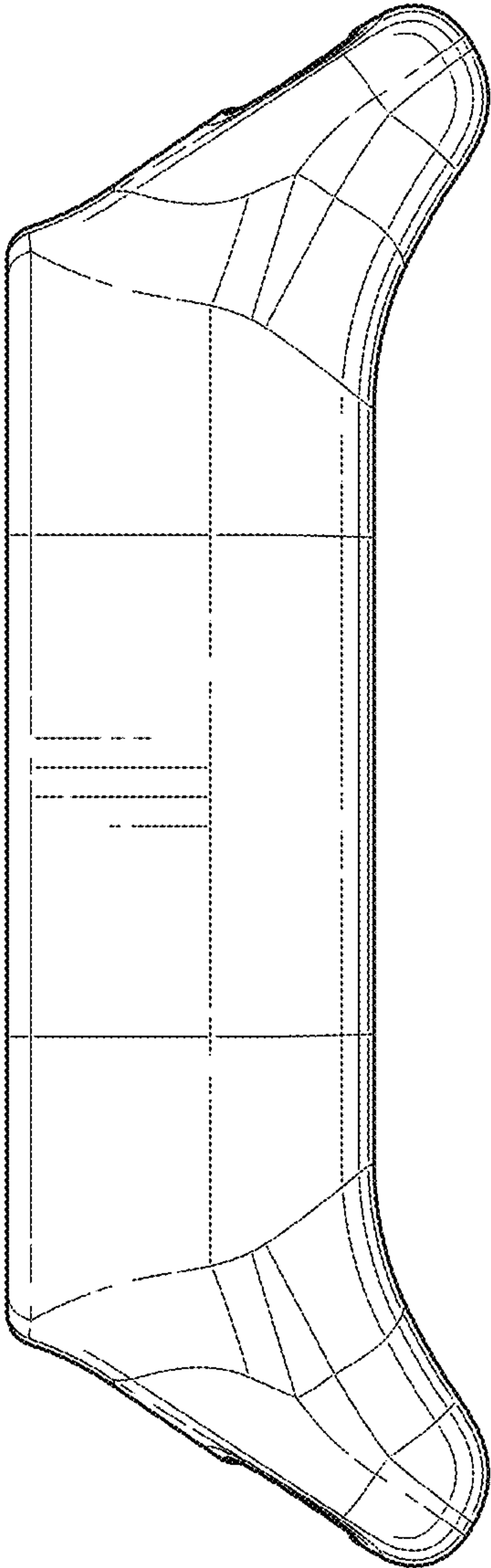


FIG. 7

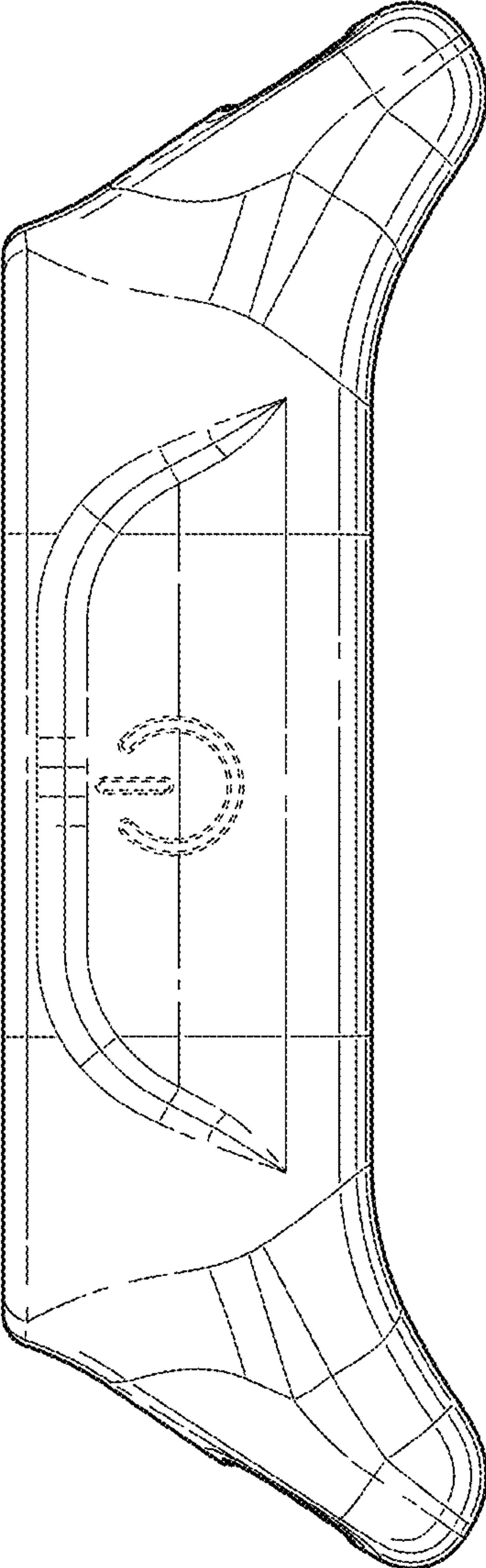


FIG. 8

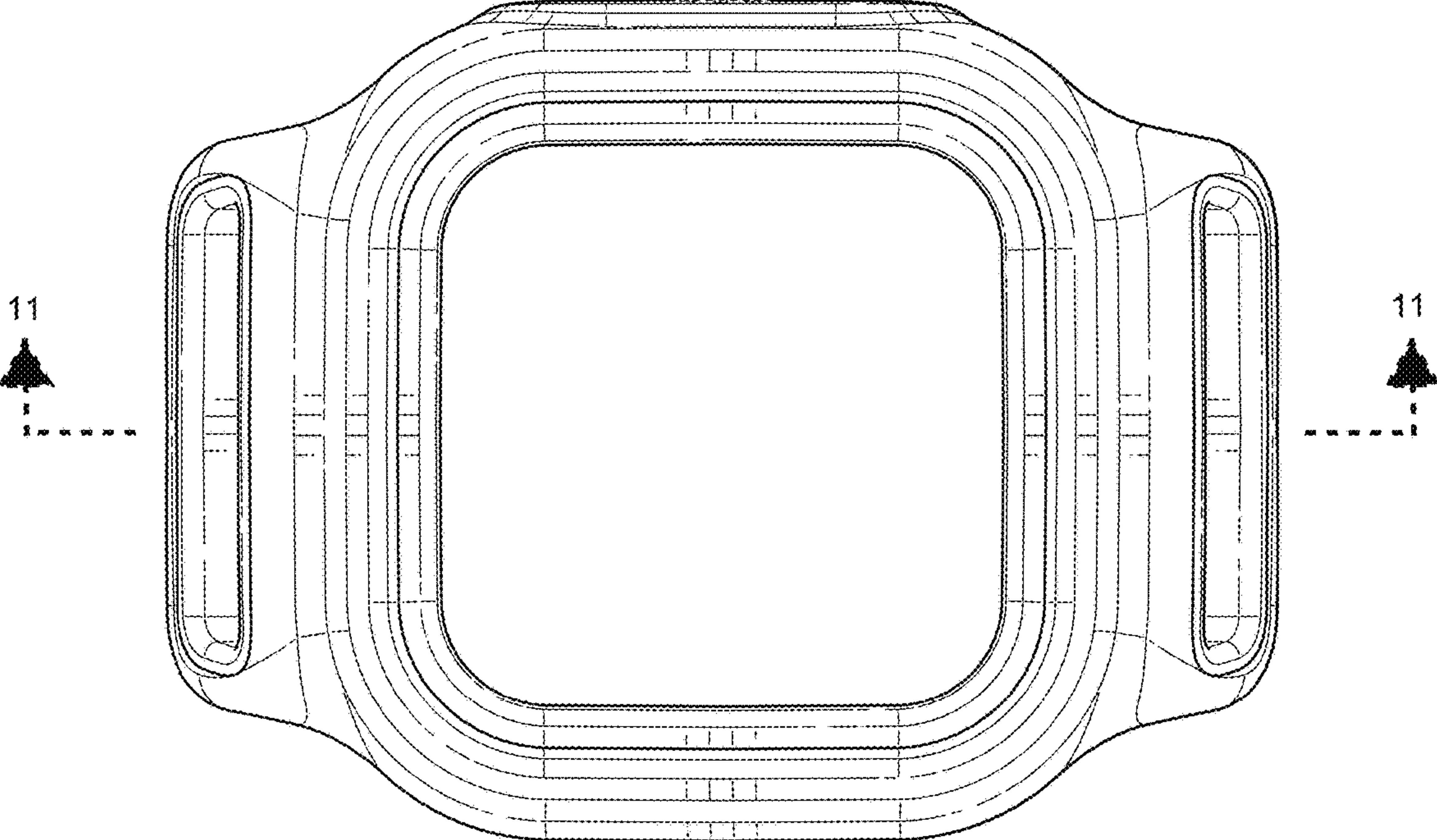


FIG. 9

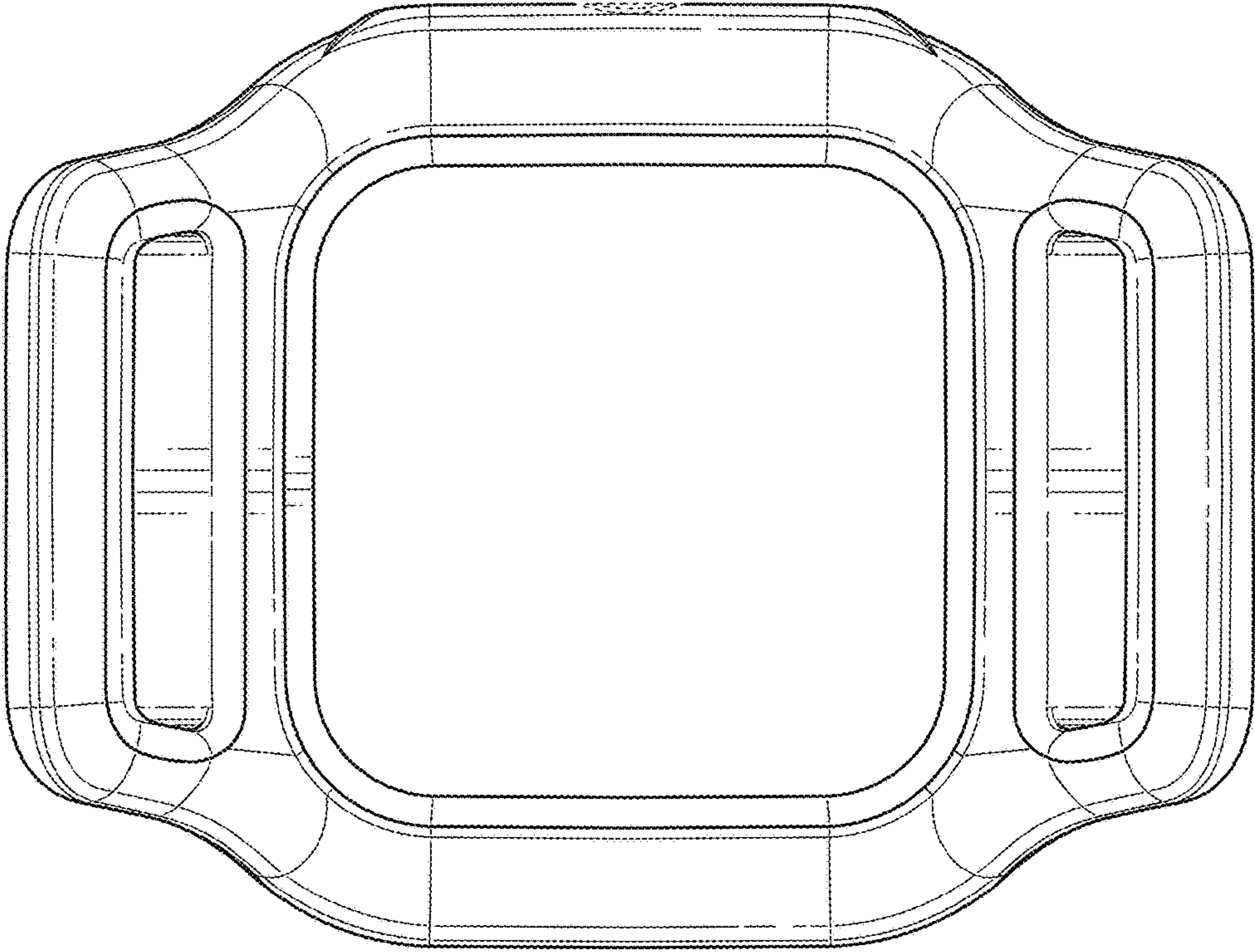


FIG. 10

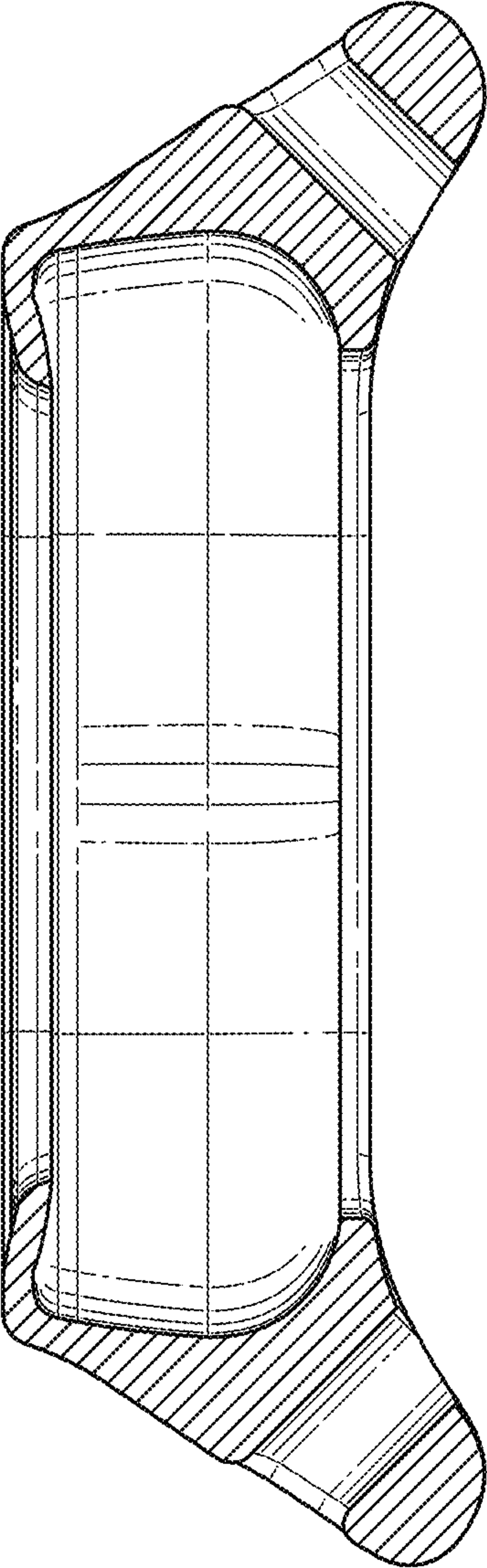


FIG. 11