



US00D800820S

(12) **United States Design Patent**
Bergman et al.

(10) **Patent No.:** **US D800,820 S**

(45) **Date of Patent:** **** Oct. 24, 2017**

(54) **CAMERA CONTROLLER DEVICE**

(71) Applicant: **GoPro, Inc.**, San Mateo, CA (US)

(72) Inventors: **Senka Agic Bergman**, San Mateo, CA (US); **Yusuke Miyashita**, San Mateo, CA (US); **John George Muhlenkamp, IV**, Brisbane, CA (US)

(73) Assignee: **GoPro, Inc.**, San Mateo, CA (US)

(**) Term: **15 Years**

(21) Appl. No.: **29/552,197**

(22) Filed: **Jan. 21, 2016**

(51) **LOC (10) Cl.** **16-05**

(52) **U.S. Cl.**
USPC **D16/237**

(58) **Field of Classification Search**
USPC D16/200, 204, 208, 213–219, 235,
D16/237–250; D14/217, 229, 250–253,
D14/218; D8/363, 373, 394;
D13/103–108
CPC G03B 17/02–17/04; G03B 17/14; G03B
17/56; G03B 17/561–17/568; G03B
21/20; G02B 7/00–7/002; F16M 11/02;
F16M 11/04; F16M 11/20; F16M 11/40
See application file for complete search history.

(56) **References Cited**

U.S. PATENT DOCUMENTS

D558,790 S *	1/2008	Yu	D14/496
D628,153 S *	11/2010	Fujii	D13/108
D638,048 S *	5/2011	Kim	D16/225
D638,819 S *	5/2011	Shum	D14/203.1
D643,398 S *	8/2011	Zakarias	D14/148
D680,063 S *	4/2013	Sasada	D13/103
D692,939 S *	11/2013	Huang	D16/218
D705,748 S *	5/2014	He	D14/155
D726,107 S *	4/2015	Mudge	D13/110
D731,469 S *	6/2015	Turksu	D14/218

D733,788 S *	7/2015	Baker	D16/237
D740,285 S *	10/2015	Templeton	D14/385
D740,286 S *	10/2015	Templeton	D14/385
D766,218 S *	9/2016	Yang	D14/218
D774,455 S *	12/2016	Kim	D13/108
D778,265 S *	2/2017	Parfitt	D14/218

(Continued)

OTHER PUBLICATIONS

GoPro Remo (Waterproof Voice Activated Remote). [online] Published date Sep. 19, 2016. Retrieved on Jun. 2, 2017 from <URL: <https://www.amazon.com/GoPro-Waterproof-Activated-Official-Accessory/dp/B01LWW1ZK9>>.*

Primary Examiner — Vy Koenig

Assistant Examiner — Omeed Agilee

(74) *Attorney, Agent, or Firm* — Fenwick & West LLP

(57) **CLAIM**

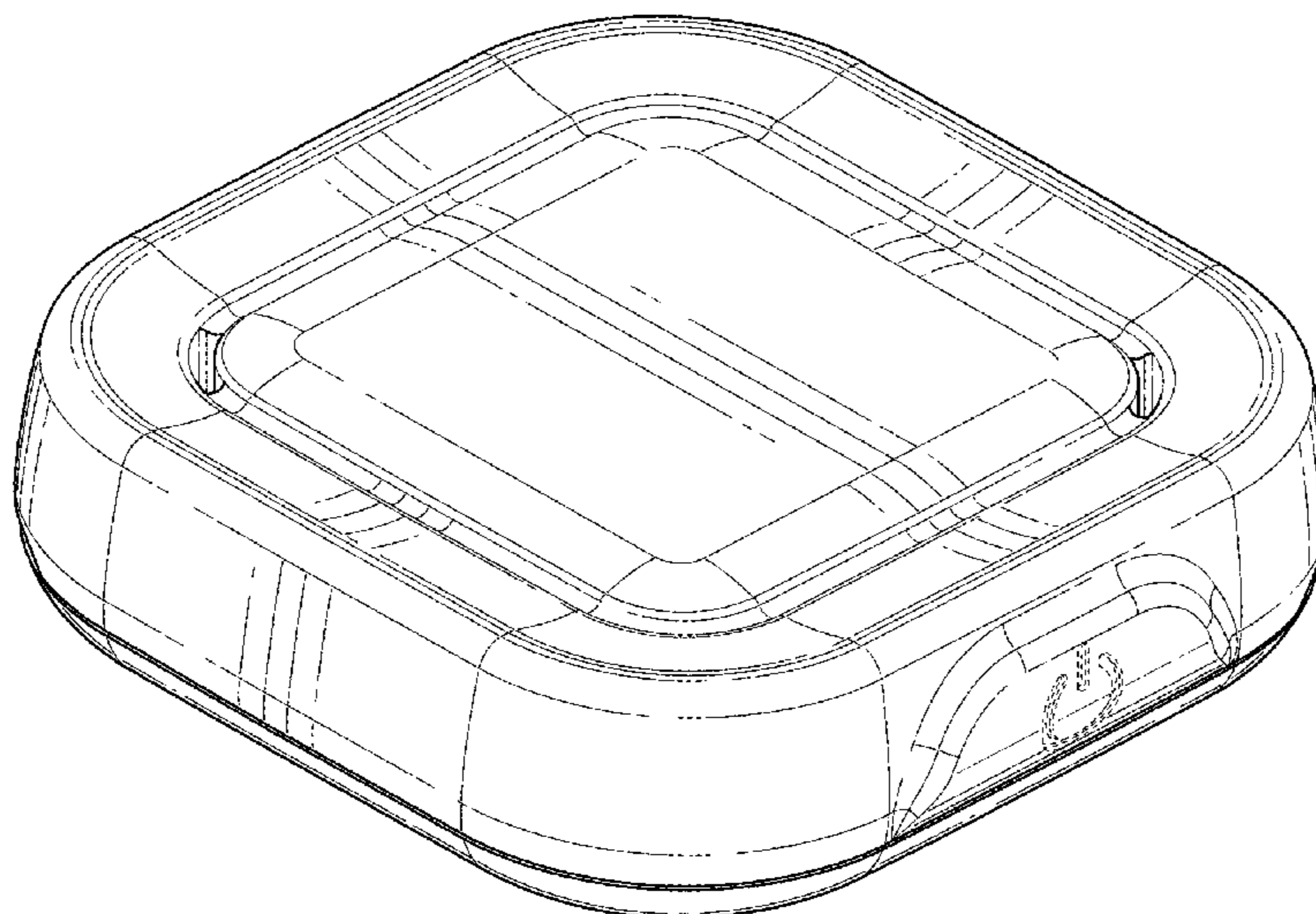
The ornamental design for a camera controller device, as shown and described.

DESCRIPTION

FIG. 1 is a front, top and left side perspective view of a camera controller device showing our new design; FIG. 2 is a rear, bottom and right side perspective view thereof; FIG. 3 is a front, top and right side perspective view thereof; FIG. 4 is a rear, bottom and left side perspective view thereof; FIG. 5 is a left side elevational view thereof; FIG. 6 is a right side elevational view thereof; FIG. 7 is a rear elevational view thereof; FIG. 8 is a front elevational view thereof; FIG. 9 is a top plan view thereof; and, FIG. 10 is a bottom plan view thereof.

The broken lines in the drawings depict portions of the camera controller device that form no part of the claimed design.

1 Claim, 10 Drawing Sheets



(56)

References Cited

U.S. PATENT DOCUMENTS

D782,976 S *	4/2017	Zhang	D13/108
D784,259 S *	4/2017	Huang	D13/108
D786,674 S *	5/2017	Miller	D9/446
2012/0228443 A1 *	9/2012	Du	F16M 11/10 248/176.3

* cited by examiner

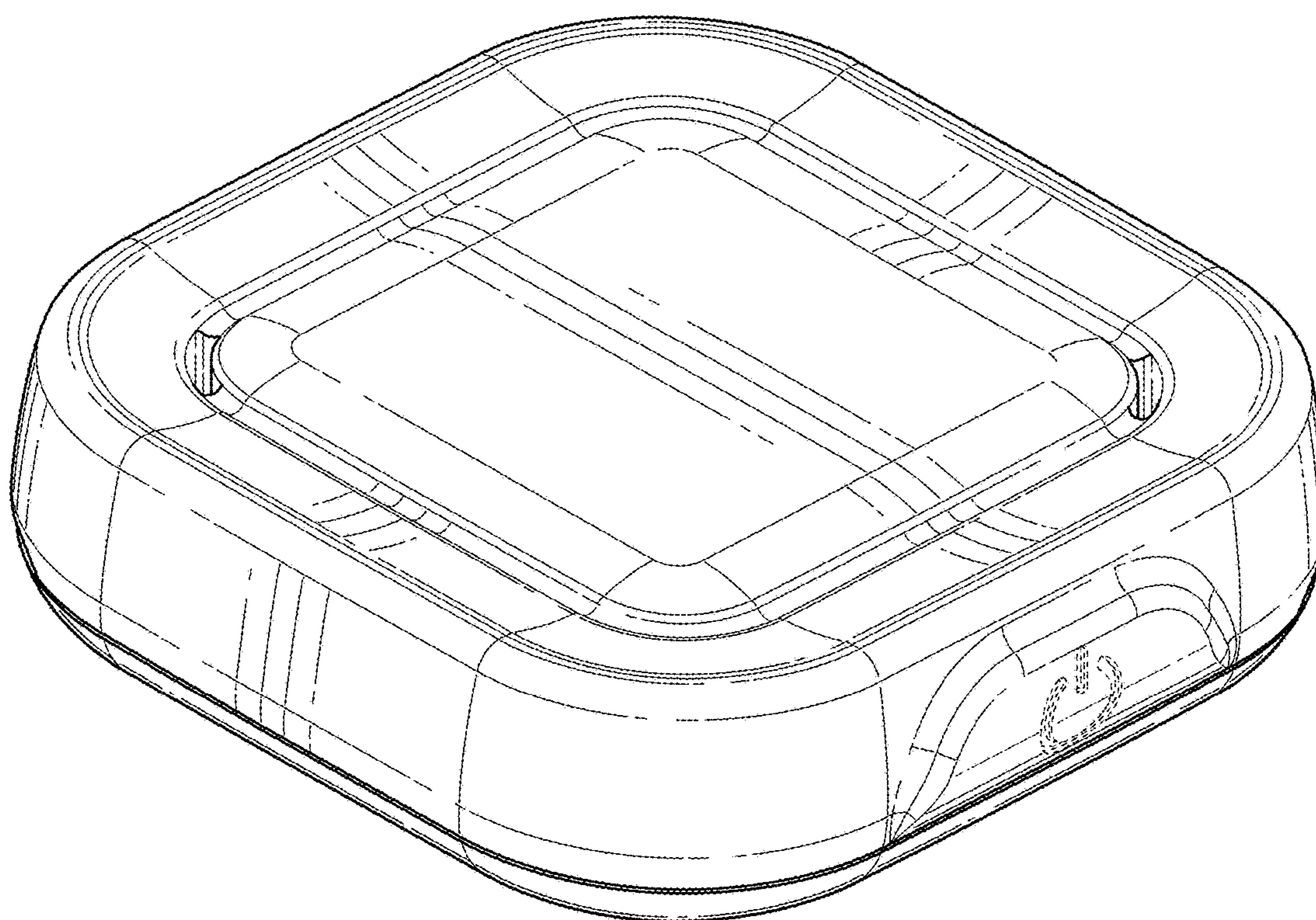


FIG. 1

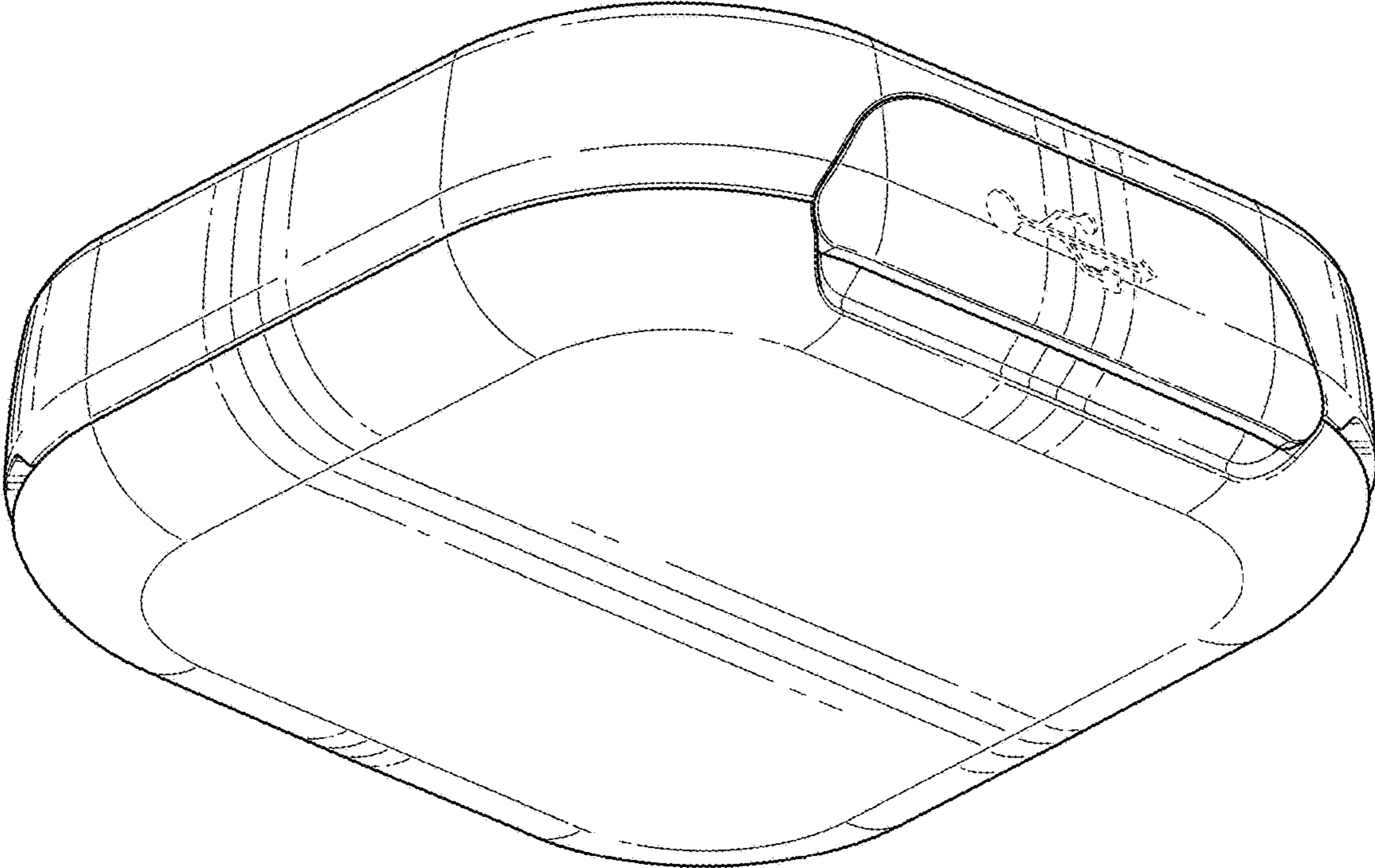


FIG. 2

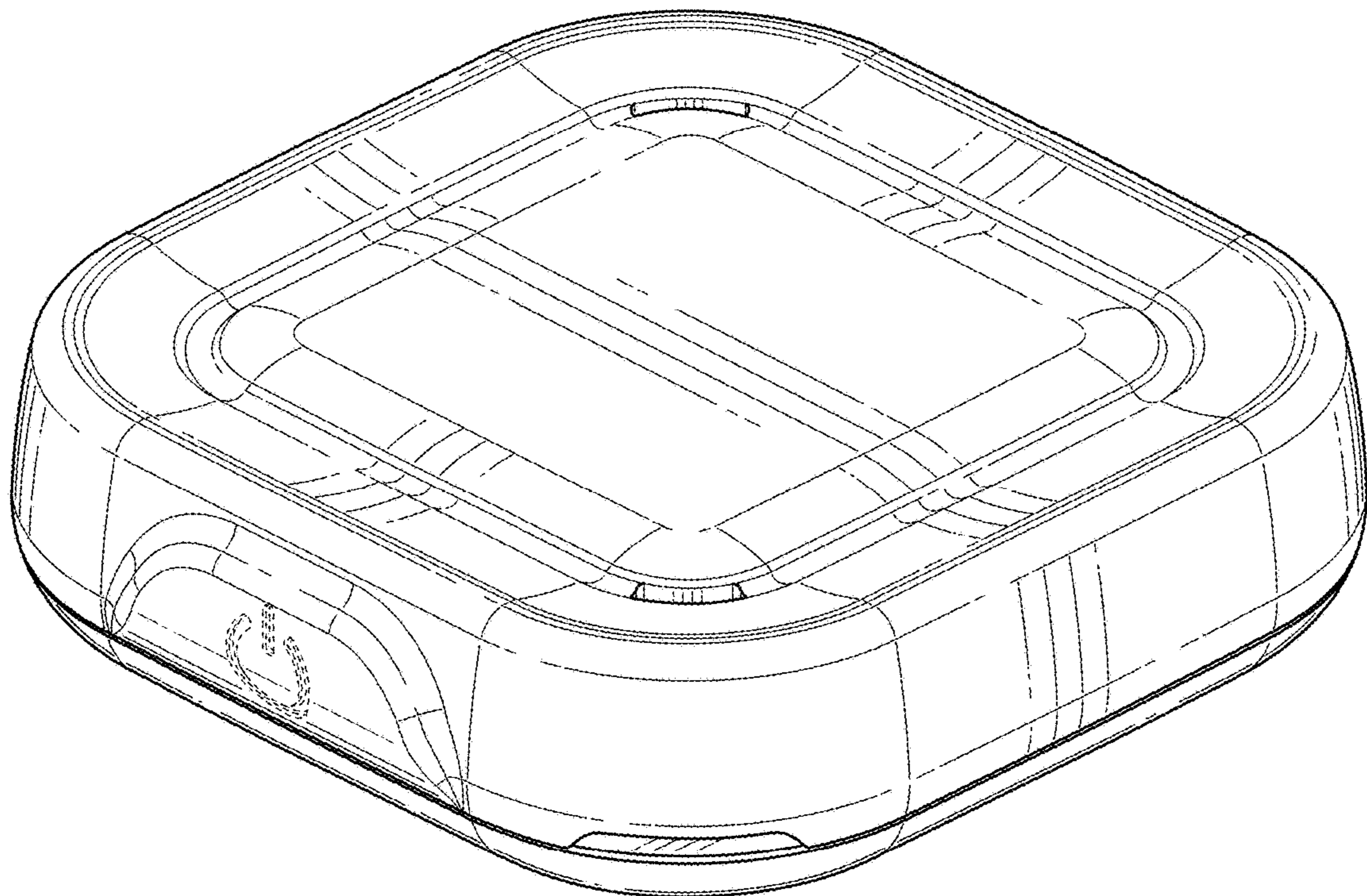


FIG. 3

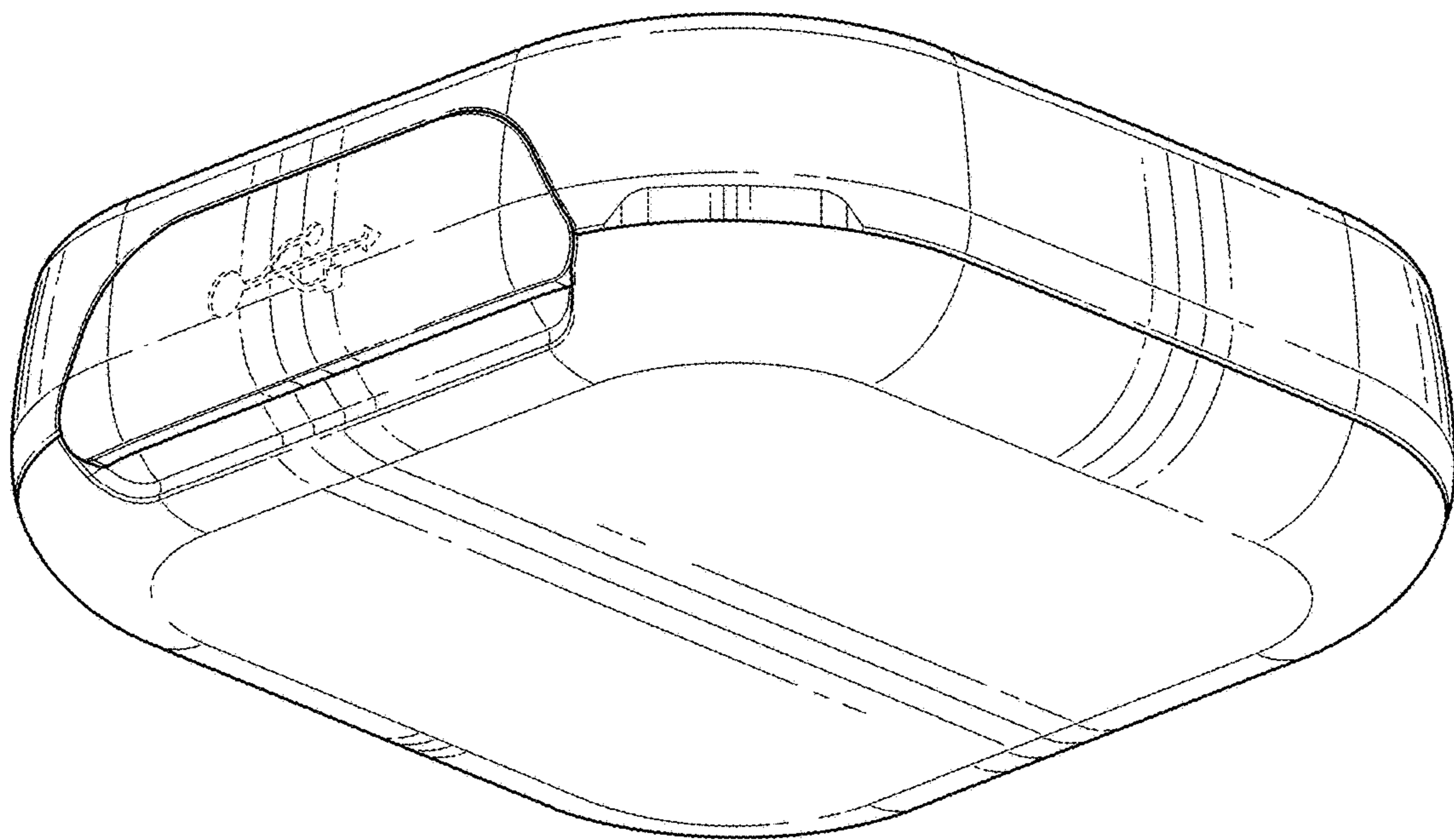


FIG. 4

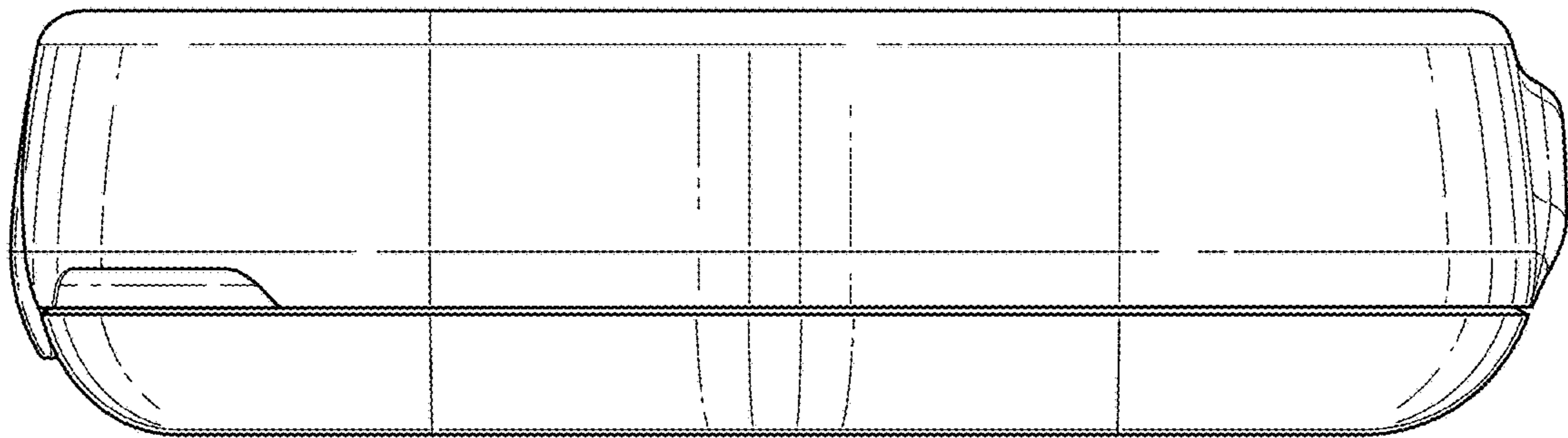


FIG. 5

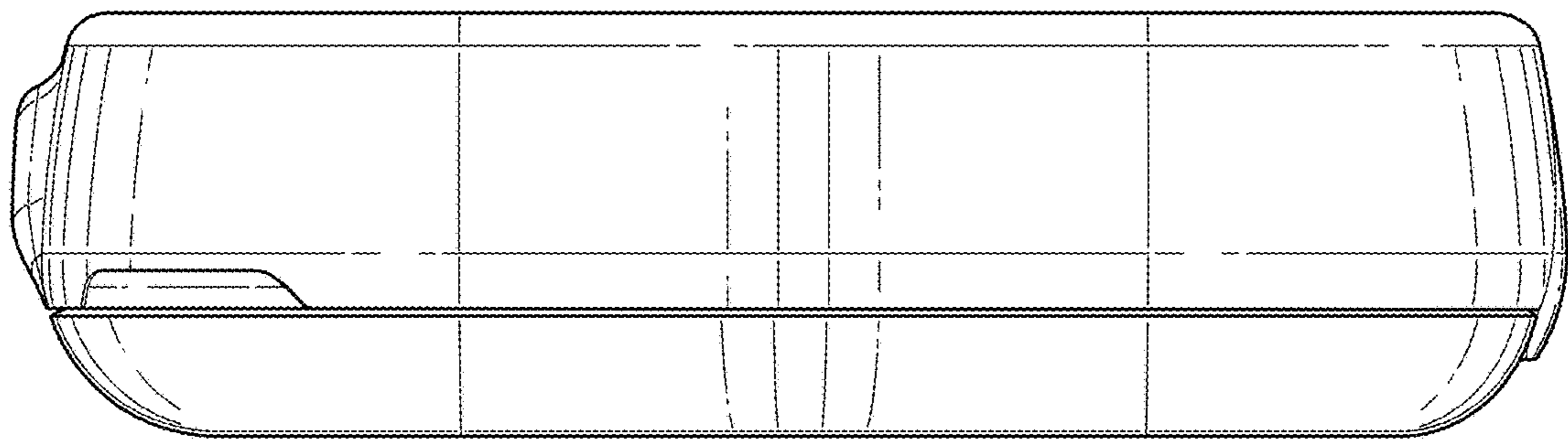


FIG. 6

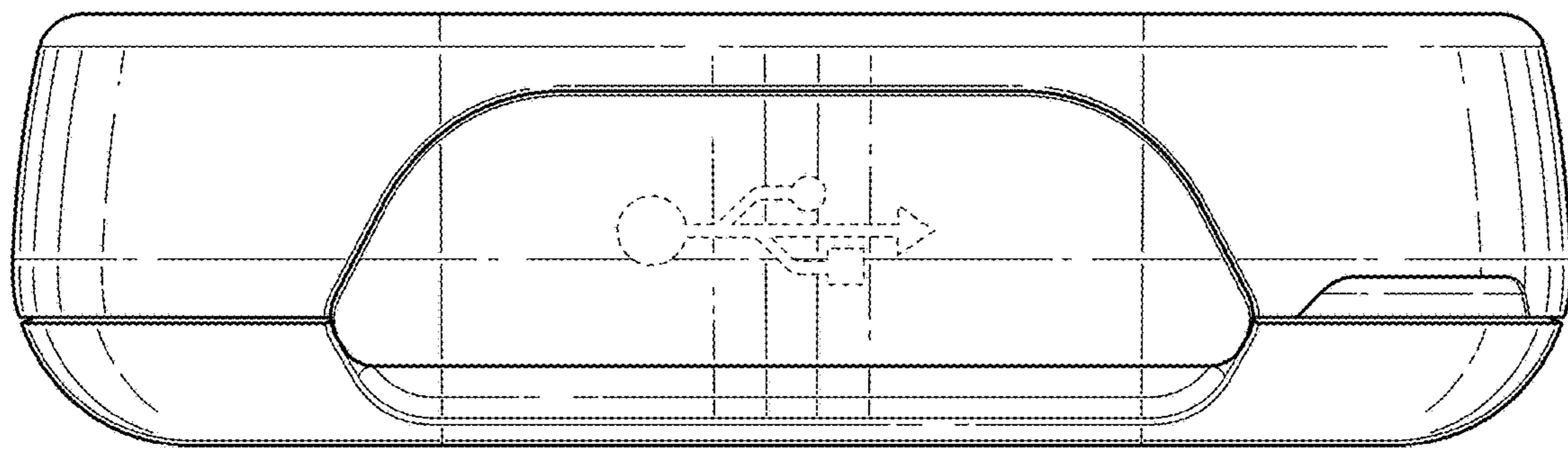


FIG. 7

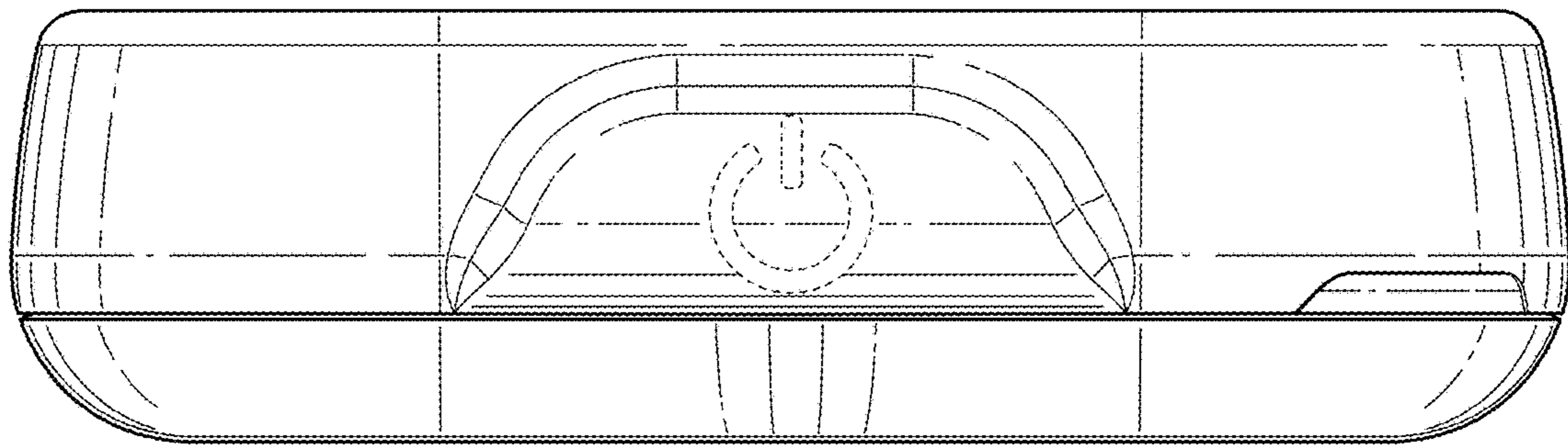


FIG. 8

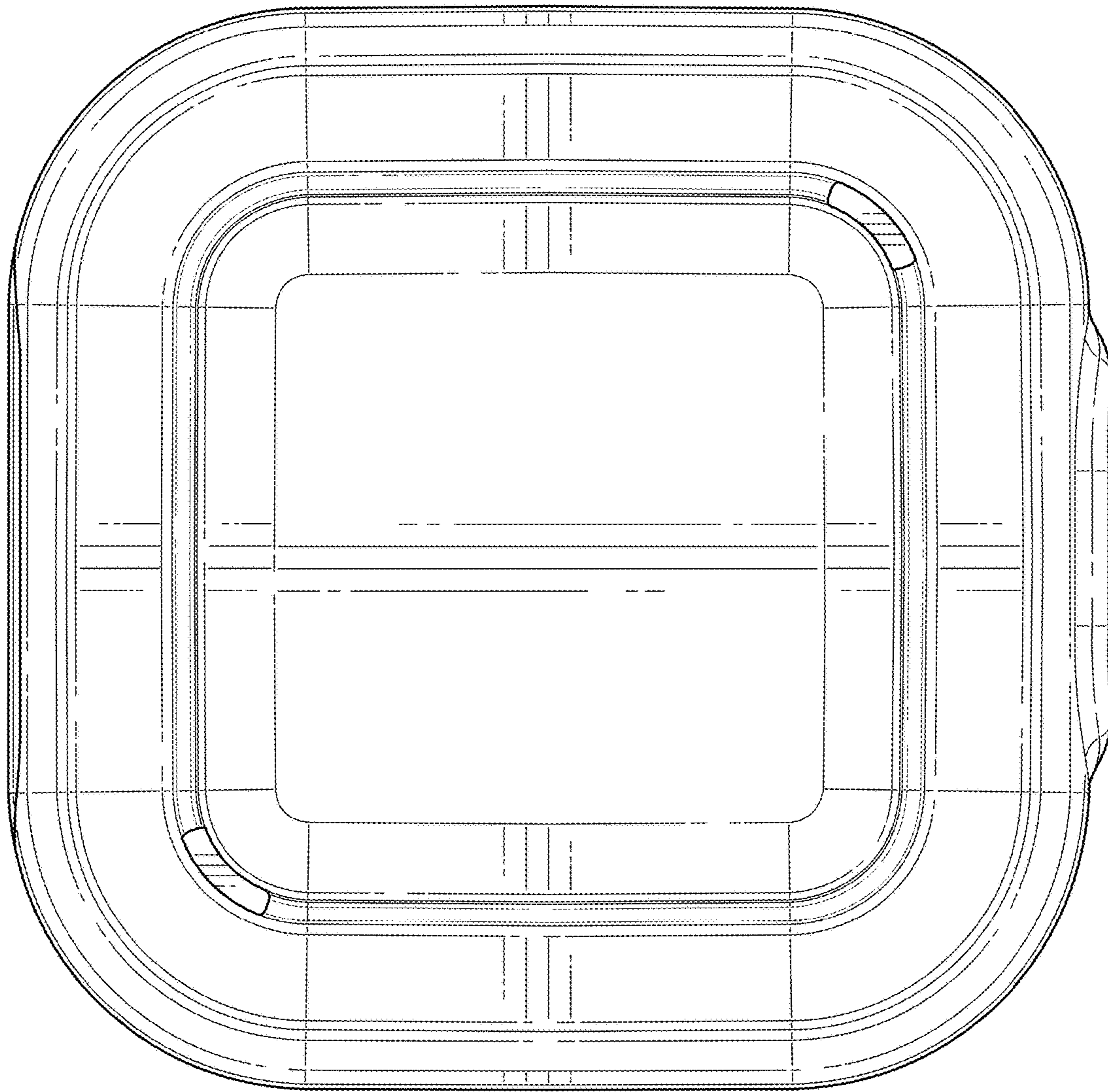


FIG. 9

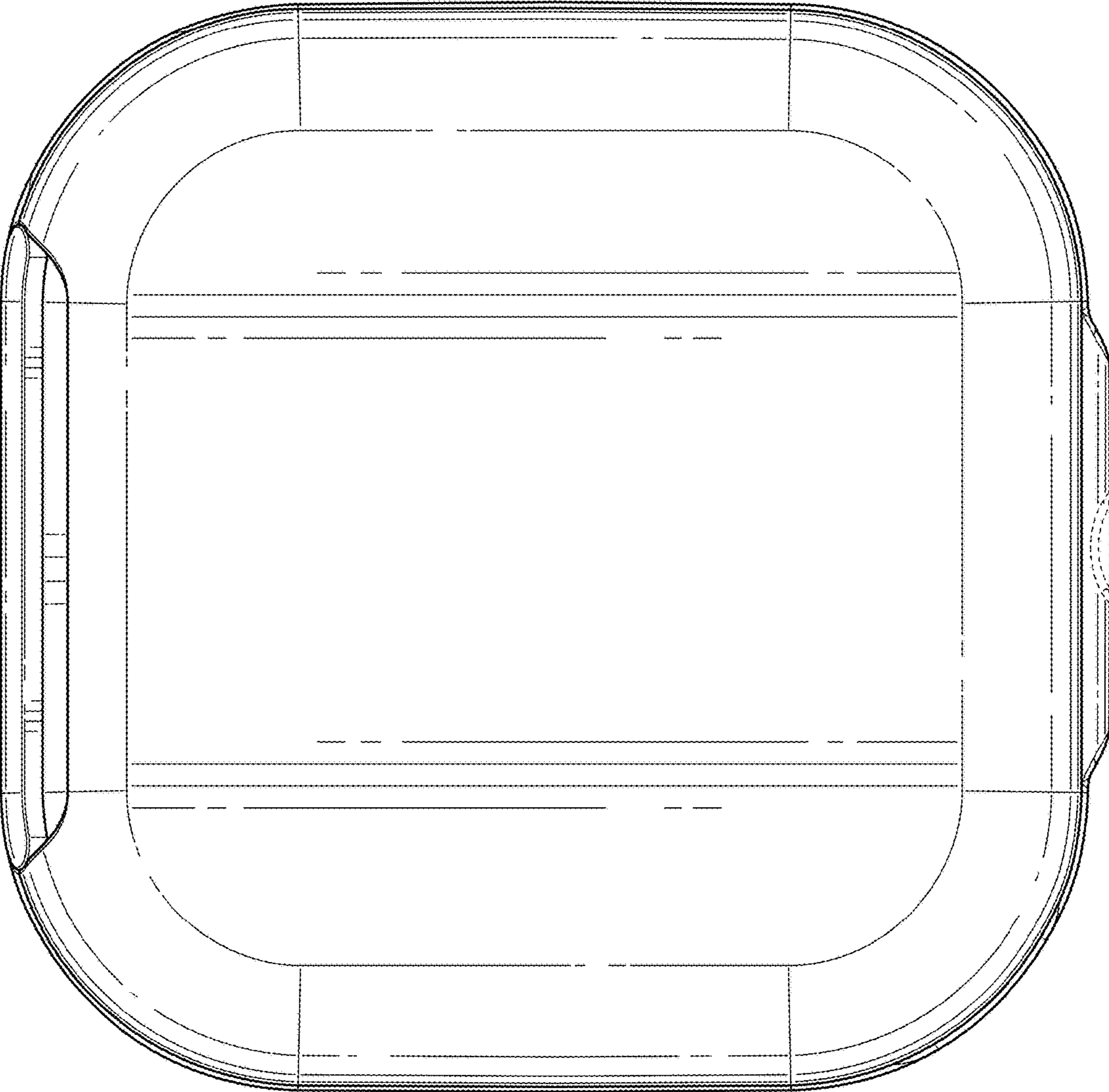


FIG. 10