



US00D800819S

(12) **United States Design Patent**
Parfitt et al.

(10) **Patent No.:** **US D800,819 S**

(45) **Date of Patent:** **** Oct. 24, 2017**

(54) **CAMERA DIVE HOUSING**

(71) Applicant: **GoPro, Inc.**, San Mateo, CA (US)

(72) Inventors: **Benjamin Parfitt**, Mountain View, CA (US); **Theresa Loney Casarez**, San Carlos, CA (US)

(73) Assignee: **GoPro, Inc.**, San Mateo, CA (US)

(**) Term: **15 Years**

(21) Appl. No.: **29/586,340**

(22) Filed: **Dec. 2, 2016**

Related U.S. Application Data

(63) Continuation of application No. 29/549,861, filed on Dec. 29, 2015, now Pat. No. Des. 776,741.

(51) **LOC (10) Cl.** **16-05**

(52) **U.S. Cl.**
USPC **D16/219**

(58) **Field of Classification Search**
USPC D3/267, 294; D8/323, 331; D14/253; D16/200, 202-204, 208, 211, 218, 219, D16/242; 248/176.1, 187.1; 348/81, 348/373-376; 396/25, 27, 29, 419, 535, 396/539-541; 206/316.2
CPC G03B 15/03; G03B 17/02; G03B 17/04; G03B 17/08; G03B 17/56; G03B 19/04; H04N 5/2251; H04N 5/2252; H04N 5/2253; H04N 5/2254; A45C 11/38
See application file for complete search history.

(56) **References Cited**

U.S. PATENT DOCUMENTS

D635,436 S * 4/2011 Barton D8/331
D635,437 S * 4/2011 Barton D8/331
D635,438 S * 4/2011 Barton D8/331

D635,439 S * 4/2011 Barton D8/331
D635,440 S * 4/2011 Barton D8/331
8,014,656 B2 * 9/2011 Woodman B63B 25/002
396/25
D646,313 S 10/2011 Woodman
D647,554 S * 10/2011 Yim D16/204
D657,808 S * 4/2012 Woodman D16/200
D674,428 S * 1/2013 Woodman D16/207
D674,429 S * 1/2013 Woodman D16/207
8,544,643 B2 * 10/2013 Yim G03B 17/08
206/316.2
D699,277 S 2/2014 Samuels et al.
D699,947 S * 2/2014 To D14/250
D702,747 S 4/2014 Woodman et al.
D710,921 S 8/2014 Gioscia et al.

(Continued)

Primary Examiner — Philip S Hyder

Assistant Examiner — Ramzi Almatrahi

(74) *Attorney, Agent, or Firm* — Fenwick & West LLP

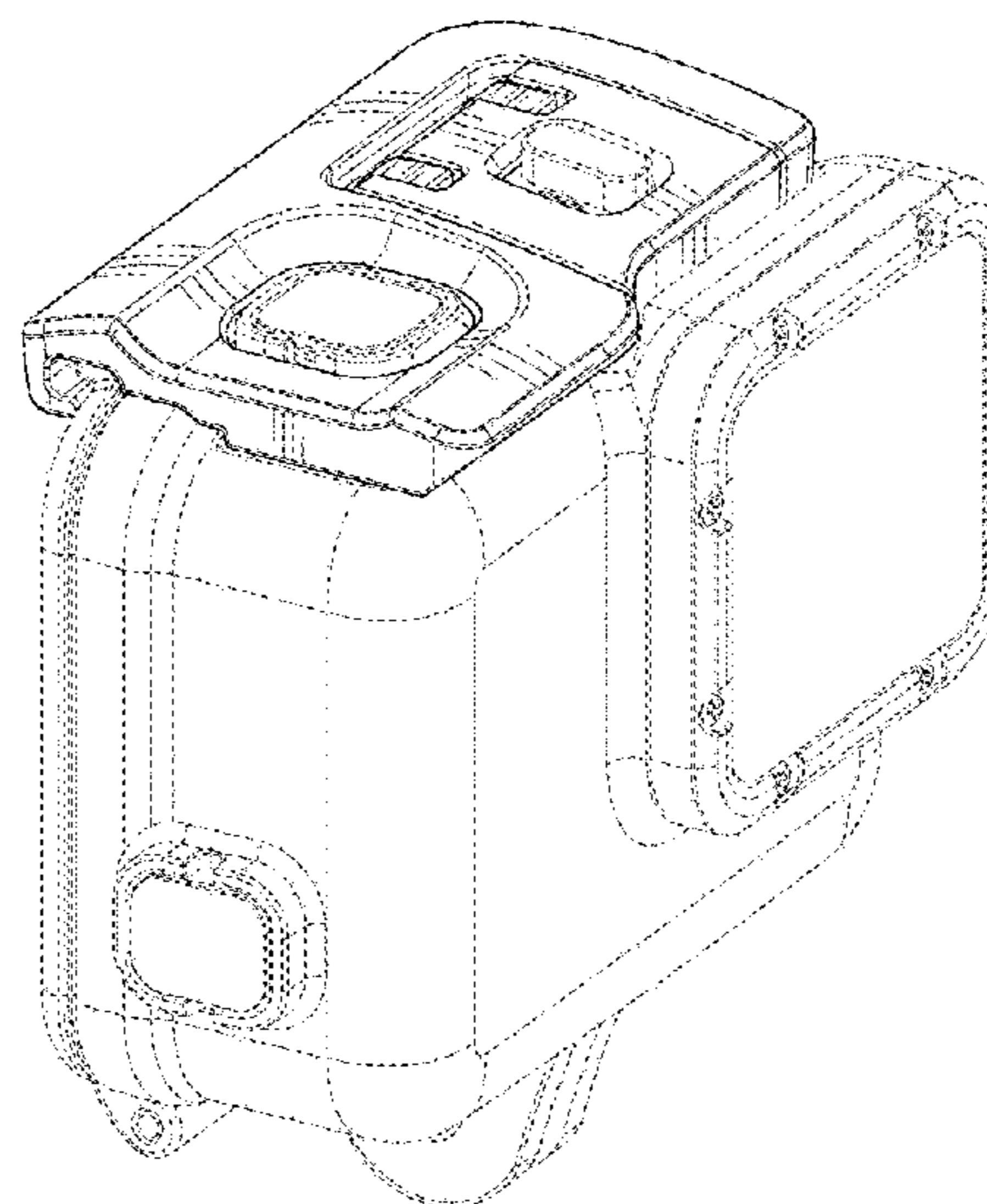
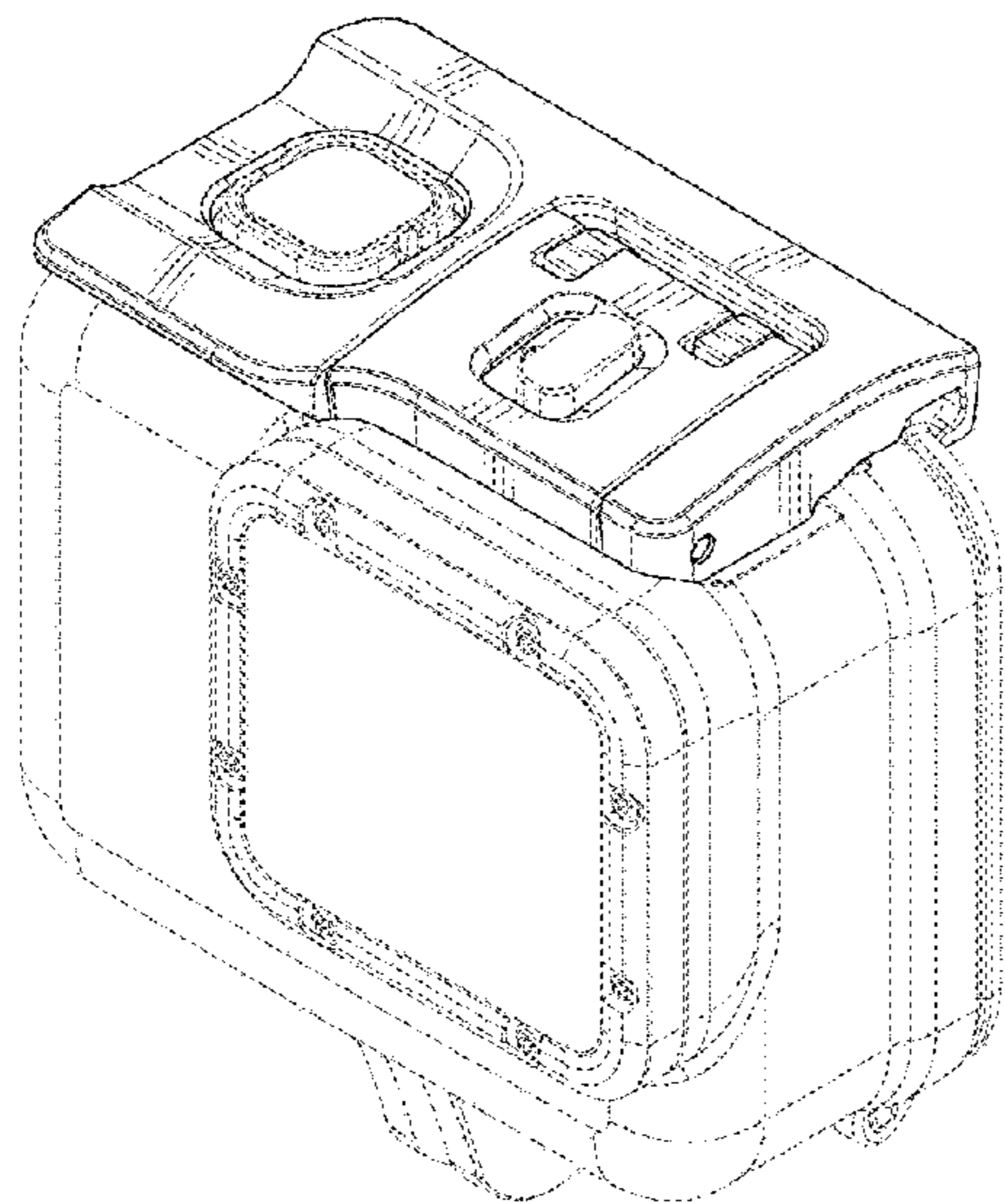
(57) **CLAIM**

The ornamental design for a camera dive housing, as shown and described.

DESCRIPTION

FIG. 1 is a front, right, and top perspective view of a camera dive housing;
FIG. 2 is a rear, left, and bottom perspective view thereof;
FIG. 3 is a front, left, and top perspective view thereof;
FIG. 4 is a rear, right, and bottom perspective view thereof;
FIG. 5 is a front elevational view thereof;
FIG. 6 is a rear elevational view thereof;
FIG. 7 is a left side elevational view thereof;
FIG. 8 is a right side elevational view thereof;
FIG. 9 is a top plan view thereof; and,
FIG. 10 is a bottom plan view thereof.
The broken lines depict portions of a camera dive housing in which the design is embodied that form no part of the claimed design.

1 Claim, 10 Drawing Sheets



(56)

References Cited

U.S. PATENT DOCUMENTS

D710,922	S	8/2014	Gioscia et al.	
D724,637	S	3/2015	Samuels et al.	
D724,638	S	3/2015	Samuels et al.	
D725,169	S	3/2015	Gioscia et al.	
D734,799	S	7/2015	Woodman et al.	
D735,790	S	8/2015	Gioscia et al.	
D739,451	S	9/2015	Gioscia et al.	
D740,868	S	10/2015	Gioscia et al.	
D740,876	S	10/2015	Woodman et al.	
D741,394	S	10/2015	Gioscia et al.	
D750,146	S	2/2016	Costa et al.	
D750,680	S	3/2016	Chen	
D751,133	S	3/2016	Gioscia et al.	
D752,671	S	3/2016	Harrison et al.	
D752,672	S	3/2016	Clearman et al.	
D754,238	S	4/2016	Woodman	
D767,009	S	9/2016	Hinkel	
D778,335	S	* 2/2017	Gioscia	D16/200
2015/0030320	A1	1/2015	Clearman et al.	
2016/0134788	A1	5/2016	Clearman et al.	
2016/0252801	A1	9/2016	Harrison	

* cited by examiner

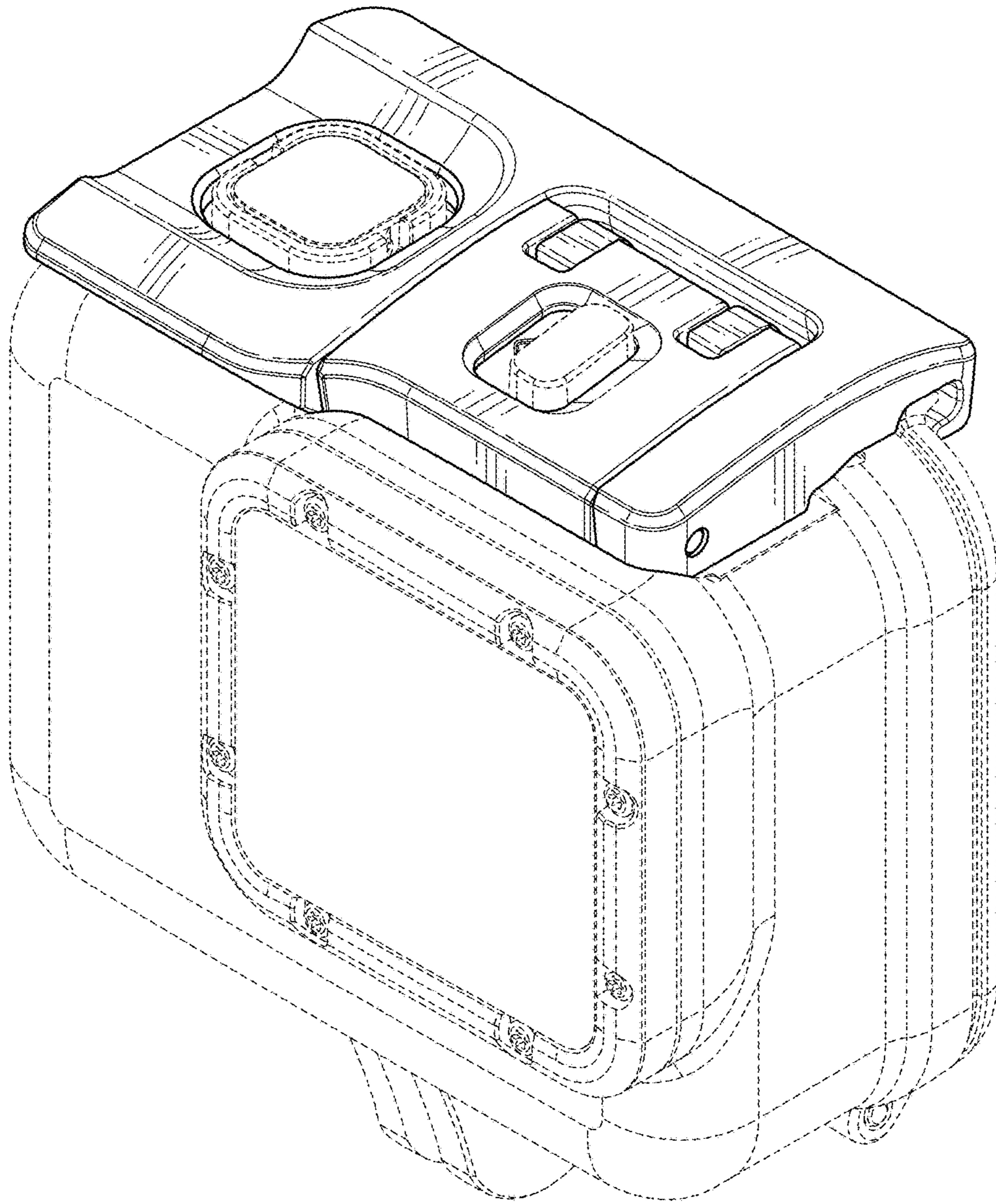


FIG. 1

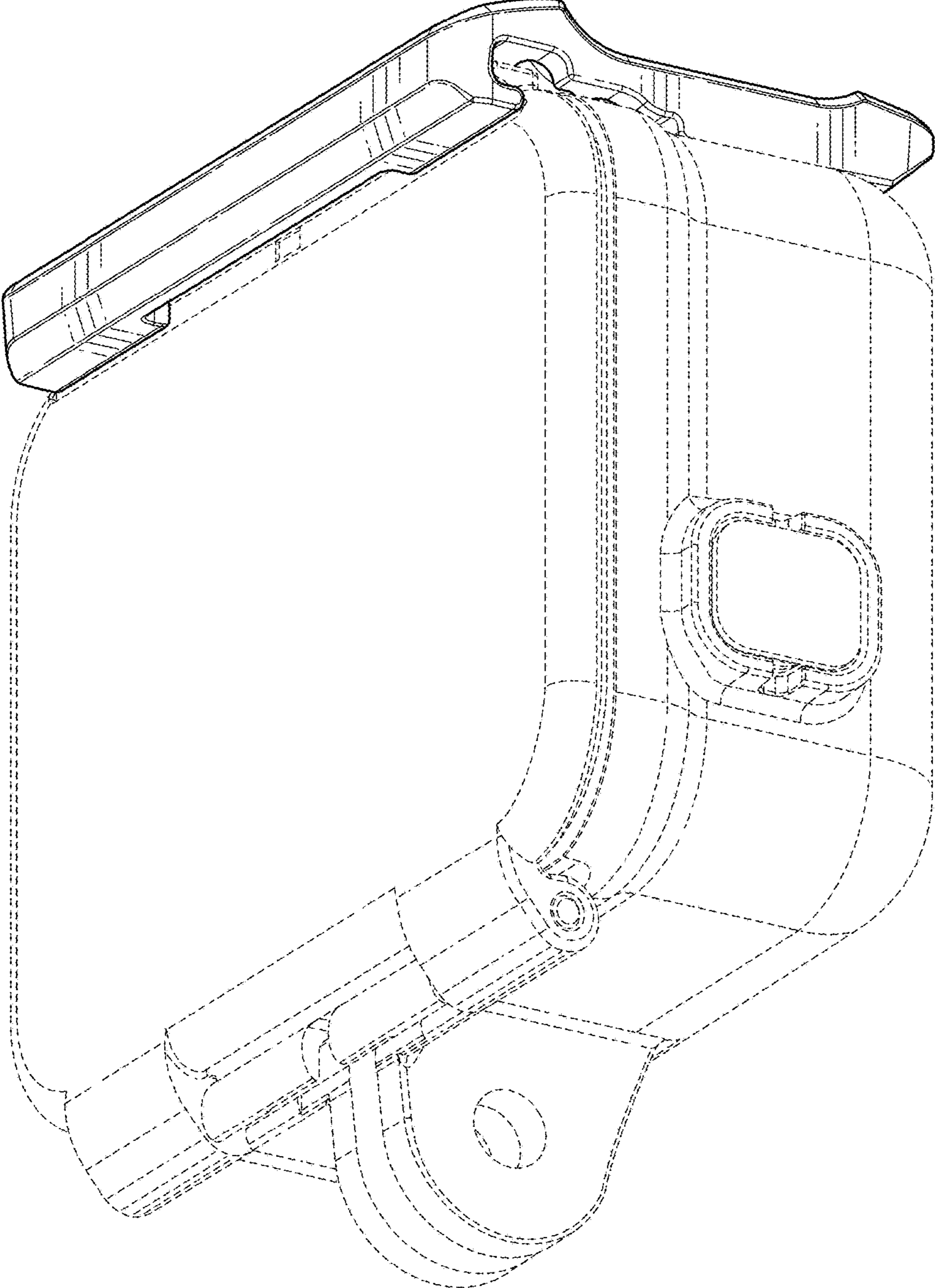


FIG. 2

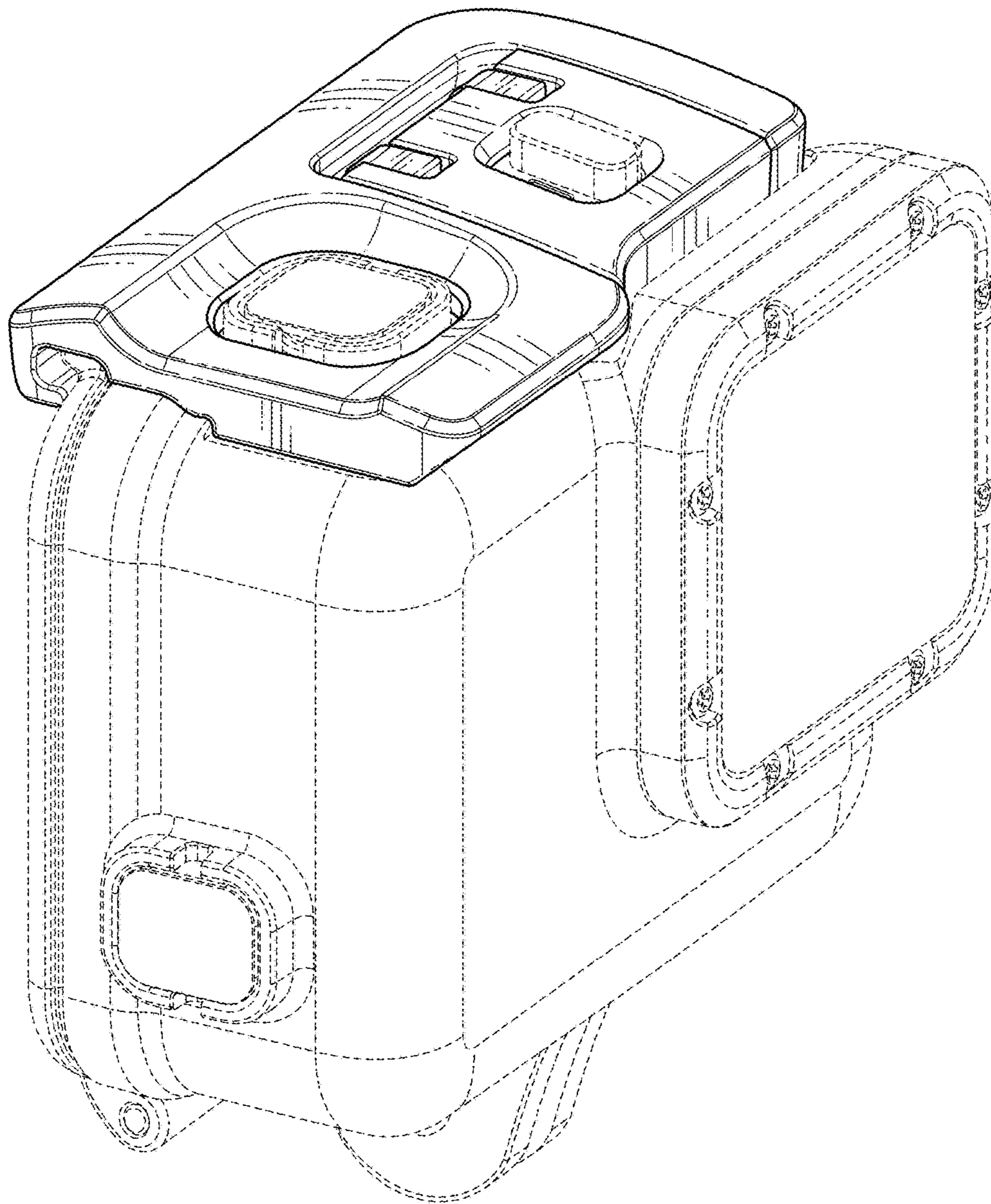


FIG. 3

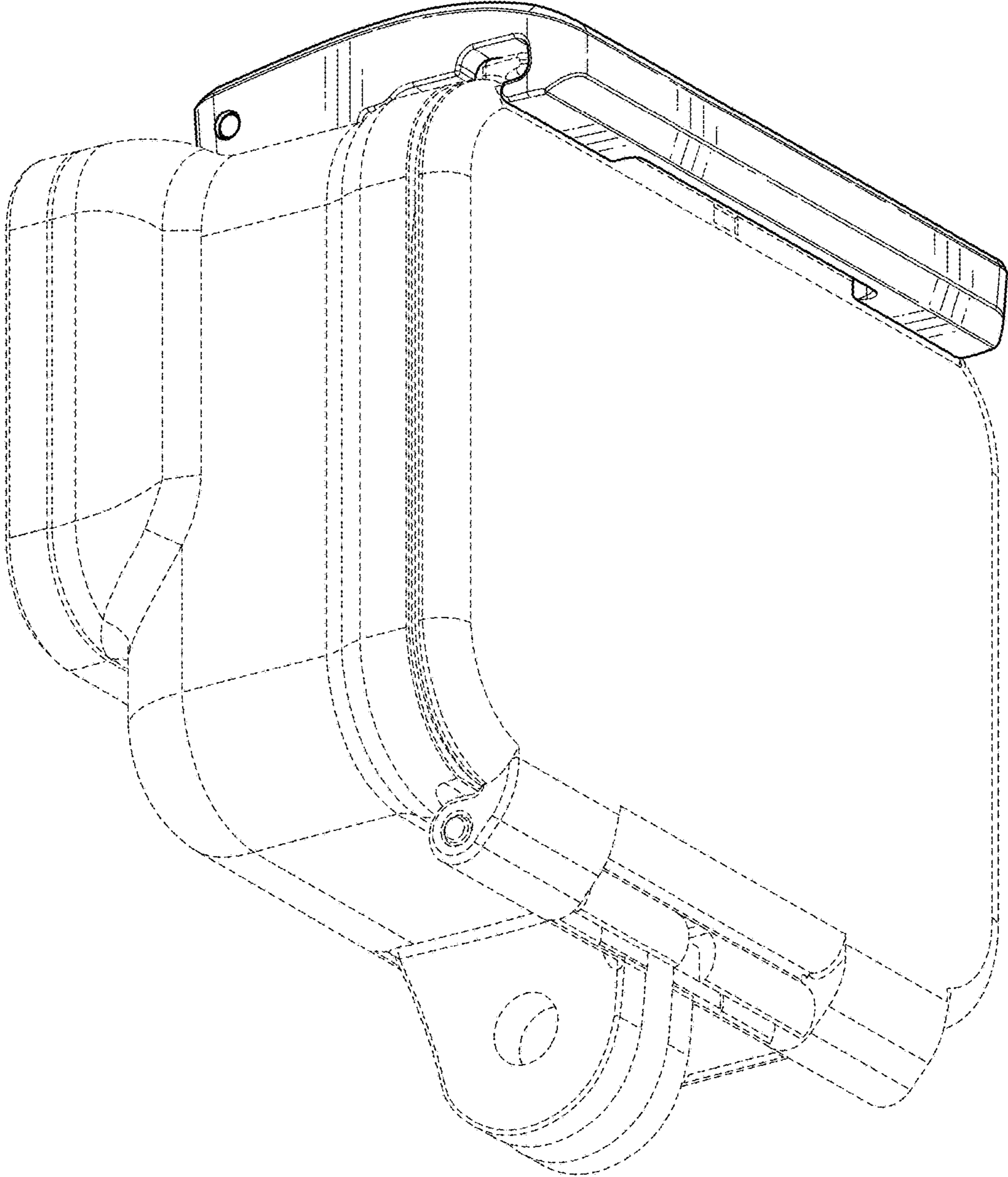


FIG. 4

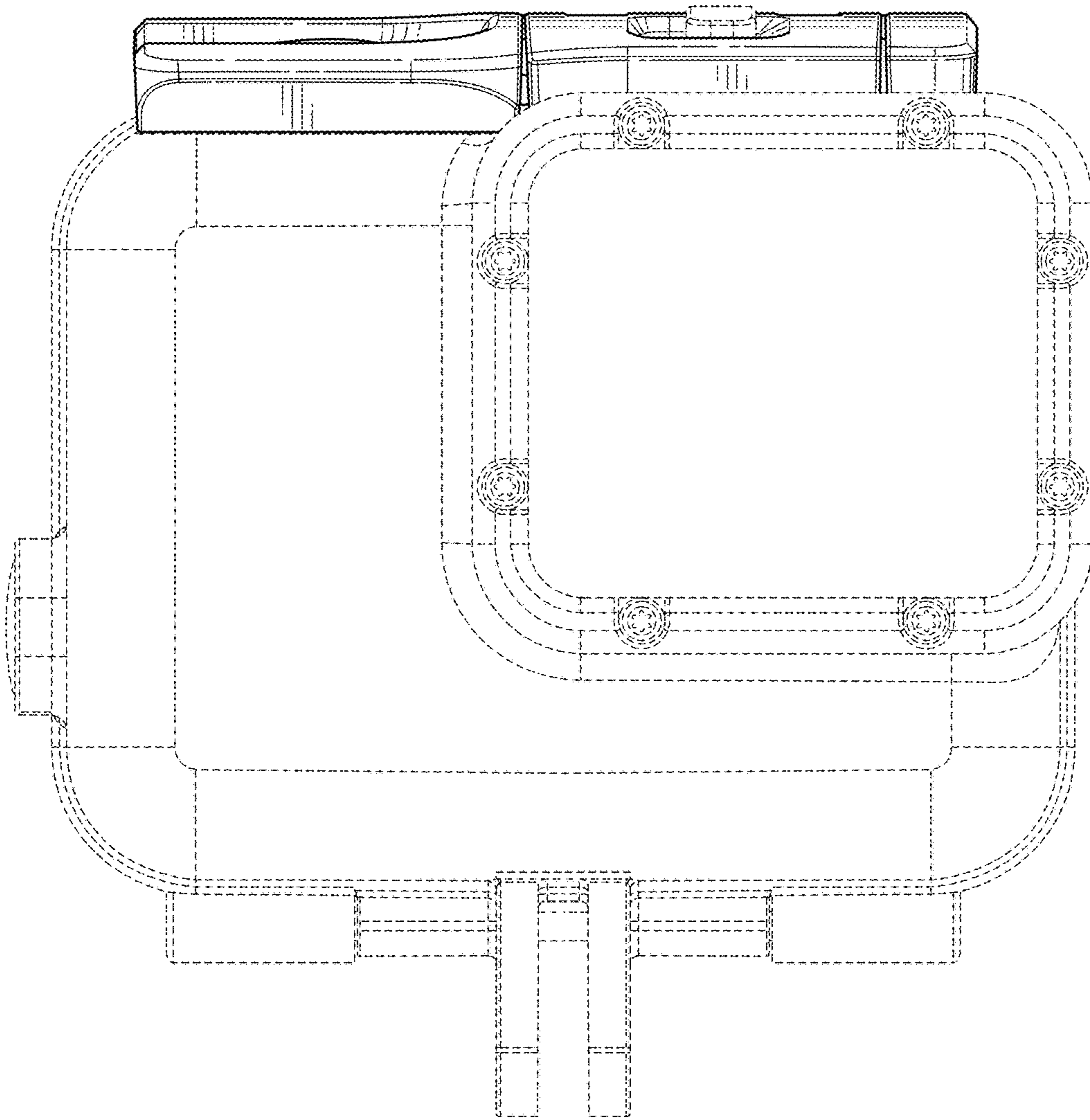


FIG. 5

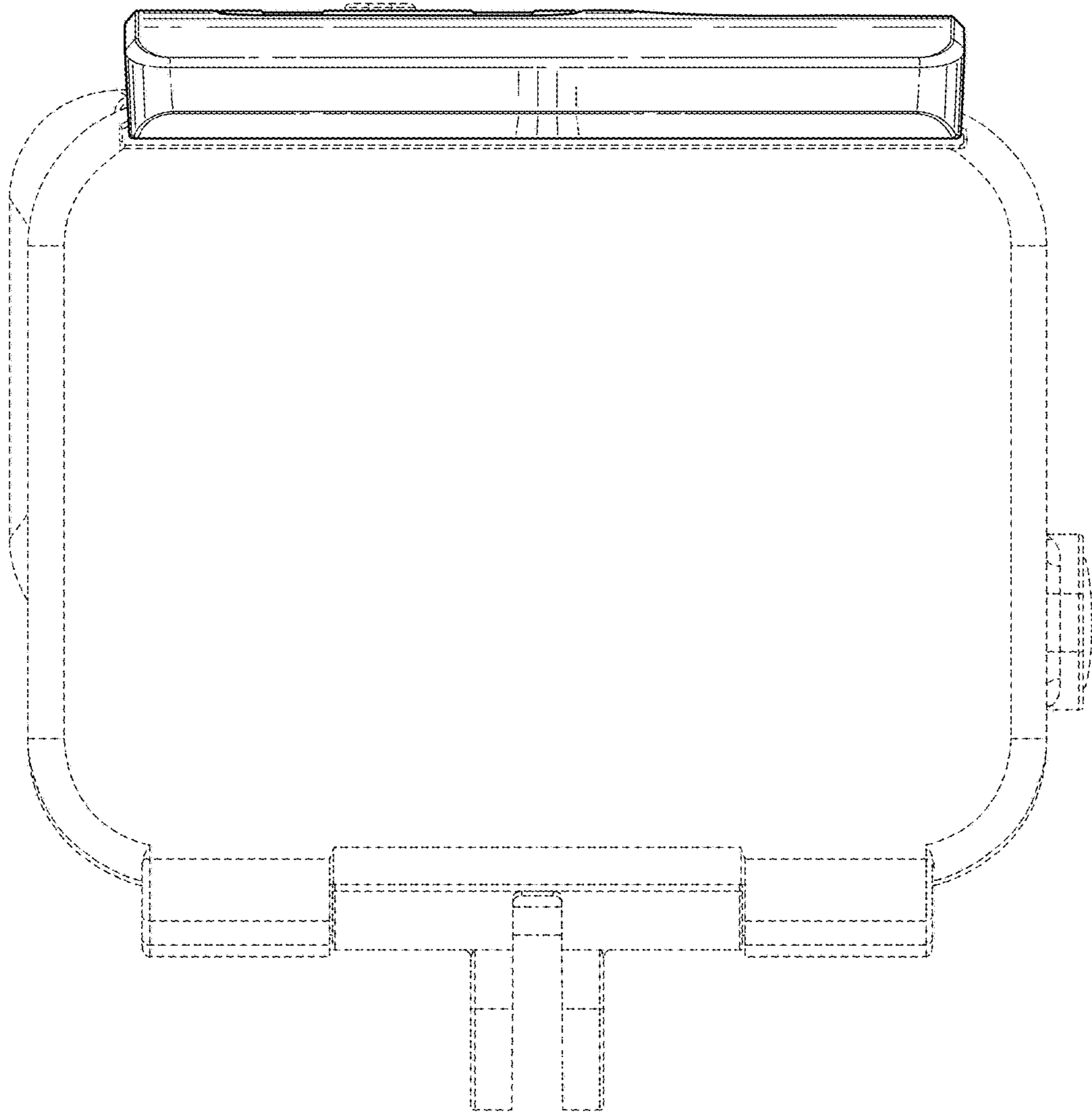


FIG. 6

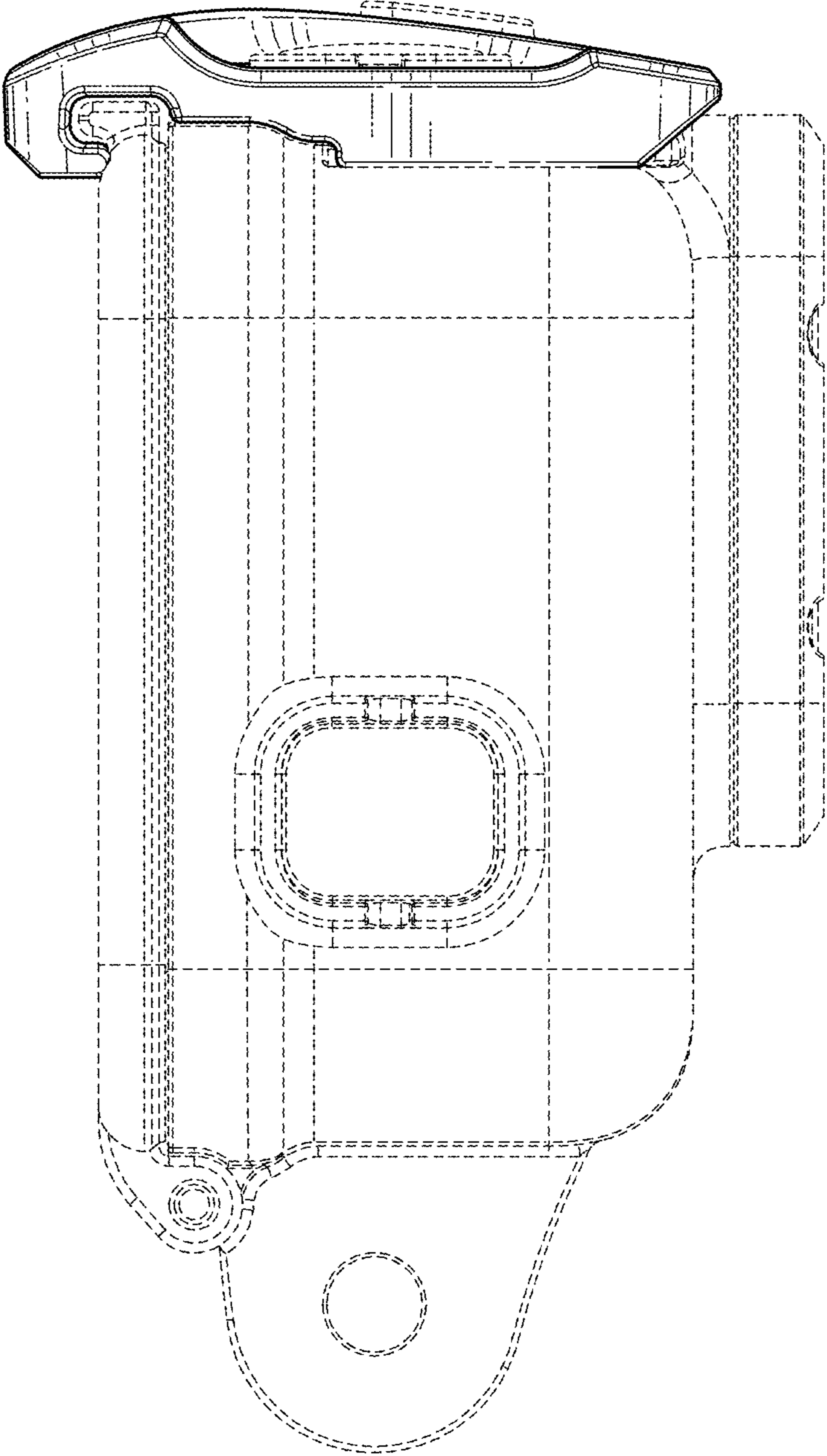


FIG. 7

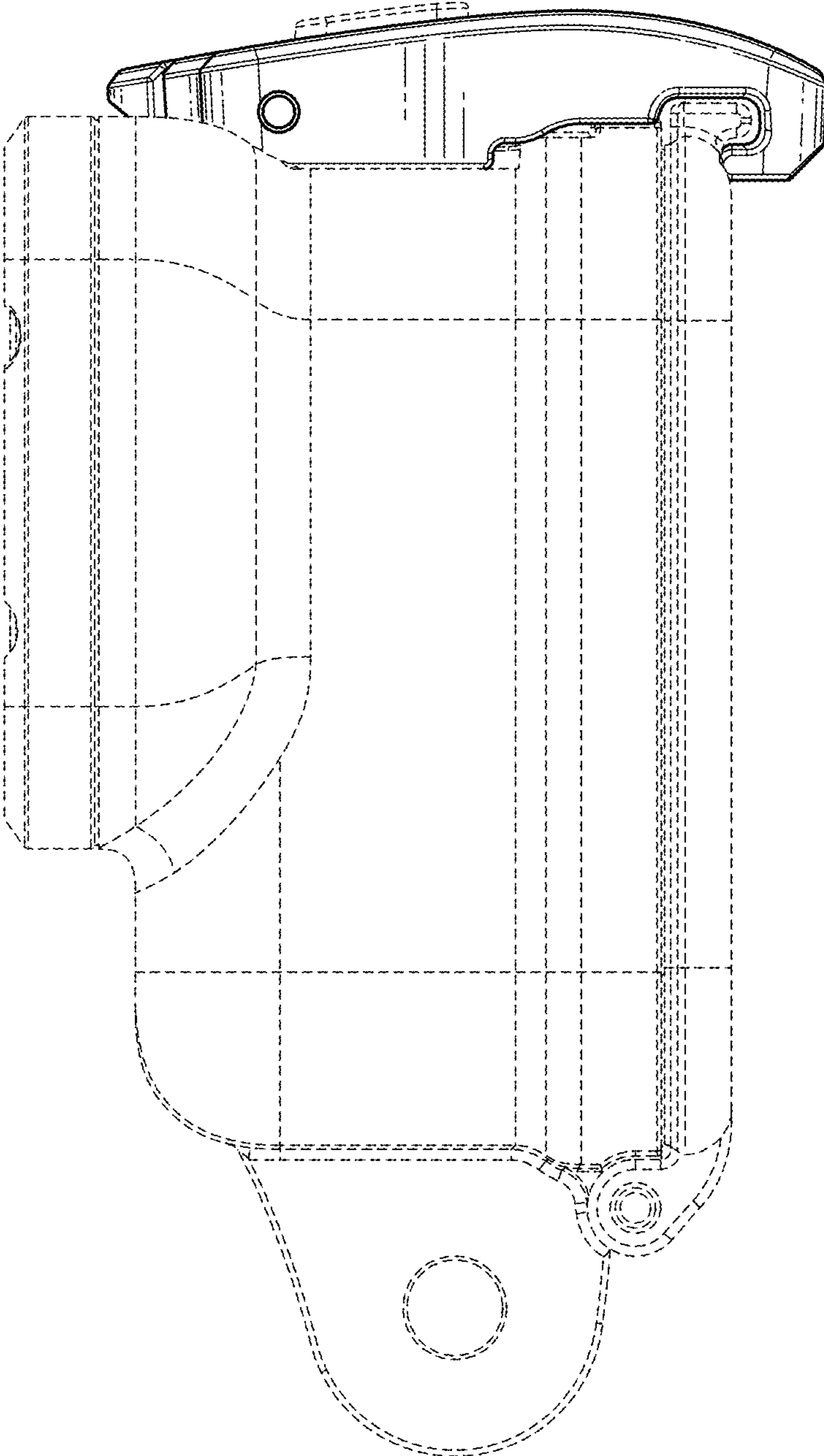


FIG. 8

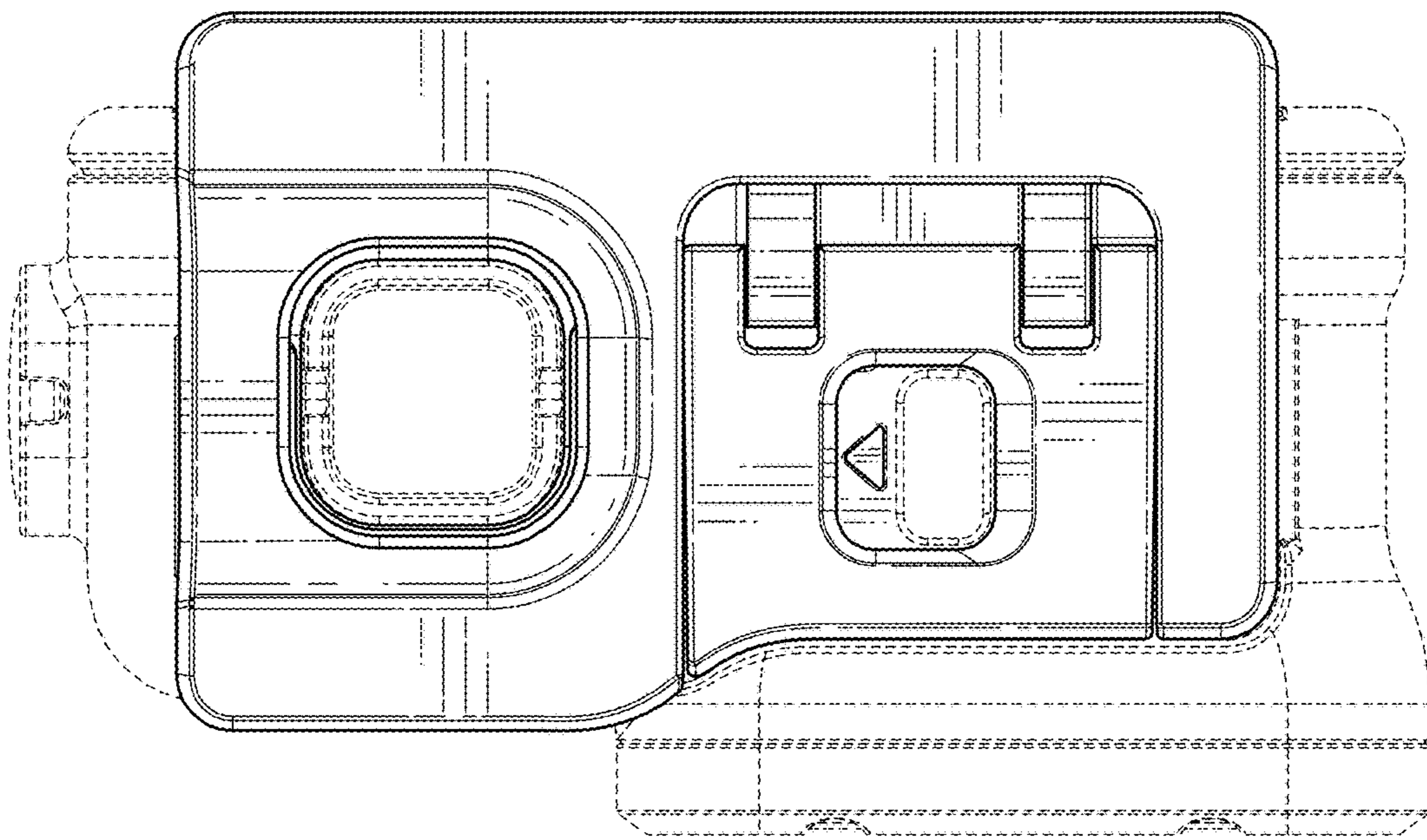


FIG. 9

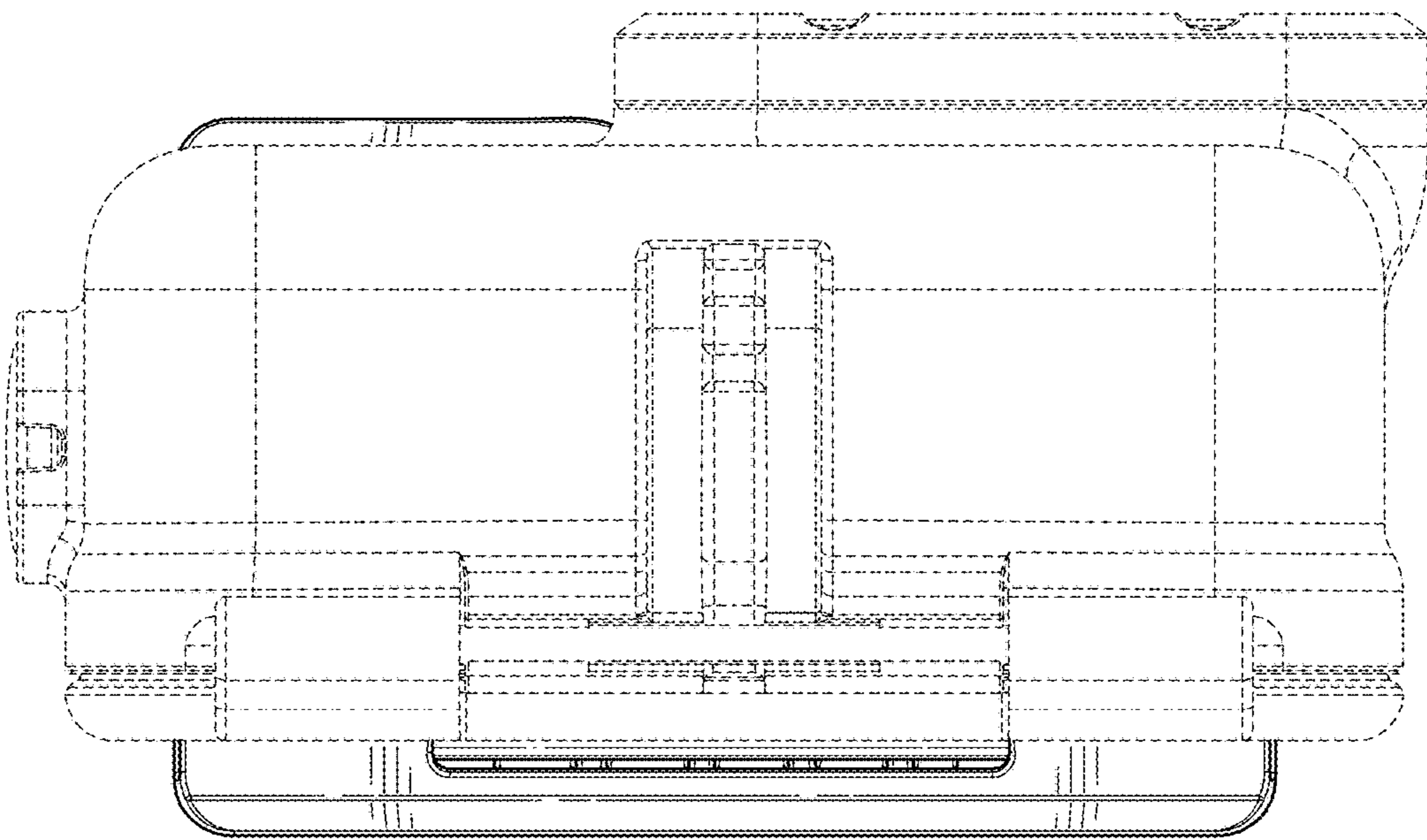


FIG. 10