

US00D800818S

(12) **United States Design Patent**
Woodman et al.

(10) **Patent No.:** **US D800,818 S**

(45) **Date of Patent:** **** Oct. 24, 2017**

(54) **CAMERA HOUSING**

(71) Applicant: **GoPro, Inc.**, San Mateo, CA (US)

(72) Inventors: **Nicholas D. Woodman**, Woodside, CA (US); **Fred Bould**, Half Moon Bay, CA (US); **Kristen Beck**, San Mateo, CA (US); **Rudy Lucas Samuels**, Mill Valley, CA (US); **David Christophe Northway**, San Carlos, CA (US); **Scott Patrick Campbell**, Belmont, CA (US); **Michael Zaven Demerjian**, Pacifica, CA (US); **Marvin James Balaoro**, San Francisco, CA (US); **Fabrice Barbier**, San Carlos, CA (US); **Paul Douglas Osborne**, Mill Valley, CA (US); **Meghan Ann Laffey**, Los Altos, CA (US)

(73) Assignee: **GoPro, Inc.**, San Mateo, CA (US)

(**) Term: **15 Years**

(21) Appl. No.: **29/538,973**

(22) Filed: **Sep. 10, 2015**

Related U.S. Application Data

(63) Continuation of application No. 29/512,083, filed on Dec. 16, 2014, now Pat. No. Des. 740,876, which is a continuation of application No. 29/500,031, filed on Aug. 20, 2014, now Pat. No. Des. 740,875, which is a continuation of application No. 29/482,102, filed on Feb. 13, 2014, now Pat. No. Des. 734,799, which is

(Continued)

(51) **LOC (10) Cl.** **16-05**

(52) **U.S. Cl.**

USPC **D16/219**

(58) **Field of Classification Search**

USPC D16/200, 202–206, 208, 209, 218, 219, D16/211, 242; 348/294, 373–376; 359/826; 396/6, 301, 529, 535, 539–541; D3/267, 294; D8/323, 331; D14/253; 248/176.1, 187.1

CPC G03B 15/03; G03B 17/02; G03B 17/04; G03B 17/08; G03B 17/56; G03B 19/04; H04N 5/2251; H04N 5/2252; H04N 5/2253; H04N 5/2254; H04N 2101/00
See application file for complete search history.

(56) **References Cited**

U.S. PATENT DOCUMENTS

D96,348 S 7/1935 Teaque
4,646,141 A 2/1987 Timmermans et al.
(Continued)

Primary Examiner — Philip S Hyder

Assistant Examiner — Ramzi Almatrahi

(74) *Attorney, Agent, or Firm* — Fenwick & West LLP

(57) **CLAIM**

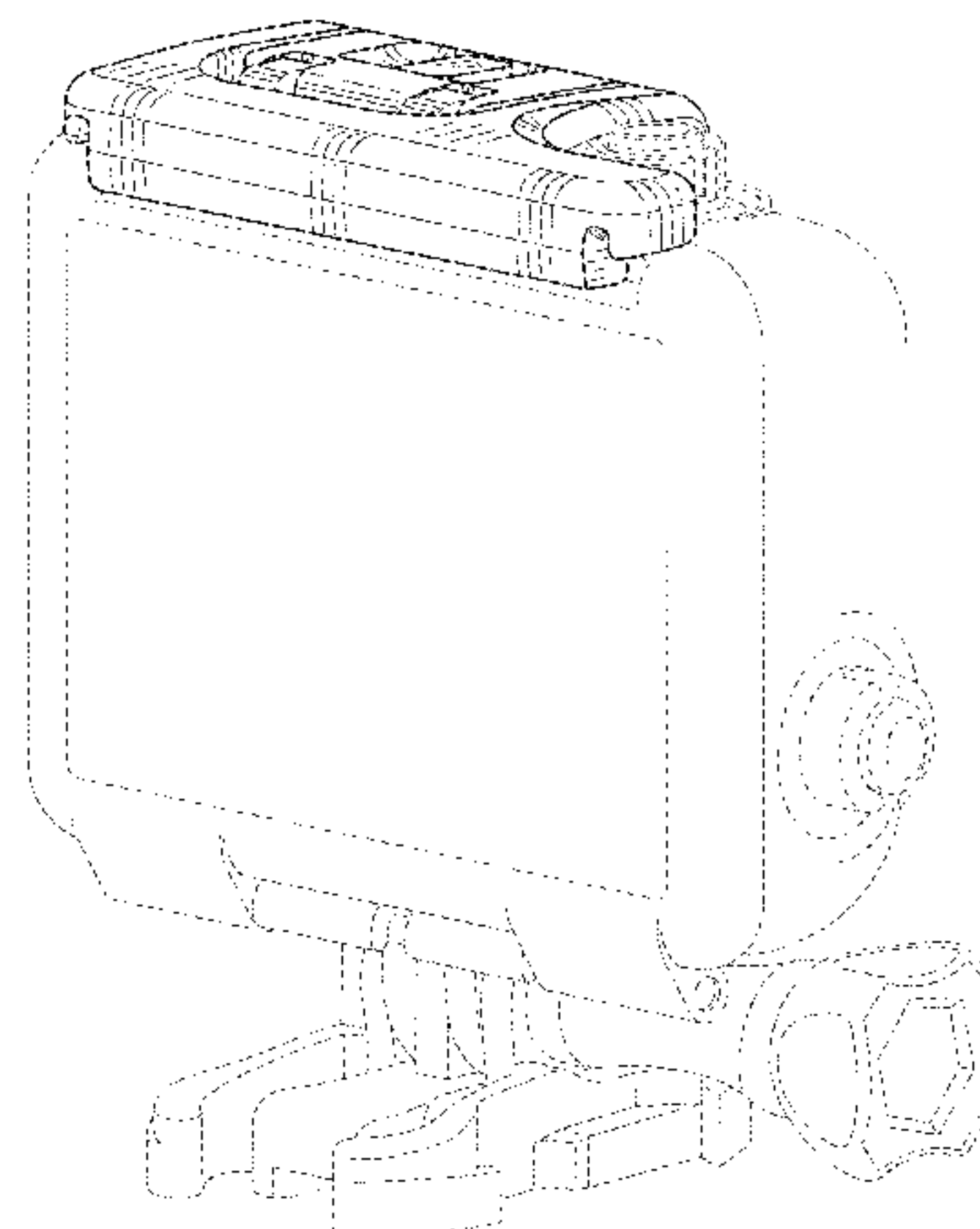
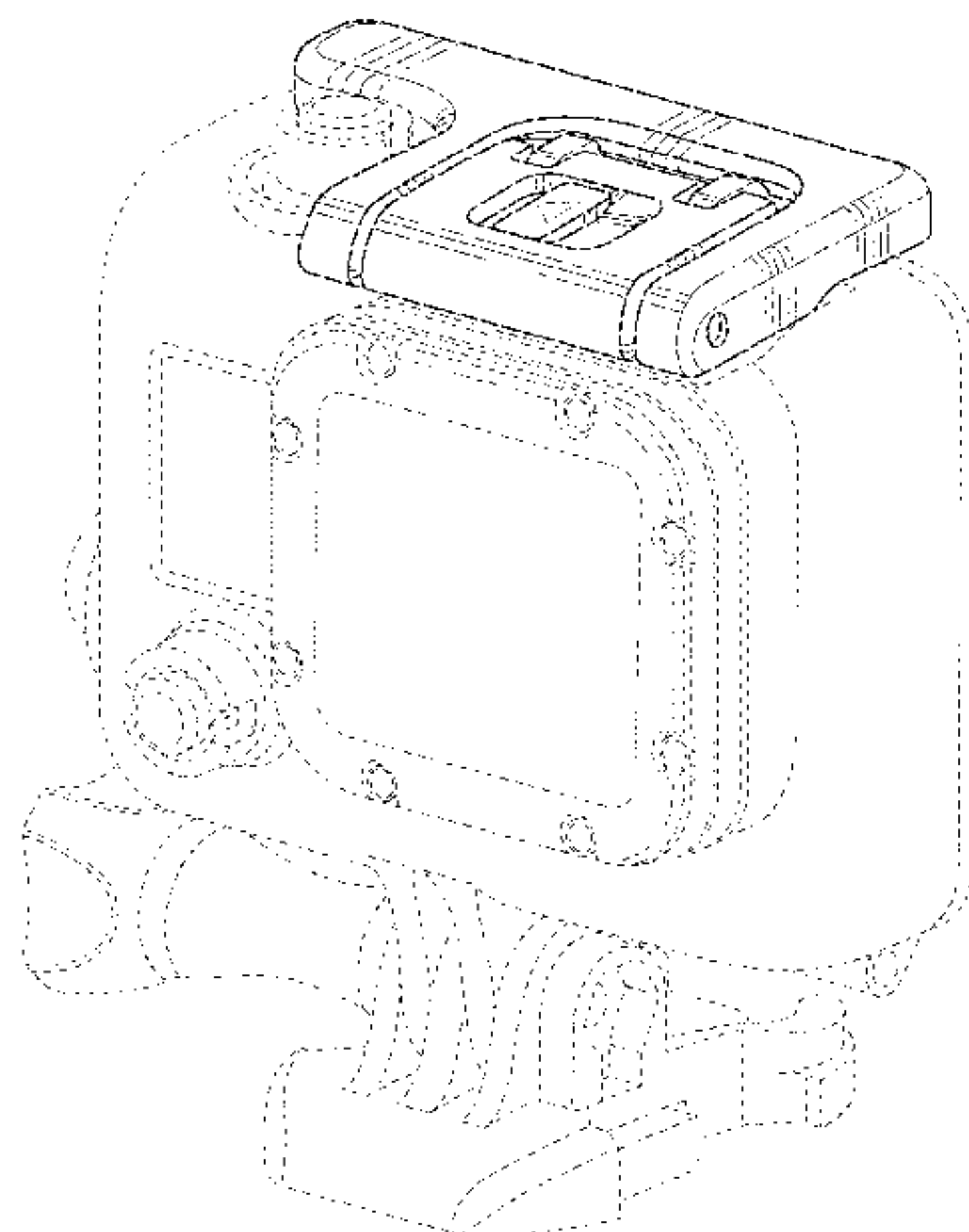
The ornamental design for a camera housing, as shown and described.

DESCRIPTION

FIG. 1 is a front, top and right side perspective view of a camera housing showing our new design; FIG. 2 is a front, bottom and left side perspective view thereof; FIG. 3 is a rear, top, and left side perspective view thereof; FIG. 4 is a rear, bottom, and right side perspective view thereof; FIG. 5 is a front elevational view thereof; FIG. 6 is a rear elevational view thereof; FIG. 7 is a left side elevational view thereof; FIG. 8 is a right side elevational view thereof; FIG. 9 is a top plan view thereof; and, FIG. 10 is a bottom plan view thereof.

The broken lines depict portions of the camera housing in which the design is embodiment that form no part of the claimed design.

1 Claim, 10 Drawing Sheets



US D800,818 S

Page 2

Related U.S. Application Data

a continuation of application No. 29/431,861, filed on
Sep. 11, 2012, now Pat. No. Des. 702,747.

(56)

References Cited

U.S. PATENT DOCUMENTS

D377,940 S 2/1997 Totsch
D419,296 S * 1/2000 Shinano D16/204
D441,386 S 5/2001 Yamazaki
D453,177 S * 1/2002 Uehara D16/202
D460,474 S 7/2002 Gotham et al.
D504,904 S 5/2005 Nagai et al.
D550,742 S * 9/2007 Ishii D16/200
7,413,357 B2 8/2008 Badalian
D582,955 S 12/2008 Sekine et al.
D621,432 S * 8/2010 Yim D16/204
D635,436 S * 4/2011 Barton D8/331
D635,437 S * 4/2011 Barton D8/331
D635,438 S * 4/2011 Barton D8/331
D635,439 S * 4/2011 Barton D8/331
D635,440 S * 4/2011 Barton D8/331
D645,725 S * 9/2011 Katz D8/323

8,014,656 B2 9/2011 Woodman
D646,313 S 10/2011 Woodman
D647,554 S * 10/2011 Yim D16/204
D657,808 S 4/2012 Woodman
D657,811 S 4/2012 Woodman
D674,428 S * 1/2013 Woodman D16/207
D674,429 S * 1/2013 Woodman D16/207
8,544,643 B2 * 10/2013 Yim G03B 17/08
206/316.2
8,596,890 B2 * 12/2013 Yim H04N 5/232
248/187.1
D700,778 S * 3/2014 To D14/250
D702,277 S 4/2014 Woodman
D710,921 S 8/2014 Gioscia et al.
D710,922 S 8/2014 Gioscia et al.
8,870,475 B1 10/2014 Bennett et al.
D719,811 S * 12/2014 Cooper D8/323
D725,169 S 3/2015 Gioscia et al.
D735,790 S * 8/2015 Gioscia D16/219
D750,146 S * 2/2016 Costa D16/200
D750,680 S * 3/2016 Chen D16/200
D768,752 S * 10/2016 Silver D16/237
D778,335 S * 2/2017 Gioscia D16/200

* cited by examiner

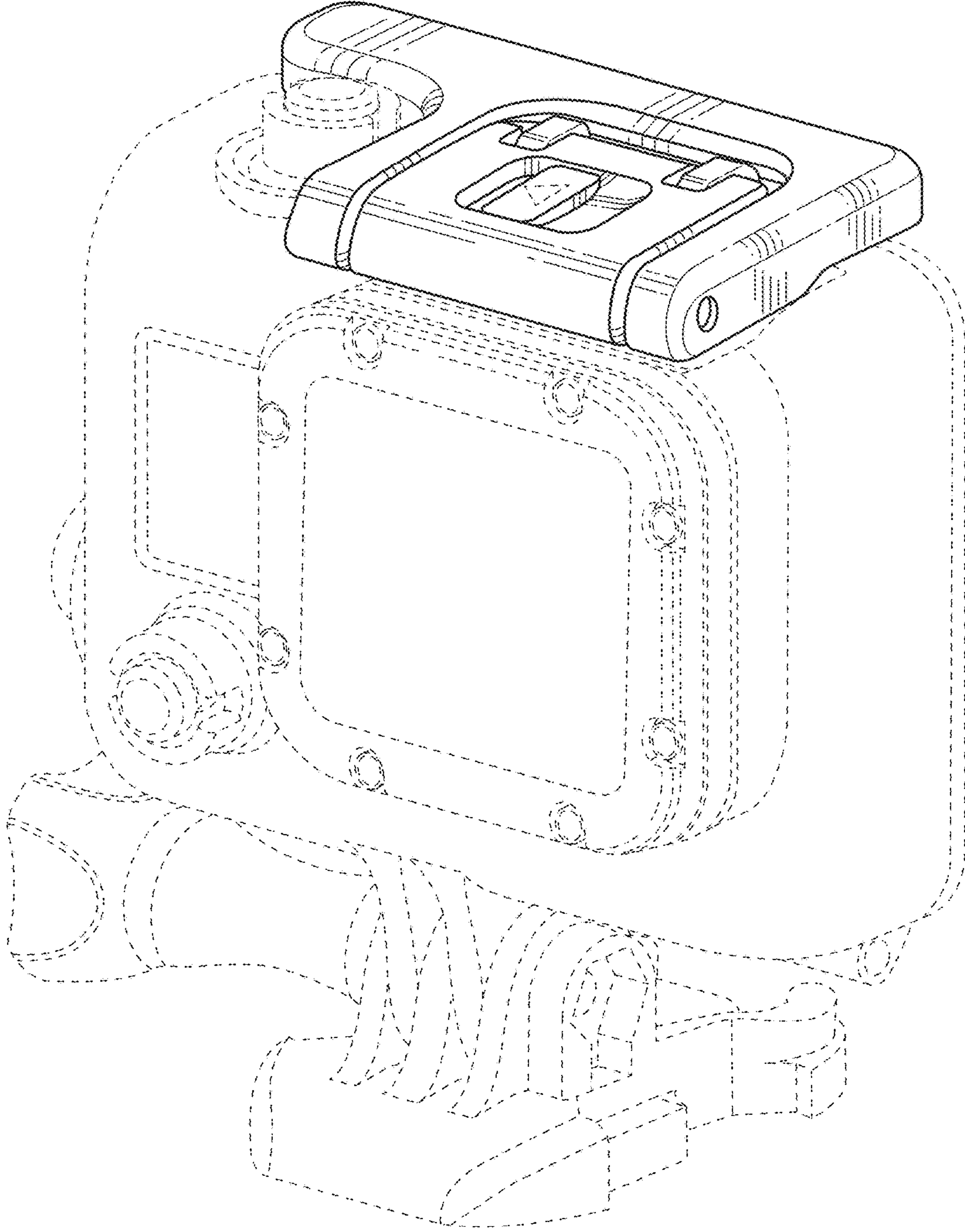


FIG. 1

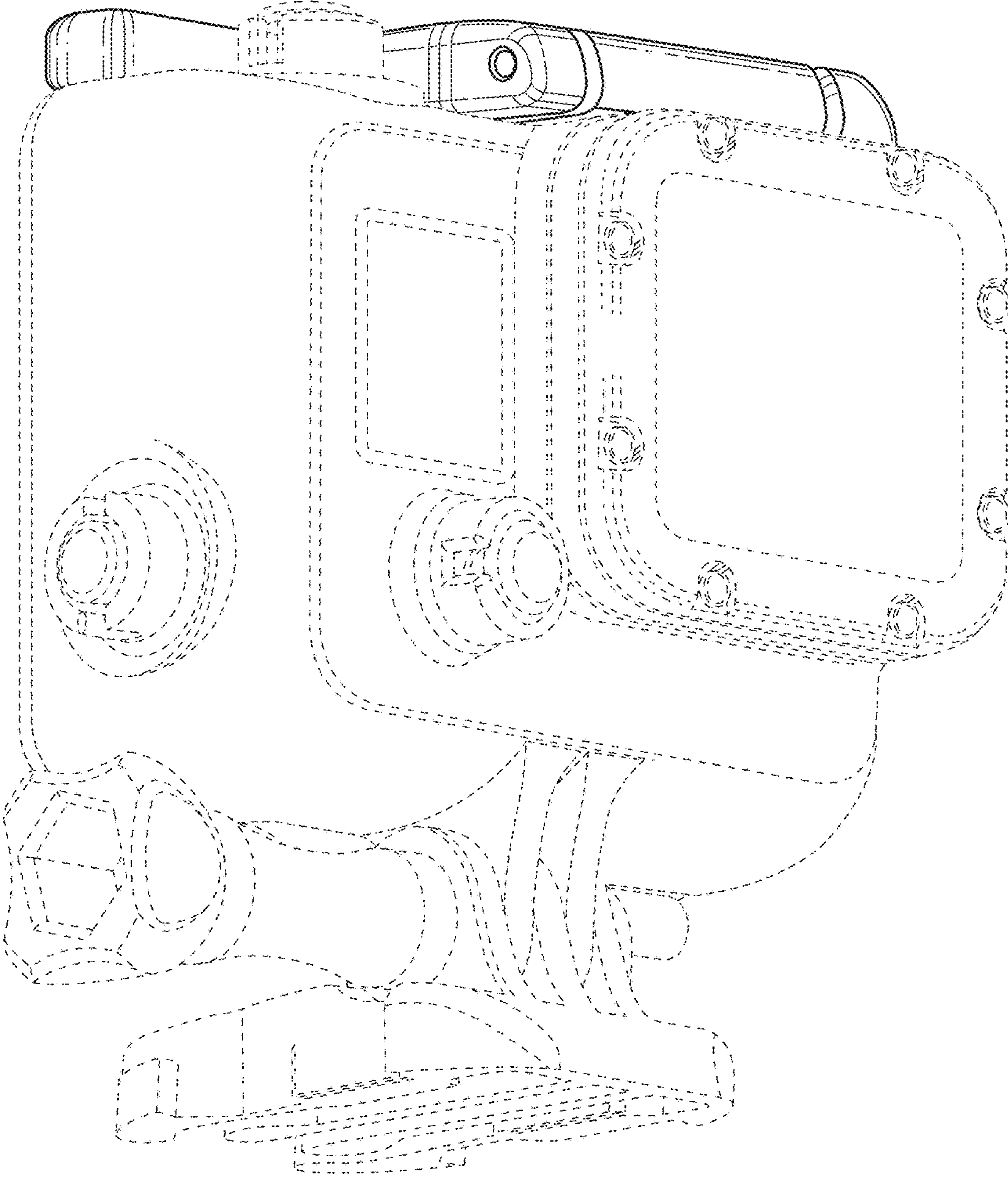


FIG. 2

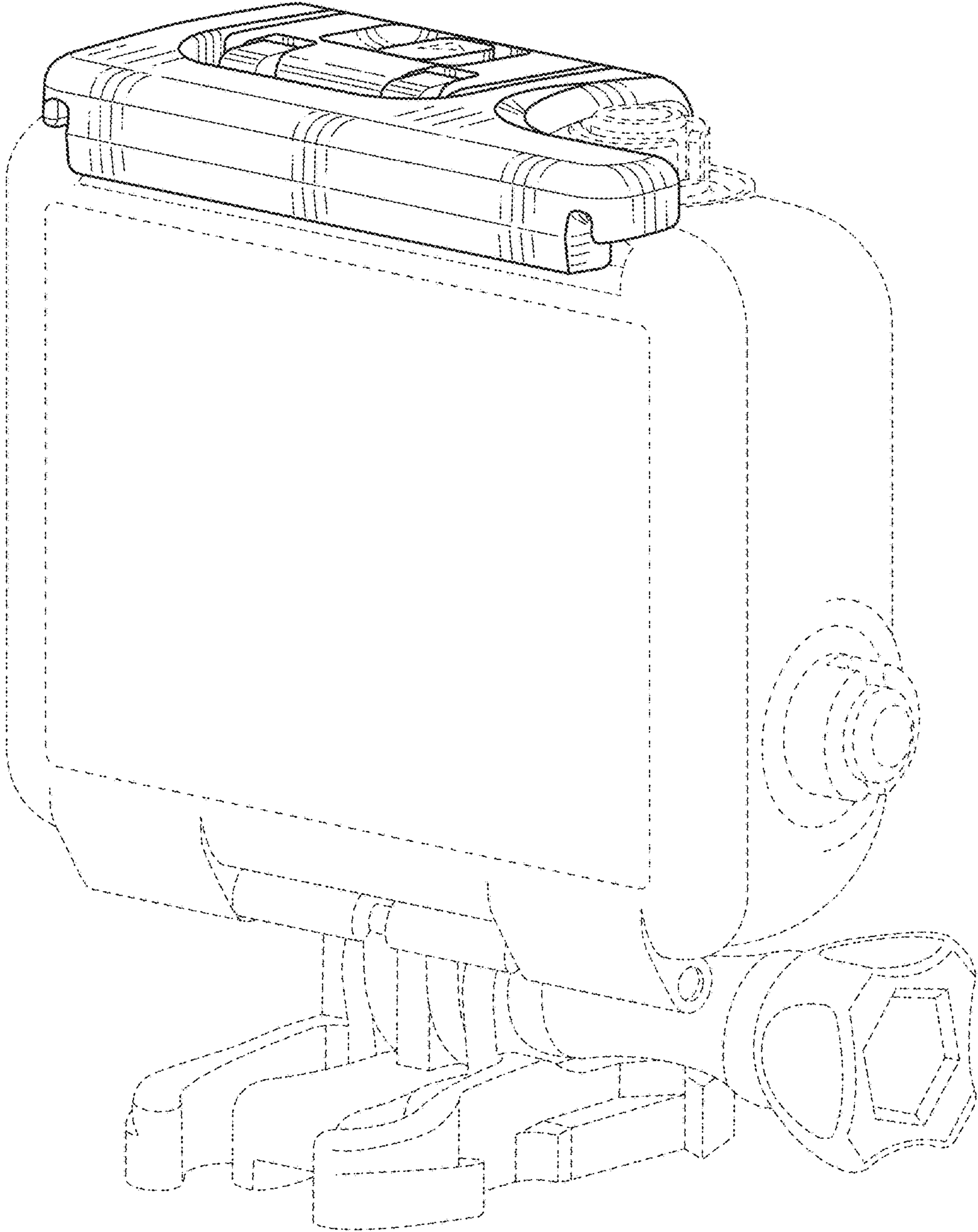


FIG. 3

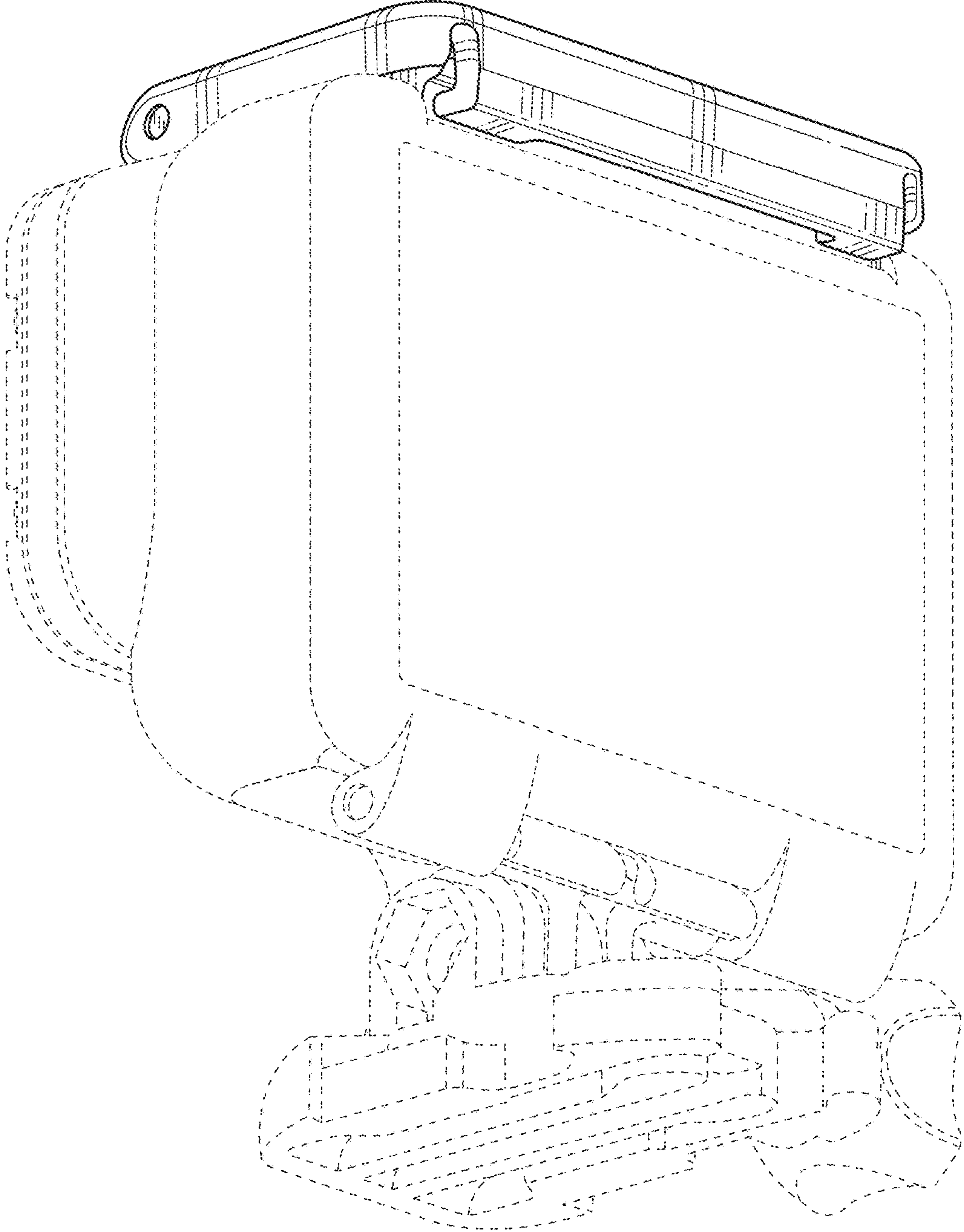


FIG. 4

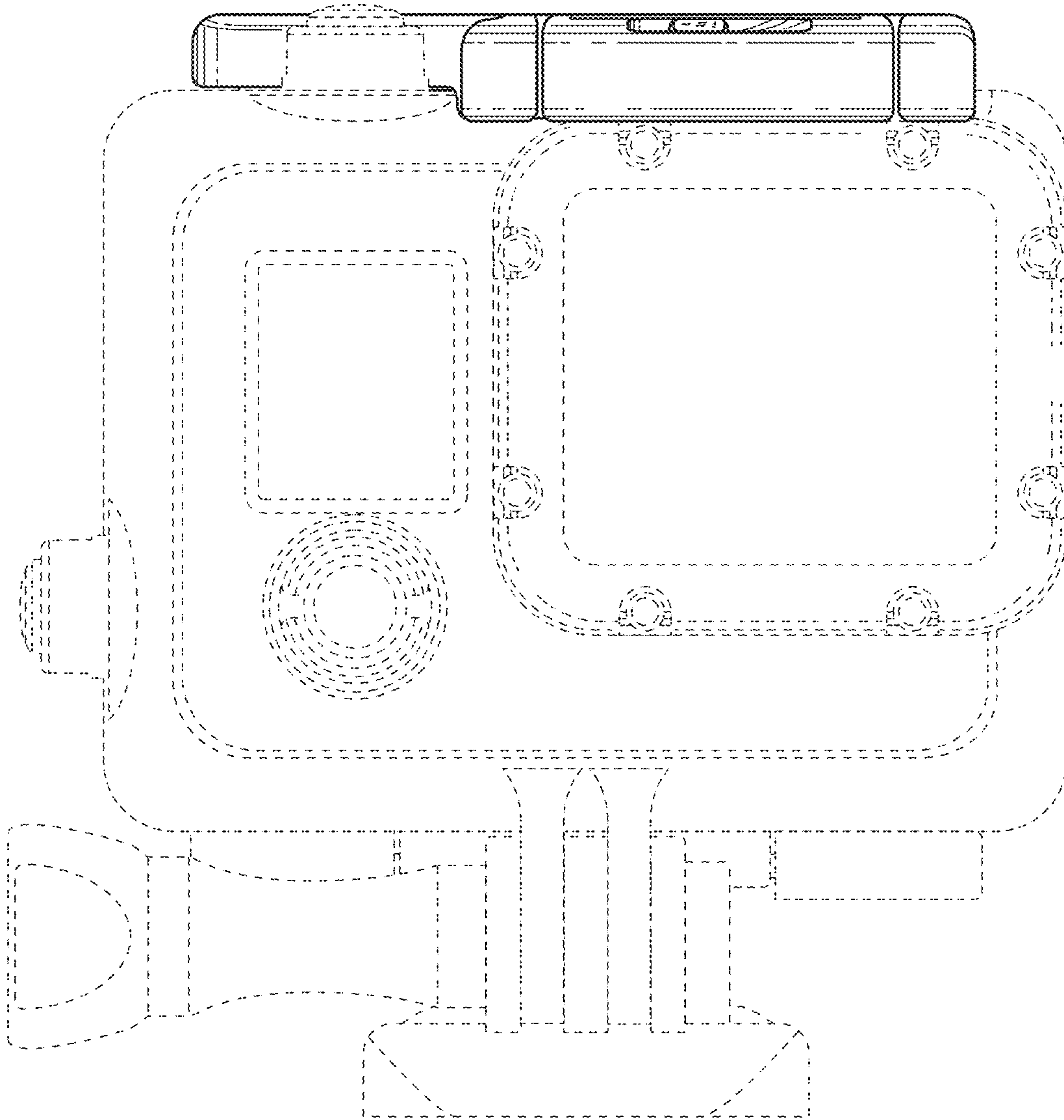


FIG. 5

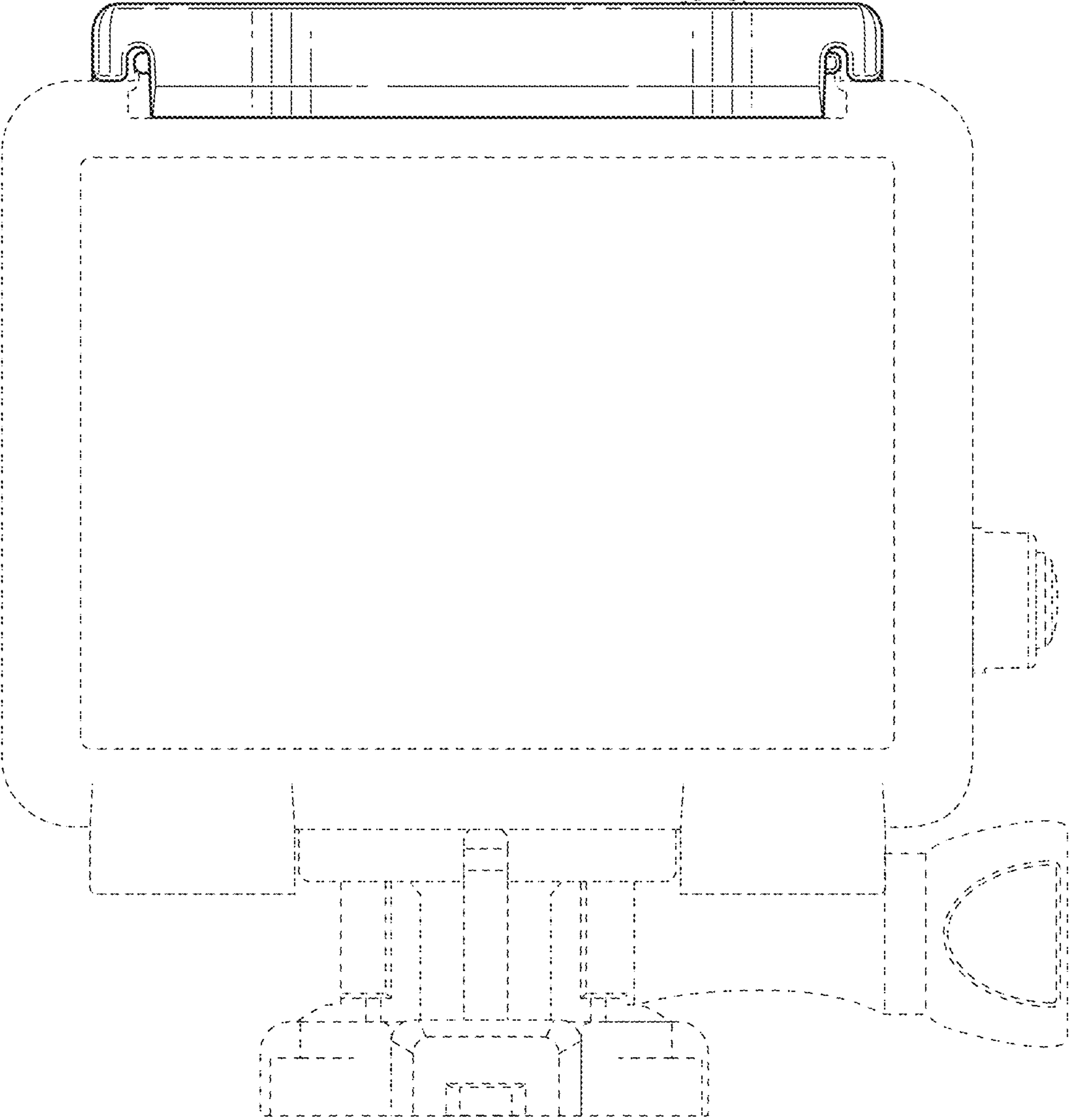


FIG. 6

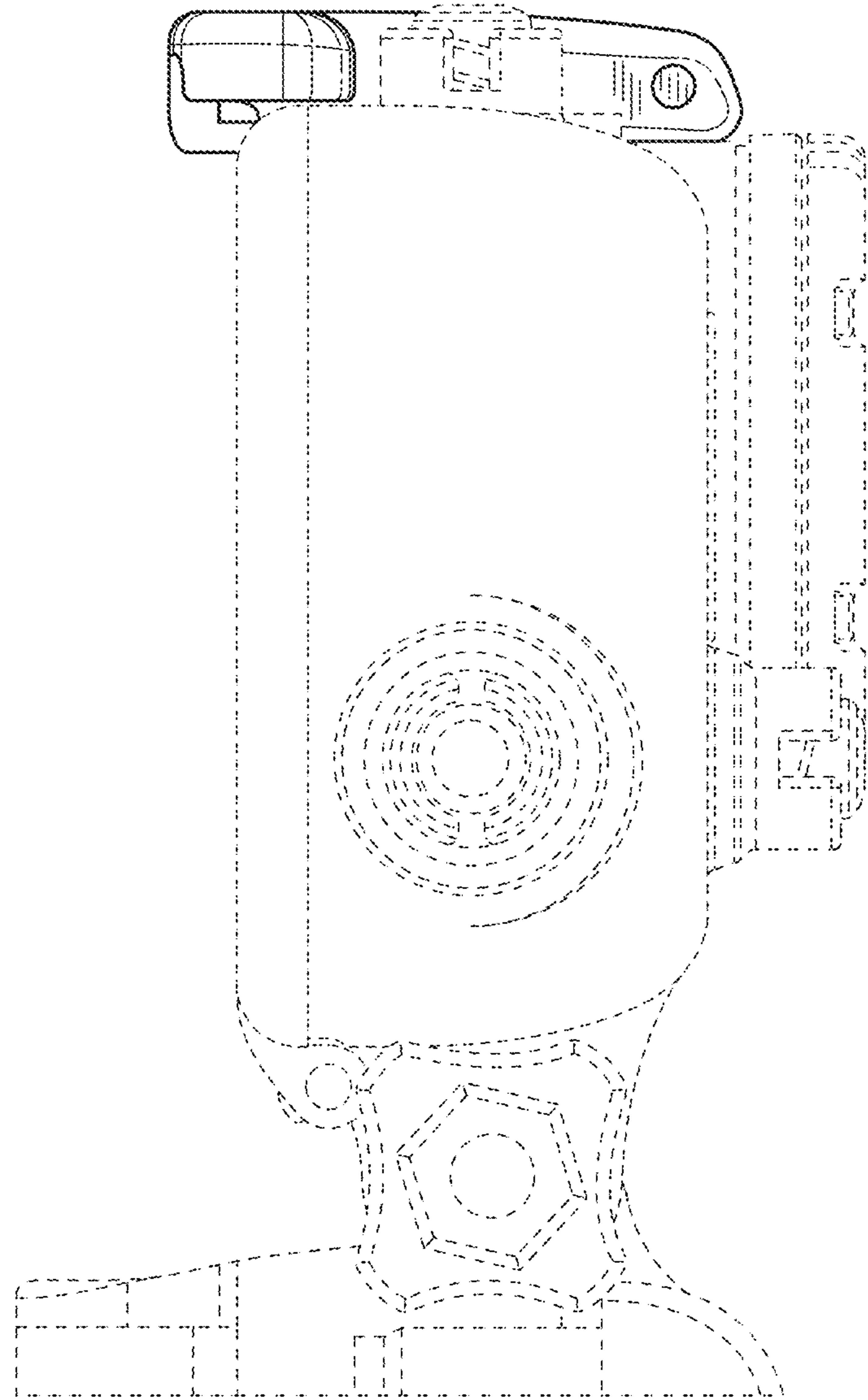


FIG. 7

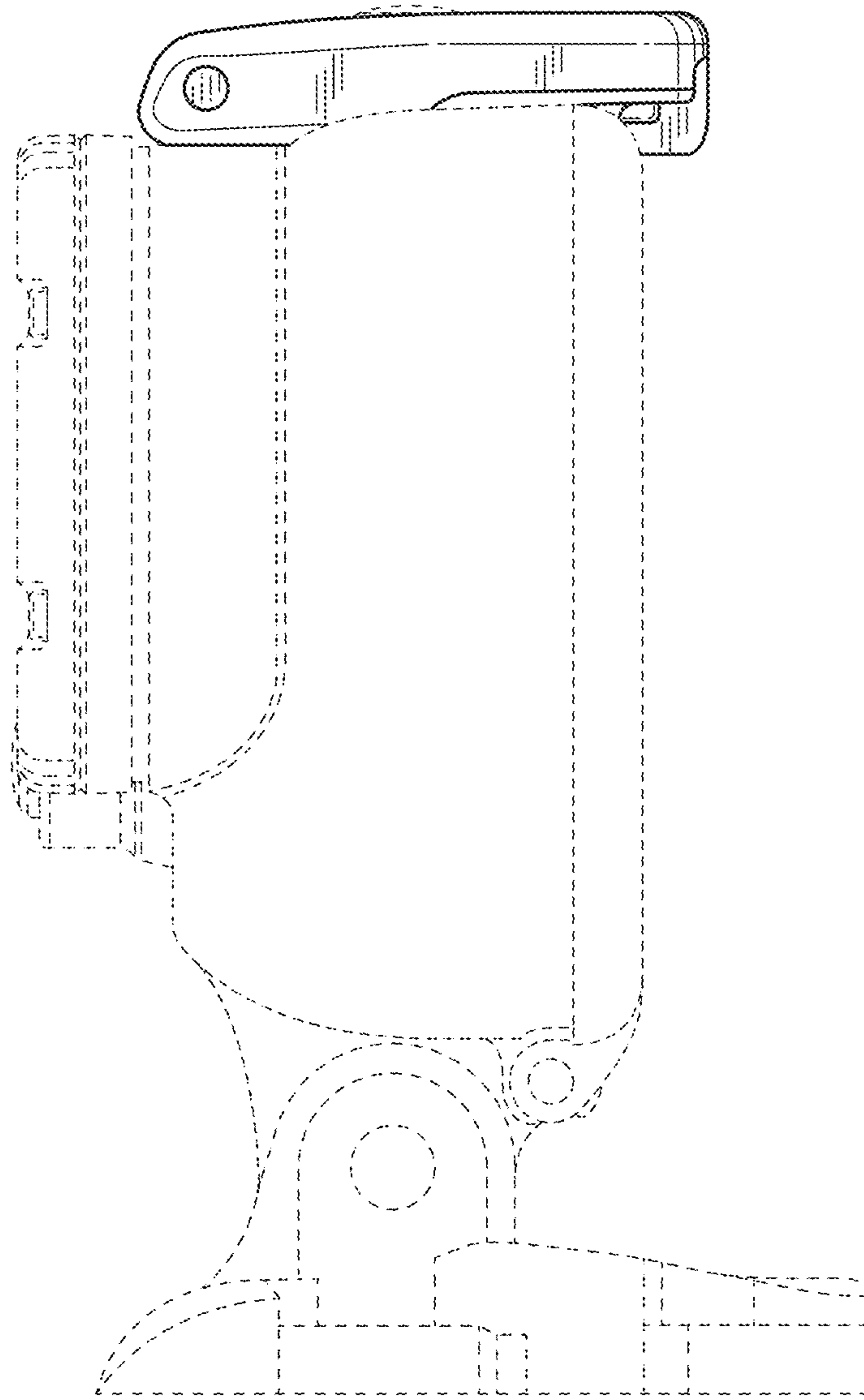


FIG. 8

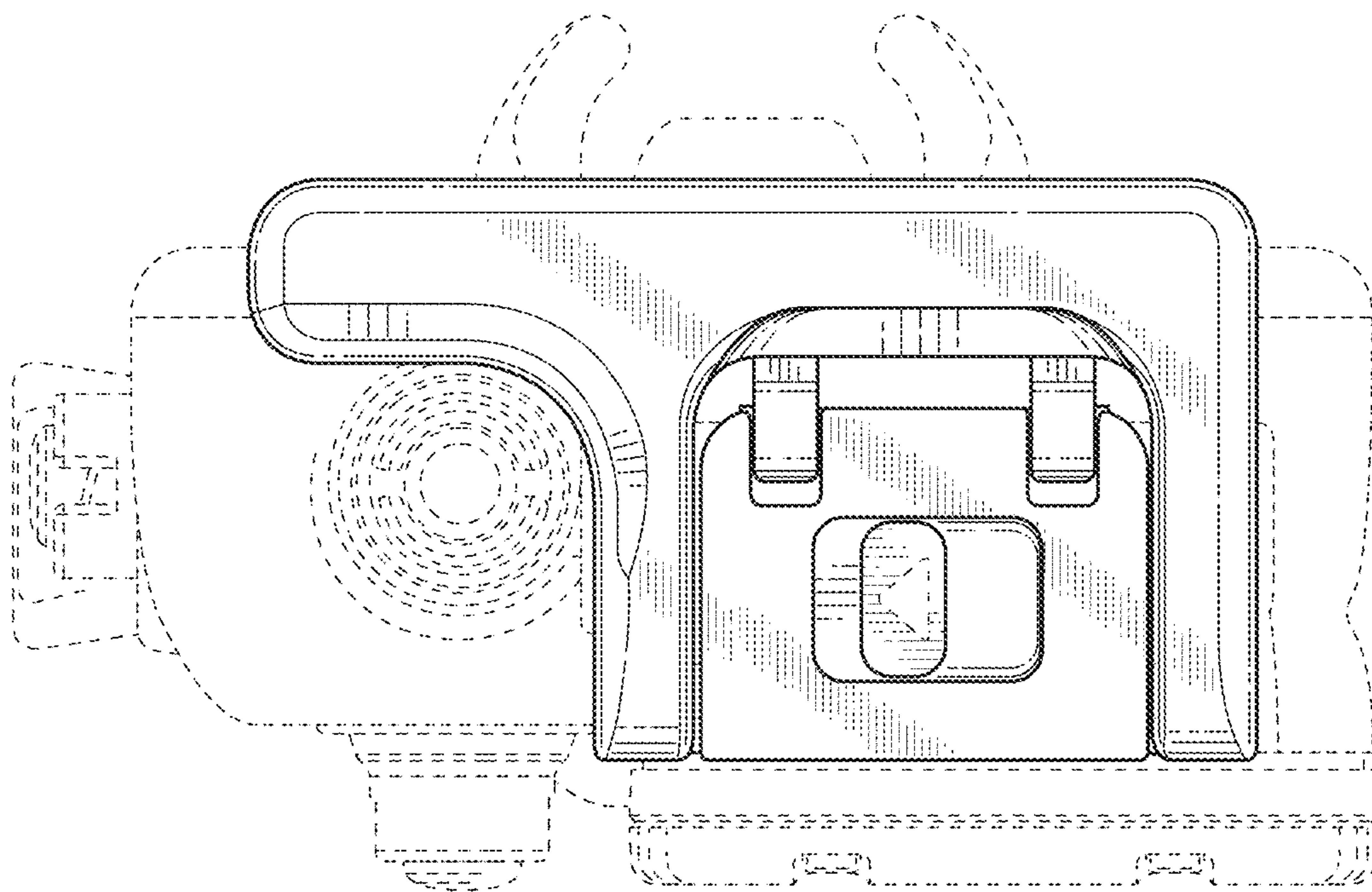


FIG. 9

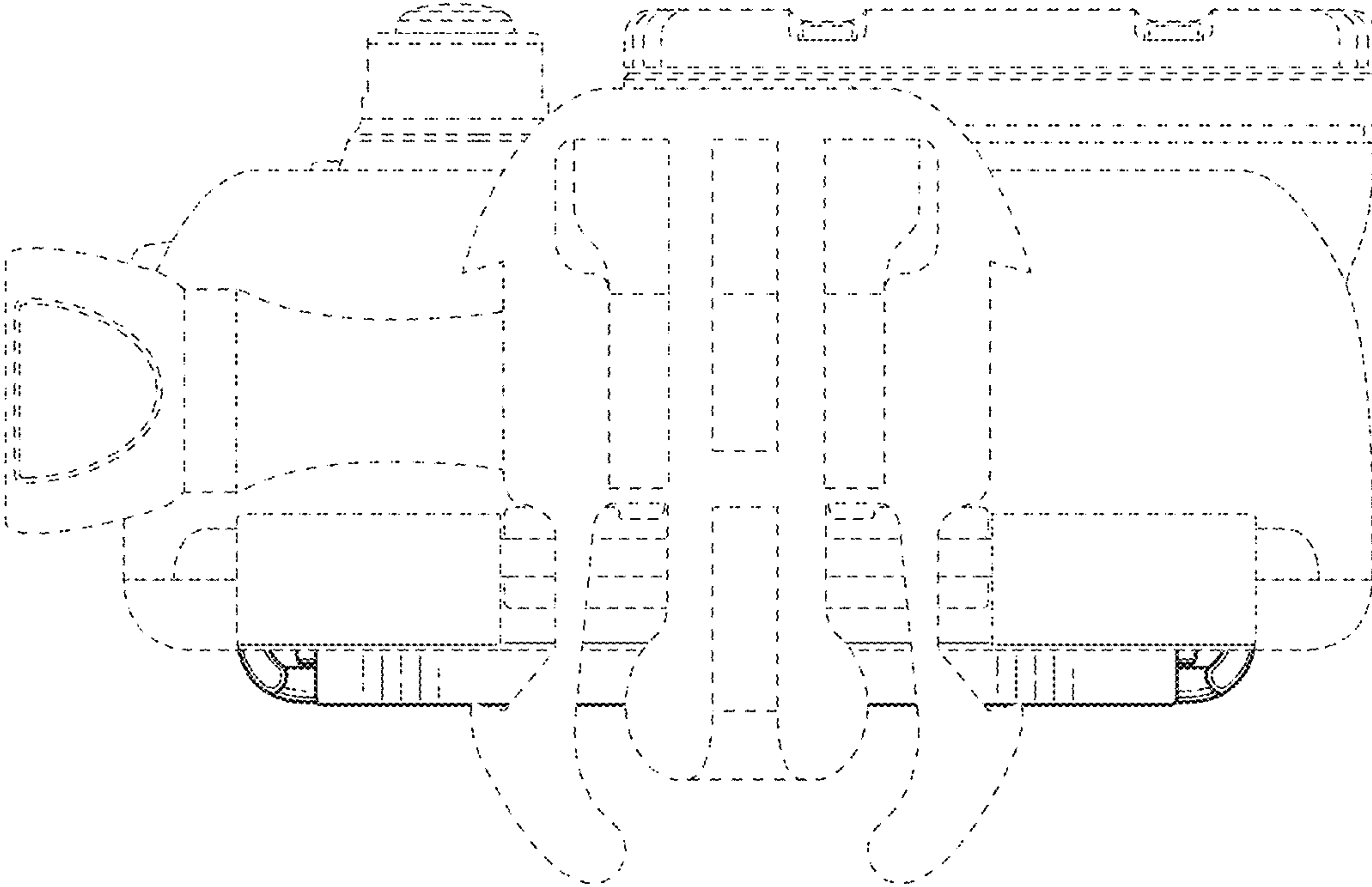


FIG. 10