



US00D800815S

(12) **United States Design Patent**
Clearman et al.

(10) **Patent No.:** **US D800,815 S**
(45) **Date of Patent:** **** Oct. 24, 2017**

(54) **CAMERA HOUSING**

(71) Applicant: **GoPro, Inc.**, San Mateo, CA (US)

(72) Inventors: **Christopher Aaron Clearman**, Half Moon Bay, CA (US); **Seung Heon Lee**, Cupertino, CA (US); **Joseph Chun**, San Francisco, CA (US)

(73) Assignee: **GoPro, Inc.**, San Mateo, CA (US)

(**) Term: **15 Years**

(21) Appl. No.: **29/586,341**

(22) Filed: **Dec. 2, 2016**

Related U.S. Application Data

(63) Continuation of application No. 29/556,096, filed on Feb. 26, 2016, now Pat. No. Des. 776,738, which is a continuation of application No. 29/526,516, filed on May 11, 2015, now Pat. No. Des. 752,672.

(51) **LOC (10) Cl.** **16-01**

(52) **U.S. Cl.**
USPC **D16/200**

(58) **Field of Classification Search**

USPC D16/200, 202–204, 208, 211, 218, 219, D16/237, 242; 248/176.1, 187.1; 348/81, 360, 373–376, 835; 396/25, 396/27–29, 419, 535, 539–541
CPC G03B 15/03; G03B 17/02; G03B 17/04; G03B 17/08; G03B 17/56; G03B 19/04; H04N 5/2251; H04N 5/2252; H04N 5/2253; H04N 5/2254; A45C 11/38
See application file for complete search history.

(56) **References Cited**

U.S. PATENT DOCUMENTS

679,881 A 6/1901 Bullard
1,612,277 A * 12/1926 Fitz G03B 21/30
352/242

4,646,141 A 2/1987 Timmermans et al.
D441,386 S 5/2001 Yamazaki
D515,121 S 2/2006 Bleau et al.
D550,741 S 9/2007 Vernon
D646,313 S 10/2011 Woodman
8,467,675 B2 6/2013 Chen et al.
D699,276 S 2/2014 Samuels et al.
D699,277 S 2/2014 Samuels et al.
8,718,457 B2 5/2014 Clark et al.
D724,637 S 3/2015 Samuels et al.
D724,638 S 3/2015 Samuels et al.
D725,169 S 3/2015 Gioscia et al.
D727,387 S 4/2015 Hasegawa et al.
D745,589 S * 12/2015 Lee D16/218
D750,687 S * 3/2016 Samuels G03B 17/02
D16/218

(Continued)

Primary Examiner — Philip S Hyder

Assistant Examiner — Ramzi Almatrahi

(74) *Attorney, Agent, or Firm* — Fenwick & West LLP

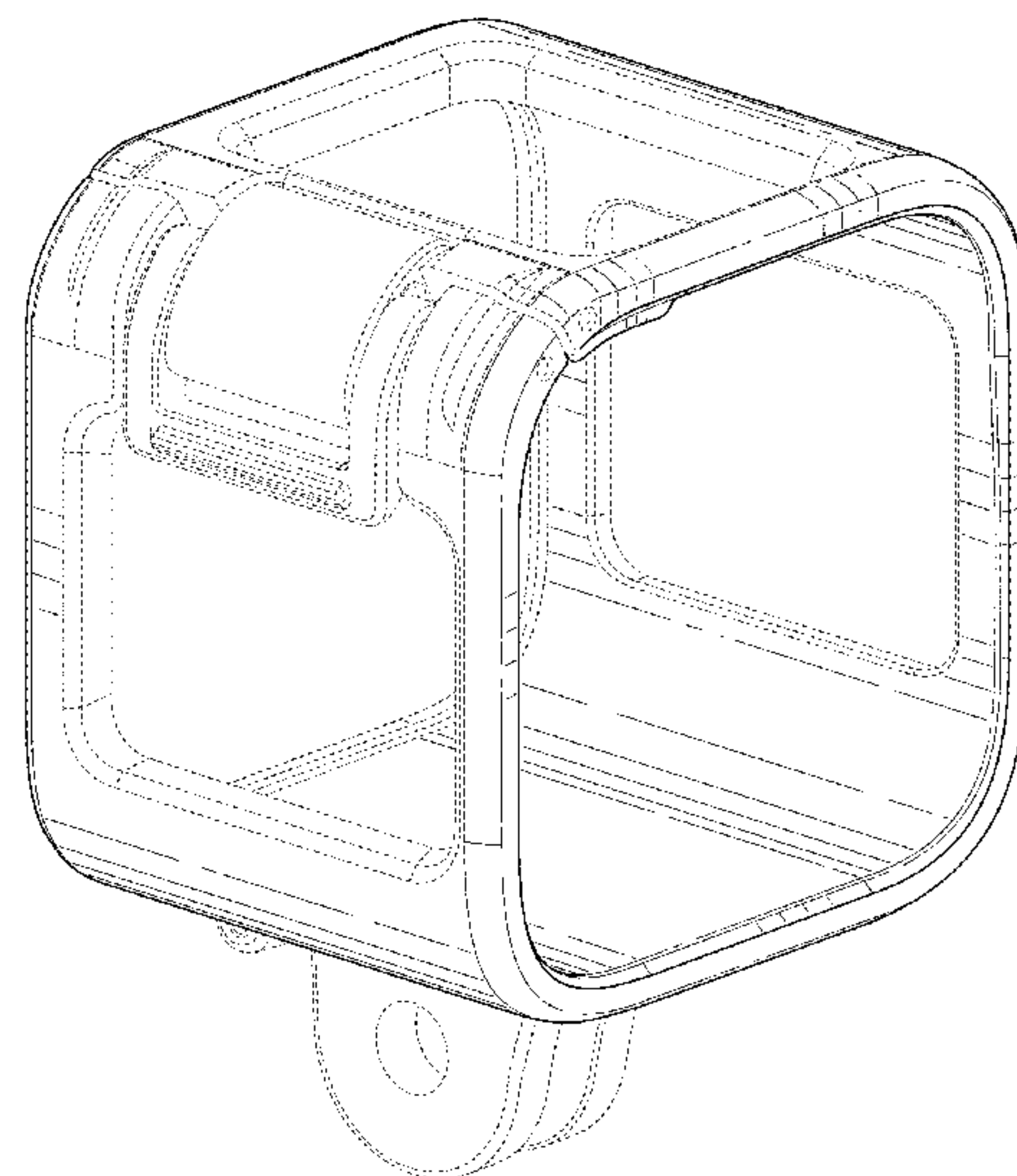
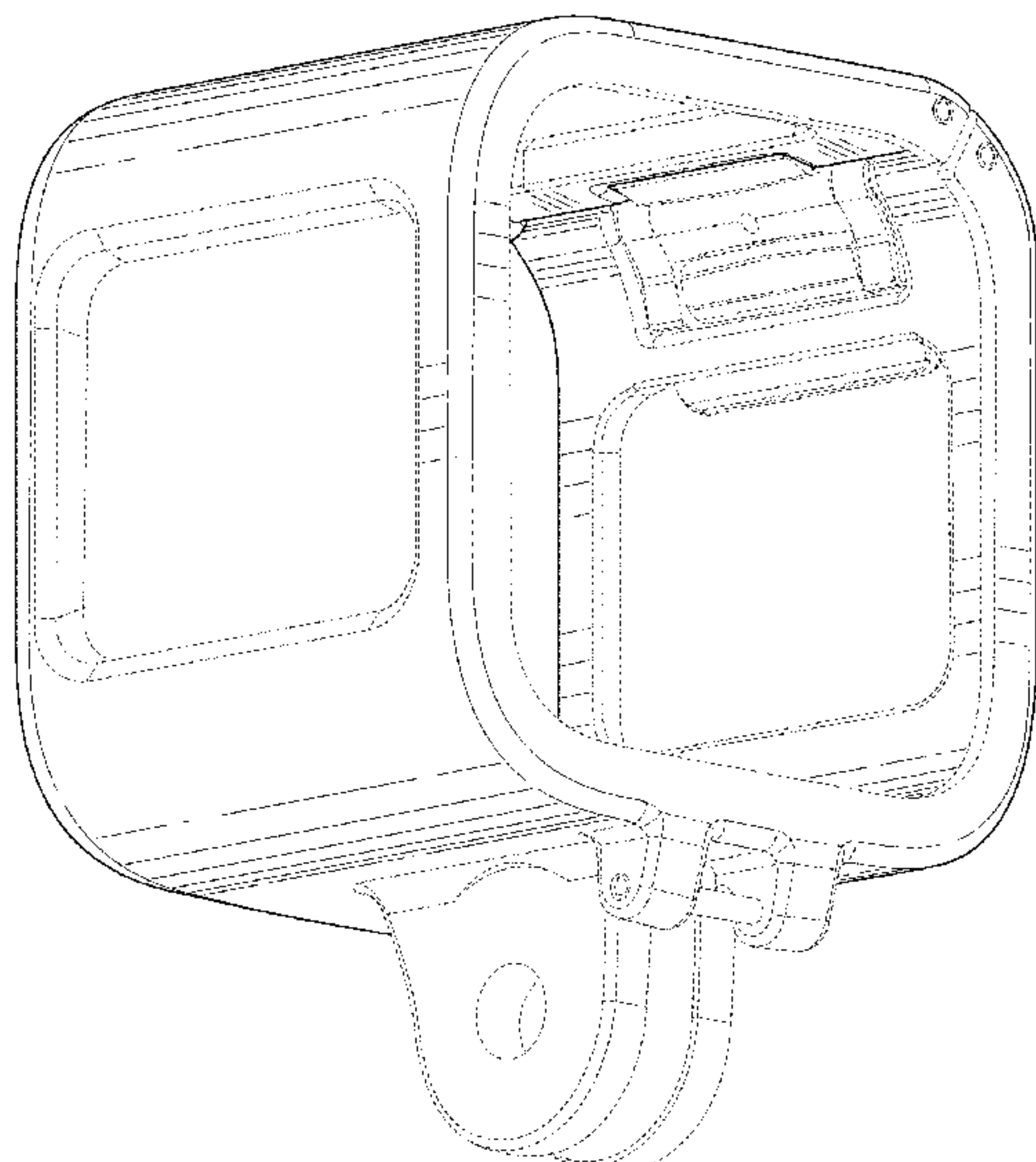
(57) **CLAIM**

The ornamental design for a camera housing, as shown and described.

DESCRIPTION

FIG. 1 is a rear, bottom, and left side perspective view of a camera housing showing our new design; FIG. 2 is a front, top, and right side perspective view thereof; FIG. 3 is a front elevational view thereof; FIG. 4 is a rear elevational view thereof; FIG. 5 is a right side elevational view thereof; FIG. 6 is a left side elevational view thereof; FIG. 7 is a top plan view thereof; and, FIG. 8 is a bottom plan view thereof. The broken lines depict portions of the camera housing in which the design is embodied that form no part of the claimed design.

1 Claim, 8 Drawing Sheets



(56)

References Cited

U.S. PATENT DOCUMENTS

D752,671 S 3/2016 Harrison et al.
9,282,226 B2 3/2016 Samuels et al.
D754,230 S * 4/2016 Mori D16/200
D759,141 S 6/2016 Bacon et al.
D760,312 S 6/2016 Lee et al.
D762,759 S 8/2016 Wu et al.
D763,941 S 8/2016 Smith
D777,239 S * 1/2017 Costa D16/242
D785,068 S * 4/2017 Patsis D16/200
9,635,226 B2 * 4/2017 Samuels G03B 17/02
D785,696 S * 5/2017 Parfitt D16/242
D785,697 S * 5/2017 Costa D16/242
2002/0046218 A1 * 4/2002 Gilbert H04N 5/232
715/203
2011/0317065 A1 * 12/2011 Lin G03B 17/02
348/373

* cited by examiner

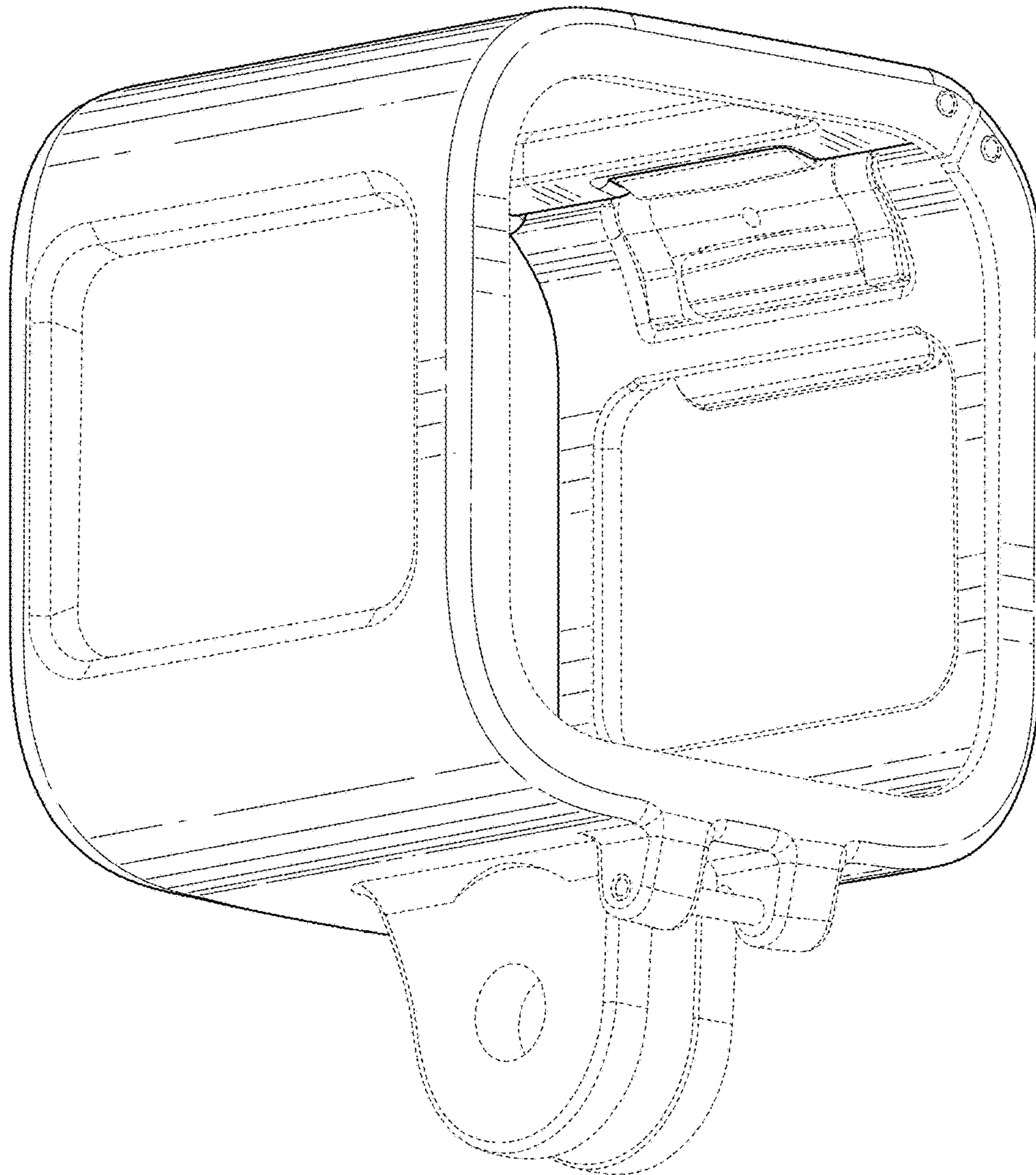


FIG. 1

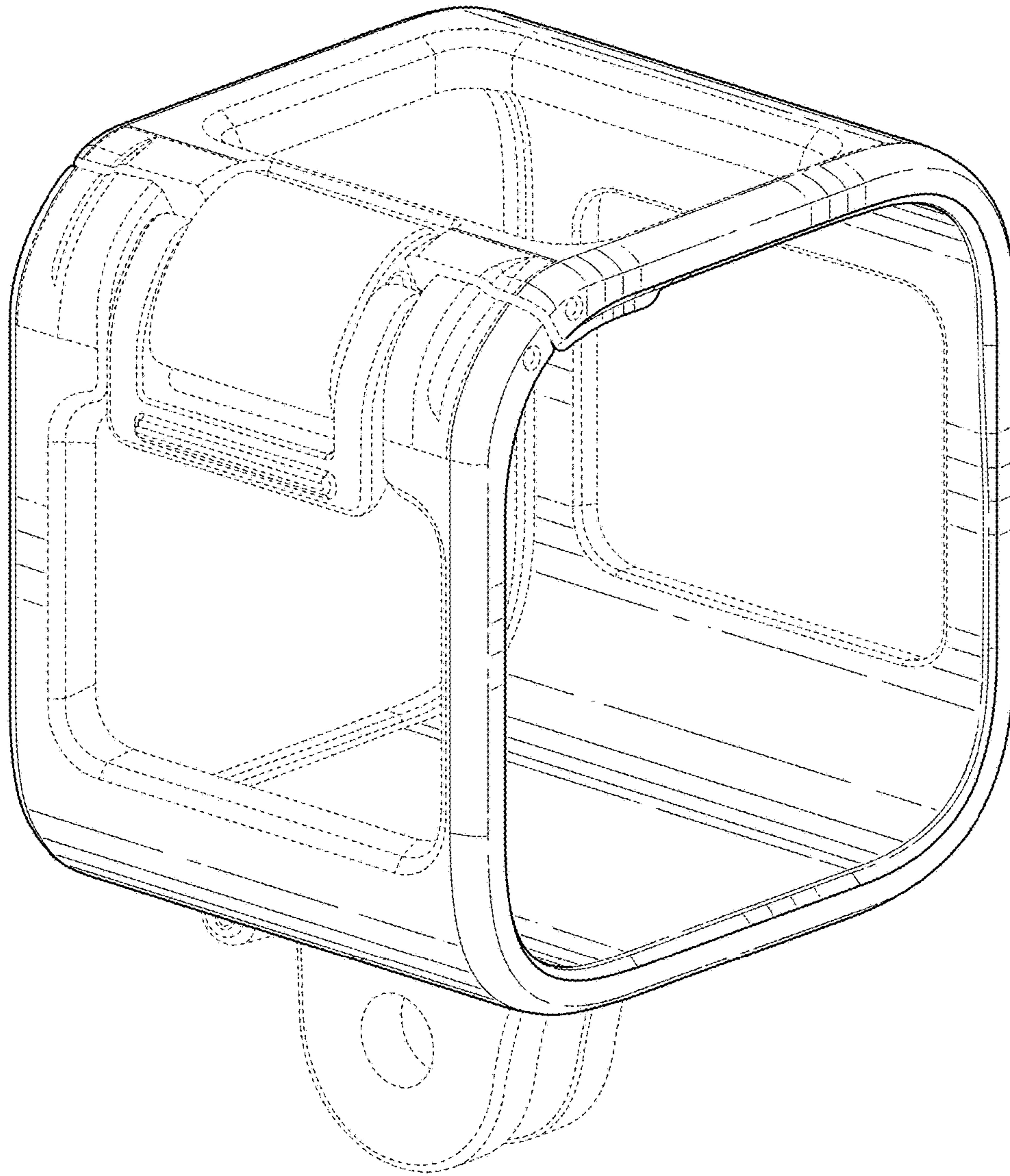


FIG. 2

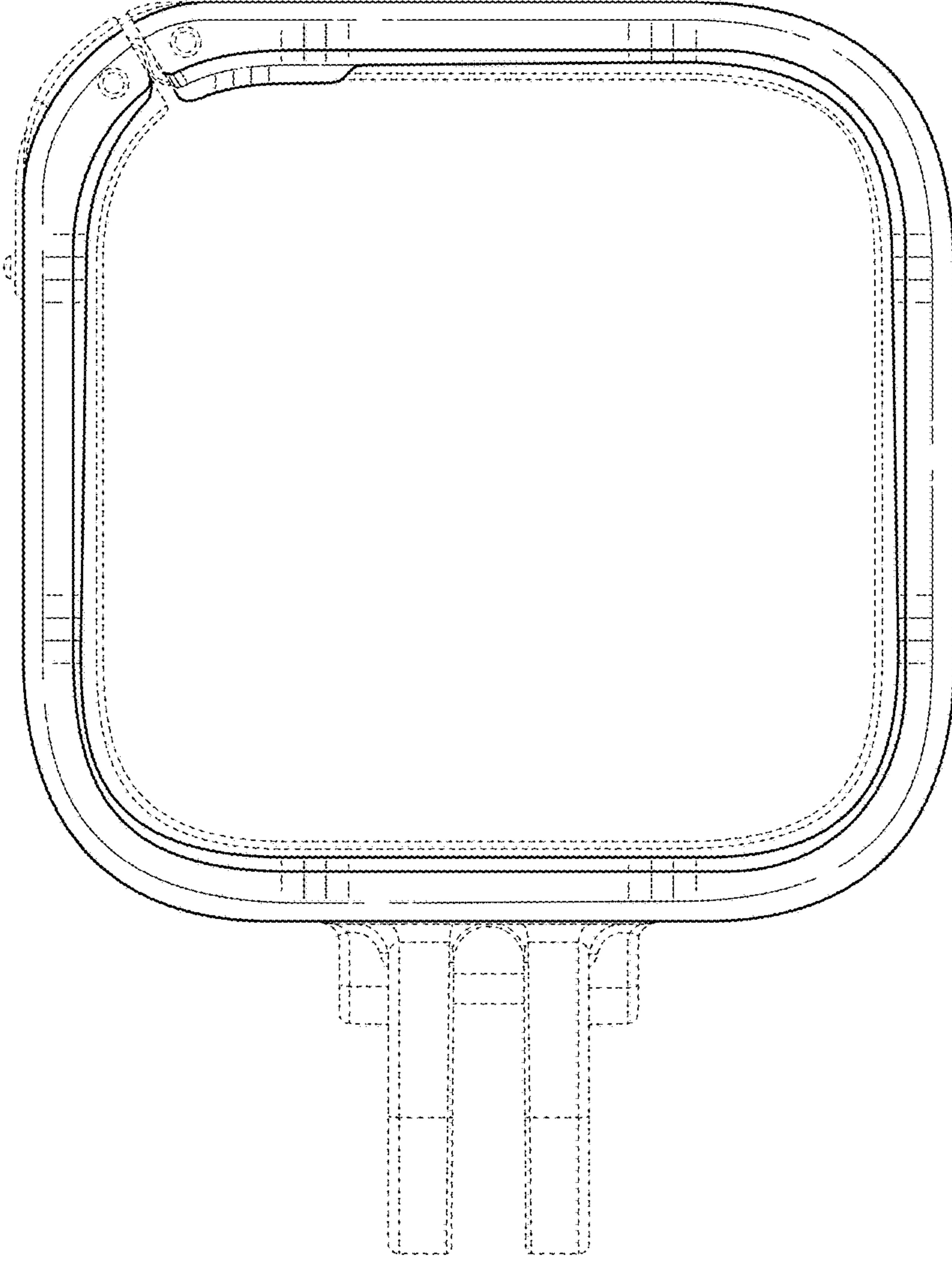


FIG. 3

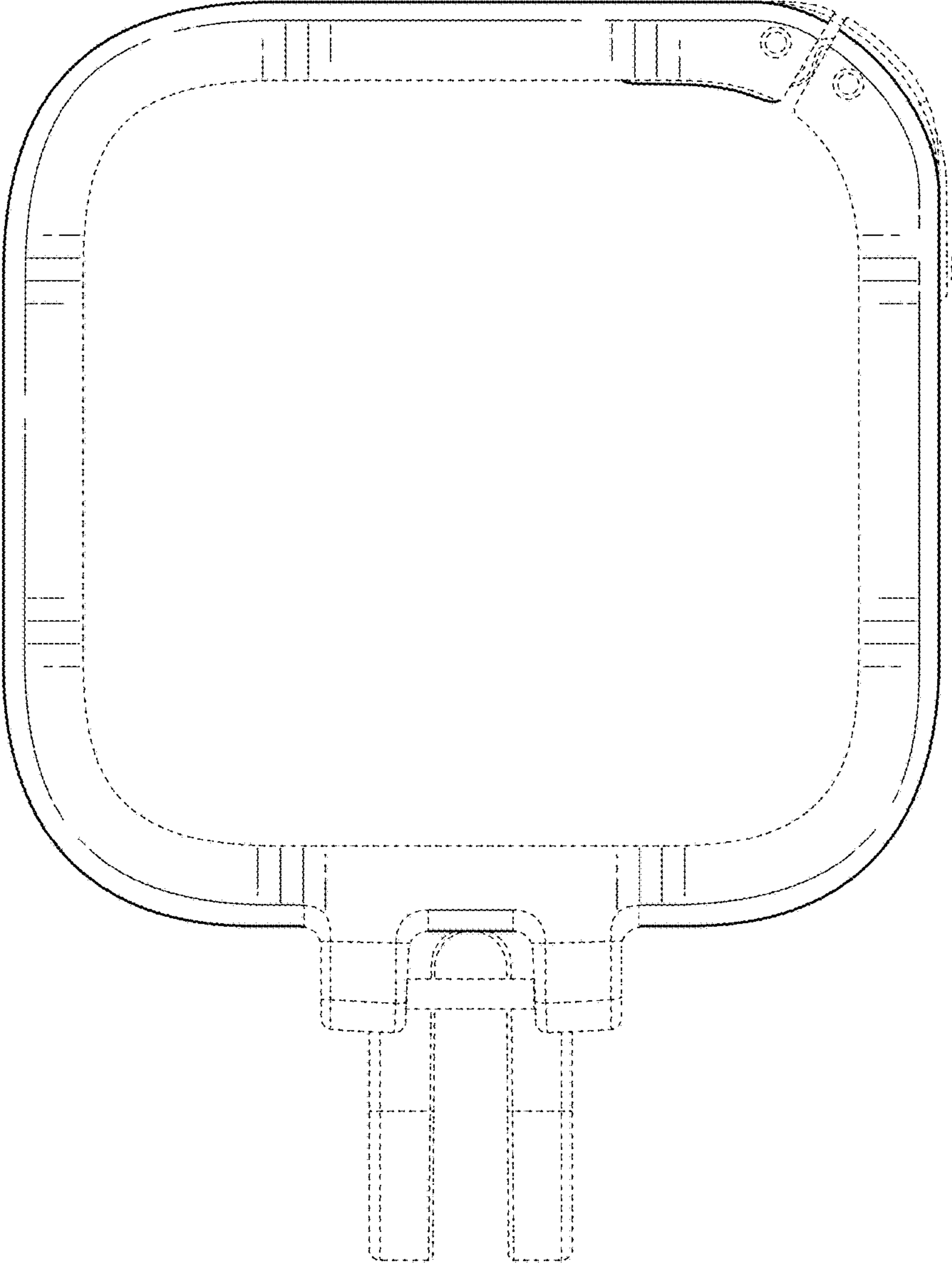


FIG. 4

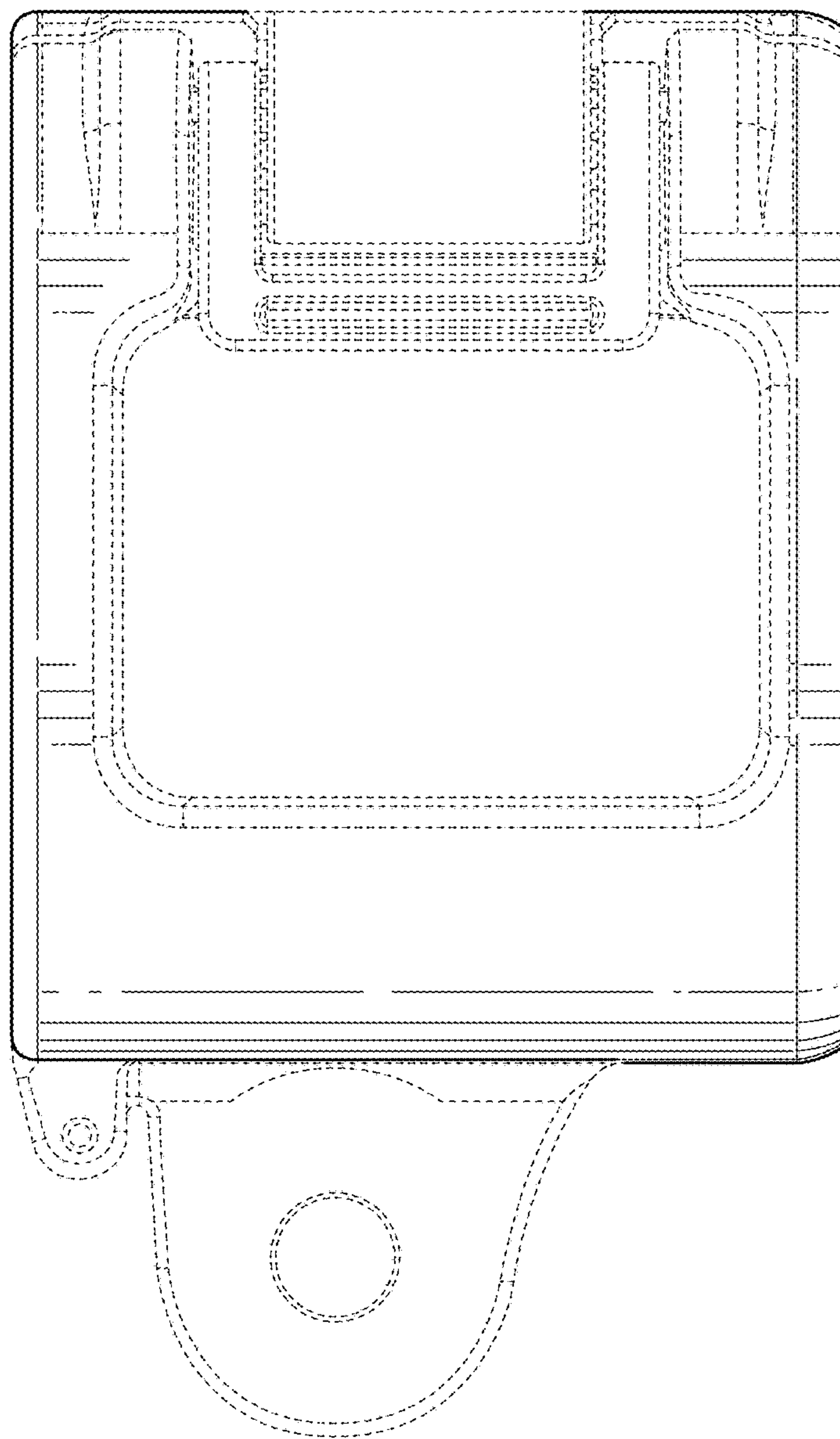


FIG. 5

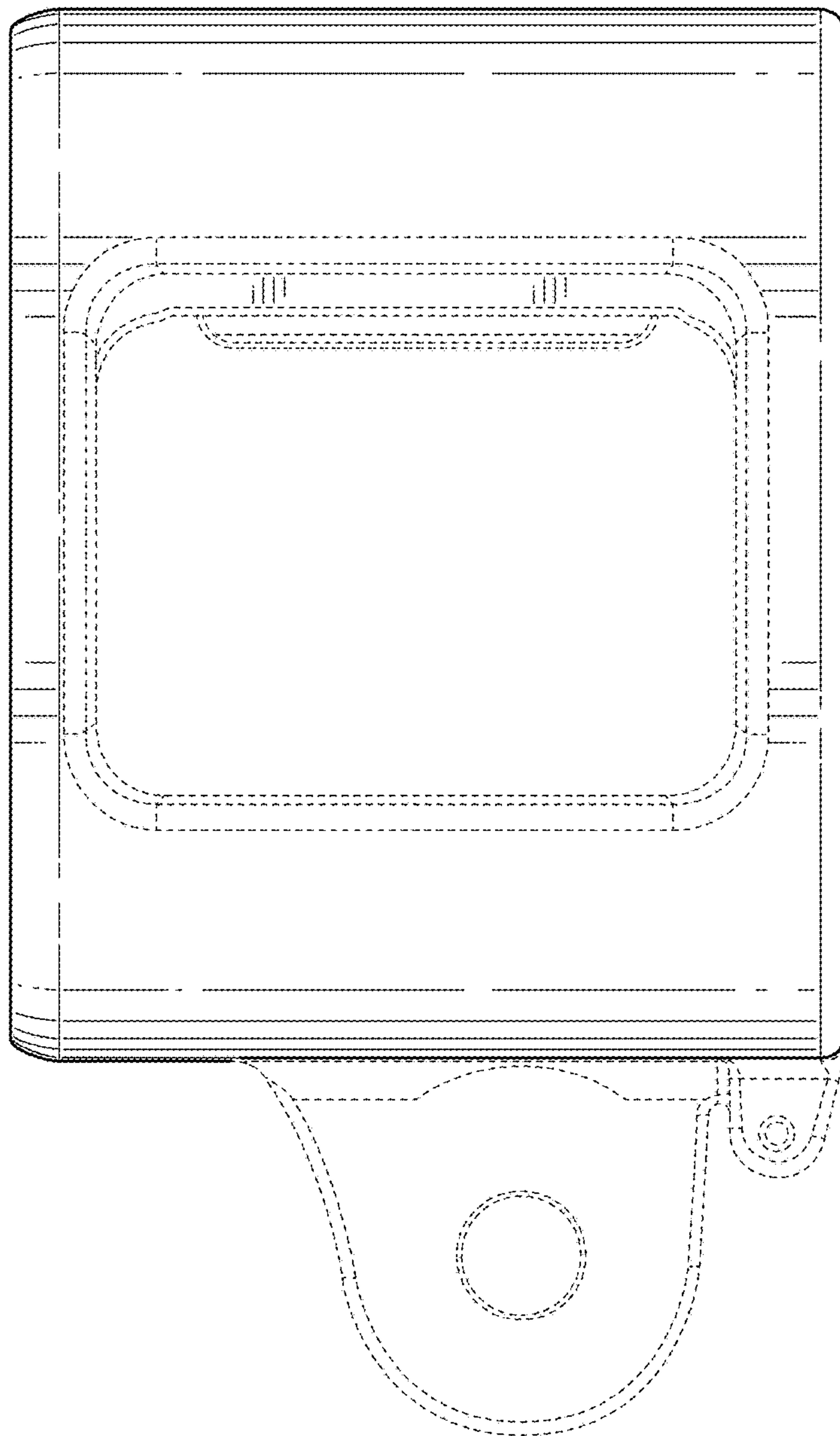


FIG. 6

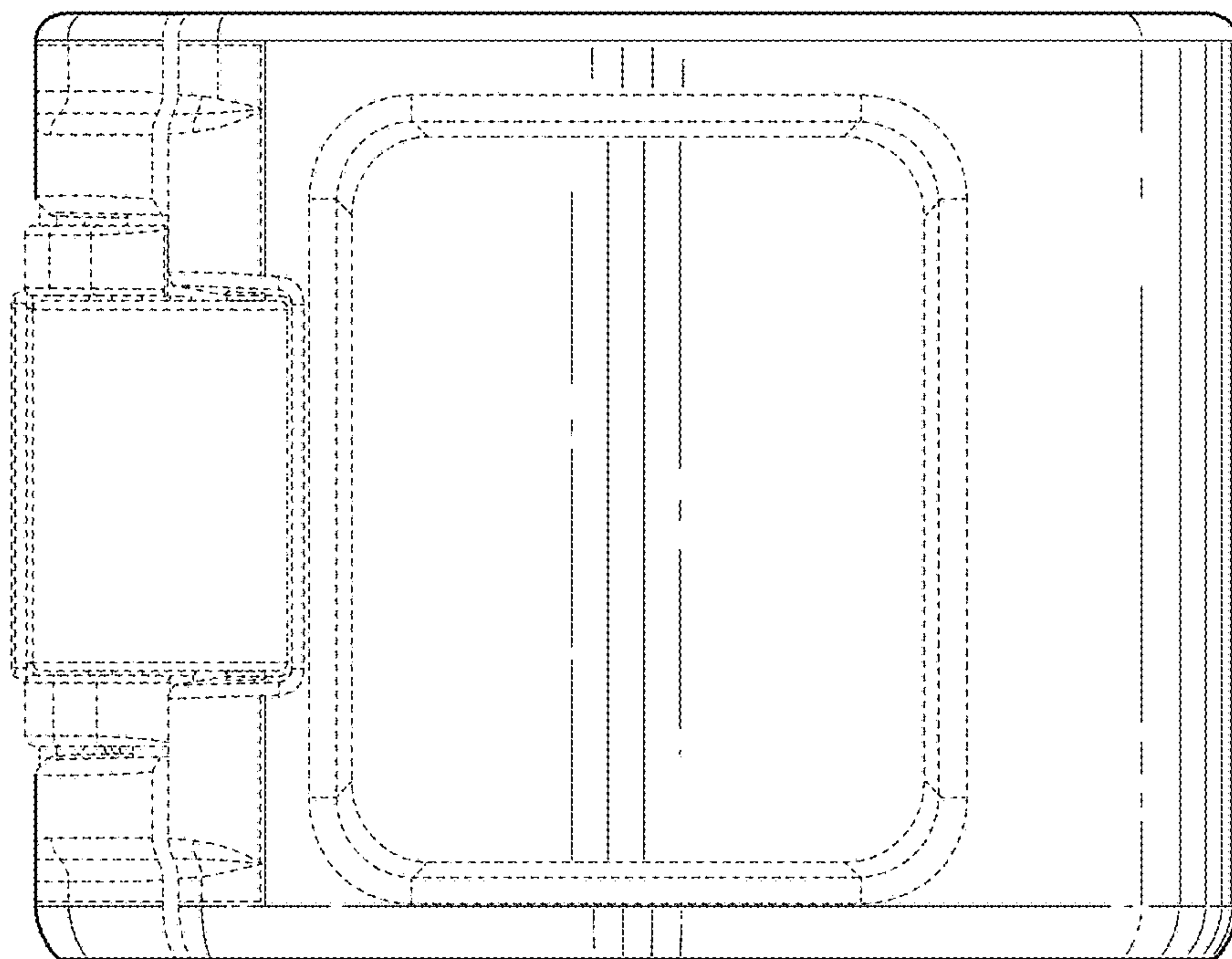


FIG. 7

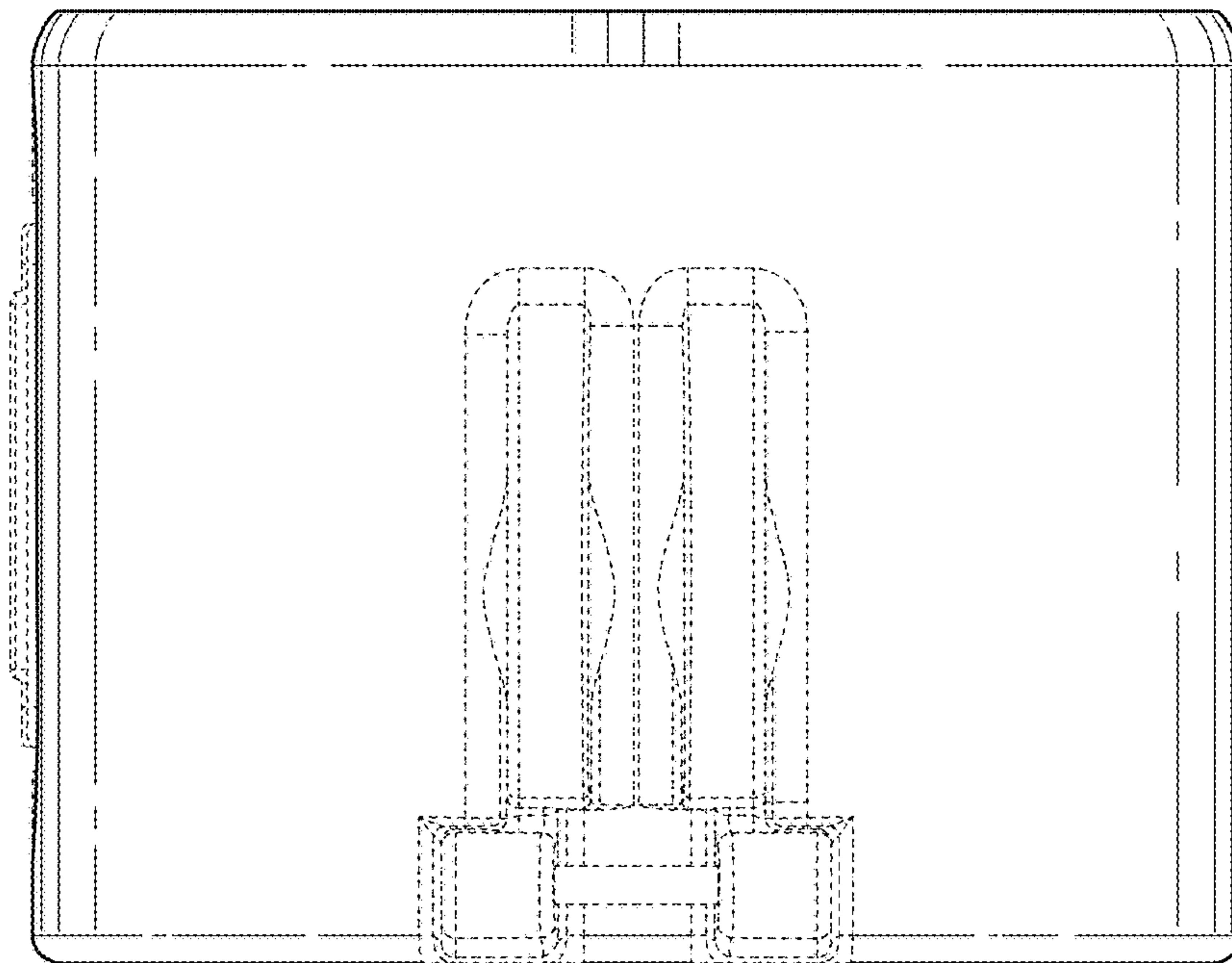


FIG. 8