



US00D800814S

(12) **United States Design Patent** (10) **Patent No.:** **US D800,814 S**
Matuschek et al. (45) **Date of Patent:** **** Oct. 24, 2017**

(54) **MOUNT FOR SURGICAL MICROSCOPE**

(74) *Attorney, Agent, or Firm* — Walter Ottesen, P.A.

(71) Applicant: **Carl Zeiss Meditec AG**, Jena (DE)

(57) **CLAIM**

(72) Inventors: **Walter Matuschek**, Aalen (DE);
Zhenhua Chu, Suzhou (CN);
Shuanghu Zhang, Suzhou (CN)

The ornamental design for a mount for a surgical microscope, as shown and described.

(73) Assignee: **Carl Zeiss Meditec AG**, Jena (DE)

DESCRIPTION

(**) Term: **15 Years**

(21) Appl. No.: **29/527,335**

(22) Filed: **May 18, 2015**

(30) **Foreign Application Priority Data**

Nov. 19, 2014 (CN) 2014 3 0456635

(51) **LOC (10) Cl.** **16-06**

(52) **U.S. Cl.**
USPC **D16/131**

(58) **Field of Classification Search**

USPC 248/123.2, 292.11, 281.11, 280.11;
359/382, 384, 388, 362, 363, 368, 372;
D16/130-136, 214, 239, 318, 334
See application file for complete search history.

(56) **References Cited**

U.S. PATENT DOCUMENTS

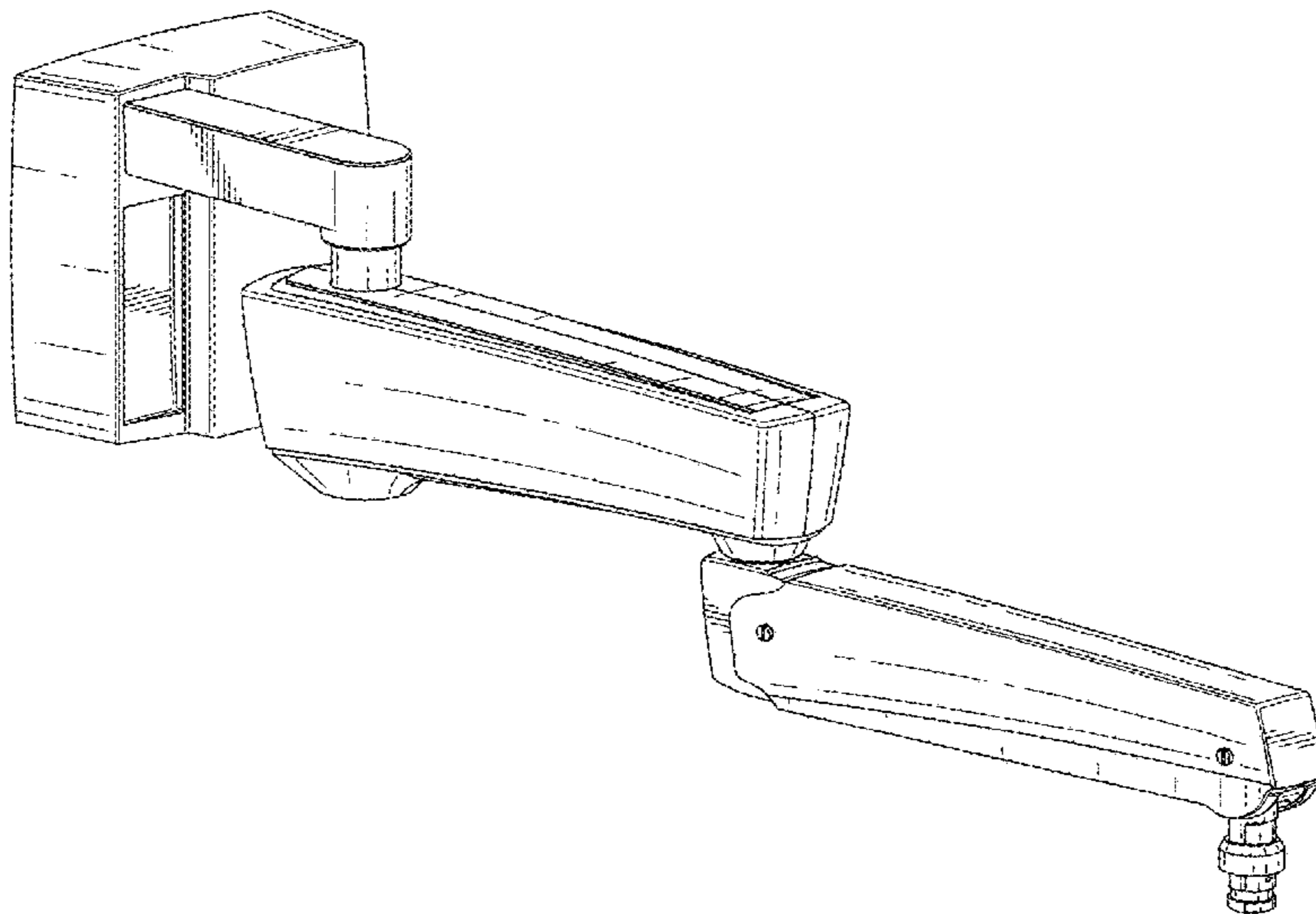
D328,088 S *	7/1992	Horino	D16/239
5,173,802 A *	12/1992	Heller	F16M 11/08
				359/384
D342,272 S *	12/1993	Saito	D14/423
5,288,043 A *	2/1994	Tigliev	F16L 3/00
				248/123.11

(Continued)

Primary Examiner — Susan Bennett Hattan
Assistant Examiner — Jennifer Wright

FIG. 1 is a left side elevation view of a mount for a surgical microscope of our new design;
 FIG. 2 is a right side elevation view of the mount for a surgical microscope of FIG. 1;
 FIG. 3 is a top plan view of the mount for the surgical microscope of FIG. 1;
 FIG. 4 is a bottom plan view of the mount for the surgical microscope of FIG. 1;
 FIG. 5 is a rear elevation view of the mount for the surgical microscope of FIG. 1;
 FIG. 6 is a front elevation view of the mount for the surgical microscope of FIG. 1;
 FIG. 7 is a perspective view of the mount for the surgical microscope of FIG. 1;
 FIG. 8 is a left side elevation view of a second embodiment of a mount for a surgical microscope of our new design;
 FIG. 9 is a right side elevation view of the mount for the surgical microscope of FIG. 8;
 FIG. 10 is a top plan view of the mount for the surgical microscope of FIG. 8;
 FIG. 11 is a bottom plan view of the mount for the surgical microscope of FIG. 8;
 FIG. 12 is a rear elevation view of the mount for the surgical microscope of FIG. 8;
 FIG. 13 is a front elevation view of the mount for the surgical microscope of FIG. 8; and,
 FIG. 14 is a perspective view of the mount for the surgical microscope of FIG. 8.
 The broken lines in FIGS. 2, 4, 9, 11 and 12 depict parts of the mount for a surgical microscope that form no part of the claimed design.

1 Claim, 12 Drawing Sheets



(56)

References Cited

U.S. PATENT DOCUMENTS

5,332,181	A *	7/1994	Schweizer	A61B 6/4405 248/123.11
6,254,046	B1 *	7/2001	Biber	F16M 11/045 248/287.1
D506,257	S *	6/2005	Smith	D24/172
7,159,831	B2 *	1/2007	Gartner	F16M 11/043 248/274.1
D649,992	S *	12/2011	Nusser	D16/131
D650,405	S *	12/2011	Nusser	D16/131
8,830,572	B2 *	9/2014	Graber	G02B 7/001 248/123.11
D746,893	S *	1/2016	Dong	D16/135
9,392,931	B2 *	7/2016	Urban	A61B 34/30
2002/0106137	A1 *	8/2002	Chen	H04N 1/195 382/321

* cited by examiner

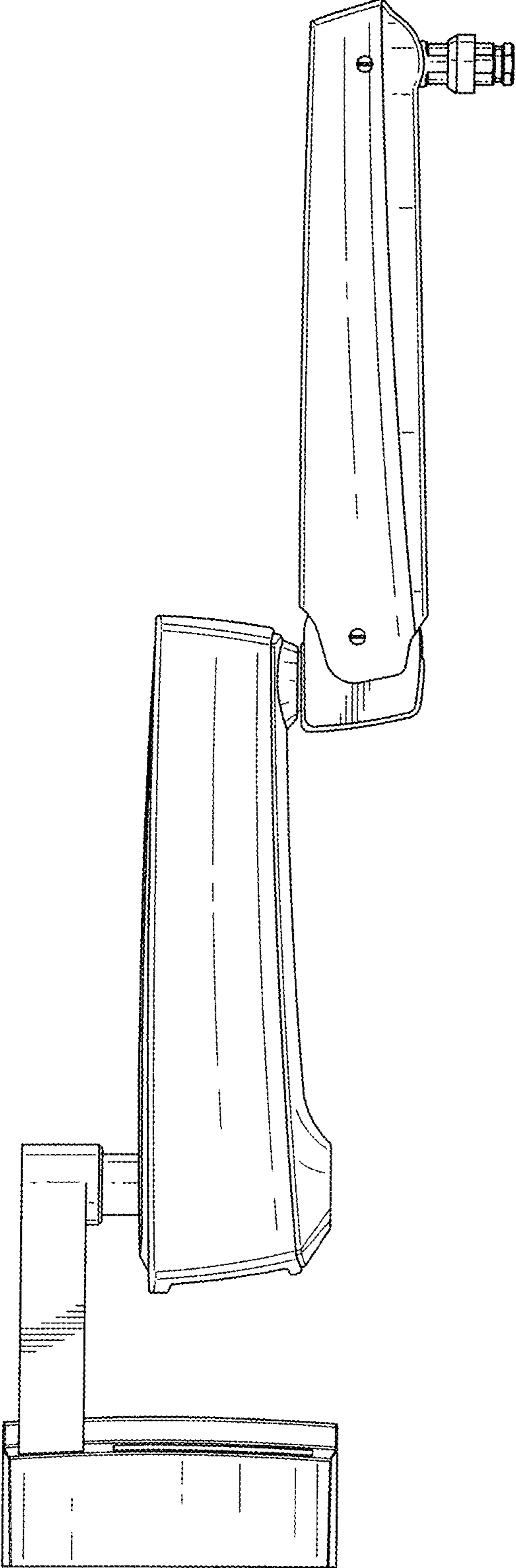


FIG. 1

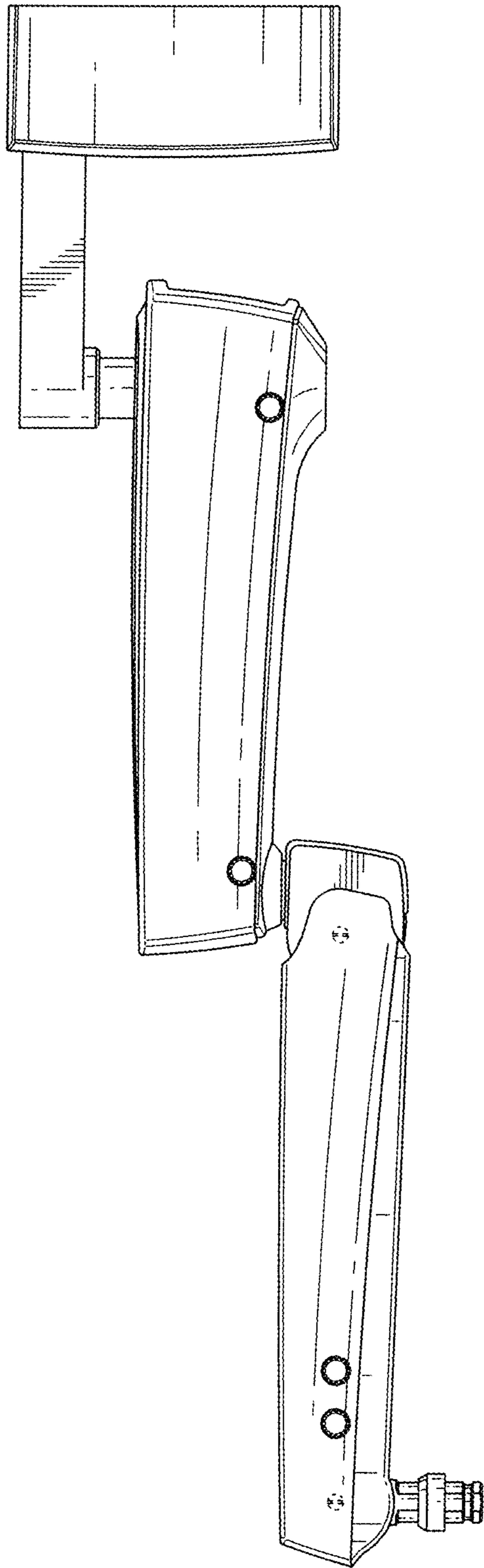


FIG. 2

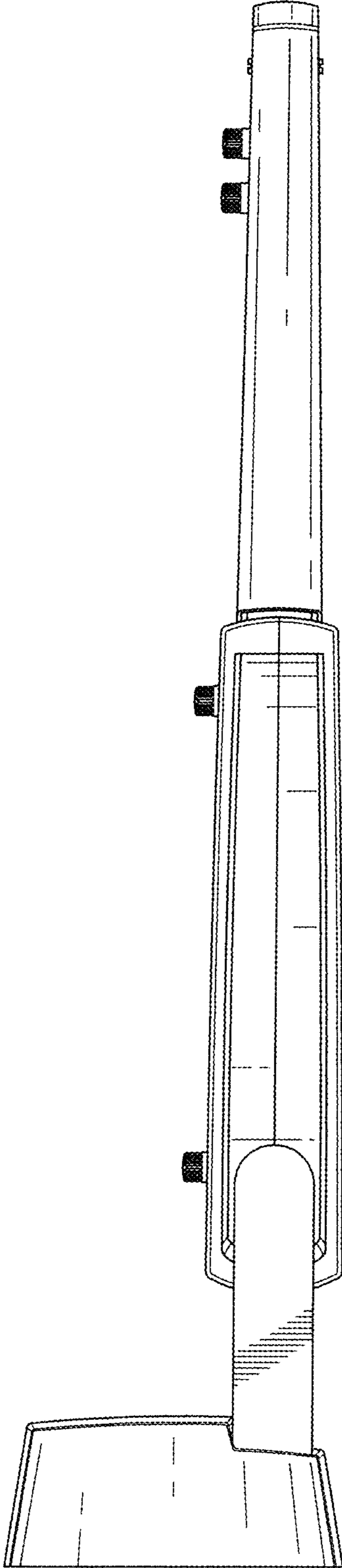


FIG. 3

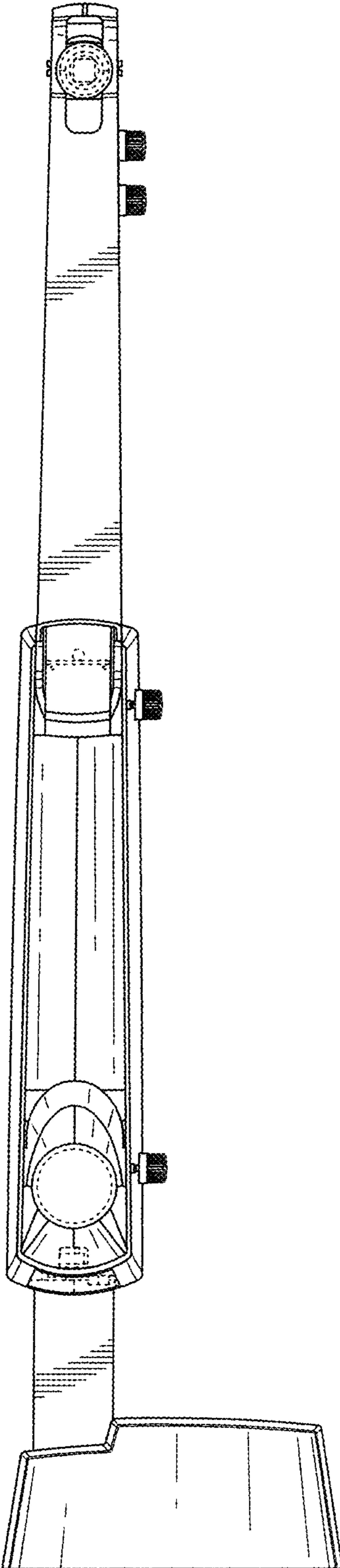


FIG. 4

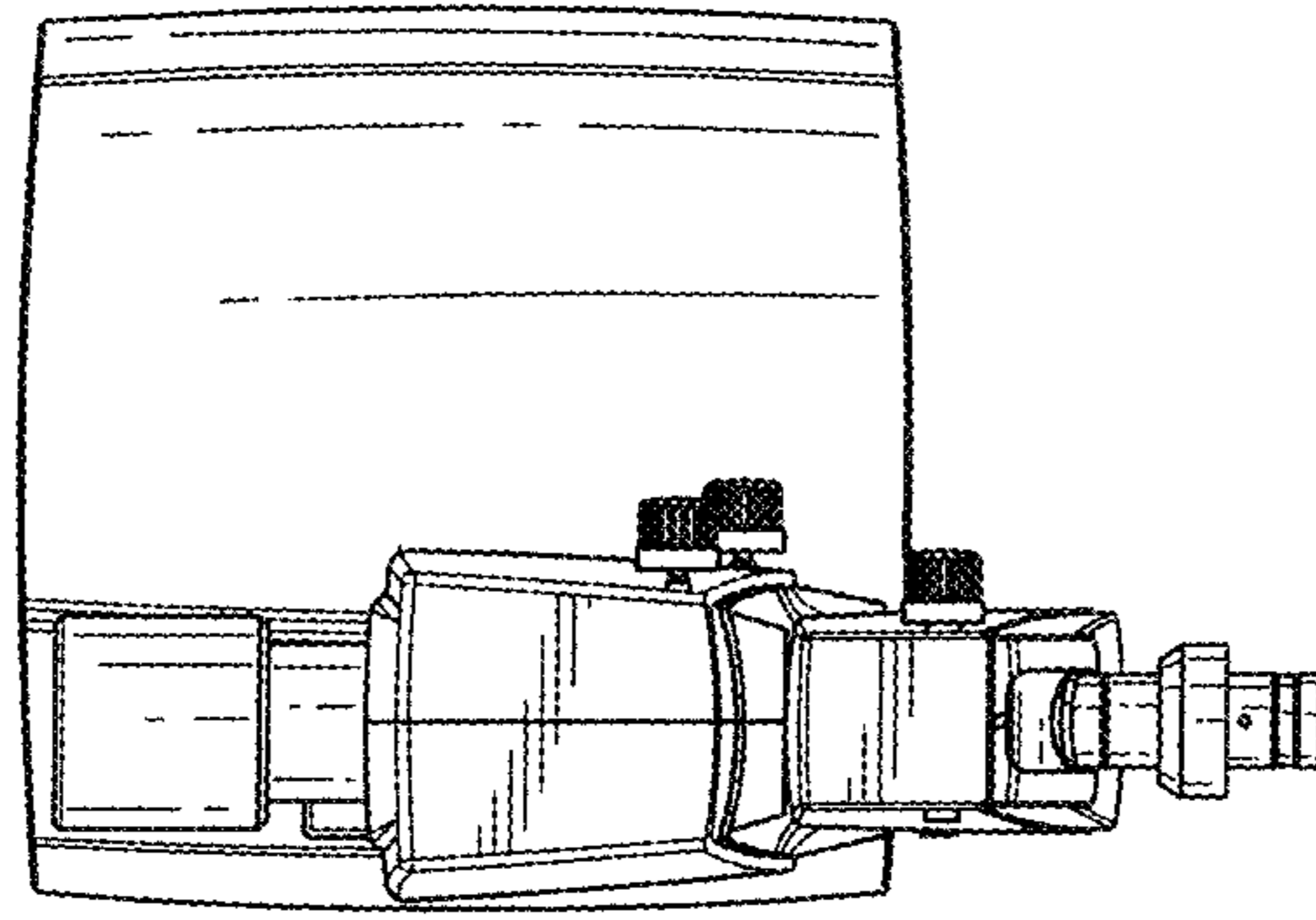


FIG. 6

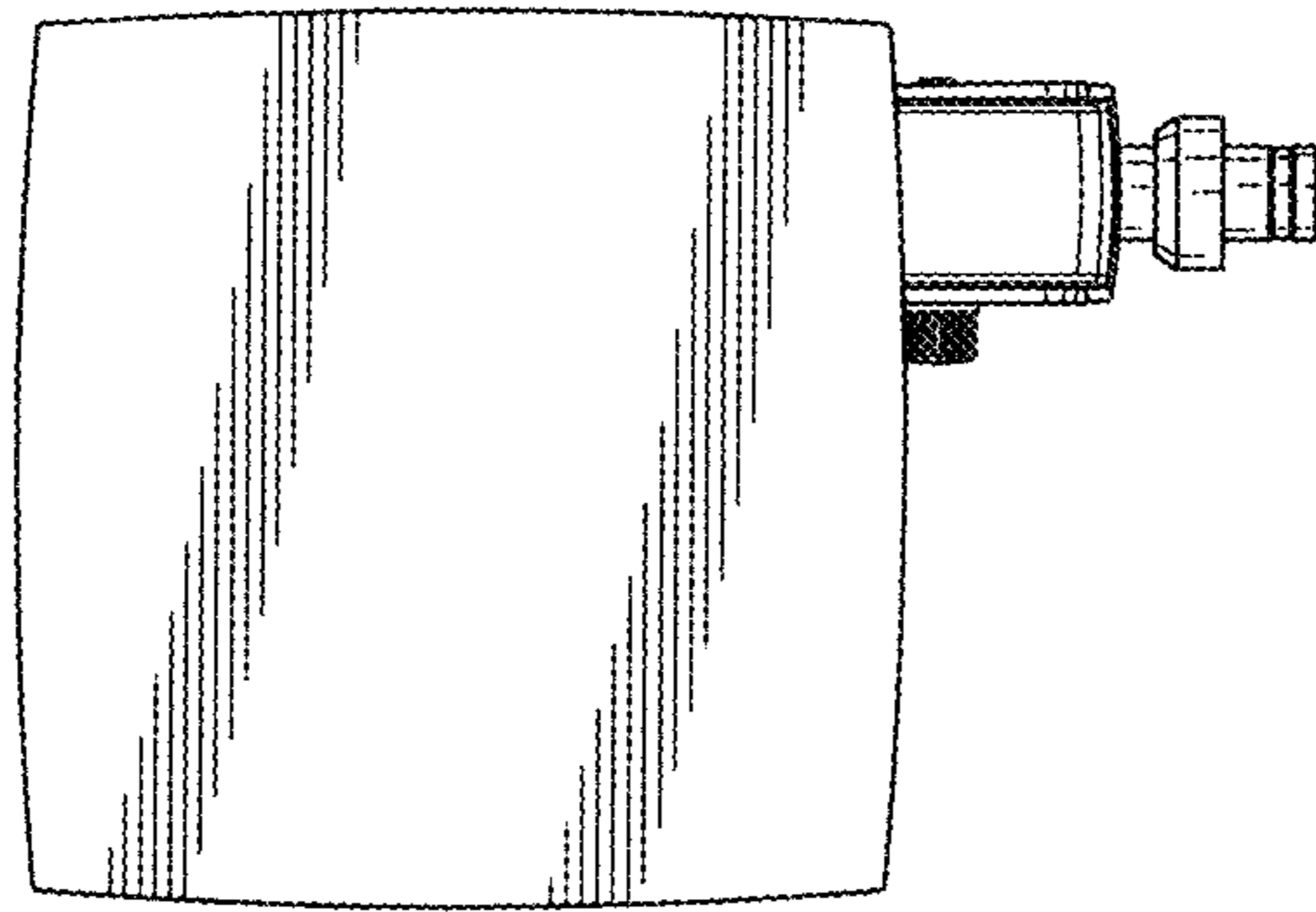


FIG. 5

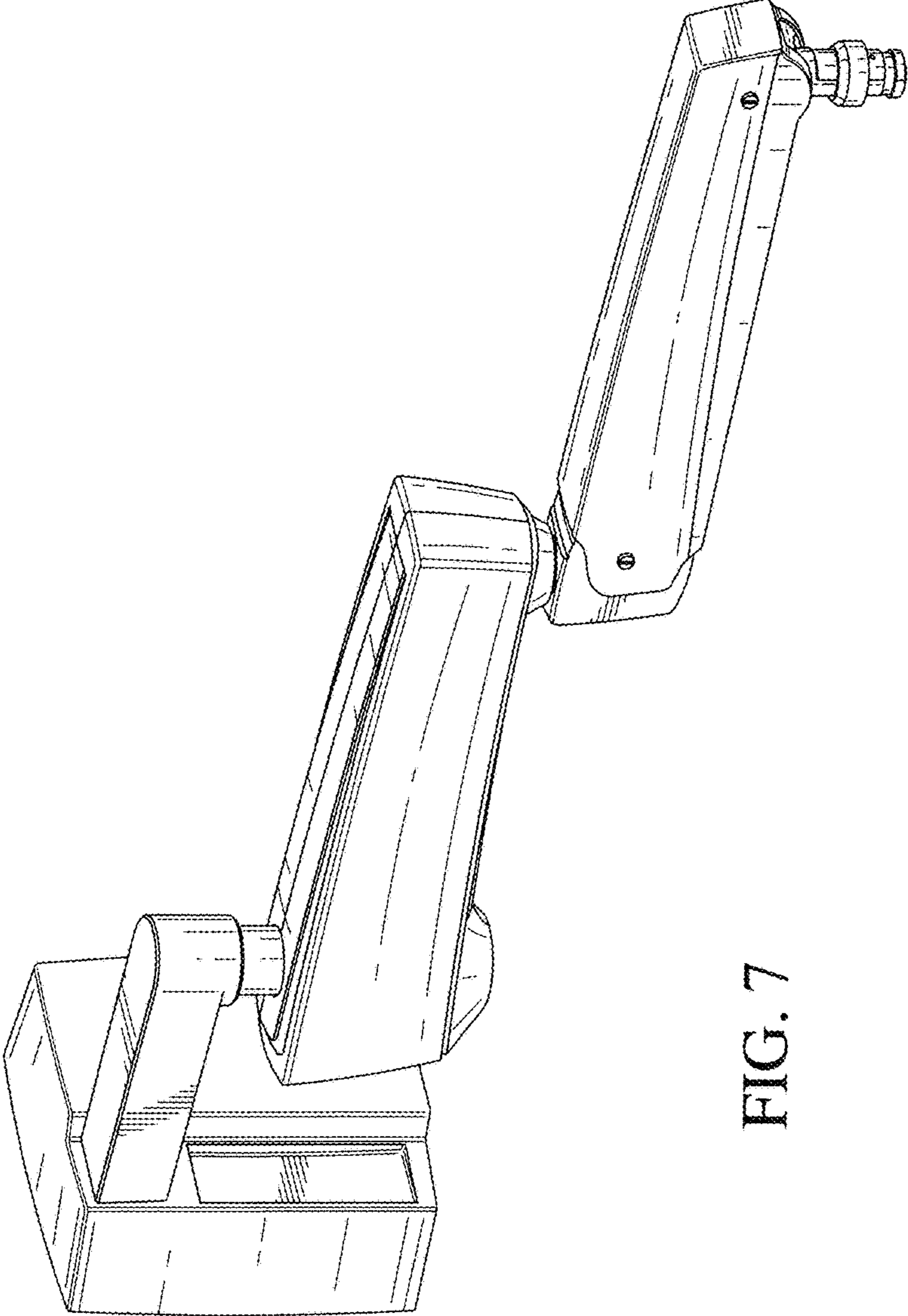


FIG. 7

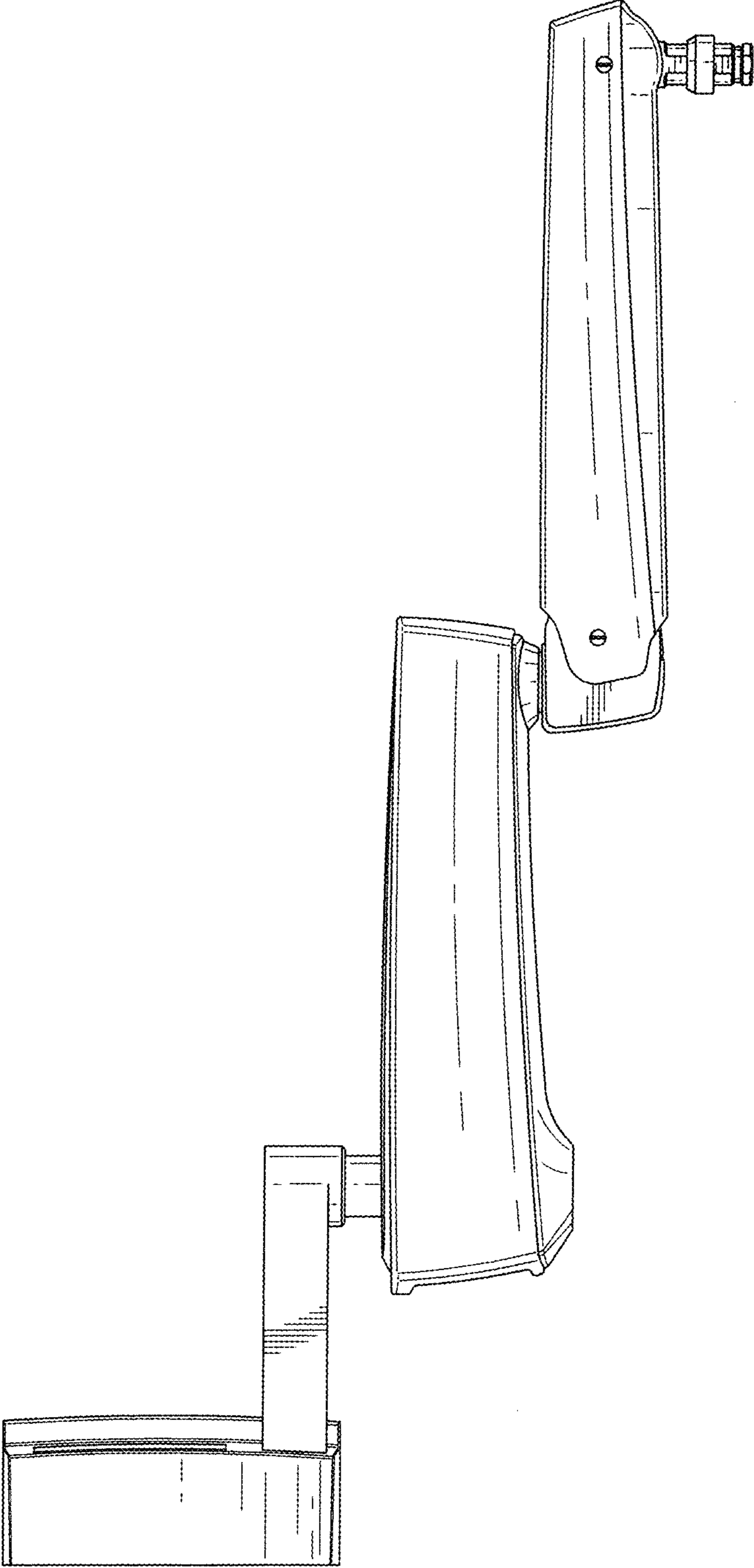


FIG. 8

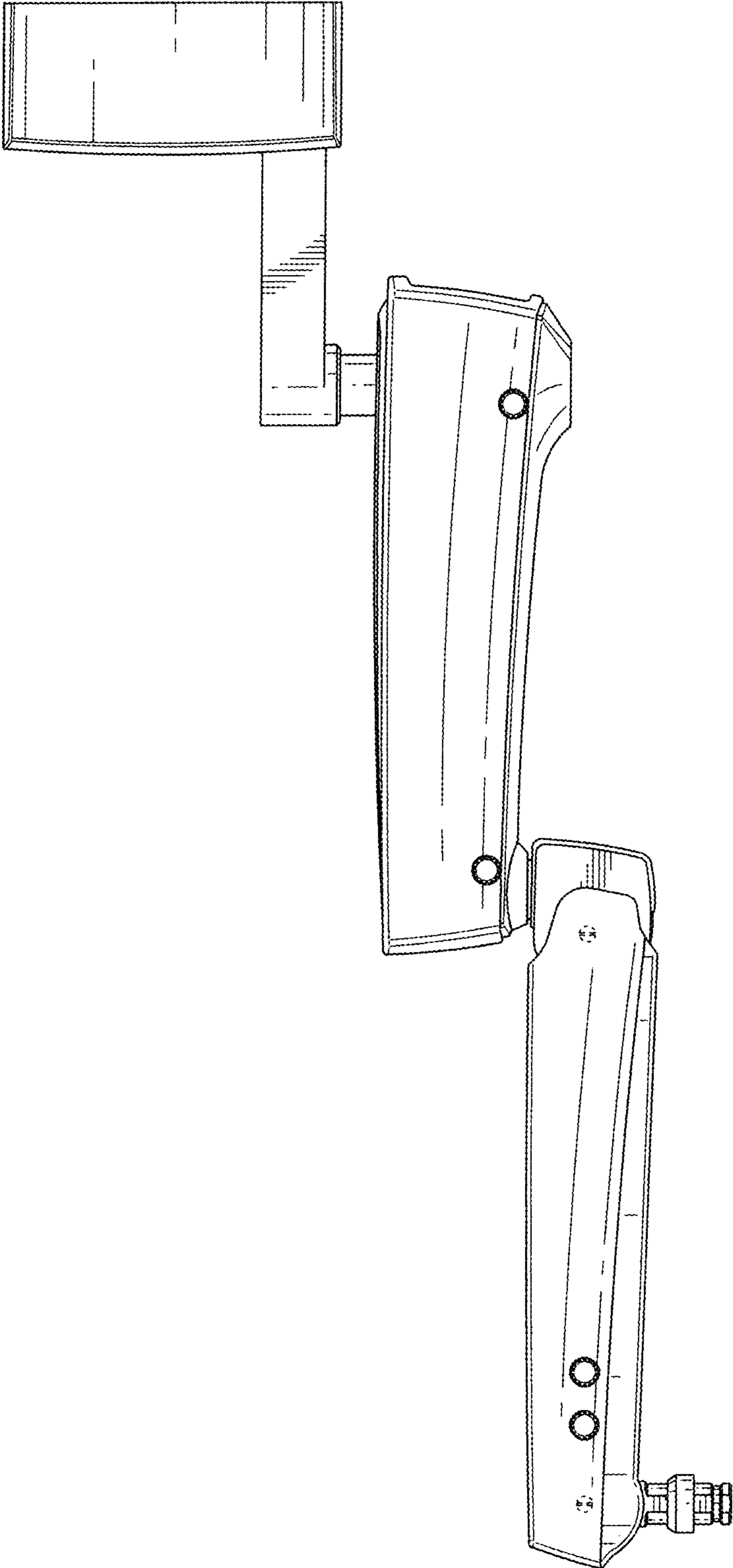


FIG. 9

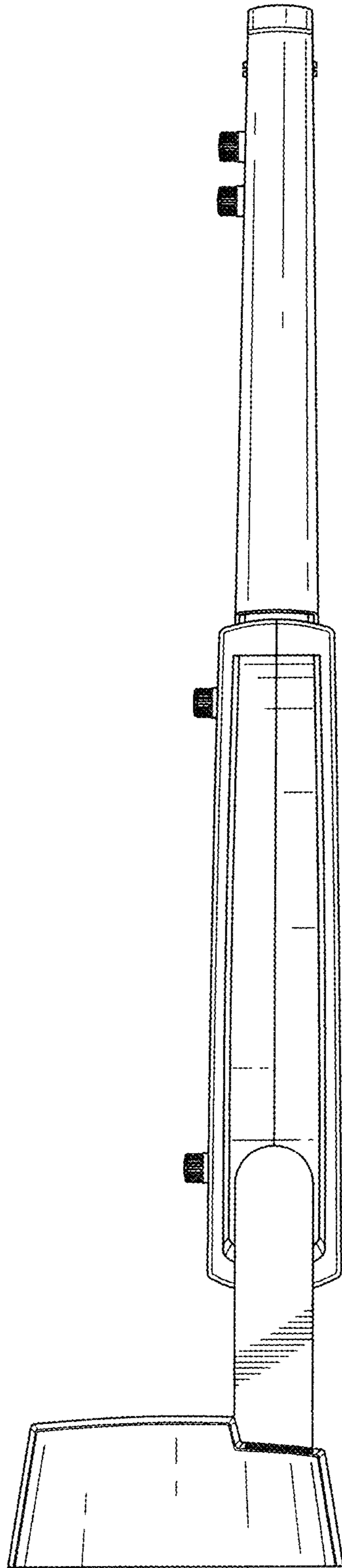


FIG. 10

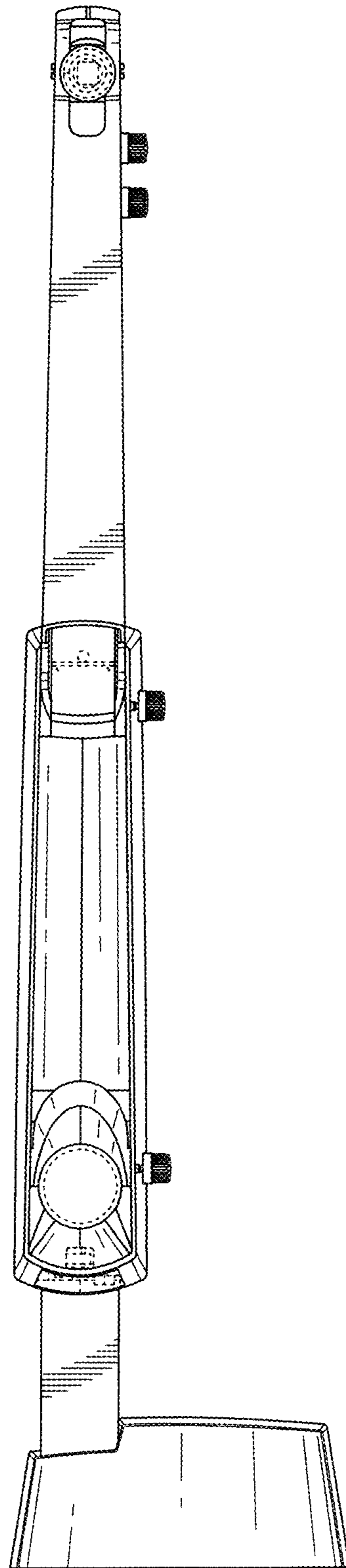


FIG. 11

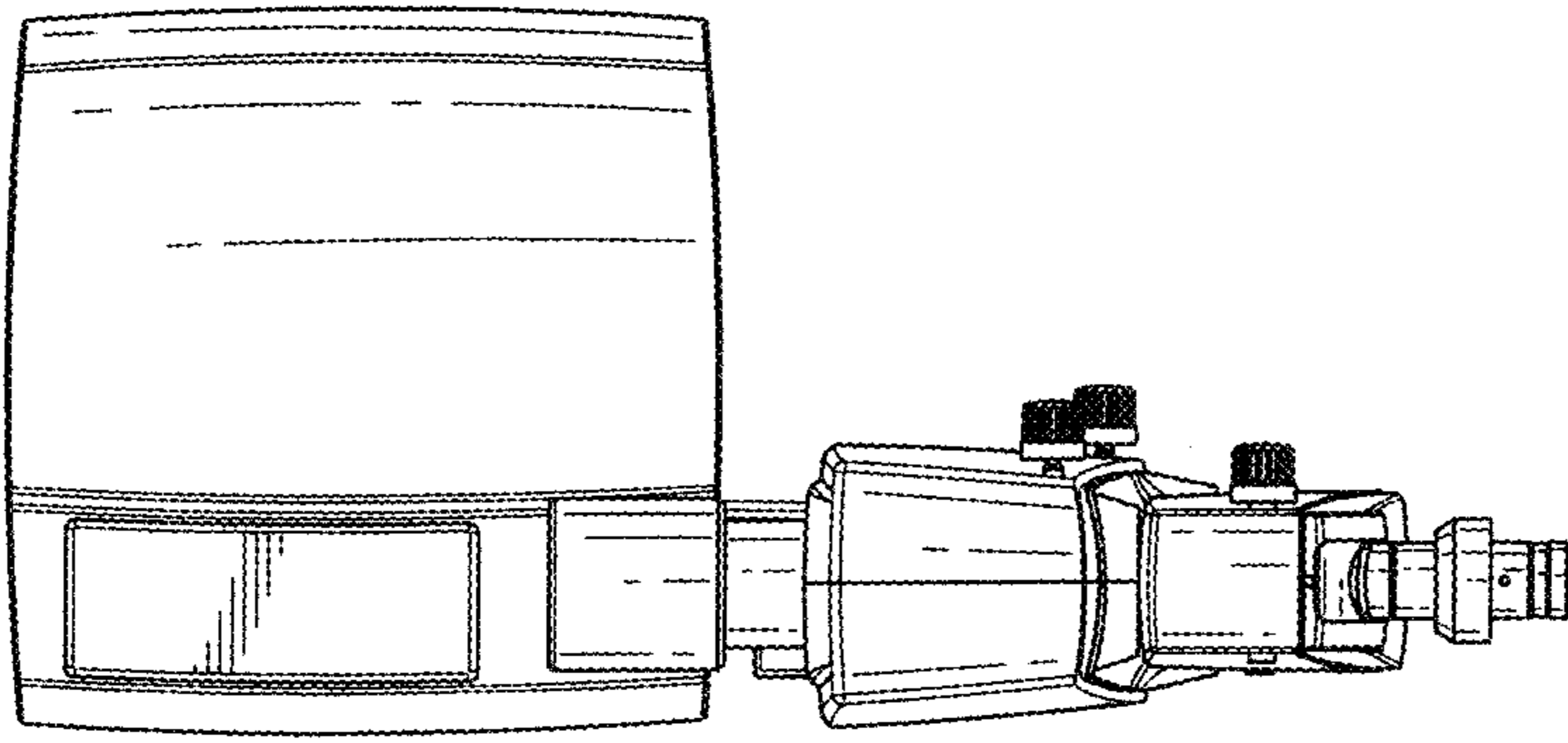


FIG. 12

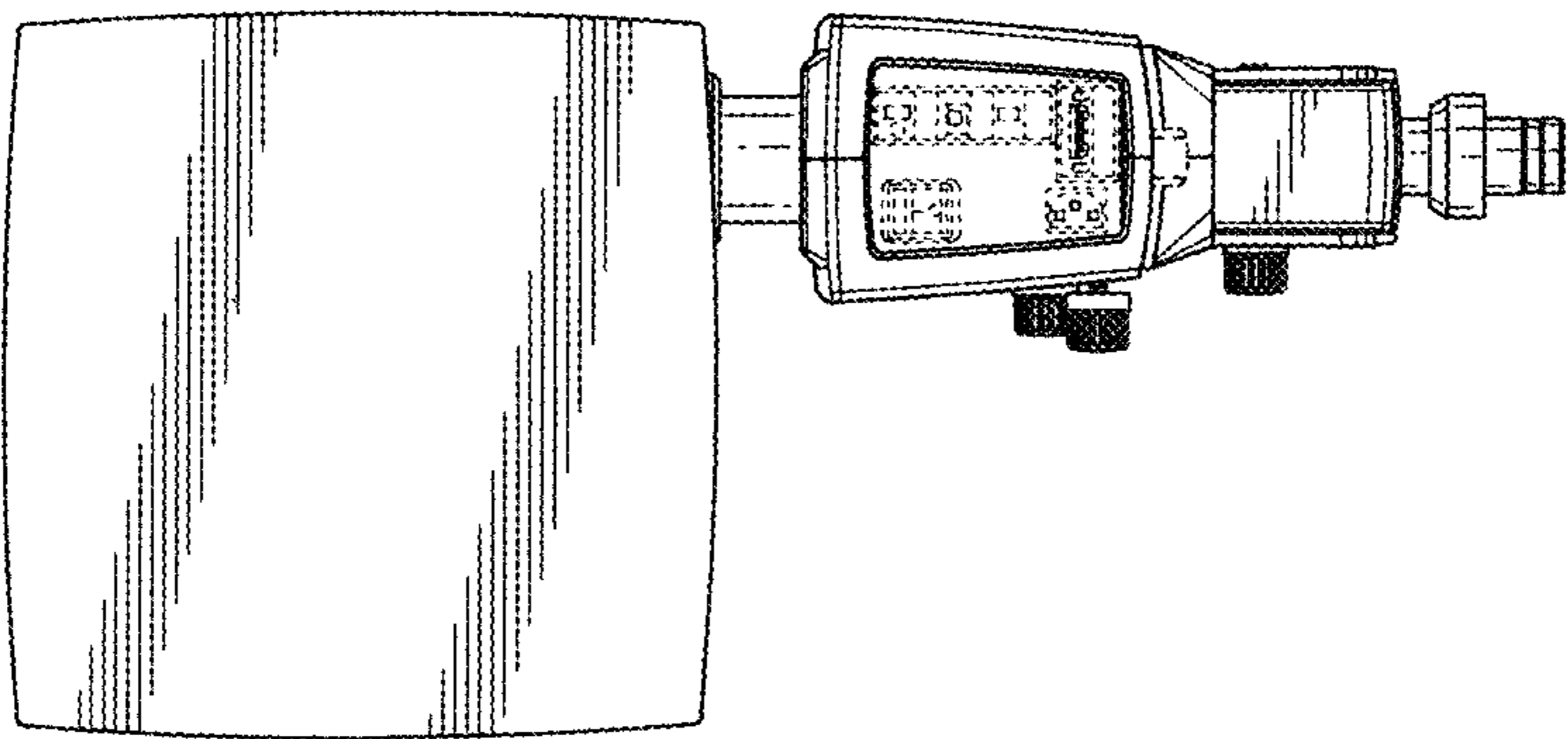


FIG. 13

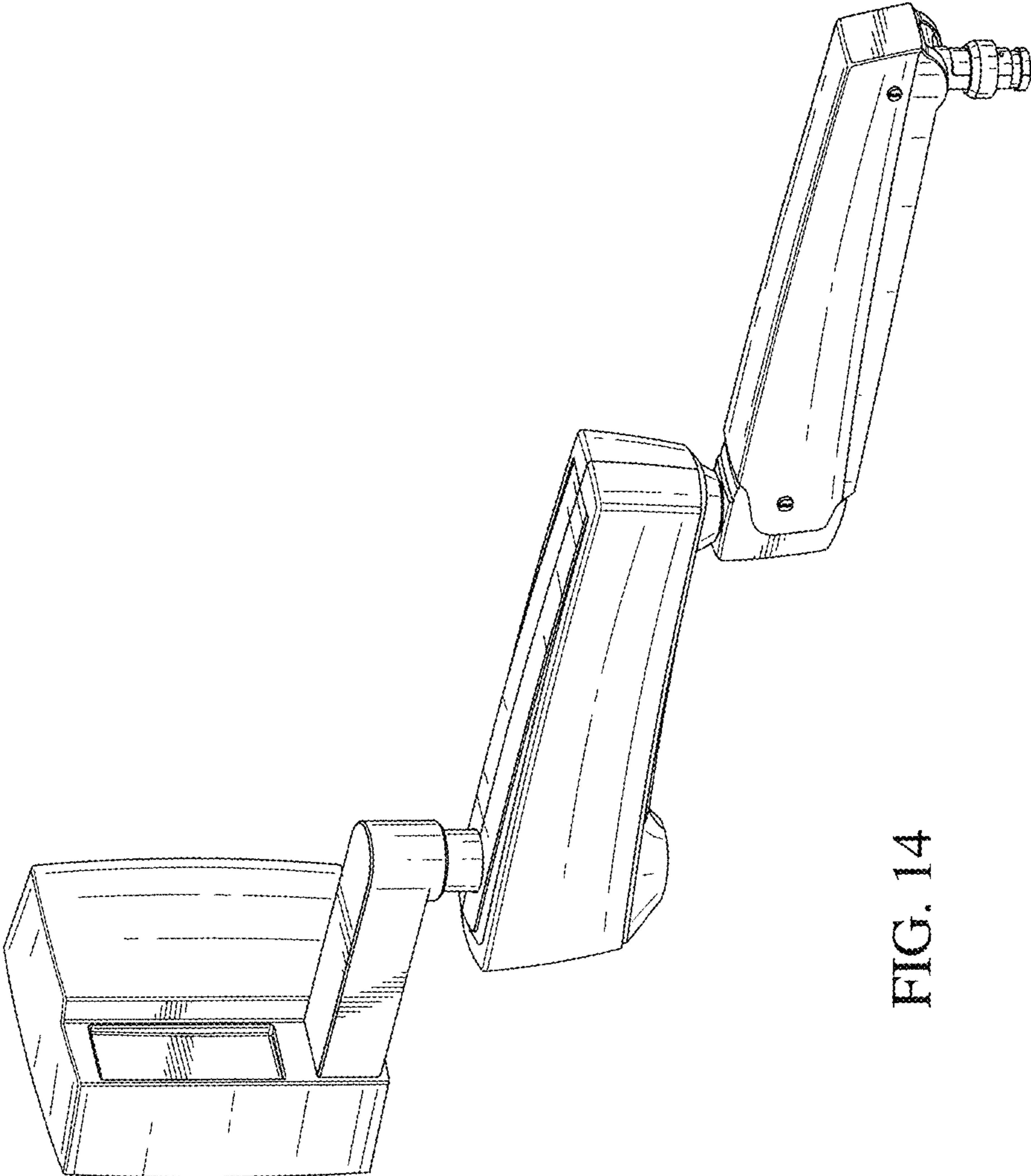


FIG. 14