

US00D800813S

(12) **United States Design Patent**
Zhu et al.

(10) **Patent No.:** **US D800,813 S**

(45) **Date of Patent:** **** Oct. 24, 2017**

(54) **INDUSTRIAL ROBOT**

(56) **References Cited**

(71) Applicant: **ABB SCHWEIZ AG**, Baden (CH)

U.S. PATENT DOCUMENTS

(72) Inventors: **Zhu Zhu**, Shanghai (CN); **Yongzhi Huang**, Shanghai (CN); **Tao Feng**, Shanghai (CN); **Xiaodong Cao**, Shanghai (CN); **Hui Yu**, Shanghai (CN); **Kaiyuan Cao**, Shanghai (CN); **Jingjing Zhou**, Shanghai (CN)

D274,182 S *	6/1984	Kato	D15/122
D300,935 S *	5/1989	Maddock	D15/122
5,193,658 A *	3/1993	Tellden	B25J 9/101 192/138
D344,280 S *	2/1994	Koyama	D15/199
D423,534 S *	4/2000	Raab	D15/199
D440,241 S *	4/2001	Kawahara	D15/199
D443,287 S *	6/2001	Kawahara	D15/199
D444,488 S *	7/2001	Selic	D15/199
D461,484 S *	8/2002	Kraft	D15/199
D613,781 S *	4/2010	Liu	D15/199

(73) Assignee: **ABB Schweiz AG**, Baden (CH)

(Continued)

(**) Term: **15 Years**

Primary Examiner — Patricia Palasik

(21) Appl. No.: **29/571,230**

(74) *Attorney, Agent, or Firm* — Taft, Stettinius & Hollister LLP

(22) Filed: **Jul. 15, 2016**

(57) **CLAIM**

The ornamental design for an industrial robot, as shown and described.

Related U.S. Application Data

DESCRIPTION

(62) Division of application No. 29/496,594, filed on Jul. 15, 2014, now Pat. No. Des. 776,735.

FIG. 1 is a first embodiment, showing a front view of an industrial robot of the new design;
FIG. 2 is a back view of the first embodiment;
FIG. 3 is a left view of the first embodiment;
FIG. 4 is a right view of the first embodiment;
FIG. 5 is a top view of the first embodiment;
FIG. 6 is a bottom view of the first embodiment;
FIG. 7 is a perspective view of the first embodiment;
FIG. 8 is a second embodiment, showing a front view of an industrial robot of the new design;
FIG. 9 is a back view of the second embodiment;
FIG. 10 is a left view of the second embodiment;
FIG. 11 is a right view of the second embodiment;
FIG. 12 is a top view of the second embodiment;
FIG. 13 is a bottom view of the second embodiment; and,
FIG. 14 is a perspective view of the second embodiment.
The broken lines in the drawings depict unclaimed environmental subject matter.

(30) **Foreign Application Priority Data**

Mar. 28, 2014 (CN) 2014 3 0069043

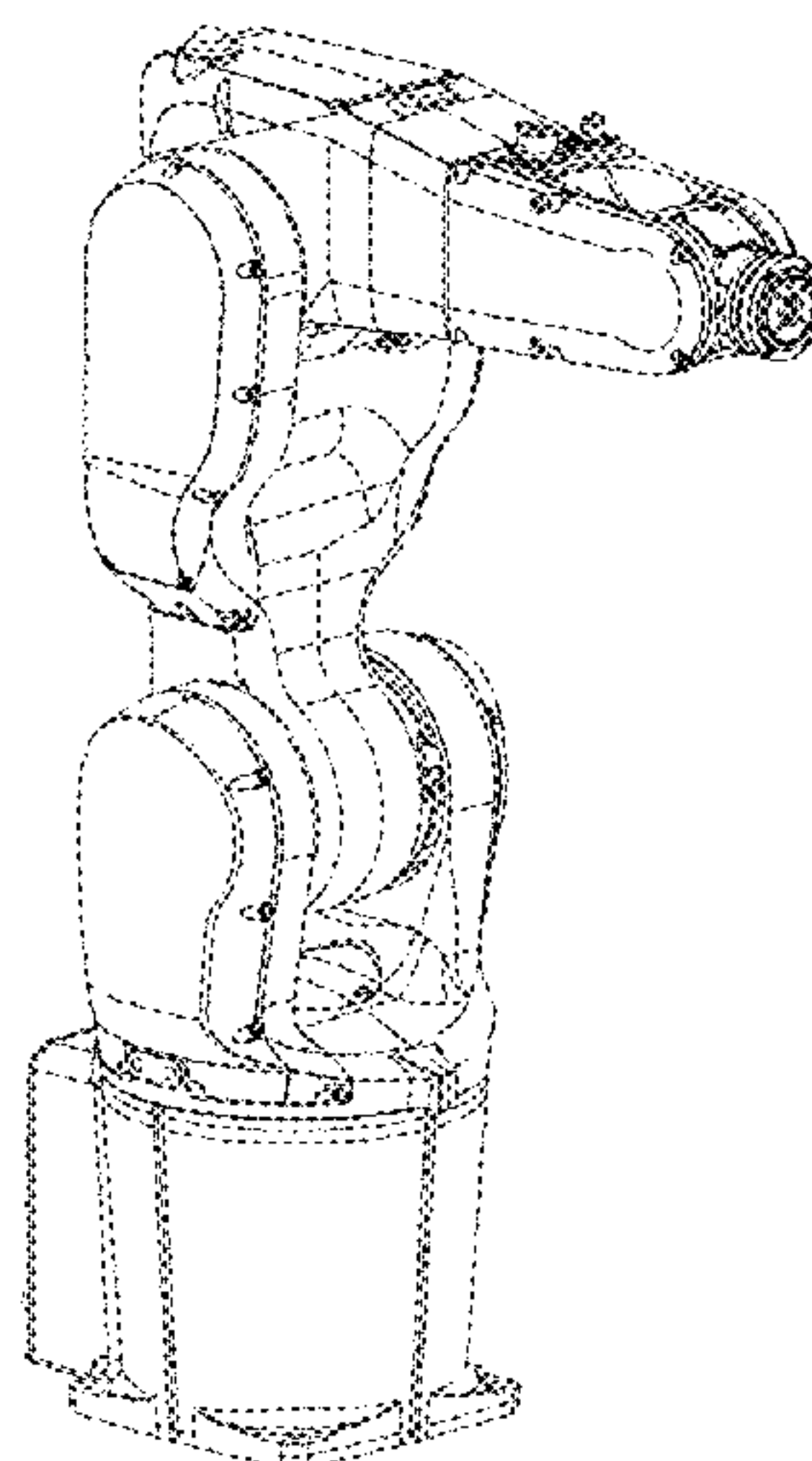
(51) **LOC (10) Cl.** **15-99**

(52) **U.S. Cl.**
USPC **D15/199**

(58) **Field of Classification Search**
USPC D15/199; D21/578
CPC B25J 11/009; G05D 1/024; G05D 1/027;
G05D 1/0011; G05D 1/0227; G05D
1/0242; G05D 1/0246; G05D 1/0274;
G05D 1/0255; G05D 1/0272; G05D
2201/0206; G05D 2201/0211; Y10S
901/01; Y10S 901/47

See application file for complete search history.

1 Claim, 12 Drawing Sheets



(56)

References Cited

U.S. PATENT DOCUMENTS

D616,477	S *	5/2010	Long	D15/199
D624,104	S *	9/2010	Miyake	15/99
D636,803	S *	4/2011	Nakagiri	D15/199
D638,043	S *	5/2011	Tsuchiya	D15/199
D638,044	S *	5/2011	Ikoma	D15/199
D638,455	S *	5/2011	Long	D15/199
D650,820	S *	12/2011	Long	D15/199
D670,319	S *	11/2012	Liu	D15/199
8,386,077	B2 *	2/2013	Birkenbach	G05B 19/402 700/245
D677,294	S *	3/2013	Long	D15/199
D678,378	S *	3/2013	Selic	D15/199
D681,708	S *	5/2013	Miyake	D15/199
D690,753	S *	10/2013	Liu	D15/199
D697,104	S *	1/2014	Dye	D15/199
D707,277	S *	6/2014	Olsson	D15/199
D713,436	S *	9/2014	Liu	D15/199
8,914,152	B2 *	12/2014	Scheurer	B25J 9/1666 700/250
9,095,982	B2 *	8/2015	Oka	B25J 17/0283
9,102,065	B2 *	8/2015	Krumbacher	B25J 17/02
9,114,527	B2 *	8/2015	Takahashi	B25J 17/02
9,120,229	B2 *	9/2015	Roth	B25J 9/0018

* cited by examiner

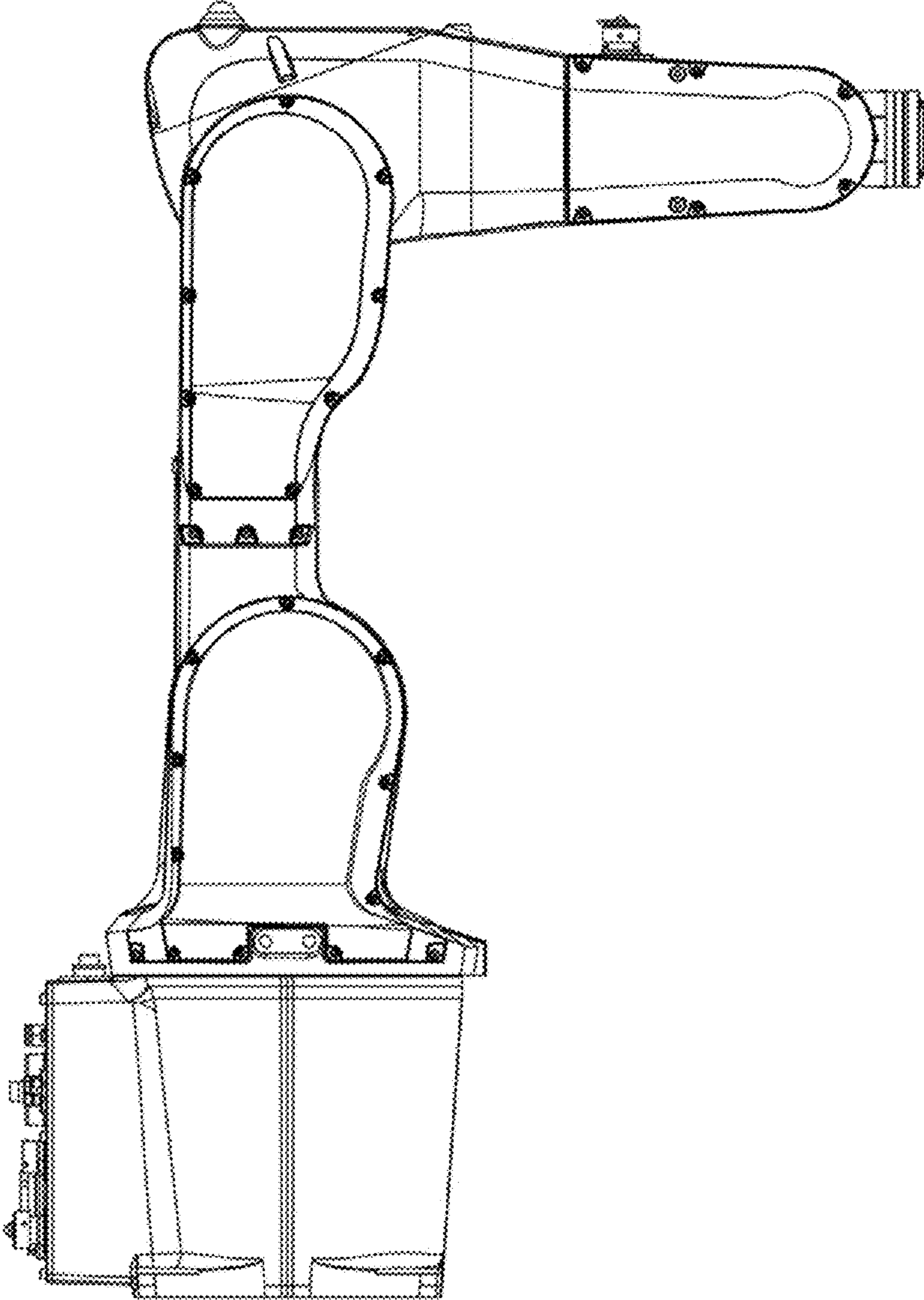


FIGURE 1

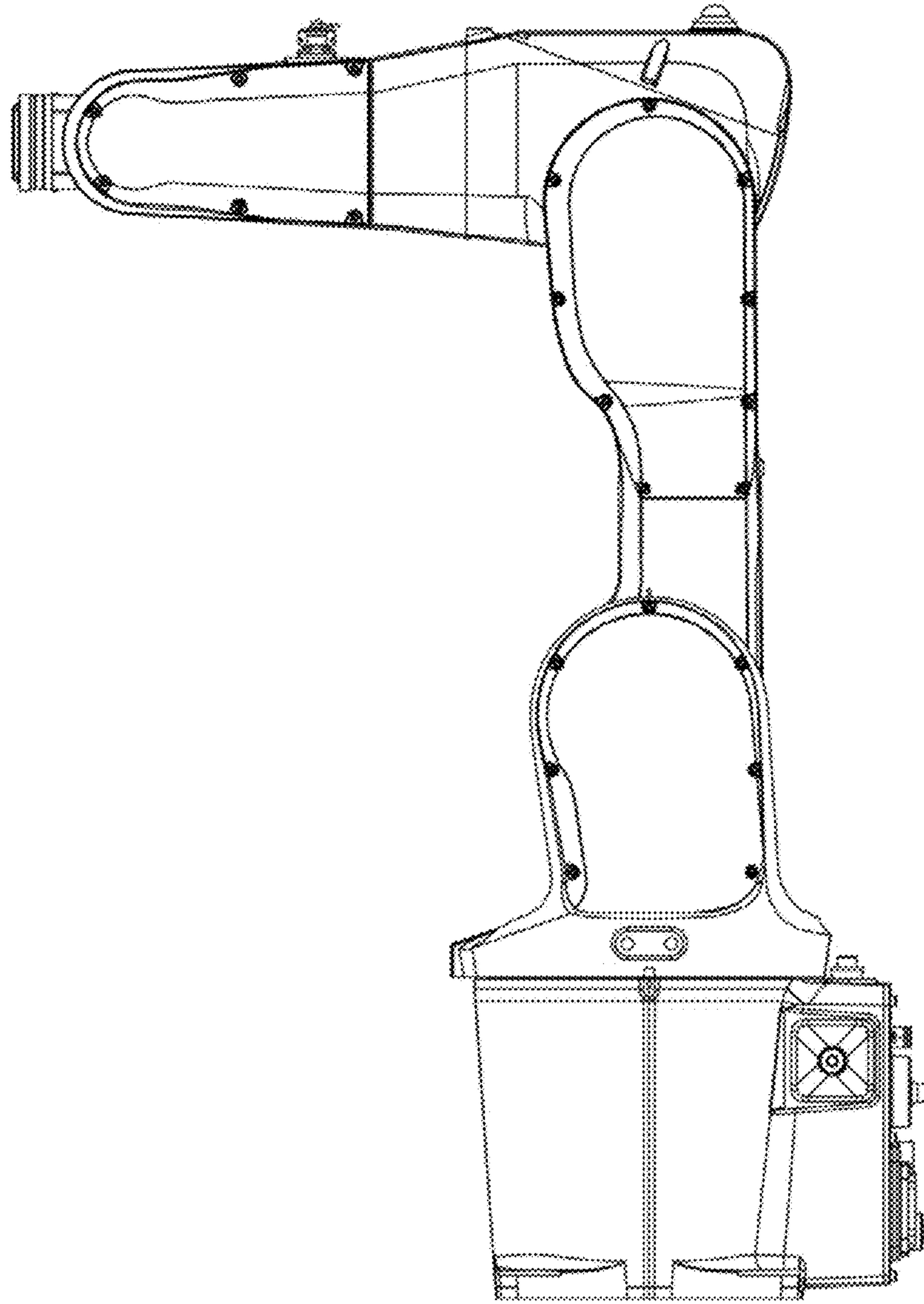


FIGURE 2

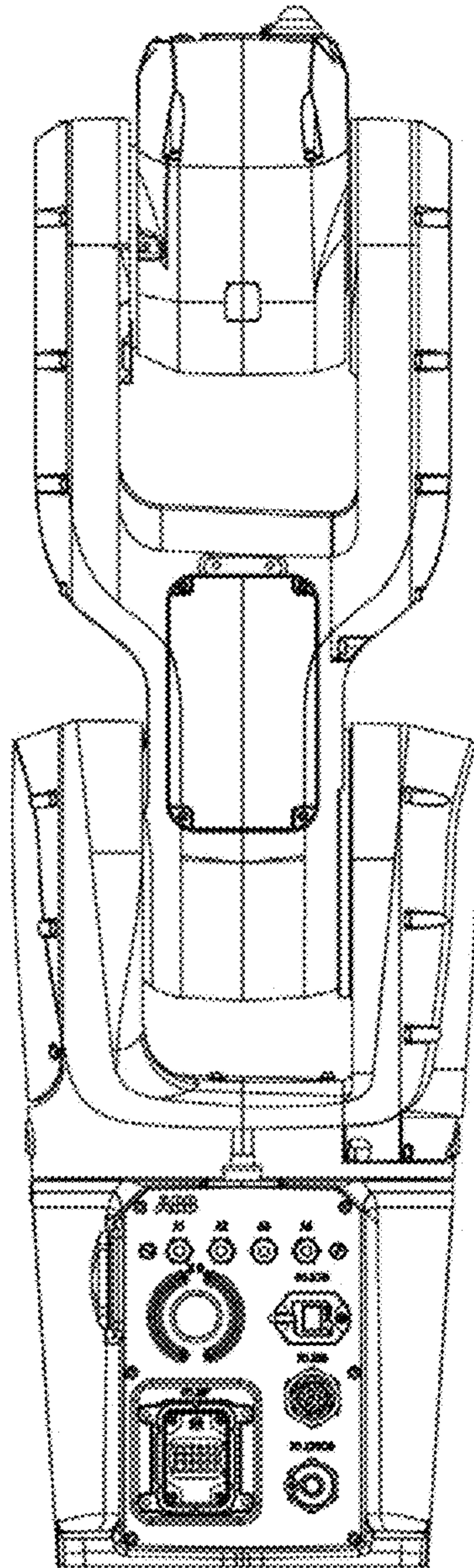


FIGURE 3

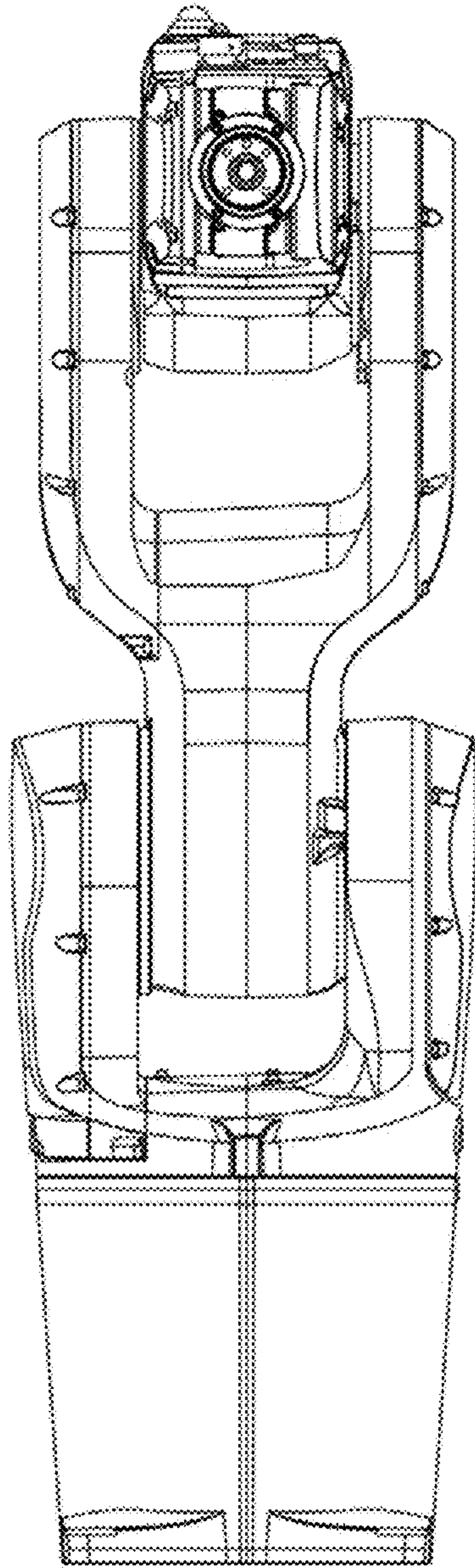


FIGURE 4

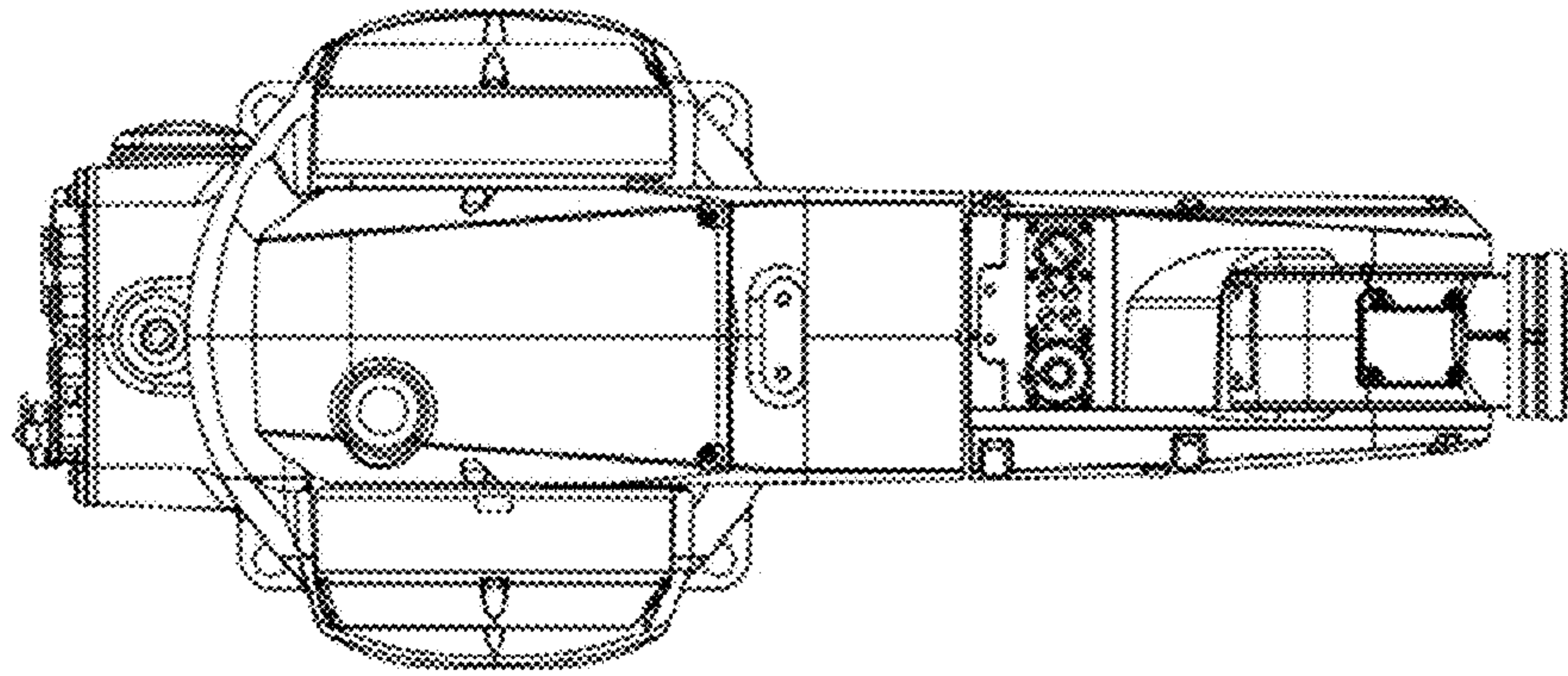


FIGURE 5

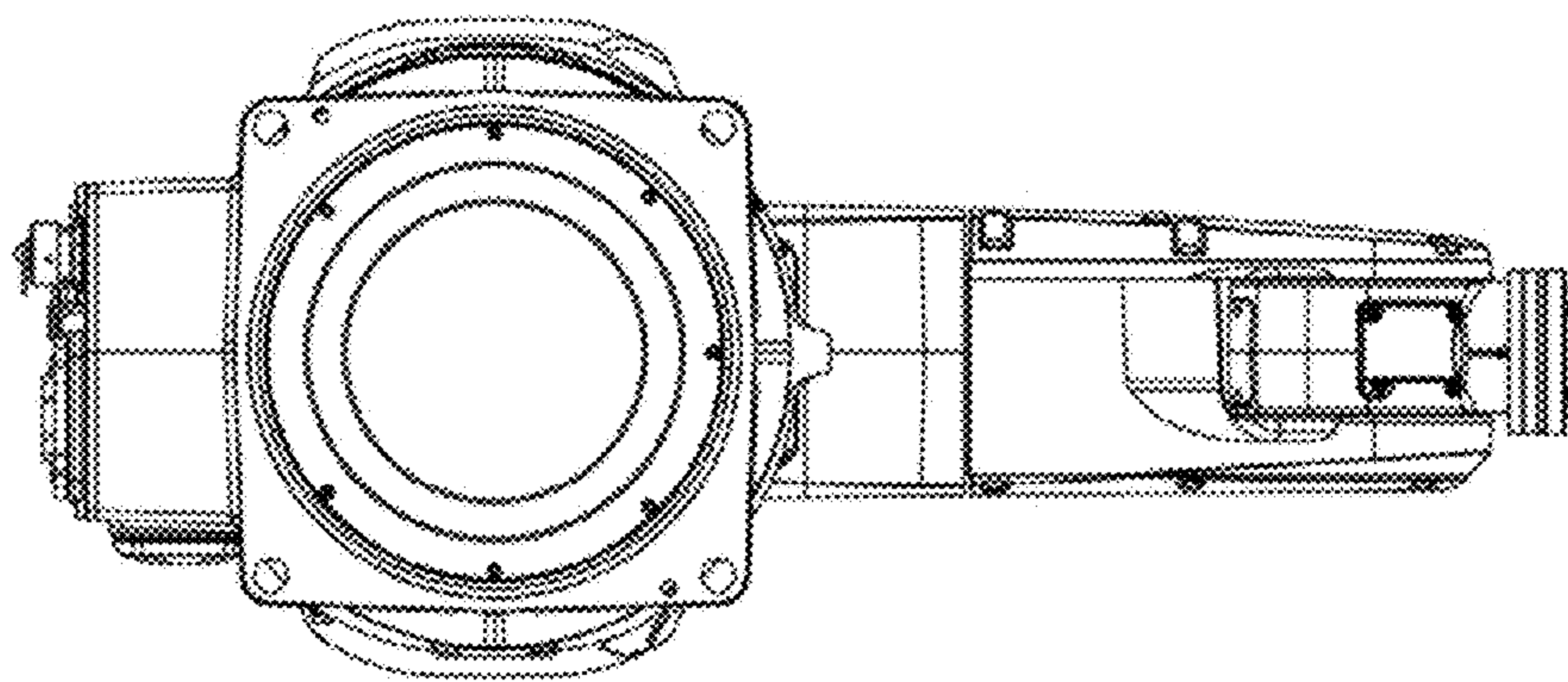


FIGURE 6

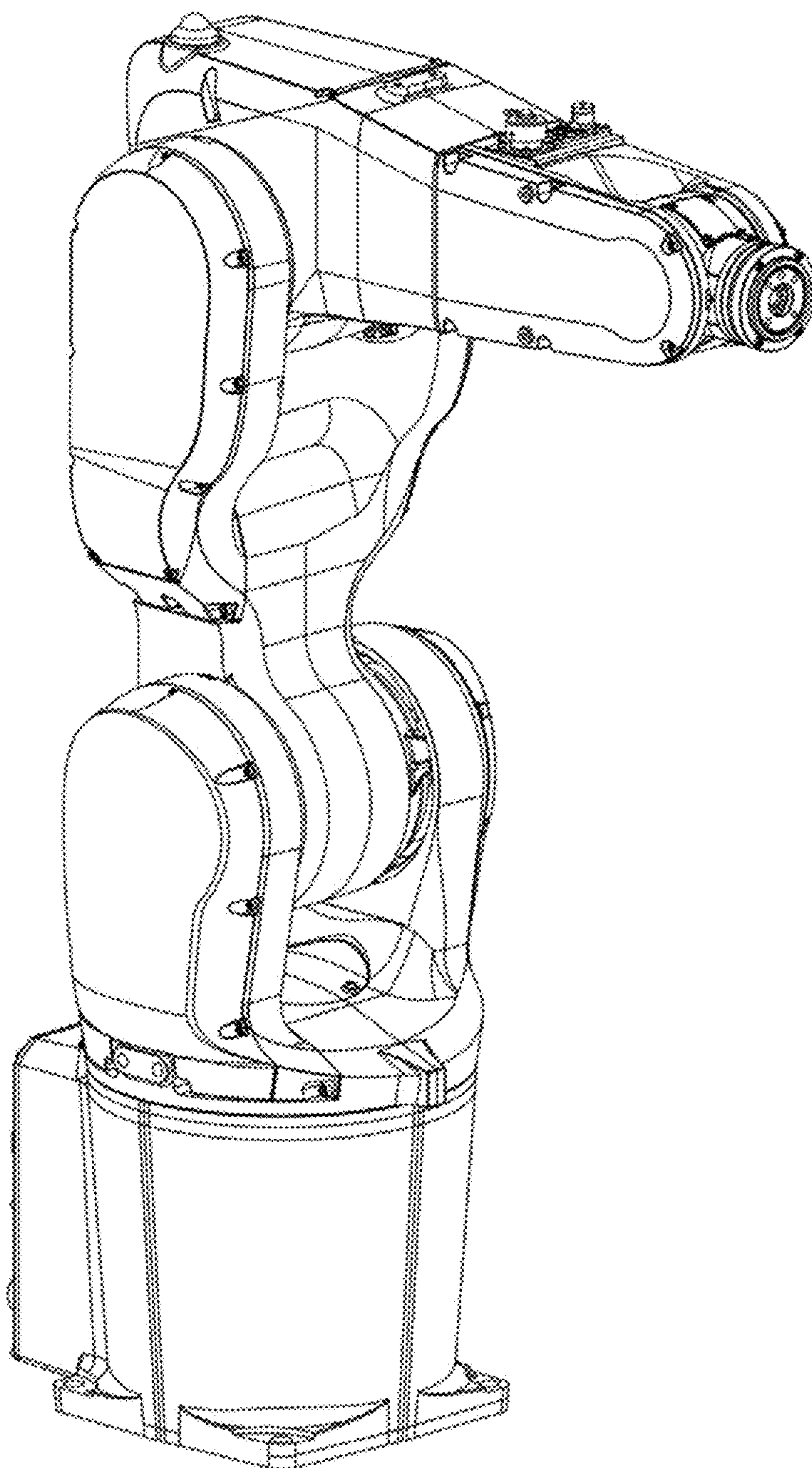


FIGURE 7

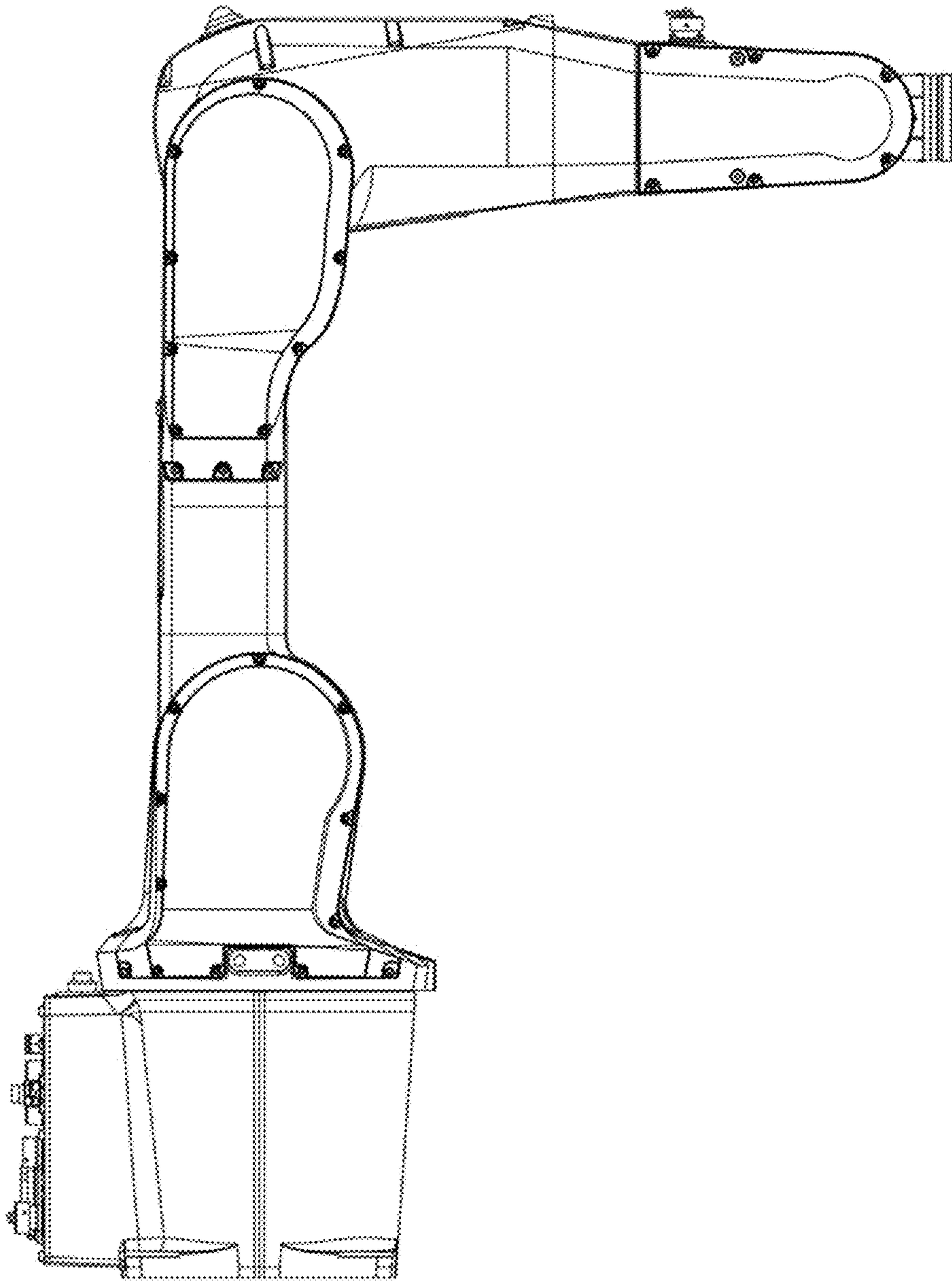


FIGURE 8

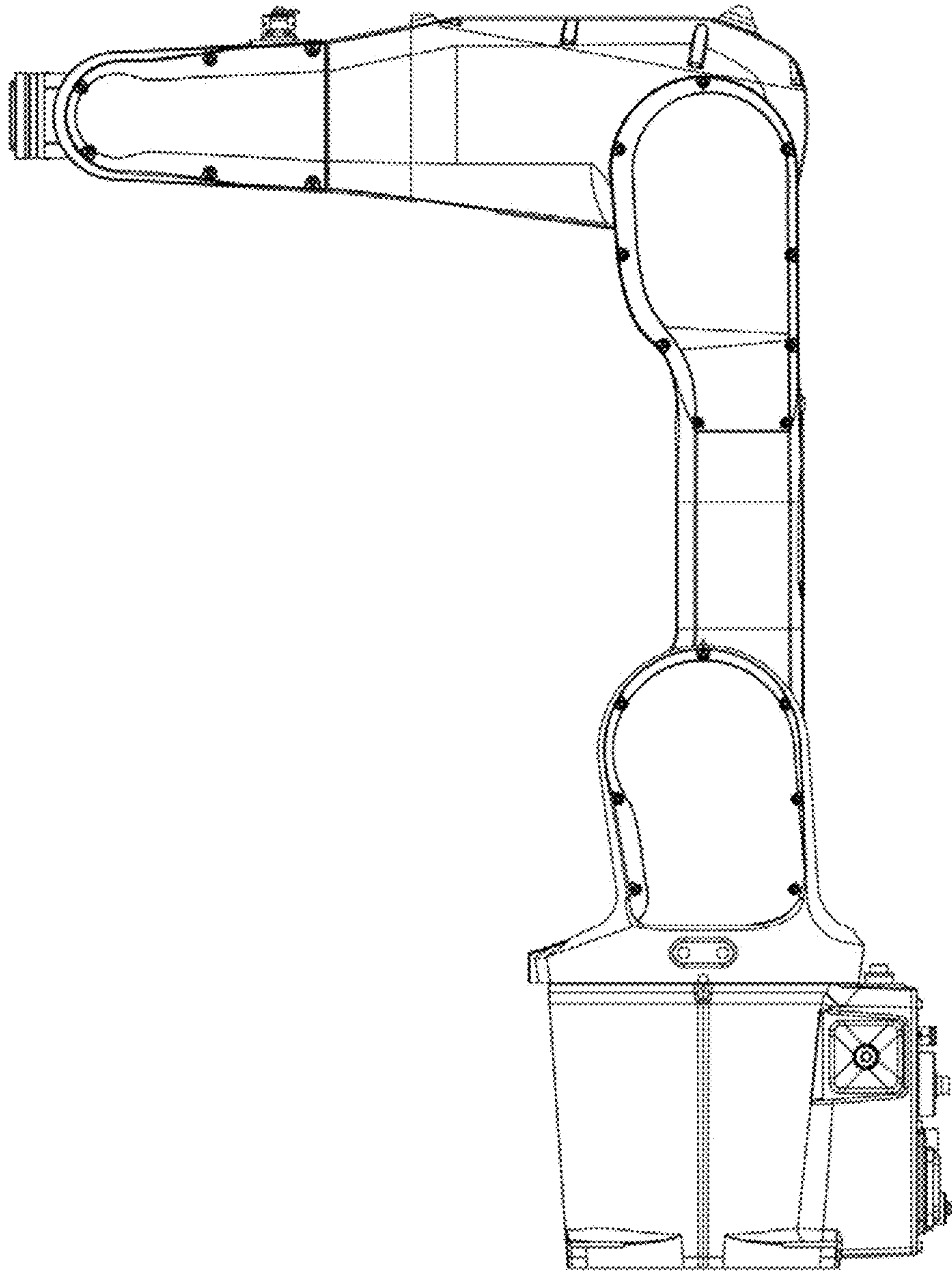


FIGURE 9

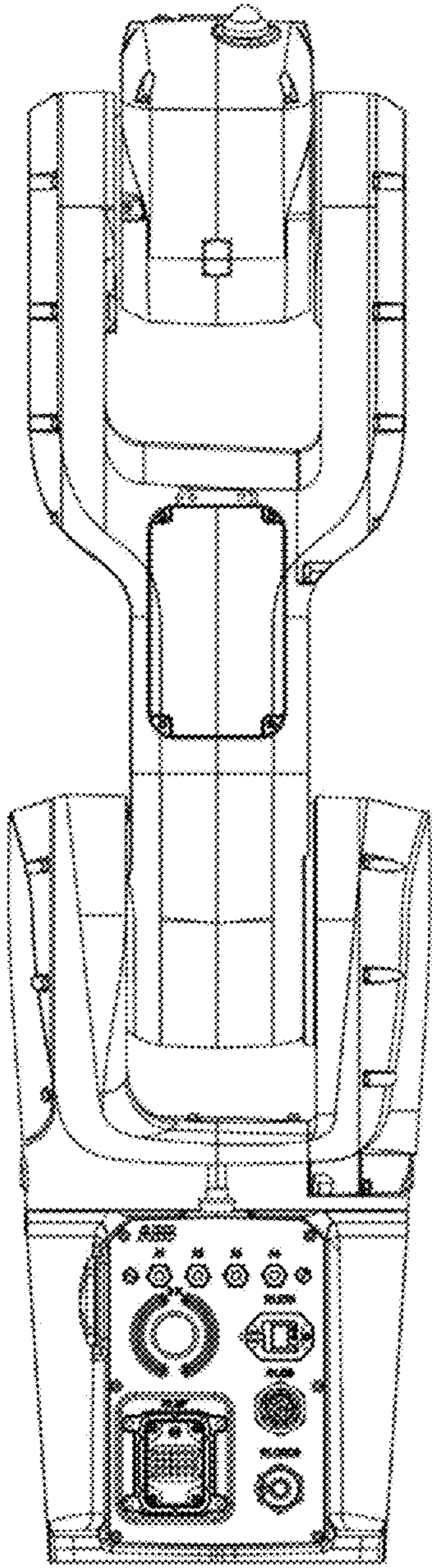


FIGURE 10

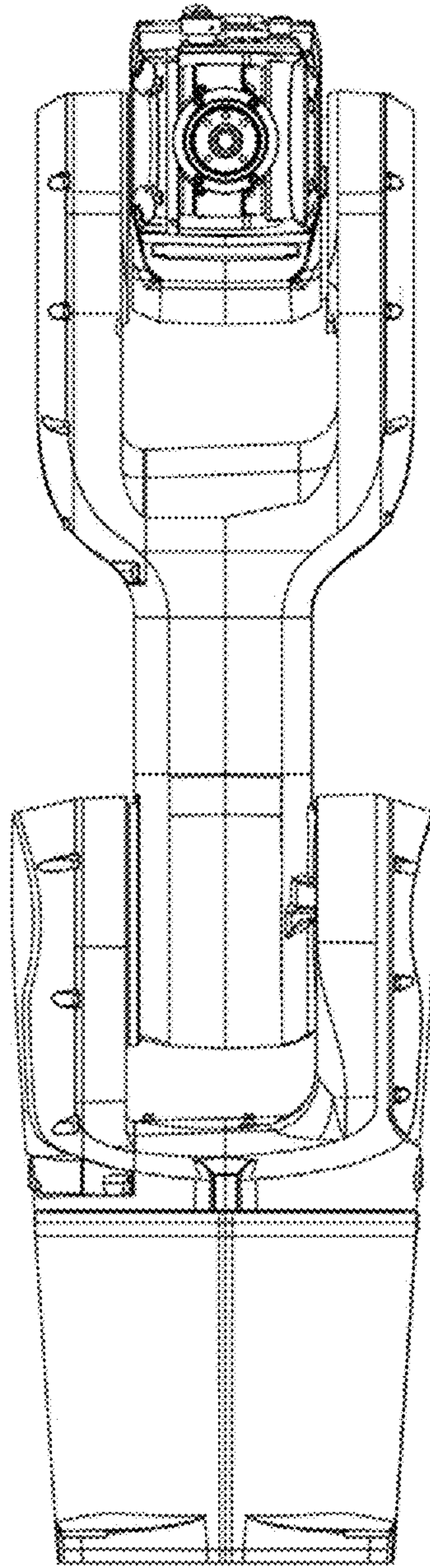


FIGURE 11

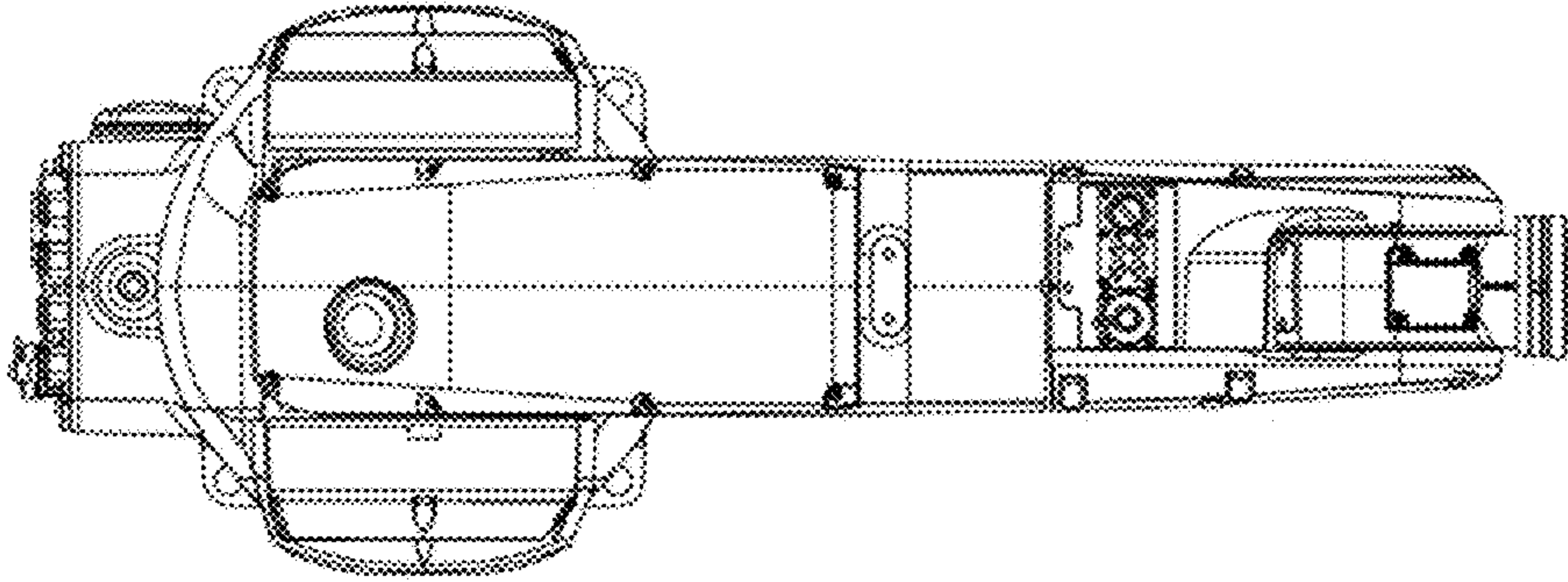


FIGURE 12

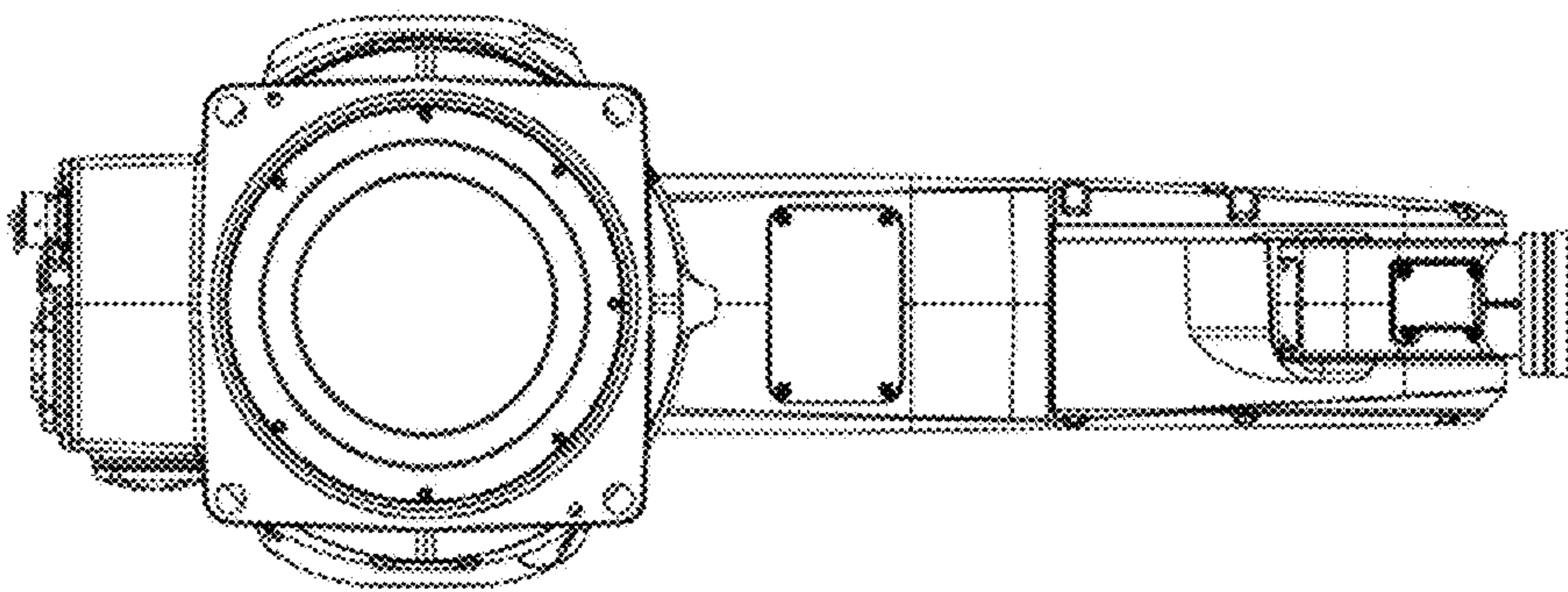


FIGURE 13

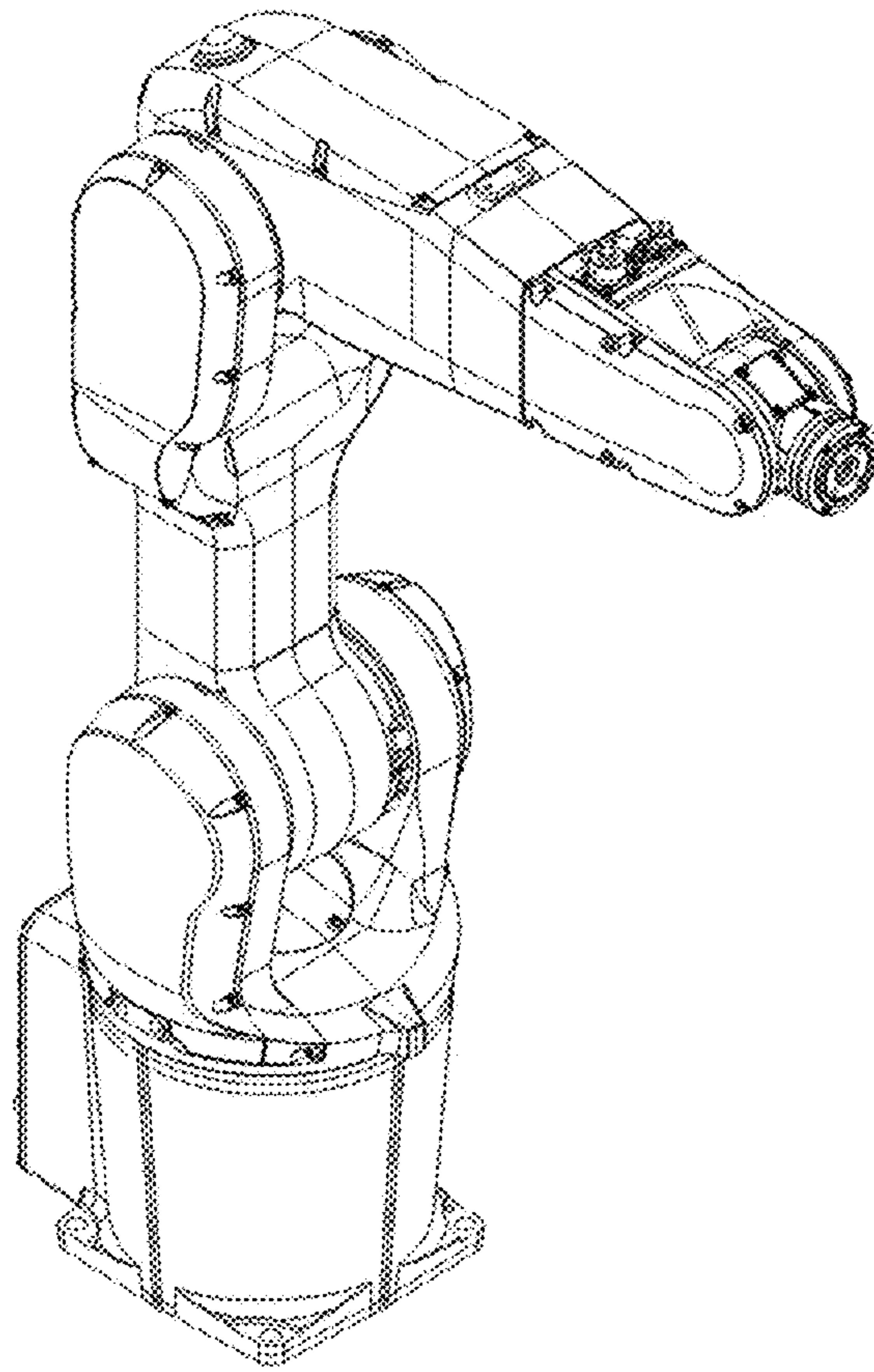


FIGURE 14