



US00D800811S

(12) **United States Design Patent**
Hynek et al.

(10) **Patent No.:** **US D800,811 S**

(45) **Date of Patent:** **** Oct. 24, 2017**

- (54) **LINEAR GUIDEWAY**
- (71) Applicants: **Martin Hynek**, Plzen (CZ); **Antonin Max**, Plzen (CZ); **Simon Pusman**, Podbrdy (CZ)
- (72) Inventors: **Martin Hynek**, Plzen (CZ); **Antonin Max**, Plzen (CZ); **Simon Pusman**, Podbrdy (CZ)
- (73) Assignee: **ZAPADOCESKA UNIVERZITA V PLZNI**, Plzen (CZ)
- (**) Term: **15 Years**
- (21) Appl. No.: **29/565,841**
- (22) Filed: **May 25, 2016**
- (51) **LOC (10) Cl.** **15-09**
- (52) **U.S. Cl.**
USPC **D15/143**
- (58) **Field of Classification Search**
USPC D15/136, 143, 199, 7, 149, 5; D10/85, D10/46; D25/119; D26/138; 184/5, 184/105.3; 384/13, 45, 49, 51, 53, 55, 7
CPC .. F16C 29/005; F16C 29/0676; F16C 29/063; F16H 2025/2034; F28F 3/12; B23Q 5/34; E04F 11/1842
See application file for complete search history.

- 4,502,737 A * 3/1985 Osawa F16C 29/0607 384/45
- 5,131,125 A * 7/1992 Coron B23Q 1/58 198/346.1
- D351,848 S * 10/1994 Yamazaki D15/143
- 5,429,438 A * 7/1995 Wood F16C 29/02 384/26
- D363,297 S * 10/1995 Yoshikawa D15/143
- D373,963 S * 9/1996 Nagai D10/85
- 5,915,840 A * 6/1999 Zaguroli, Jr. F16C 29/005 384/53
- D428,617 S * 7/2000 Hariwara D15/7
- D489,829 S * 5/2004 Barnett D25/119
- D489,830 S * 5/2004 Barnett D25/119
- D554,164 S * 10/2007 Naruse D15/143
- 7,383,670 B1 * 6/2008 Meyers E04F 13/081 156/71
- D574,865 S * 8/2008 Cheng D10/46
- D587,733 S * 3/2009 Niedermeyer D15/143
- D599,387 S * 9/2009 Chuo D15/143
- 7,985,024 B2 * 7/2011 Matsumoto B29C 33/005 29/898.067

(Continued)

Primary Examiner — Caron D Veynar
Assistant Examiner — Katelin G Kloberg

(57) **CLAIM**

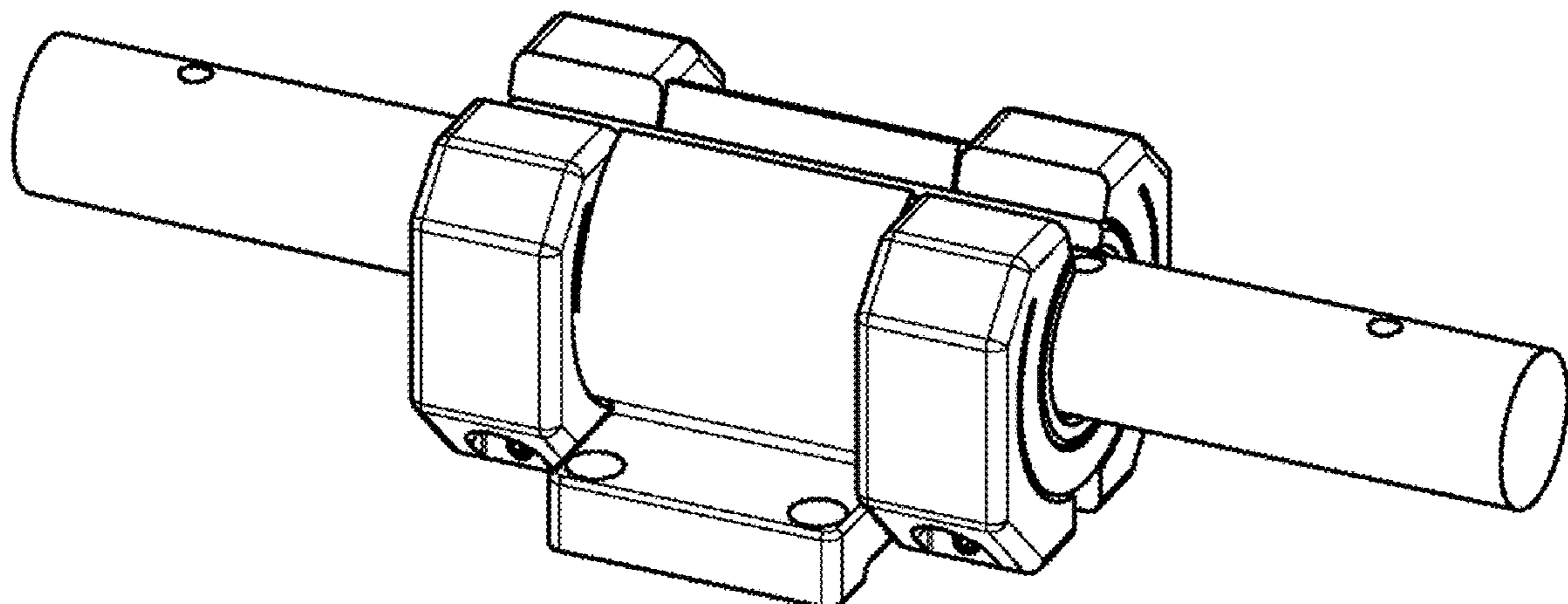
The ornamental design for a linear guideway, as shown and described.

DESCRIPTION

FIG. 1 is a front elevational view of a linear guideway showing my new design;
FIG. 2 is a top plan view thereof;
FIG. 3 is a bottom plan view thereof;
FIG. 4 is a left side elevational view thereof; a right side elevational view is a mirror image of the left side elevational view;
FIG. 5 is a left, front, top perspective view thereof;
FIG. 6 is a top, front, left perspective view thereof; and,
FIG. 7 is a rear, top, left perspective view thereof.

1 Claim, 2 Drawing Sheets

- (56) **References Cited**
U.S. PATENT DOCUMENTS
- 3,897,982 A * 8/1975 Teramachi B23Q 1/40 384/45
- 3,938,854 A * 2/1976 Teramachi B23Q 1/40 384/45
- 4,005,913 A * 2/1977 Thomson, Jr. F16C 29/001 184/5
- 4,040,679 A * 8/1977 Teramachi B23Q 1/40 384/45



(56)

References Cited

U.S. PATENT DOCUMENTS

D657,406 S * 4/2012 Saito D15/143
D664,169 S * 7/2012 Shirai D15/143
D704,238 S * 5/2014 Fukano D15/143
9,032,638 B2 * 5/2015 Sivec G01D 5/34753
33/1 PT
D744,559 S * 12/2015 Nakayama D15/143
2005/0019545 A1 * 1/2005 Riebel C08L 3/02
428/304.4
2007/0076989 A1 * 4/2007 Matsumoto F16C 29/0638
384/45
2010/0040312 A1 * 2/2010 Rudy F16C 29/005
384/7
2010/0162582 A1 * 7/2010 Shiao F16C 29/00
33/708
2013/0259409 A1 * 10/2013 Tsao F16C 33/6659
384/13
2016/0073547 A1 * 3/2016 Maloney H05K 7/02
211/26
2016/0108955 A1 * 4/2016 Kuo F16C 29/0638
384/55

* cited by examiner

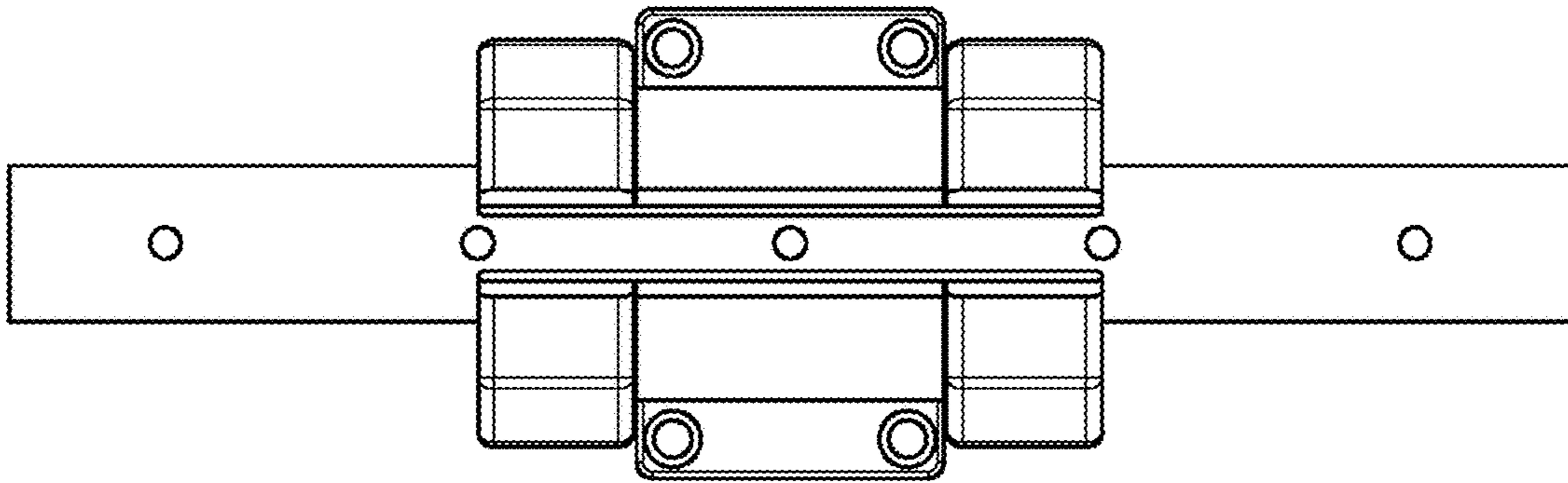


FIG. 1

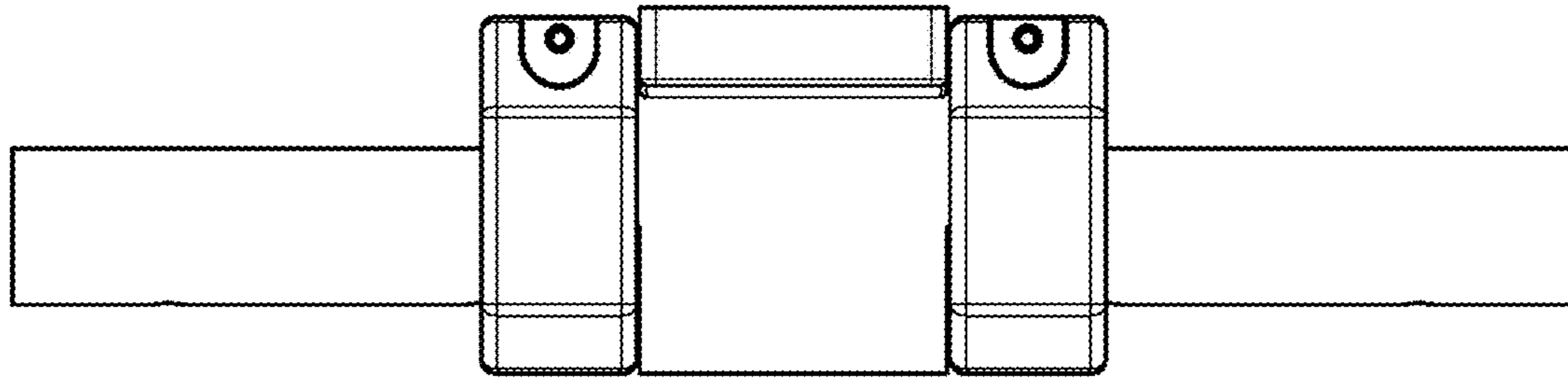


FIG. 2

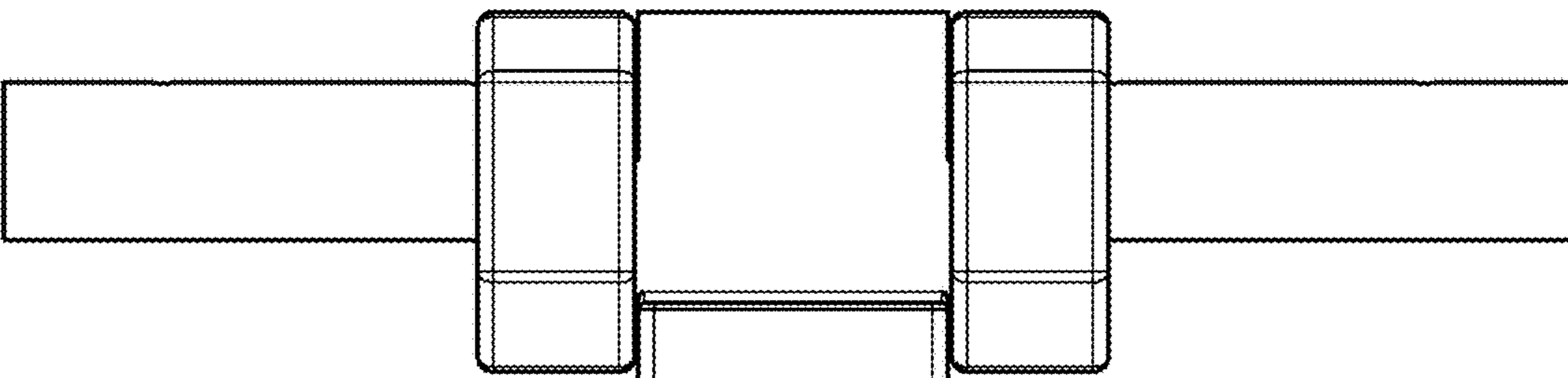


FIG. 3

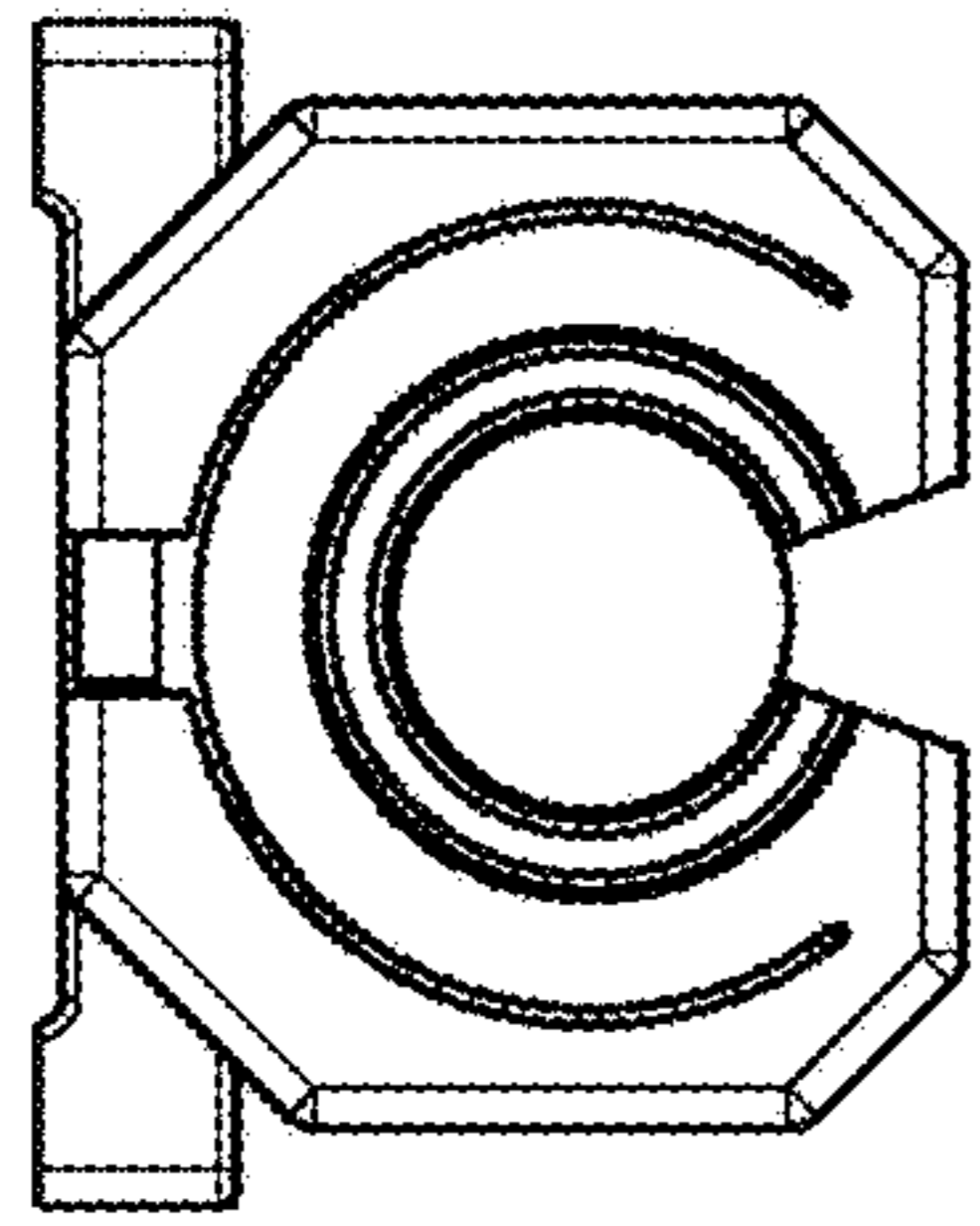


FIG. 4

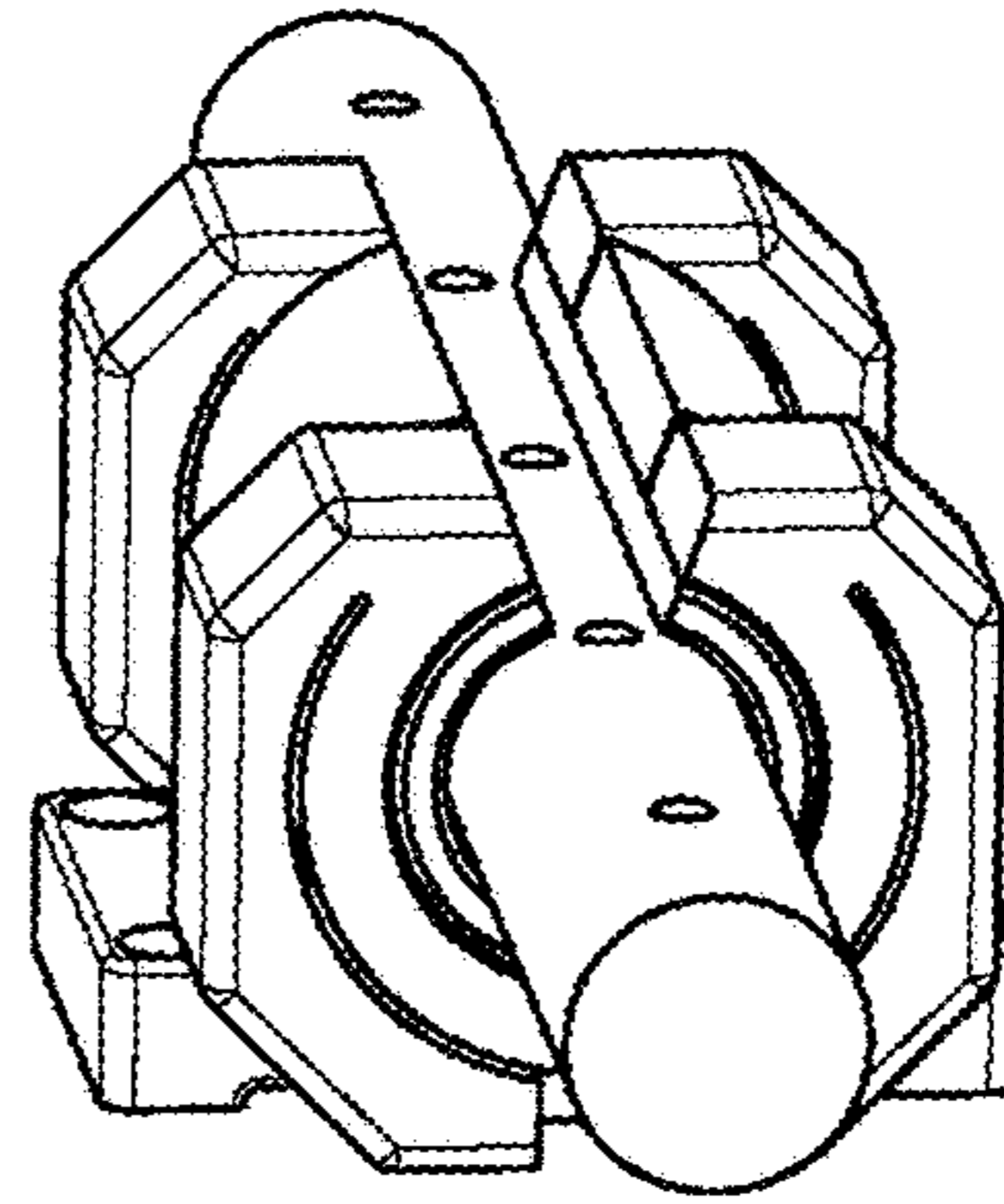


FIG. 5

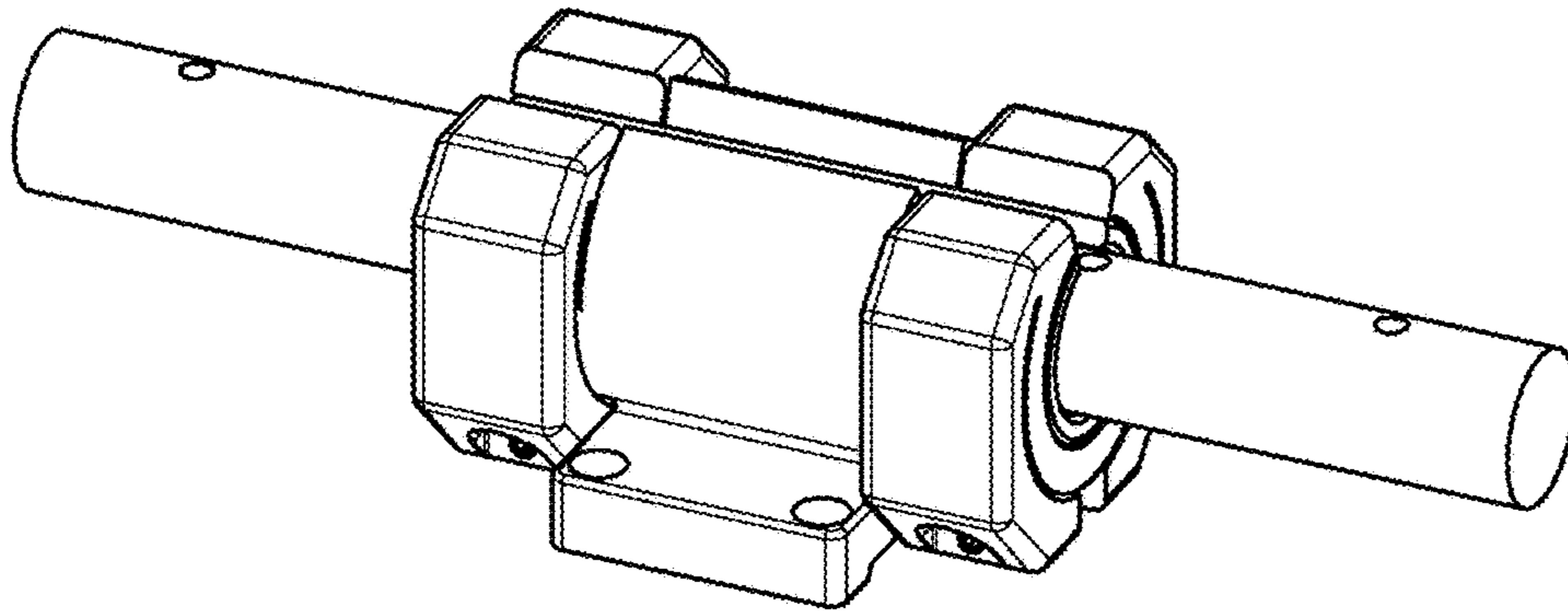


FIG. 6

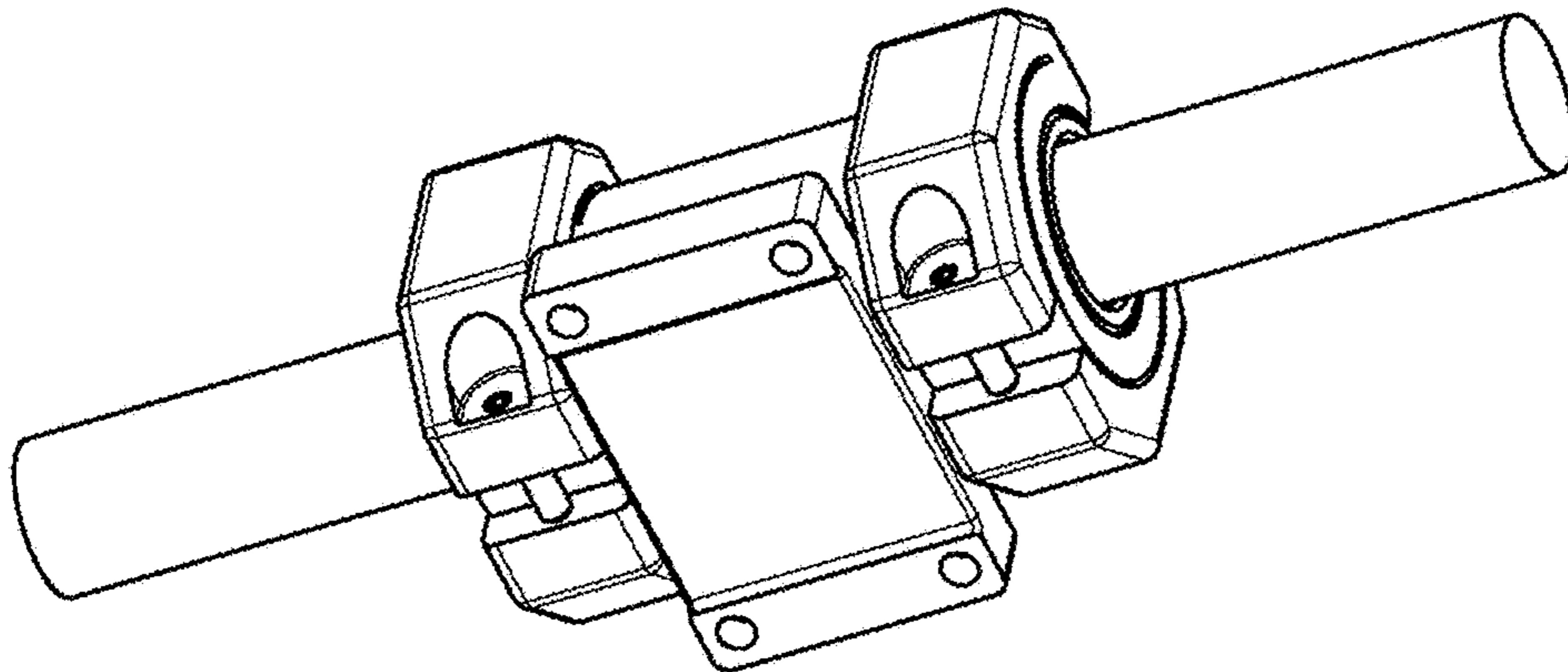


FIG. 7