



US00D800810S

(12) **United States Design Patent**
Hynek et al.

(10) **Patent No.:** **US D800,810 S**

(45) **Date of Patent:** **** Oct. 24, 2017**

- (54) **LINEAR GUIDEWAY**
- (71) Applicants: **Martin Hynek**, Plzen (CZ); **Antonin Max**, Plzen (CZ); **Jan Klepacek**, Line (CZ)
- (72) Inventors: **Martin Hynek**, Plzen (CZ); **Antonin Max**, Plzen (CZ); **Jan Klepacek**, Line (CZ)
- (73) Assignee: **ZAPADOCESKA UNIVERZITA V PLZNI**, Plzen (CZ)
- (**) Term: **15 Years**
- (21) Appl. No.: **29/565,840**
- (22) Filed: **May 25, 2016**
- (51) **LOC (10) Cl.** **15-09**
- (52) **U.S. Cl.**
USPC **D15/143**
- (58) **Field of Classification Search**
USPC D15/136, 143, 199, 7, 149, 5; D10/85, D10/46; D25/119; D26/138; 184/5, 184/105.3; 384/13, 45, 49, 51, 53, 55, 7
CPC .. F16C 29/005; F16C 29/0676; F16C 29/063; F16H 2025/2034; F28F 3/12; B23Q 5/34; E04F 11/1842
See application file for complete search history.

- 5,429,438 A * 7/1995 Wood F16C 29/02 384/26
- D363,297 S * 10/1995 Yoshikawa D15/143
- D373,963 S * 9/1996 Nagai D10/85
- 5,915,840 A * 6/1999 Zaguroli, Jr. F16C 29/005 384/53
- D412,714 S * 8/1999 Nagai D15/149
- D413,129 S * 8/1999 Nagai D15/199
- D489,829 S * 5/2004 Barnett D25/119
- D489,830 S * 5/2004 Barnett D25/119
- 6,756,707 B2 * 6/2004 Hochhalter F16H 25/20 310/20
- D554,164 S * 10/2007 Naruse D15/143
- 7,383,670 B1 * 6/2008 Meyers E04F 13/081 156/71
- D574,865 S * 8/2008 Cheng D10/46
- D587,731 S * 3/2009 Niedermeyer D15/136
- D587,733 S * 3/2009 Niedermeyer D15/143
- D599,387 S * 9/2009 Chuo D15/143
- D621,090 S * 8/2010 Klu D26/138
- D649,687 S * 11/2011 Trzesniowski D26/138

(Continued)

Primary Examiner — Caron D Veynar
Assistant Examiner — Katelin G Kloberg

(57) **CLAIM**

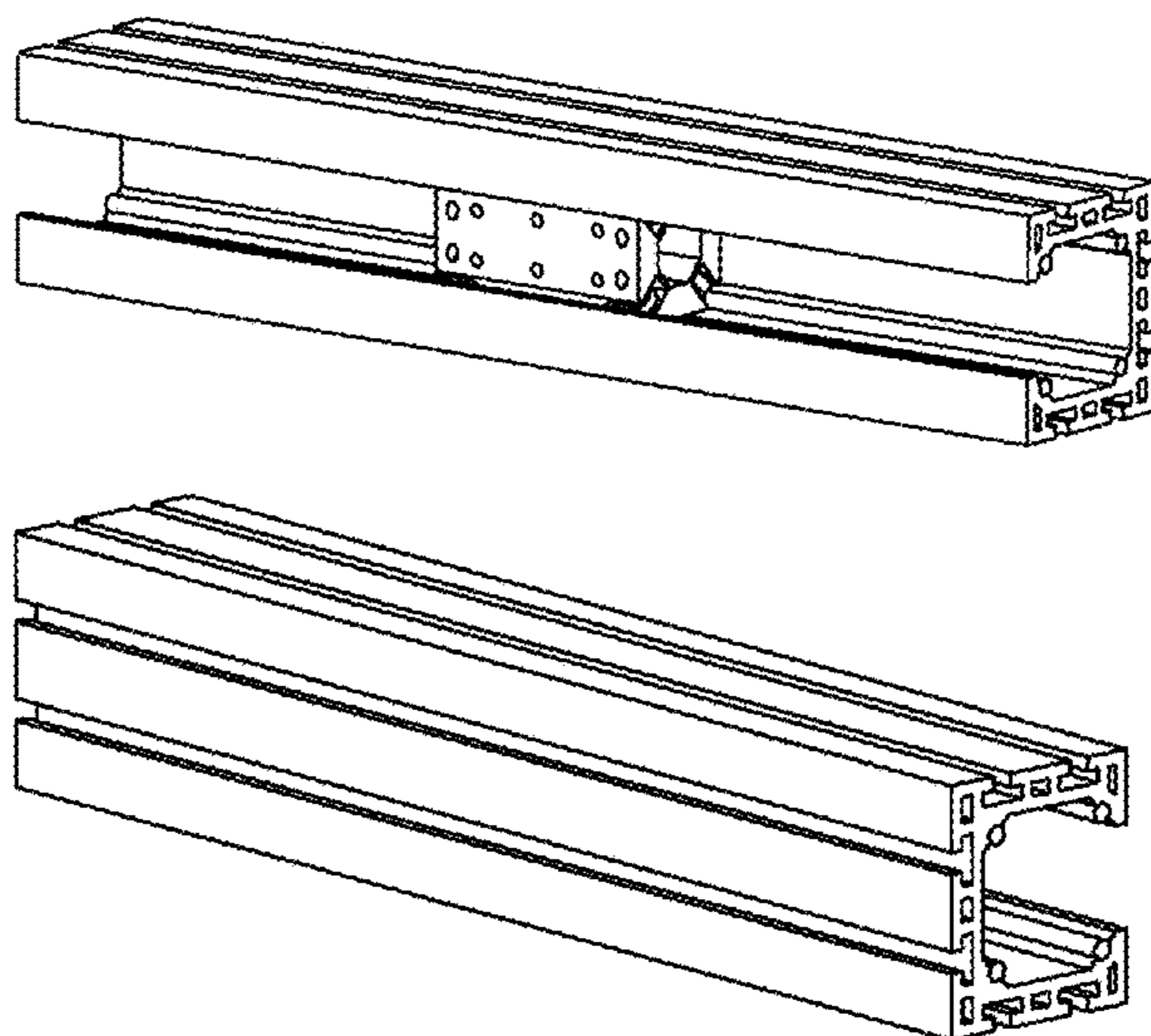
The ornamental design for a linear guideway, as shown and described.

DESCRIPTION

FIG. 1 is a front elevational view of a linear guideway showing my new design;
FIG. 2 is a top plan view thereof; the bottom plan view is a mirror image of the top plan view;
FIG. 3 is a left side elevational view thereof; a right side elevational view is a mirror image of the left side elevational view;
FIG. 4 is a front, top, right perspective view thereof;
FIG. 5 is a rear, top, left perspective view thereof; and,
FIG. 6 is a left, top, front perspective view thereof.

1 Claim, 2 Drawing Sheets

- (56) **References Cited**
U.S. PATENT DOCUMENTS
- 3,938,854 A * 2/1976 Teramachi B23Q 1/40 384/45
- 4,040,679 A * 8/1977 Teramachi B23Q 1/40 384/45
- 4,502,737 A * 3/1985 Osawa F16C 29/0607 384/45
- 5,131,125 A * 7/1992 Coron B23Q 1/58 198/346.1
- D351,848 S * 10/1994 Yamazaki D15/143



(56)

References Cited

U.S. PATENT DOCUMENTS

D651,739 S *	1/2012	Trzesniowski	D26/138	2007/0076989 A1*	4/2007	Matsumoto	F16C 29/0638
D652,568 S *	1/2012	Trzesniowski	D26/138					384/45
D652,985 S *	1/2012	Trzesniowski	D26/138	2008/0149303 A1*	6/2008	Chang	H02K 41/03
D652,986 S *	1/2012	Trzesniowski	D26/138					165/80.2
D657,406 S *	4/2012	Saito	D15/143	2008/0149424 A1*	6/2008	Chen	F16N 21/02
D664,169 S *	7/2012	Shirai	D15/143					184/105.3
D665,123 S *	8/2012	Douglas	D26/138	2010/0040312 A1*	2/2010	Rudy	F16C 29/005
D695,953 S *	12/2013	Klu	D26/138					384/7
D695,955 S *	12/2013	Klus	D26/138	2010/0162582 A1*	7/2010	Shiao	F16C 29/00
D704,238 S *	5/2014	Fukano	D15/143					33/708
2004/0234179 A1*	11/2004	Chen	F16C 29/04	2013/0193777 A1*	8/2013	Sommerhalter, Jr.	H02K 41/031
				384/49					310/12.02
2005/0019545 A1*	1/2005	Riebel	C08L 3/02	2013/0259409 A1*	10/2013	Tsao	F16C 33/6659
				428/304.4					384/13
2005/0265639 A1*	12/2005	Bauer	B23Q 1/017	2016/0073547 A1*	3/2016	Maloney	H05K 7/02
				384/45					211/26
2006/0231335 A1*	10/2006	Lin	F16C 29/0609	2016/0108955 A1*	4/2016	Kuo	F16C 29/0638
				184/5					384/55

* cited by examiner

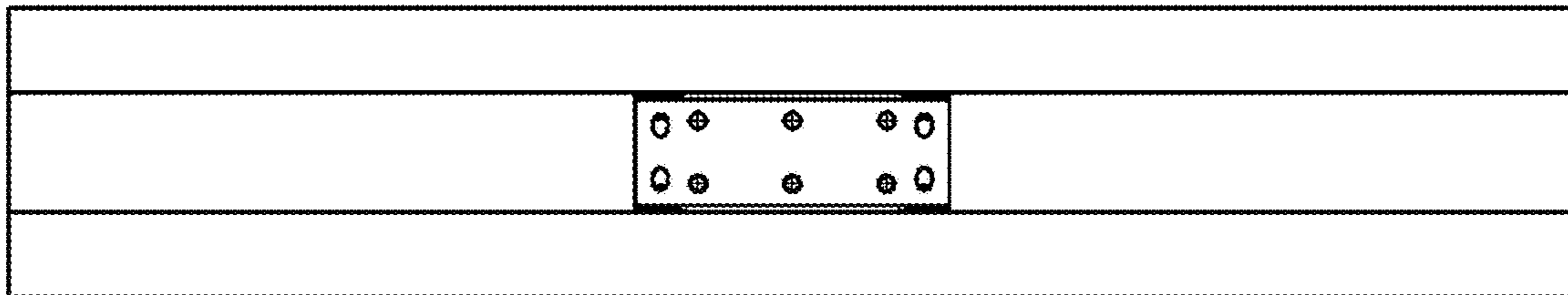


FIG. 1

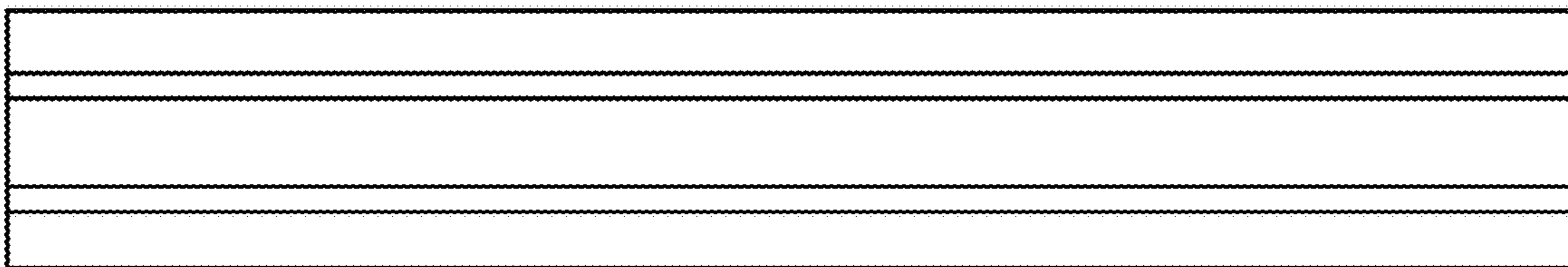


FIG. 2

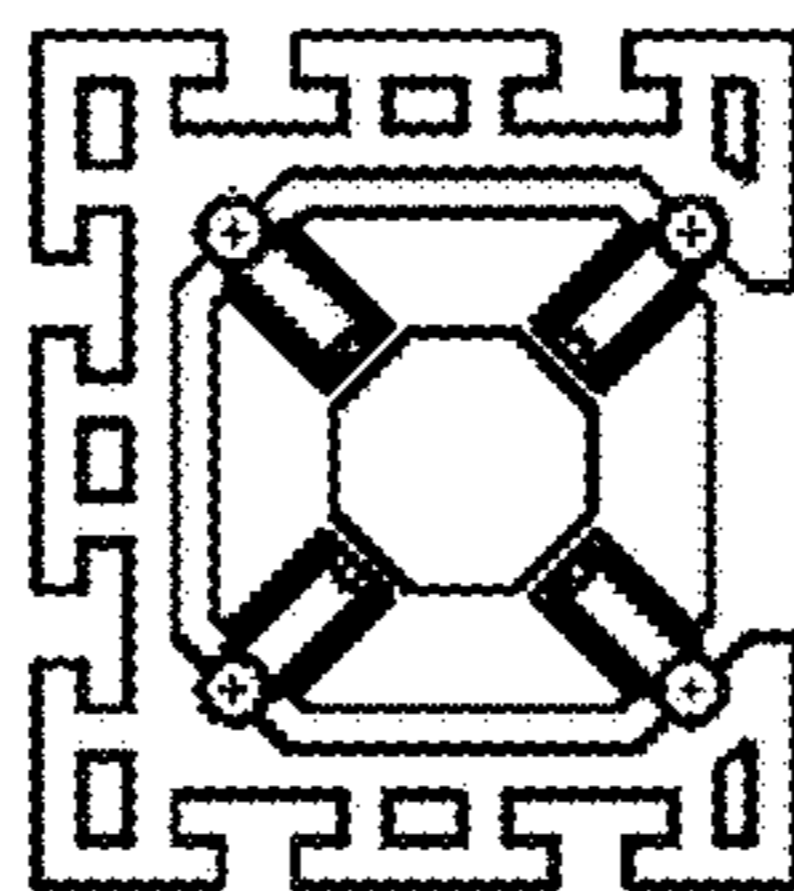


FIG. 3

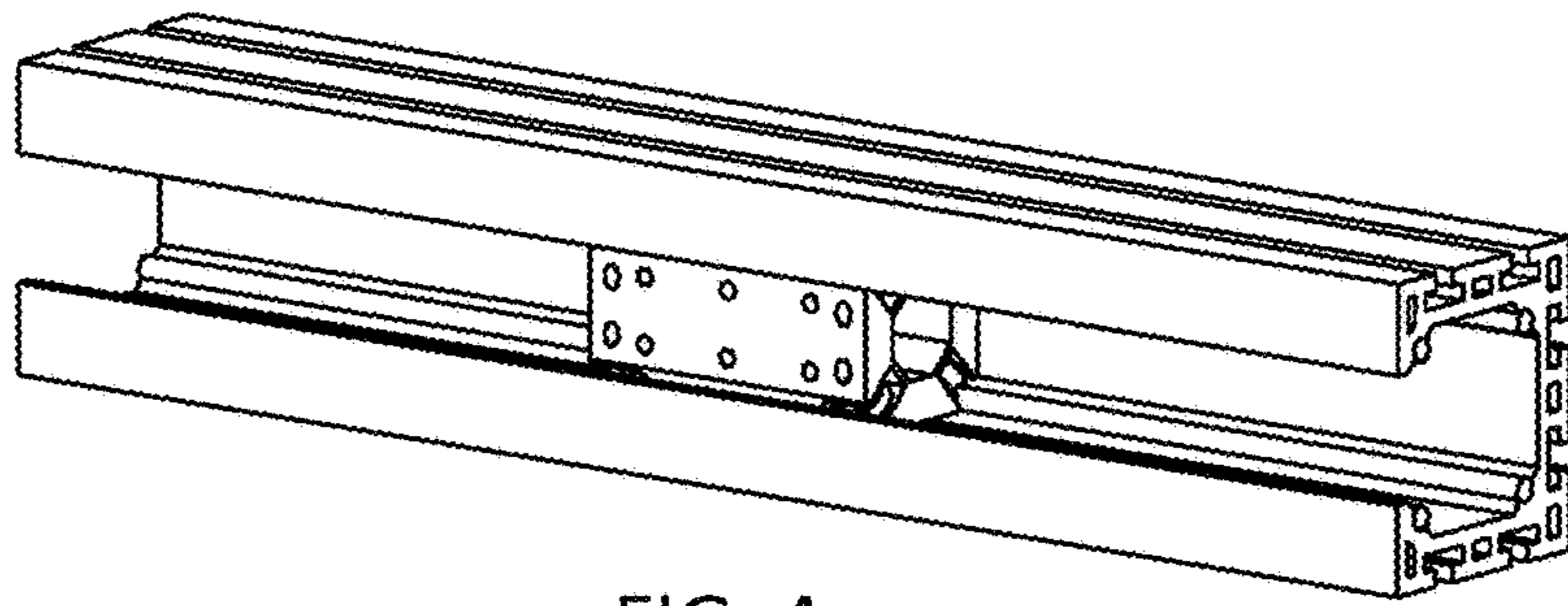


FIG. 4

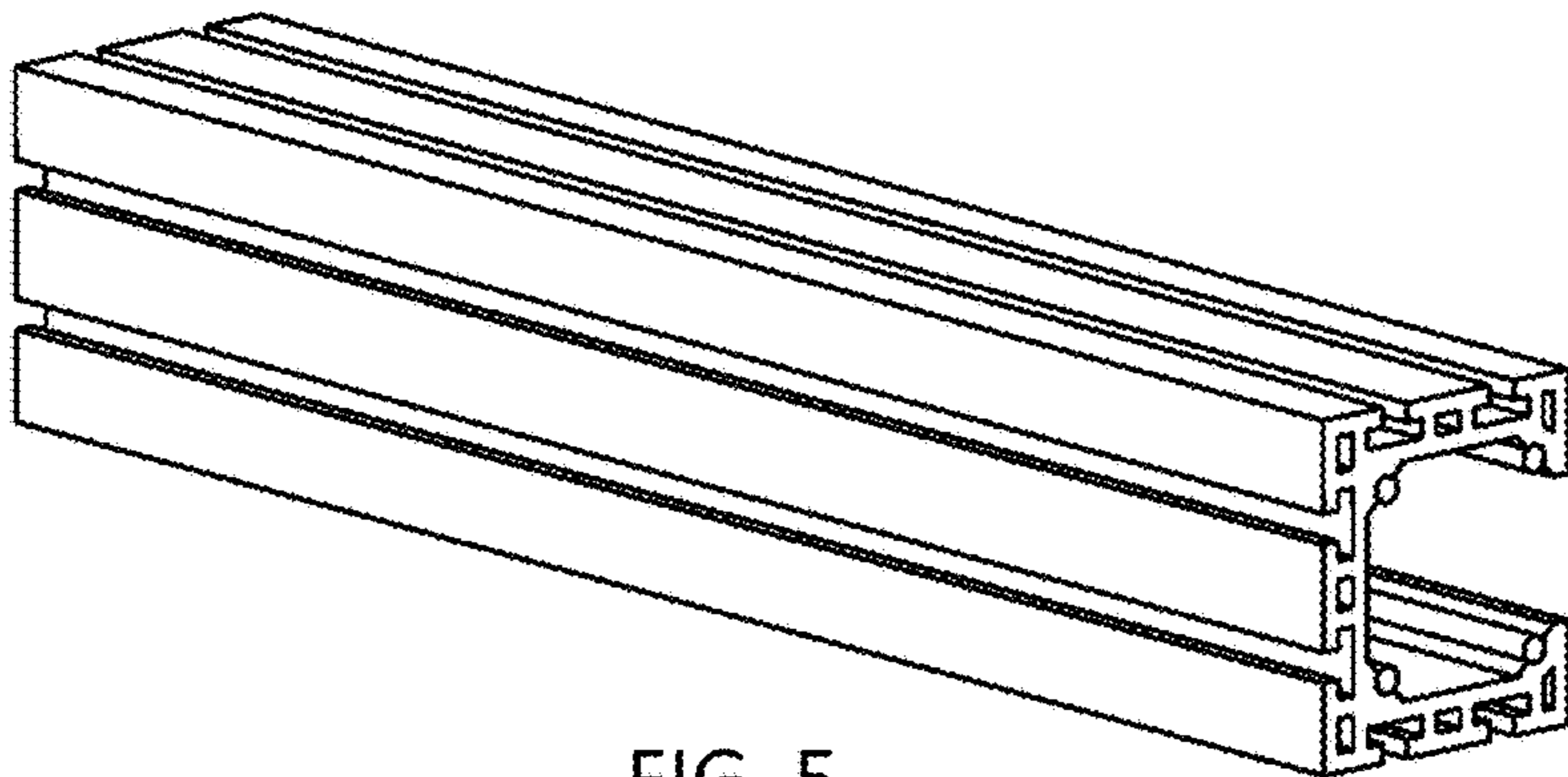


FIG. 5

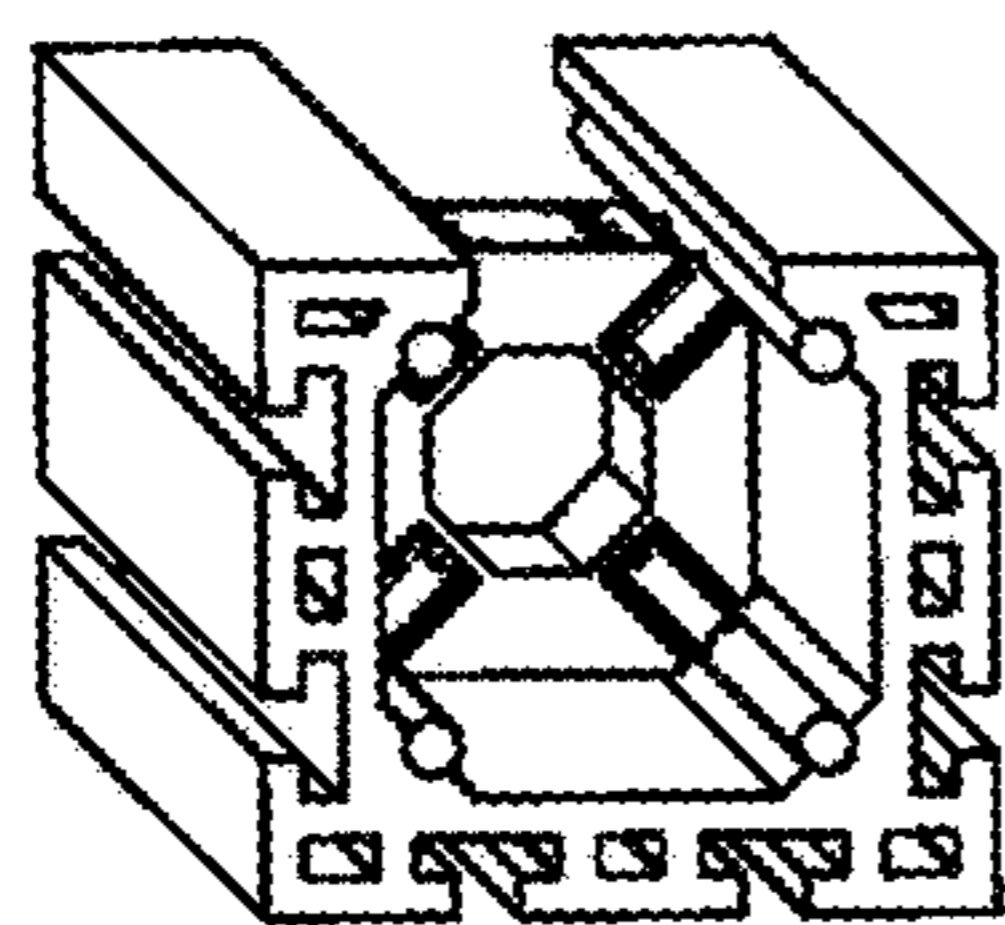


FIG. 6