



US00D800808S

(12) **United States Design Patent** (10) **Patent No.:** **US D800,808 S**  
**Schollmayer et al.** (45) **Date of Patent:** **\*\* Oct. 24, 2017**

(54) **STIRRER**

OTHER PUBLICATIONS

(71) Applicant: **UMICORE AG & CO KG,**  
Hanau-Wolfgang (DE)

U.S. Appl. No. 29/572,347, filed Jul. 27, 2016, Schollmayer, et al.  
(Continued)

(72) Inventors: **Jörg Schollmayer**, Mainz (DE);  
**Michael Heitzenröther**, Alzenau (DE)

*Primary Examiner* — Patricia Palasik  
(74) *Attorney, Agent, or Firm* — Smith, Gambrell &  
Russell, LLP

(73) Assignee: **UMICORE AG & CO. KG,**  
Hanau-Wolfgang (DE)

(\*\*) Term: **15 Years**

(57) **CLAIM**

The ornamental design for a stirrer, as shown and described.

(21) Appl. No.: **29/572,349**

(22) Filed: **Jul. 27, 2016**

**DESCRIPTION**

**Related U.S. Application Data**

(63) Continuation of application No.  
PCT/EP2016/053642, filed on Feb. 22, 2016.

(51) **LOC (10) Cl.** ..... **15-09**

(52) **U.S. Cl.**  
USPC ..... **D15/138**

(58) **Field of Classification Search**  
USPC ..... D7/376; D15/135, 138, 144, 147;  
D32/26

(Continued)

(56) **References Cited**

**U.S. PATENT DOCUMENTS**

2,570,079 A \* 10/1951 Spremulli ..... C03B 5/1875  
366/196

3,419,373 A 12/1968 Gould et al.  
(Continued)

**FOREIGN PATENT DOCUMENTS**

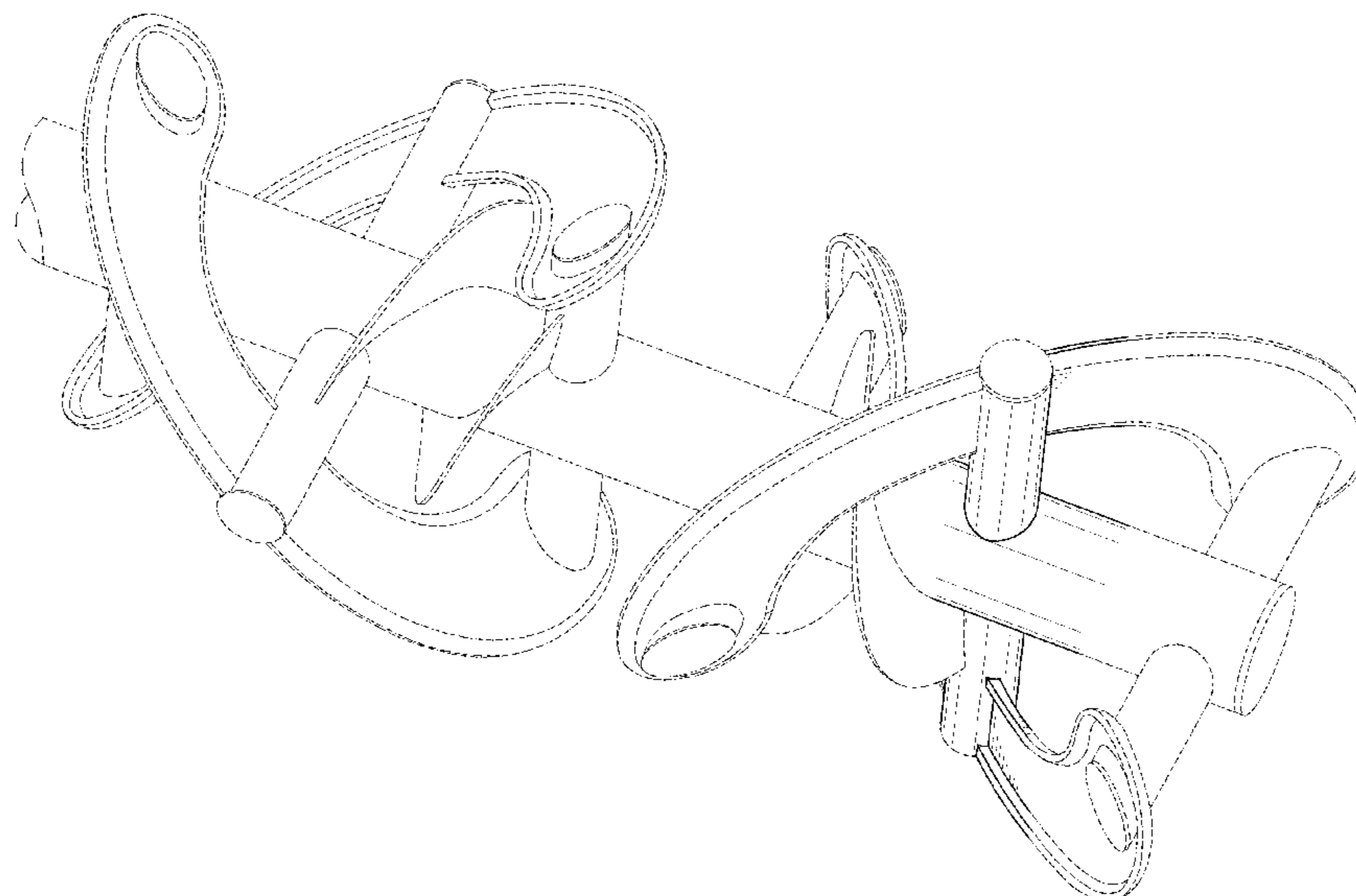
DE 830 879 C 2/1952  
DE 2 220 213 A1 11/1973

(Continued)

FIG. 1 shows a perspective view of an embodiment of the stirrer;  
FIG. 2 shows a top plan view of the stirrer shown in FIG. 1 (the bottom plan view being the same);  
FIG. 3 shows a front elevation view of the stirrer shown in FIG. 1 (the rear elevation view being the same);  
FIG. 4 shows a right side view of the stirrer shown in FIG. 1;  
FIG. 5 shows a left side view of the stirrer shown in FIG. 1;  
FIG. 6 shows a perspective view of another embodiment of the stirrer;  
FIG. 7 shows a top plan view of the stirrer shown in FIG. 6 (the bottom plan view being the same);  
FIG. 8 shows a front elevation view of the stirrer shown in FIG. 6 (the rear elevation view being the same);  
FIG. 9 shows a right side view of the stirrer shown in FIG. 6; and,  
FIG. 10 shows a left side view of the stirrer shown in FIG. 6.

Details shown in broken lines illustrate portions of the stirrer that form no part of the claimed design. Absent a statement otherwise, portions of the article not shown form no part of the claimed design.

**1 Claim, 10 Drawing Sheets**



# US D800,808 S

Page 2

(58) **Field of Classification Search**

CPC ..... B01F 7/001; B01F 7/004; B01F 7/005;  
B01F 7/00033; B01F 7/00125; B01F  
7/00141; B01F 7/00416; B01F 7/00541;  
B01F 7/00908; C03B 5/187; C03B  
5/1672; C03B 5/1675; C03B 5/1875;  
C03B 7/092

See application file for complete search history.

D761,056 S \* 7/2016 Kemker ..... D7/376  
D788,197 S \* 5/2017 Ford ..... D15/138  
2005/0083782 A1 4/2005 Gronau et al.  
2007/0003654 A1 1/2007 Morimoto  
2008/0282738 A1\* 11/2008 Yoshida ..... B01F 7/004  
65/178  
2009/0025428 A1 1/2009 Naumann et al.  
2013/0051173 A1 2/2013 Braeker et al.

(56)

**References Cited**

U.S. PATENT DOCUMENTS

4,054,272 A \* 10/1977 Cooke ..... B01F 7/00141  
366/327.3  
D314,263 S \* 1/1991 Mueller ..... D32/26  
D316,100 S \* 4/1991 Kief ..... 366/129  
5,611,221 A \* 3/1997 Tremel ..... D06F 13/02  
192/46  
D399,091 S \* 10/1998 Rubin ..... D7/376  
D421,030 S \* 2/2000 Panaccione ..... D15/147  
6,296,068 B1 \* 10/2001 Frederick ..... A01C 5/04  
111/116  
6,352,122 B1 \* 3/2002 Love ..... A01B 1/00  
172/22  
D474,567 S \* 5/2003 Clark ..... D32/26  
D474,568 S \* 5/2003 Clark ..... D32/26  
D485,654 S \* 1/2004 Clark ..... D32/26  
D524,329 S \* 7/2006 Sheperd ..... D15/28  
D557,984 S \* 12/2007 Kozlowski ..... D7/412  
D618,056 S \* 6/2010 Sly ..... D7/376  
7,740,401 B2 \* 6/2010 Kozlowski ..... A47J 43/042  
366/317  
D682,640 S \* 5/2013 Motosko ..... D8/7  
8,434,329 B2 5/2013 Singer  
D735,468 S \* 8/2015 Goldszer ..... D3/17  
D747,143 S \* 1/2016 Schomacher ..... D7/376

FOREIGN PATENT DOCUMENTS

DE 198 09 878 A1 9/1999  
DE 10 2008 017 045 A1 10/2009  
EP 0 160 830 A1 11/1985  
EP 1 524 027 A2 4/2005  
EP 2 353 707 A1 8/2011  
EP 2 505 562 A1 10/2012  
JP S54-118454 U 8/1979  
JP S63-134040 A 6/1988  
JP H01-129231 U 9/1989  
JP H04-160018 A 6/1992  
JP H10-265226 A 10/1998  
JP 2004-307302 11/2004  
WO 03/078337 A1 9/2003  
WO 2006/007778 A1 1/2006  
WO 2010/098328 A1 9/2010  
WO 2011/020625 A1 2/2011

OTHER PUBLICATIONS

U.S. Appl. No. 29/572,350, filed Jul. 27, 2016, Schollmayer, et al.  
International Search Report for International Application No. PCT/  
EP2016/053642 mailed Jun. 30, 2016 (9 pages).  
Written Opinion of International Application No. PCT/EP2016/  
053642 mailed Jun. 30, 2016. (10 pages).

\* cited by examiner

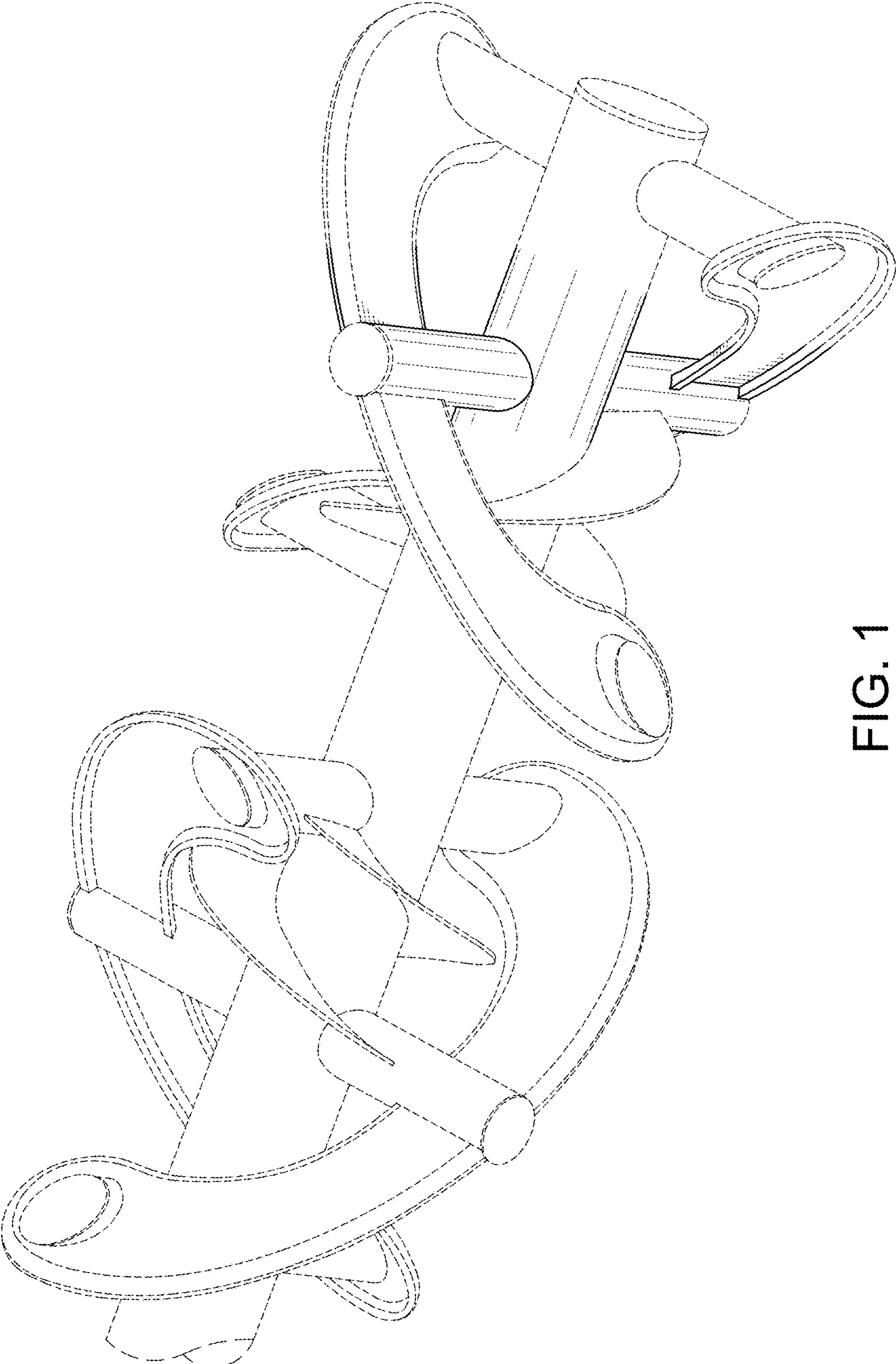


FIG. 1

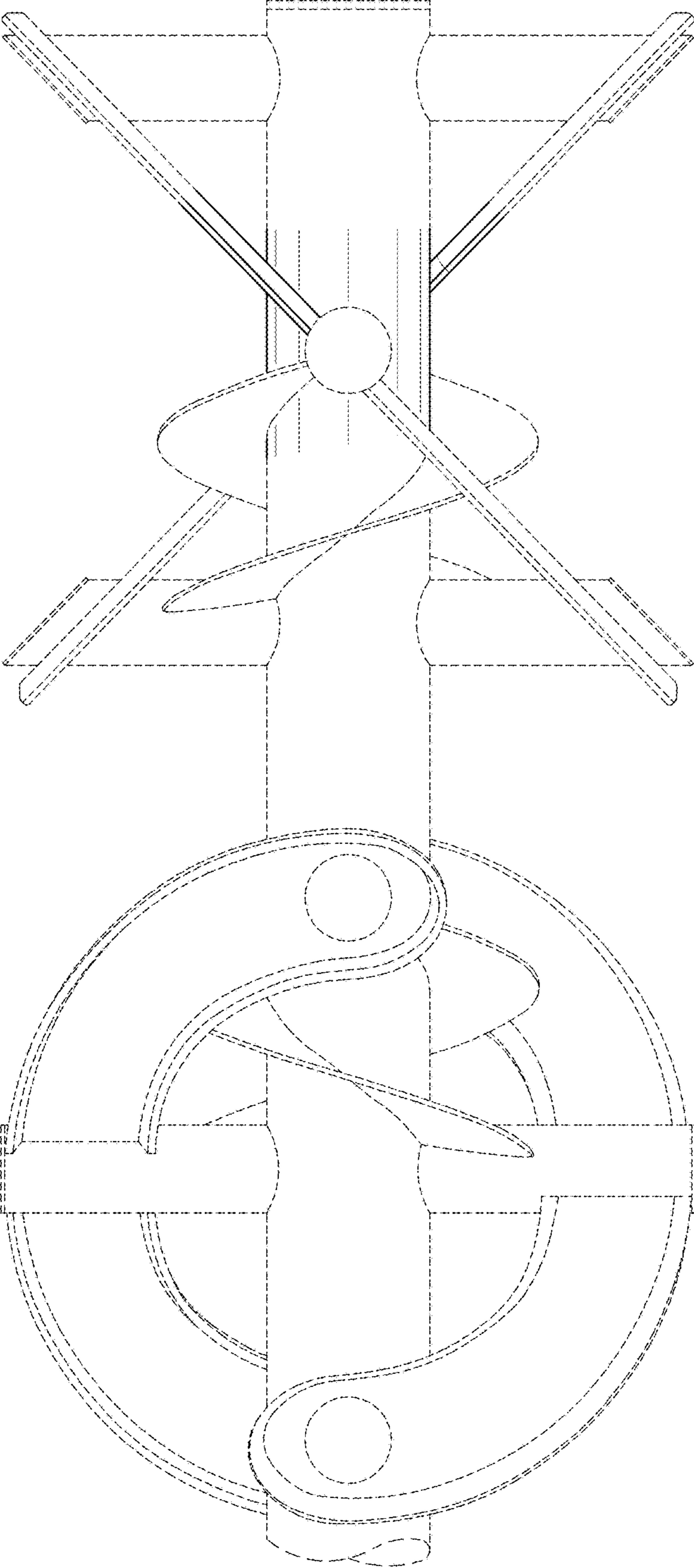


FIG. 2

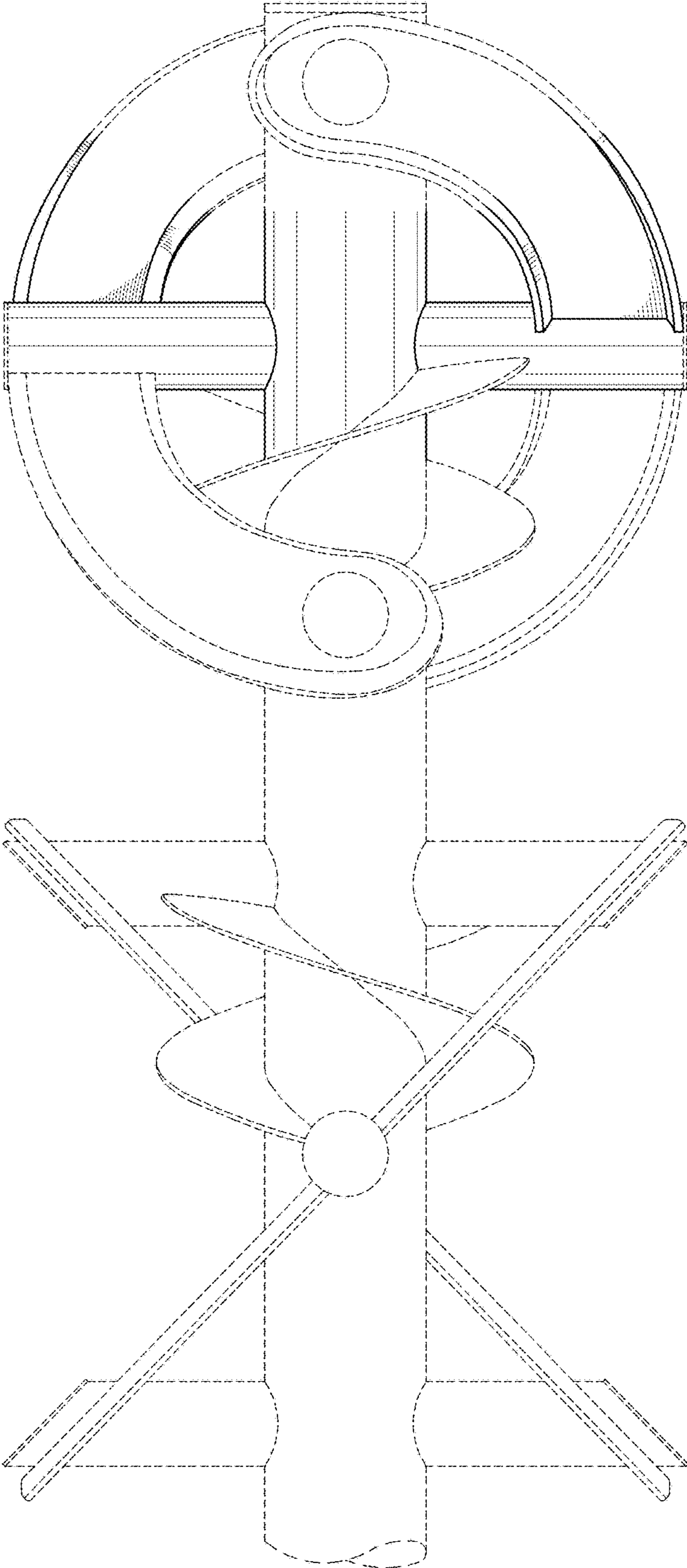


FIG. 3

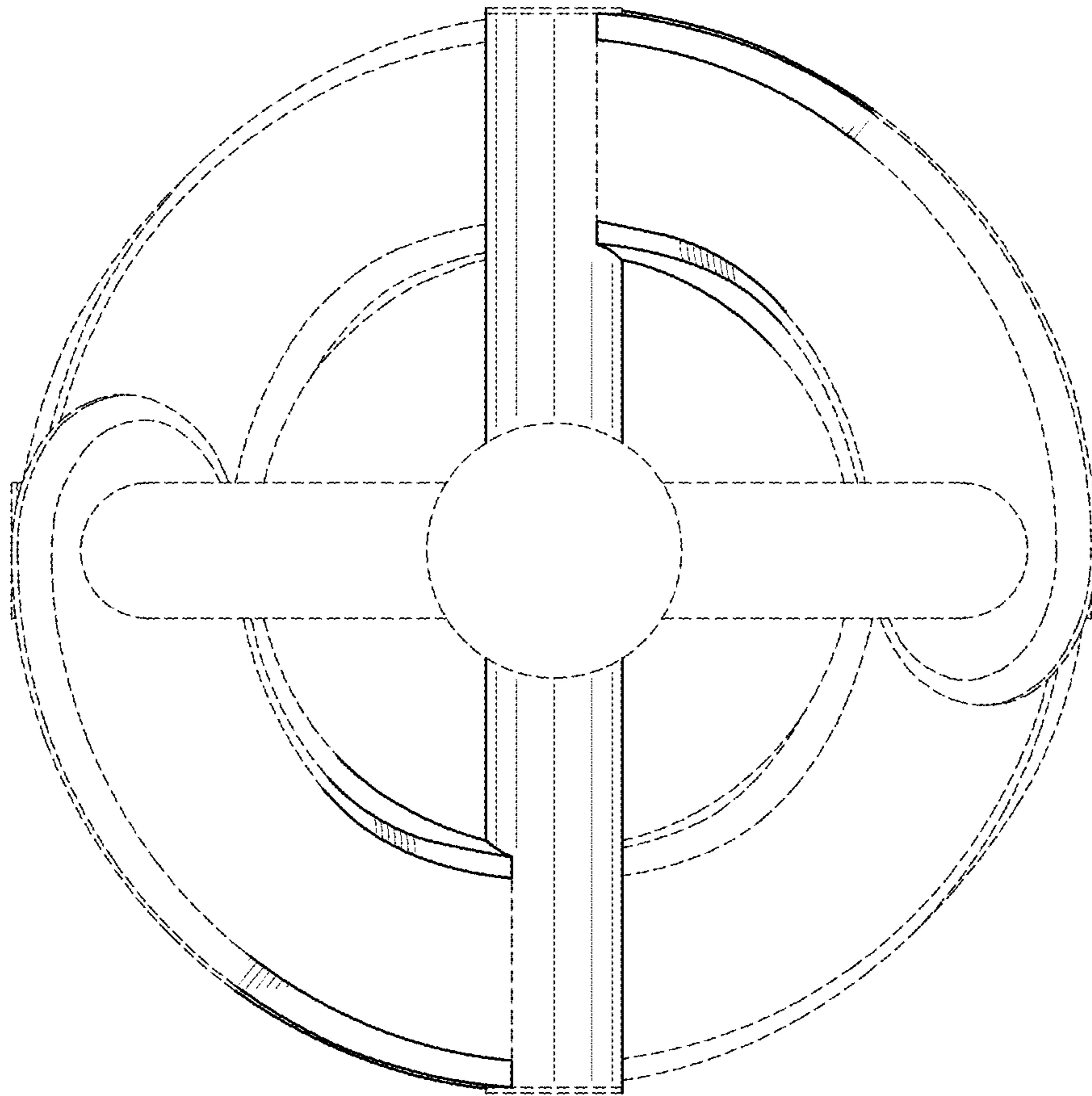


FIG. 4

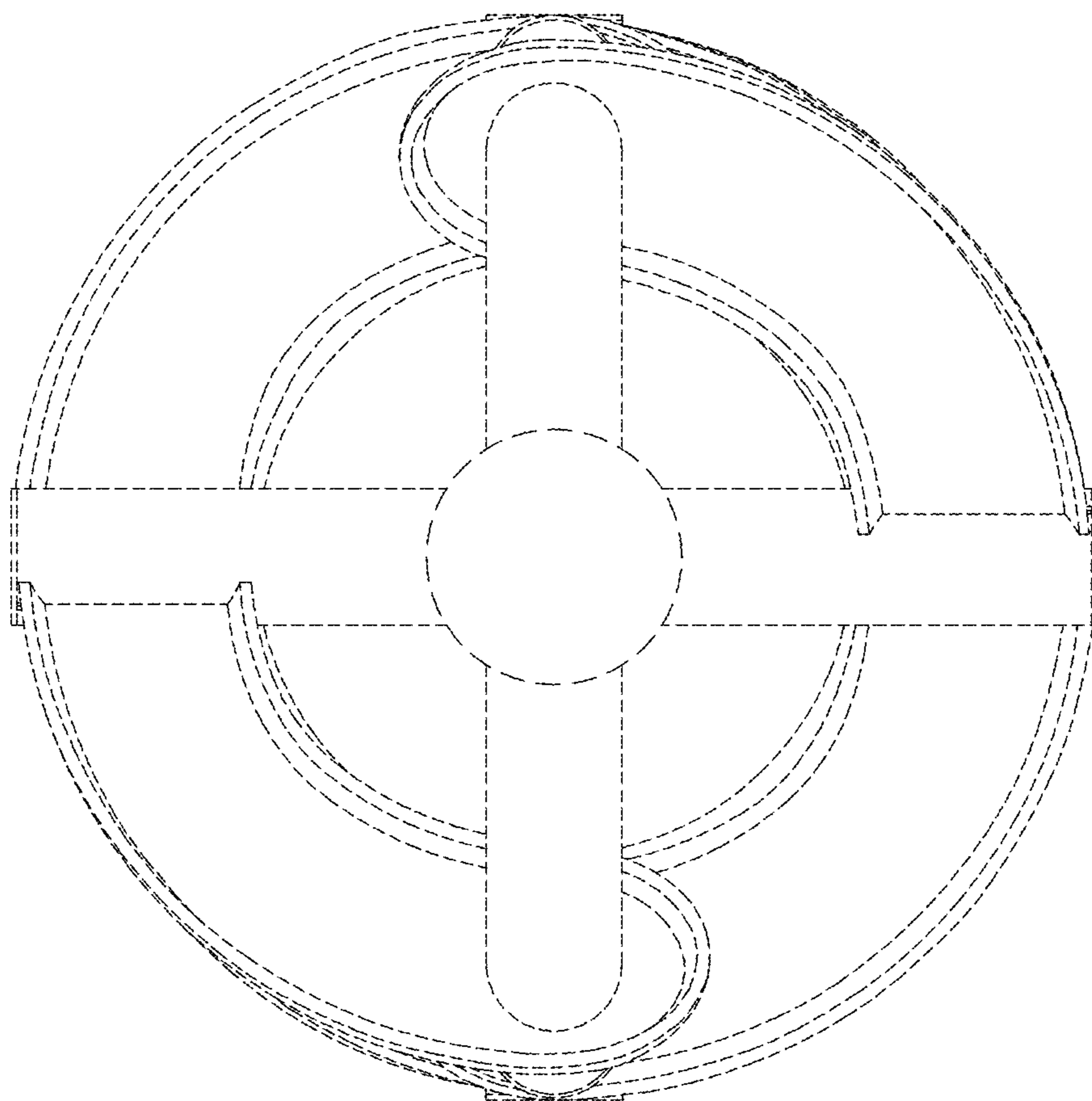


FIG. 5

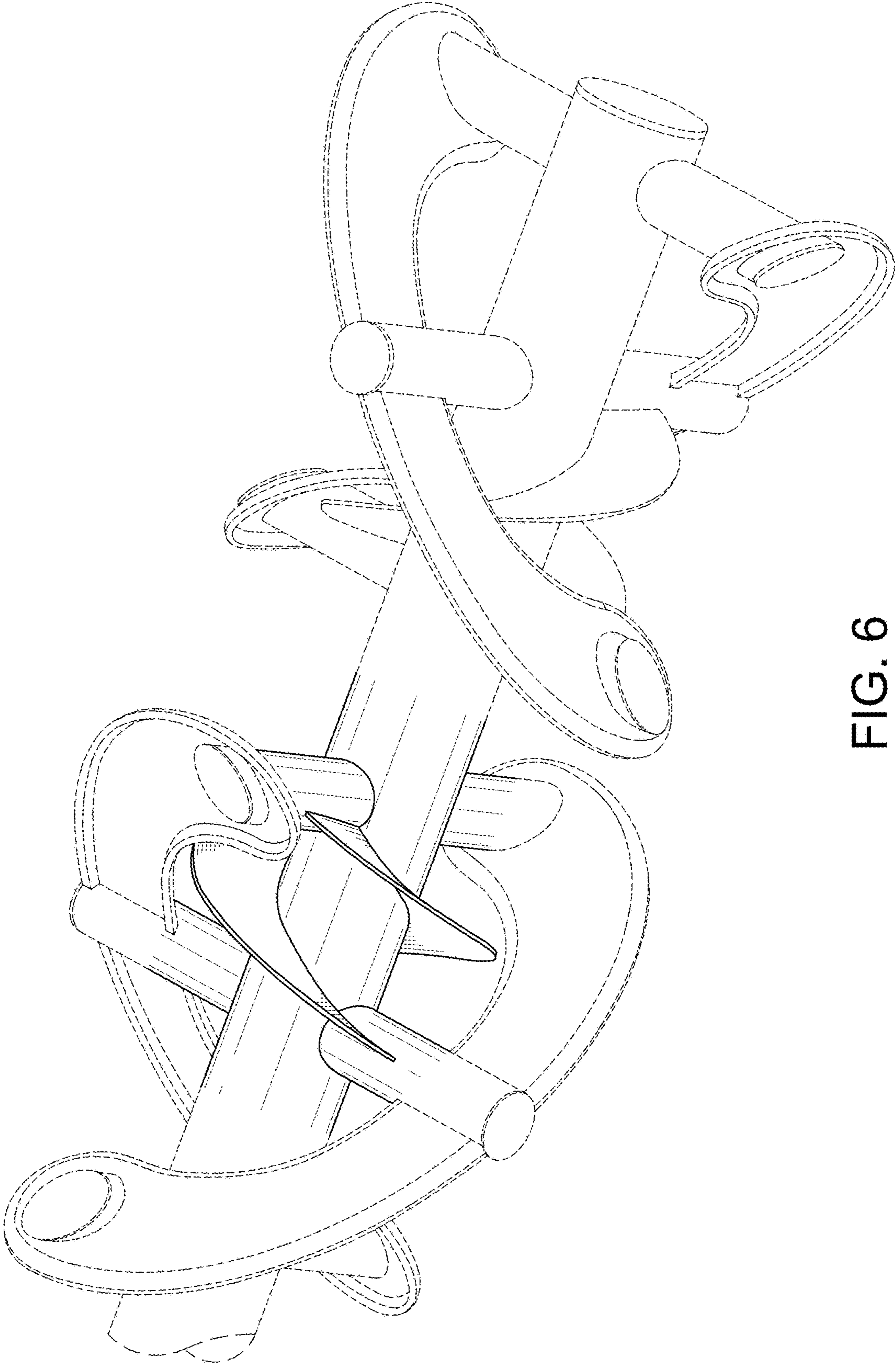


FIG. 6



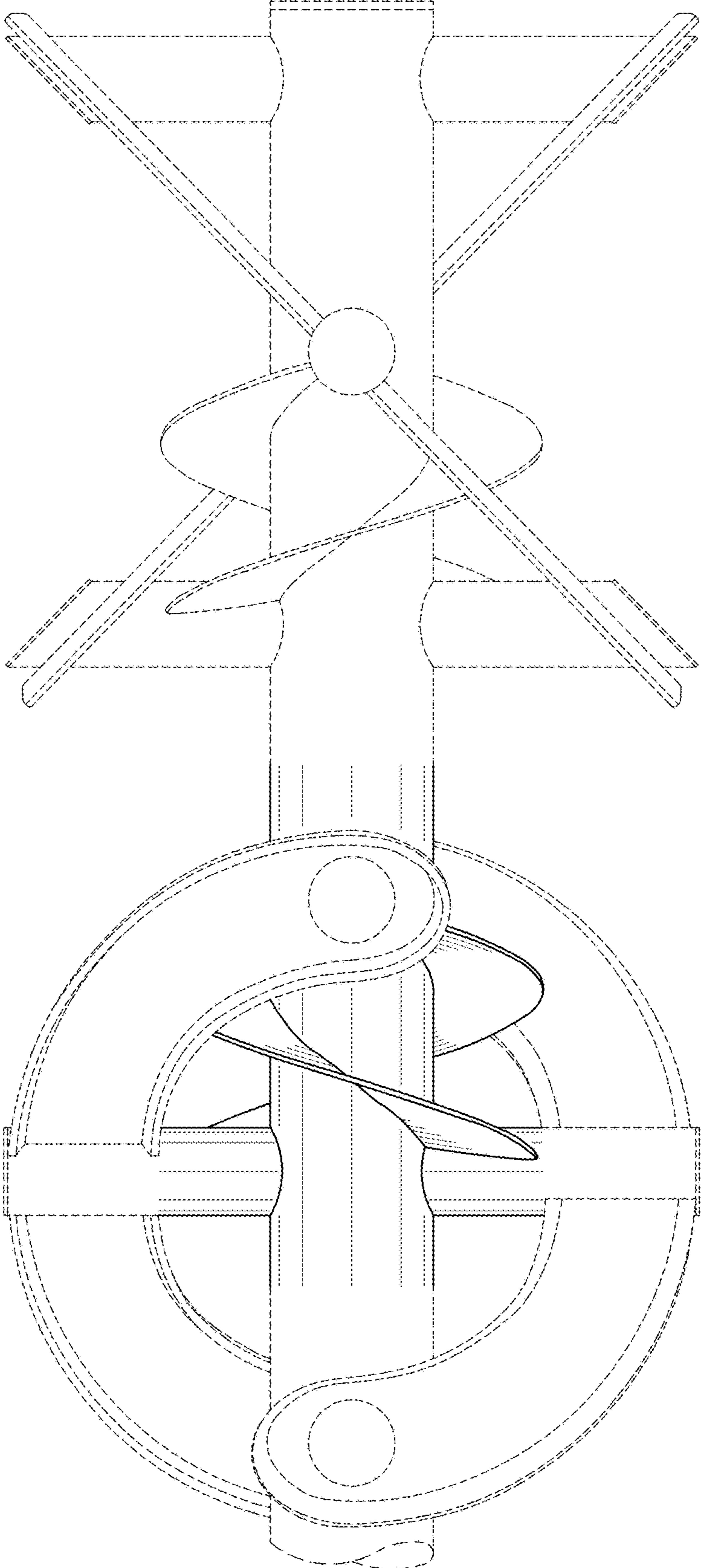


FIG. 7

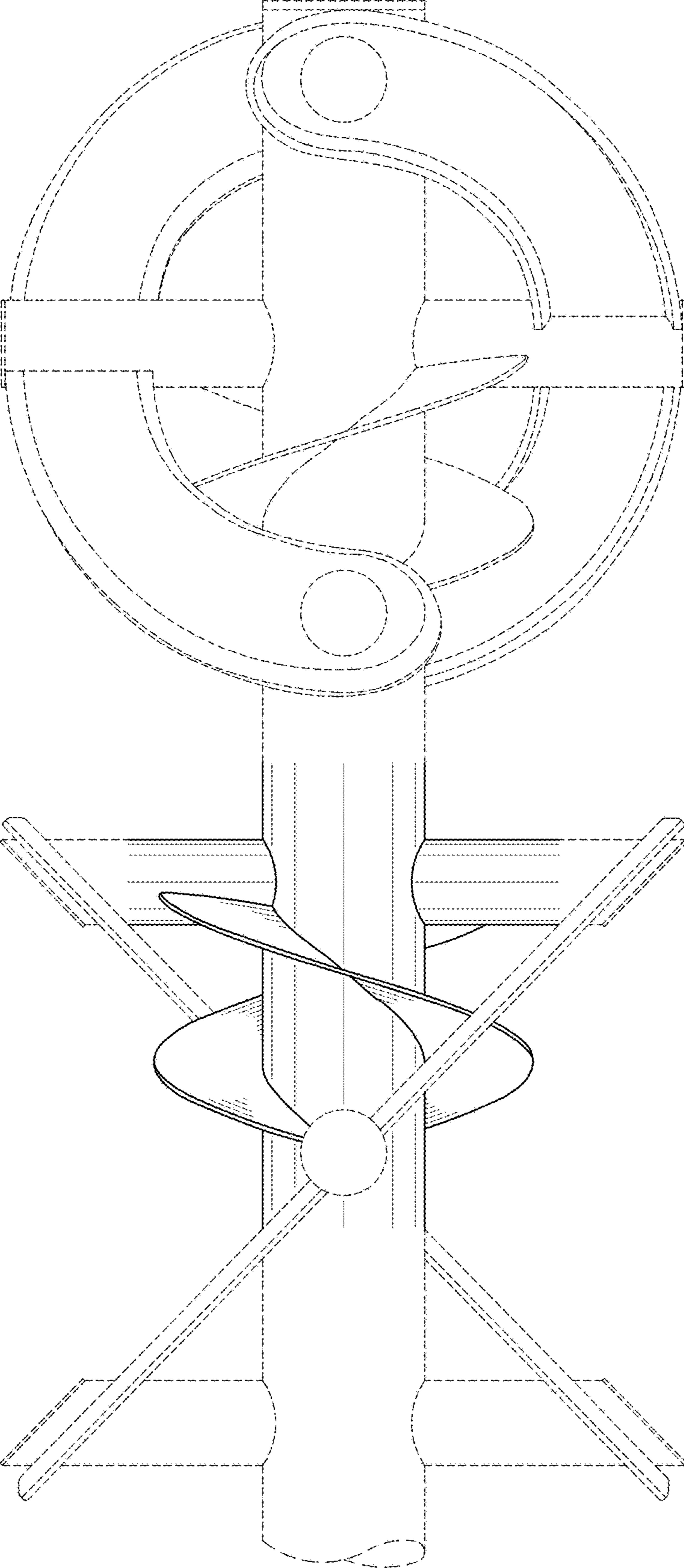


FIG. 8

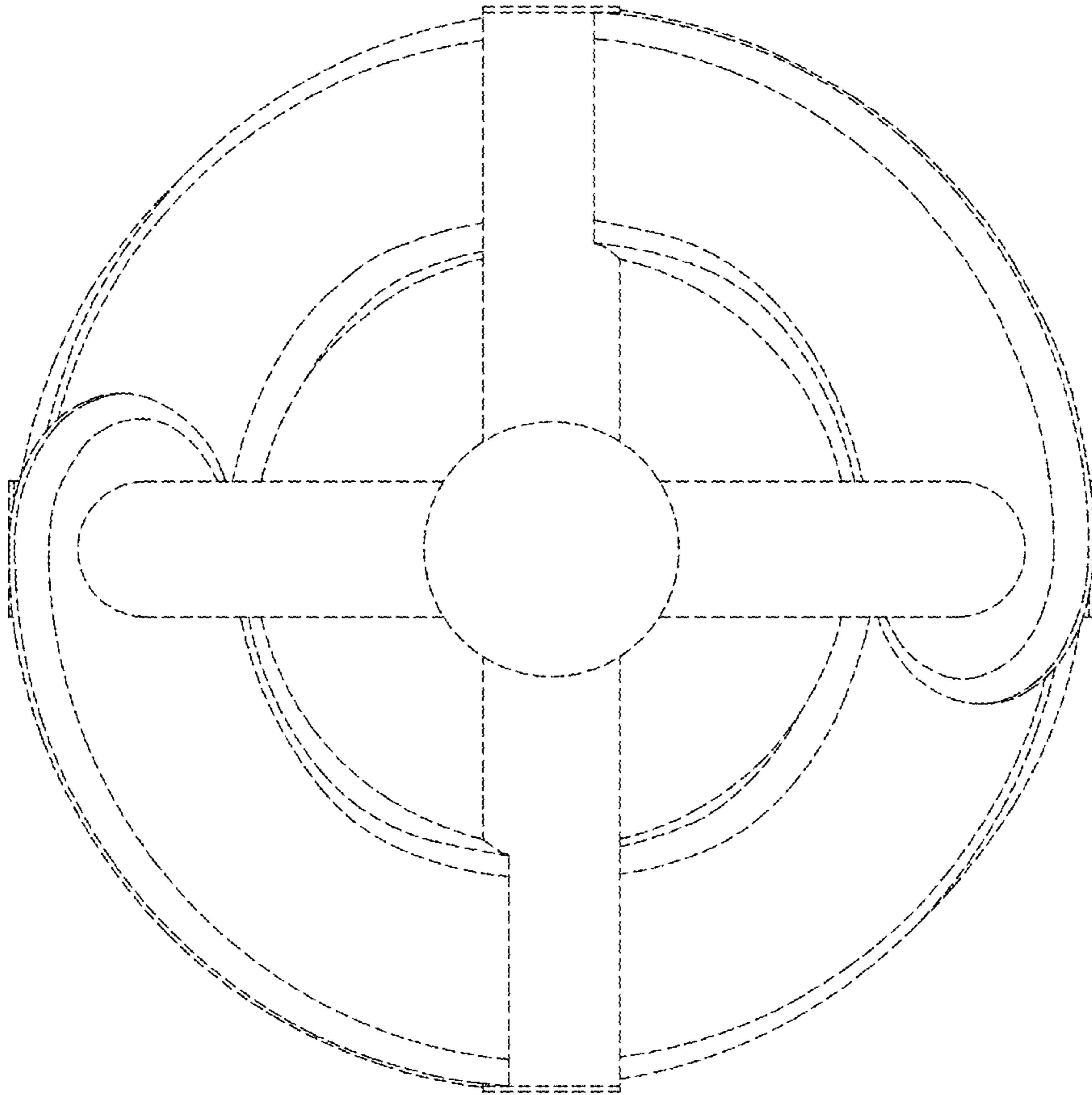


FIG. 9

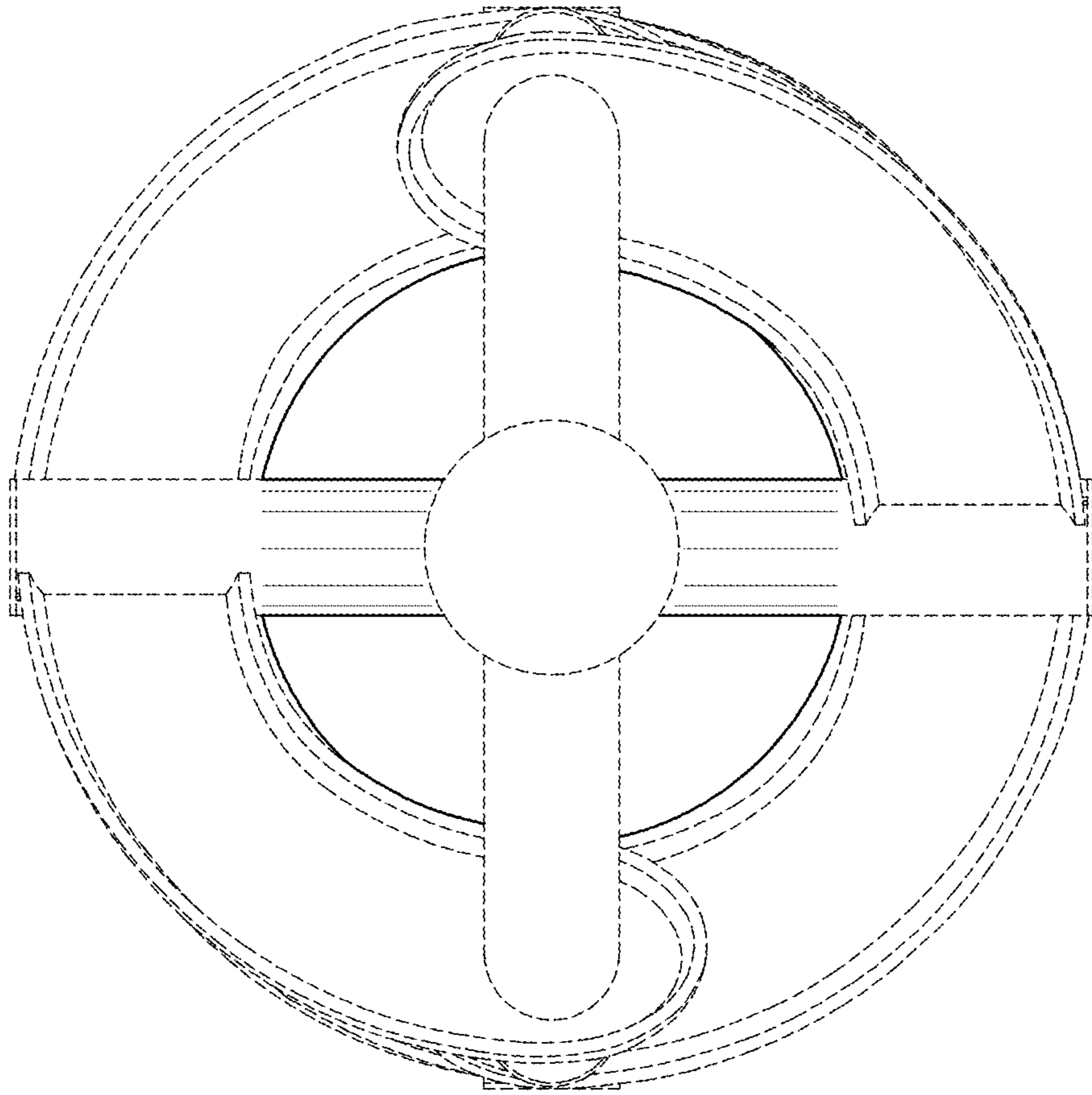


FIG. 10