



US00D800807S

(12) **United States Design Patent** (10) **Patent No.:** **US D800,807 S**
Schollmayer et al. (45) **Date of Patent:** **** Oct. 24, 2017**

(54) **STIRRER** 4,054,272 A * 10/1977 Cooke B01F 7/00141
366/327.3
(71) Applicant: **UMICORE AG & CO KG.,** D314,263 S * 1/1991 Mueller D32/26
Hanau-Wolfgang (DE) D316,100 S * 4/1991 Kief 366/129
5,611,221 A * 3/1997 Tremel D06F 13/02
192/46

(72) Inventors: **Jörg Schollmayer**, Mainz (DE);
Michael Heitzenröther, Alzenau (DE)

(Continued)

(73) Assignee: **UMICORE AG & CO. KG,**
Hanau-Wolfgang (DE)

FOREIGN PATENT DOCUMENTS

(**) Term: **15 Years**

DE 830 879 C 2/1952
DE 2 220 213 A1 11/1973

(Continued)

(21) Appl. No.: **29/572,347**

OTHER PUBLICATIONS

(22) Filed: **Jul. 27, 2016**

U.S. Appl. No. 29/572,349, filed Jul. 27, 2016, Schollmayer, et al.
(Continued)

Related U.S. Application Data

(63) Continuation of application No.
PCT/EP2016/053642, filed on Feb. 22, 2016.

(51) **LOC (10) Cl.** **15-09**

(52) **U.S. Cl.**
USPC **D15/138**

(58) **Field of Classification Search**
USPC D7/376; D15/135, 138, 144, 147;
D32/26
CPC B01F 7/001; B01F 7/004; B01F 7/005;
B01F 7/00033; B01F 7/00125; B01F
7/00141; B01F 7/00416; B01F 7/00541;
B01F 7/00908; C03B 5/187; C03B
5/1672; C03B 5/1675; C03B 5/1875;
C03B 7/092

See application file for complete search history.

(56) **References Cited**

U.S. PATENT DOCUMENTS

2,570,079 A * 10/1951 Spemulli C03B 5/1875
366/196
3,419,373 A 12/1968 Gould et al.

Primary Examiner — Patricia Palasik
(74) *Attorney, Agent, or Firm* — Smith, Gambrell &
Russell, LLP

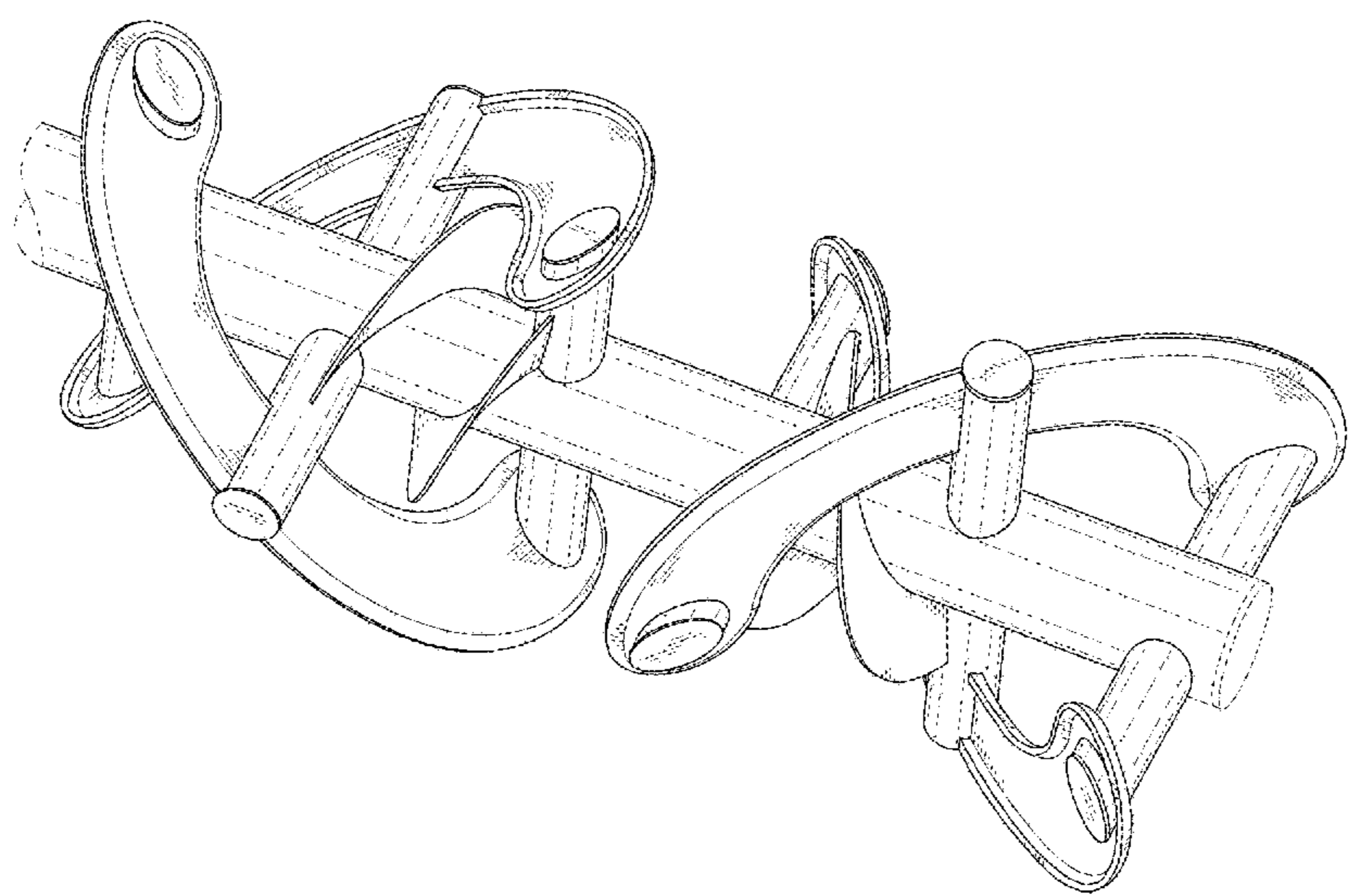
(57) **CLAIM**

The ornamental design for a stirrer, as shown and described.

DESCRIPTION

FIG. 1 shows a perspective view of an embodiment of the stirrer;
FIG. 2 shows a top plan view of the stirrer shown in FIG. 1 (the bottom plan view being the same);
FIG. 3 shows a front elevation view of the stirrer shown in FIG. 1 (the rear elevation view being the same);
FIG. 4 shows a right side view of the stirrer shown in FIG. 1; and,
FIG. 5 shows a left side view of the stirrer shown in FIG. 1. Details shown in broken lines illustrate portions of the stirrer that form no part of the claimed design. Absent a statement otherwise, portions of the article not shown form no part of the claimed design.

1 Claim, 5 Drawing Sheets



(56)

References Cited

U.S. PATENT DOCUMENTS

D399,091 S * 10/1998 Rubin D7/376
 D421,030 S * 2/2000 Panaccione D15/147
 6,296,068 B1 * 10/2001 Frederick A01C 5/04
 6,352,122 B1 * 3/2002 Love A01B 1/00
 111/116
 D474,567 S * 5/2003 Clark D32/26
 D474,568 S * 5/2003 Clark D32/26
 D485,654 S * 1/2004 Clark D32/26
 D524,329 S * 7/2006 Sheperd D15/28
 D557,984 S * 12/2007 Kozlowski D7/412
 D618,056 S * 6/2010 Sly D7/376
 7,740,401 B2 * 6/2010 Kozlowski A47J 43/042
 366/317
 D682,640 S * 5/2013 Motosko D8/7
 8,434,329 B2 5/2013 Singer
 D735,468 S * 8/2015 Goldszer D3/17
 D747,143 S * 1/2016 Schomacher D7/376
 D761,056 S * 7/2016 Kemker D7/376
 D788,197 S * 5/2017 Ford D15/138
 2005/0083782 A1 4/2005 Gronau et al.
 2007/0003654 A1 1/2007 Morimoto
 2008/0282738 A1 * 11/2008 Yoshida B01F 7/004
 65/178
 2009/0025428 A1 1/2009 Naumann et al.
 2013/0051173 A1 2/2013 Braecker et al.

FOREIGN PATENT DOCUMENTS

DE 198 09 878 A1 9/1999
 DE 10 2008 017 045 A1 10/2009
 EP 0 160 830 A1 11/1985
 EP 1 524 027 A2 4/2005
 EP 2 353 707 A1 8/2011
 EP 2 505 562 A1 10/2012
 JP S54-118454 U 8/1979
 JP S63-134040 A 6/1988
 JP H01-129231 U 9/1989
 JP H04-160018 A 6/1992
 JP H10-265226 A 10/1998
 JP 2004-307302 11/2004
 WO 03/078337 A1 9/2003
 WO 2006/007778 A1 1/2006
 WO 2010/098328 A1 9/2010
 WO 2011/020625 A1 2/2011

OTHER PUBLICATIONS

U.S. Appl. No. 29/572,350, filed Jul. 27, 2016, Schollmayer, et al.
 International Search Report for International Application No. PCT/EP2016/053642 mailed Jun. 30, 2016 (9 pages).
 Written Opinion of International Application No. PCT/EP2016/053642 mailed Jun. 30, 2016. (10 pages).

* cited by examiner

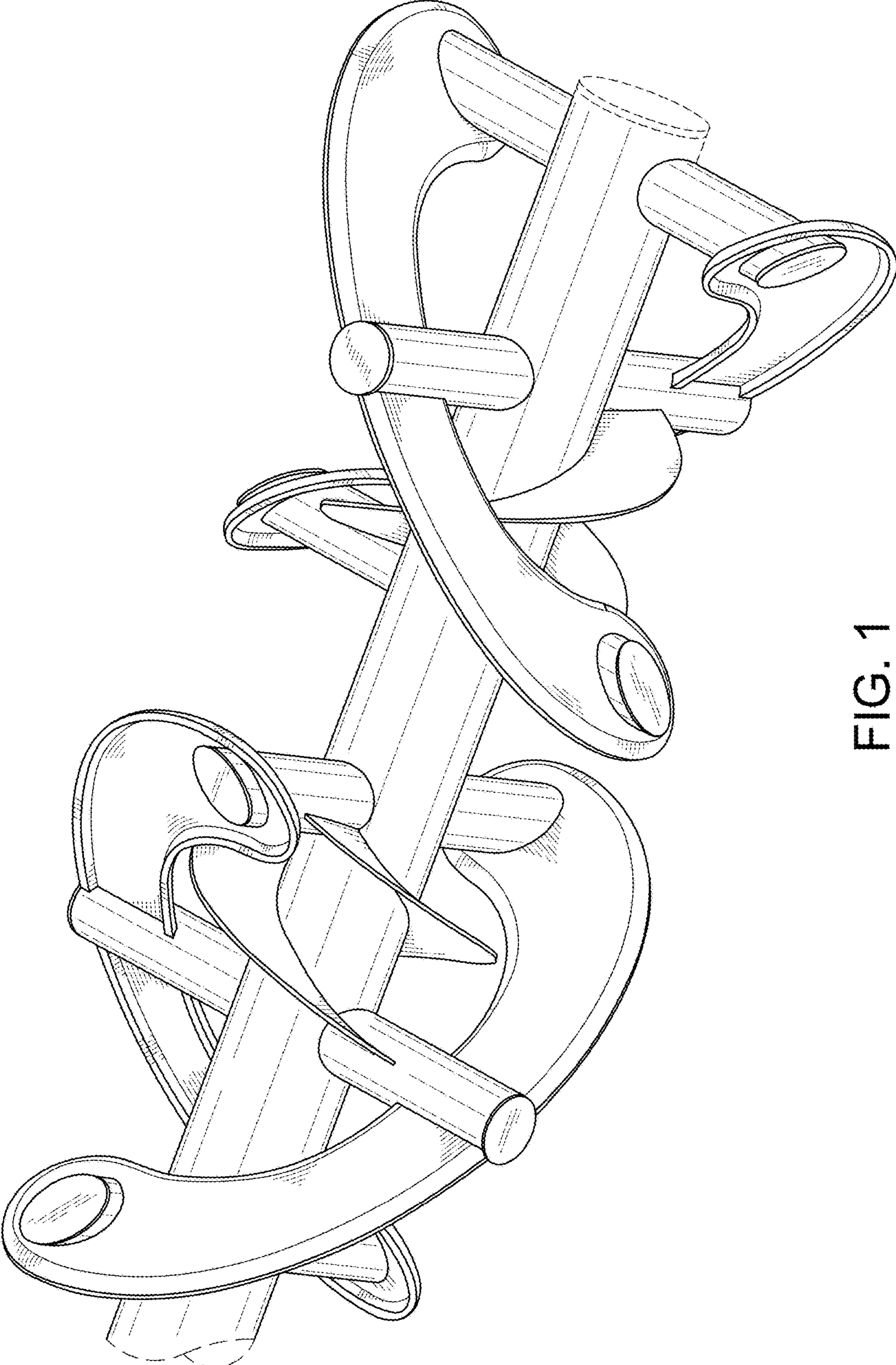


FIG. 1

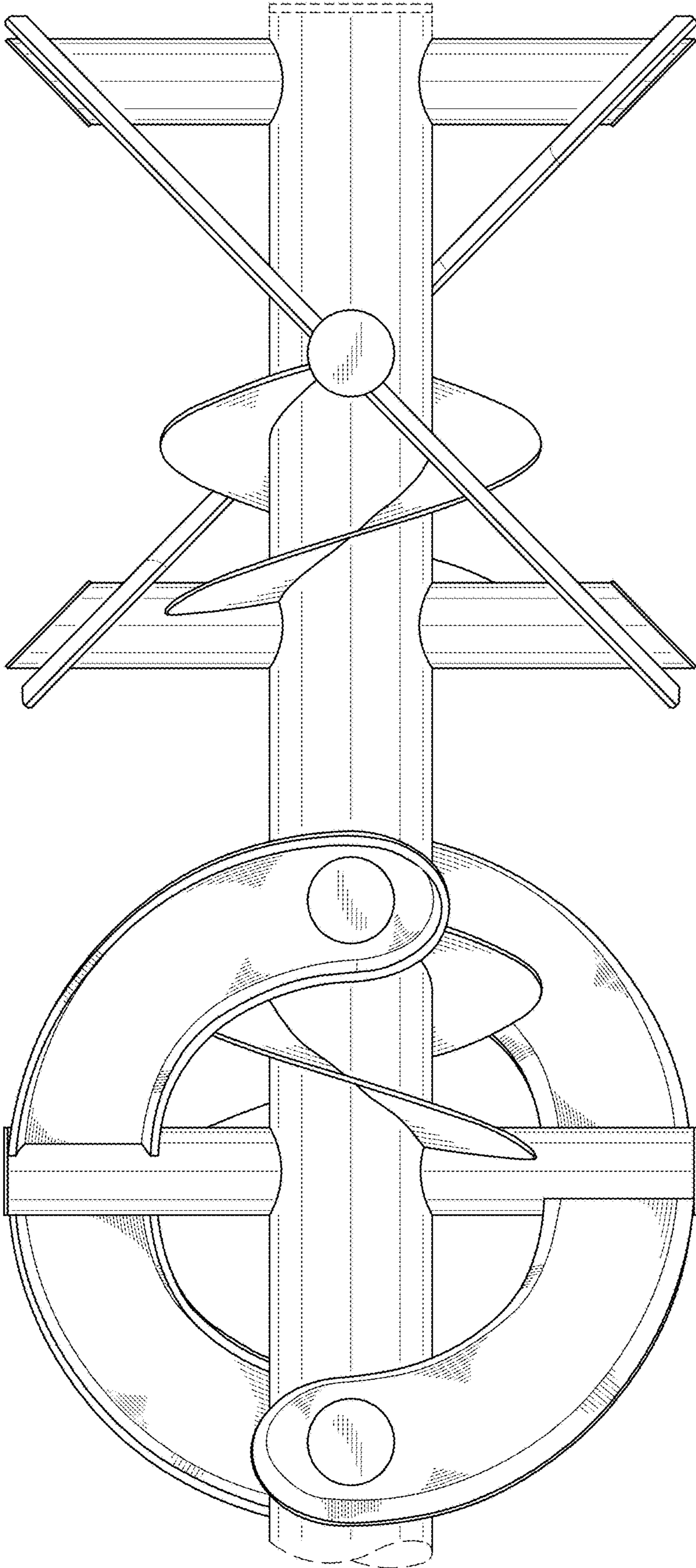


FIG. 2

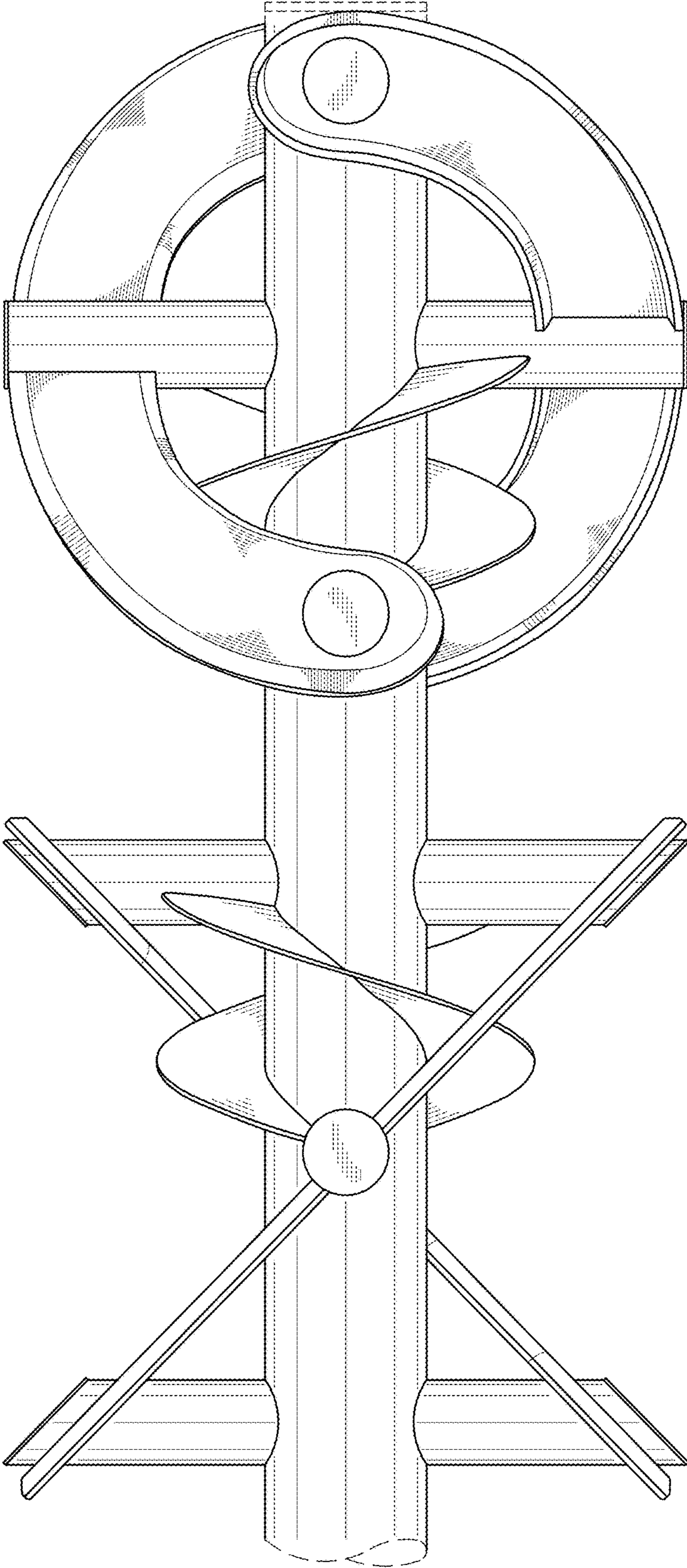


FIG. 3

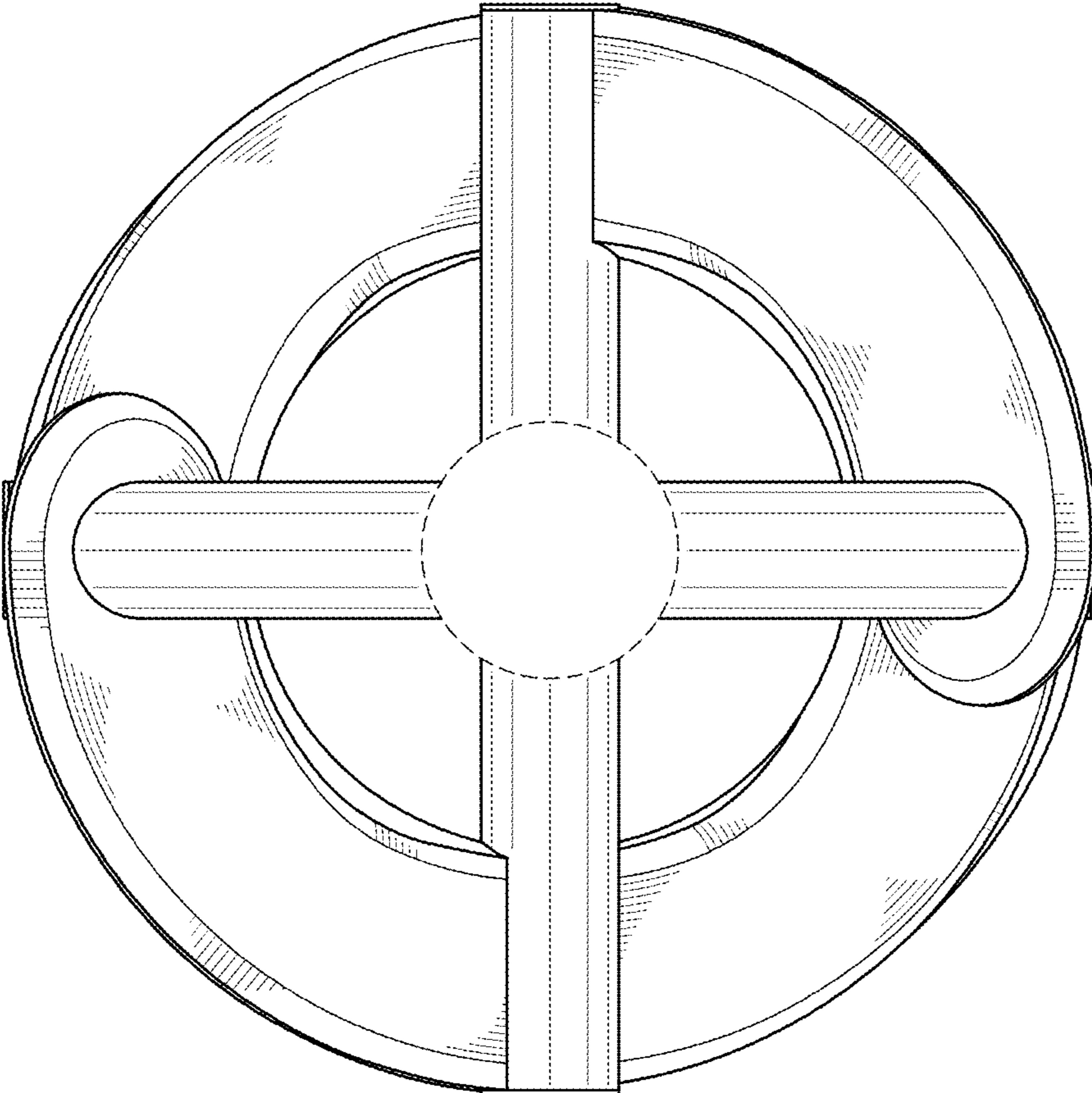


FIG. 4

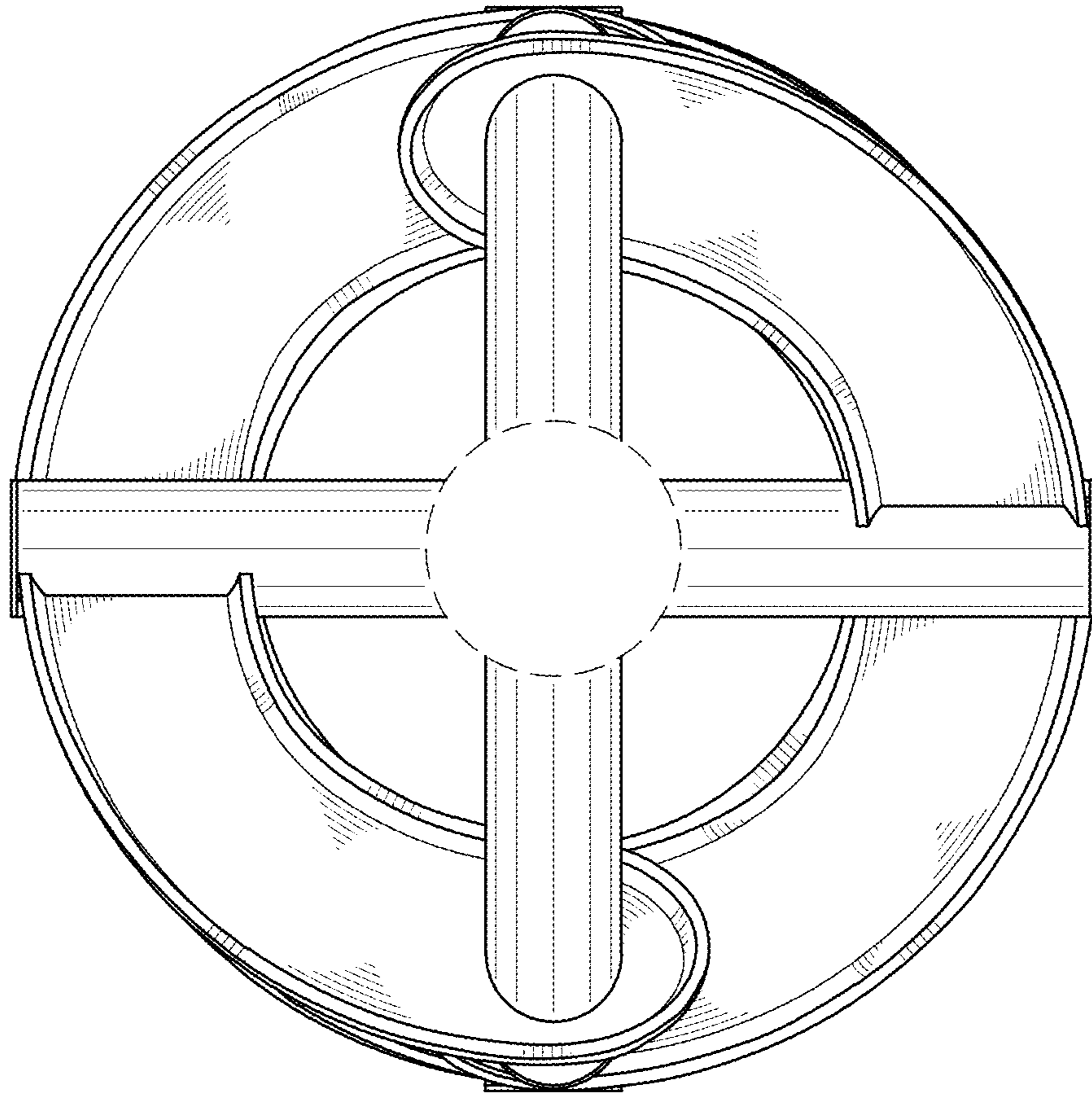


FIG. 5