



US00D800806S

(12) **United States Design Patent** (10) **Patent No.:** **US D800,806 S**  
**Rhode** (45) **Date of Patent:** **\*\* Oct. 24, 2017**

(54) **TAMPING TOOL**  
(71) Applicant: **Harsco Technologies LLC**, Fairmont, MN (US)  
(72) Inventor: **Jeff Tyler Rhode**, Anaheim Hills, CA (US)  
(73) Assignee: **Harsco Technologies LLC**, Fairmont, MN (US)  
(\*\*) Term: **15 Years**  
(21) Appl. No.: **29/561,140**  
(22) Filed: **Apr. 13, 2016**  
(51) **LOC (10) Cl.** ..... **15-09**  
(52) **U.S. Cl.**  
USPC ..... **D15/138; D8/14**  
(58) **Field of Classification Search**  
USPC ..... D8/14, 47, 75; D15/138  
CPC ..... B23K 1/0008; E01B 1/001; E01B 27/16; E01B 27/20  
See application file for complete search history.

(56) **References Cited**  
U.S. PATENT DOCUMENTS  
4,996,925 A 3/1991 Biermann et al.  
D321,636 S \* 11/1991 Ciciliot ..... D8/14  
D329,787 S \* 9/1992 Connolly ..... D8/14  
5,224,555 A 7/1993 Bain et al.  
5,261,763 A 11/1993 Crowell et al.  
6,877,931 B2 4/2005 Theurer et al.  
6,925,940 B2 8/2005 Ruban et al.  
7,013,812 B2 3/2006 Williams et al.  
7,325,496 B2 2/2008 Williams et al.  
7,527,452 B2 5/2009 Theurer et al.  
7,726,246 B2 6/2010 Williams et al.  
9,238,892 B2 \* 1/2016 Theurer ..... E01B 27/13

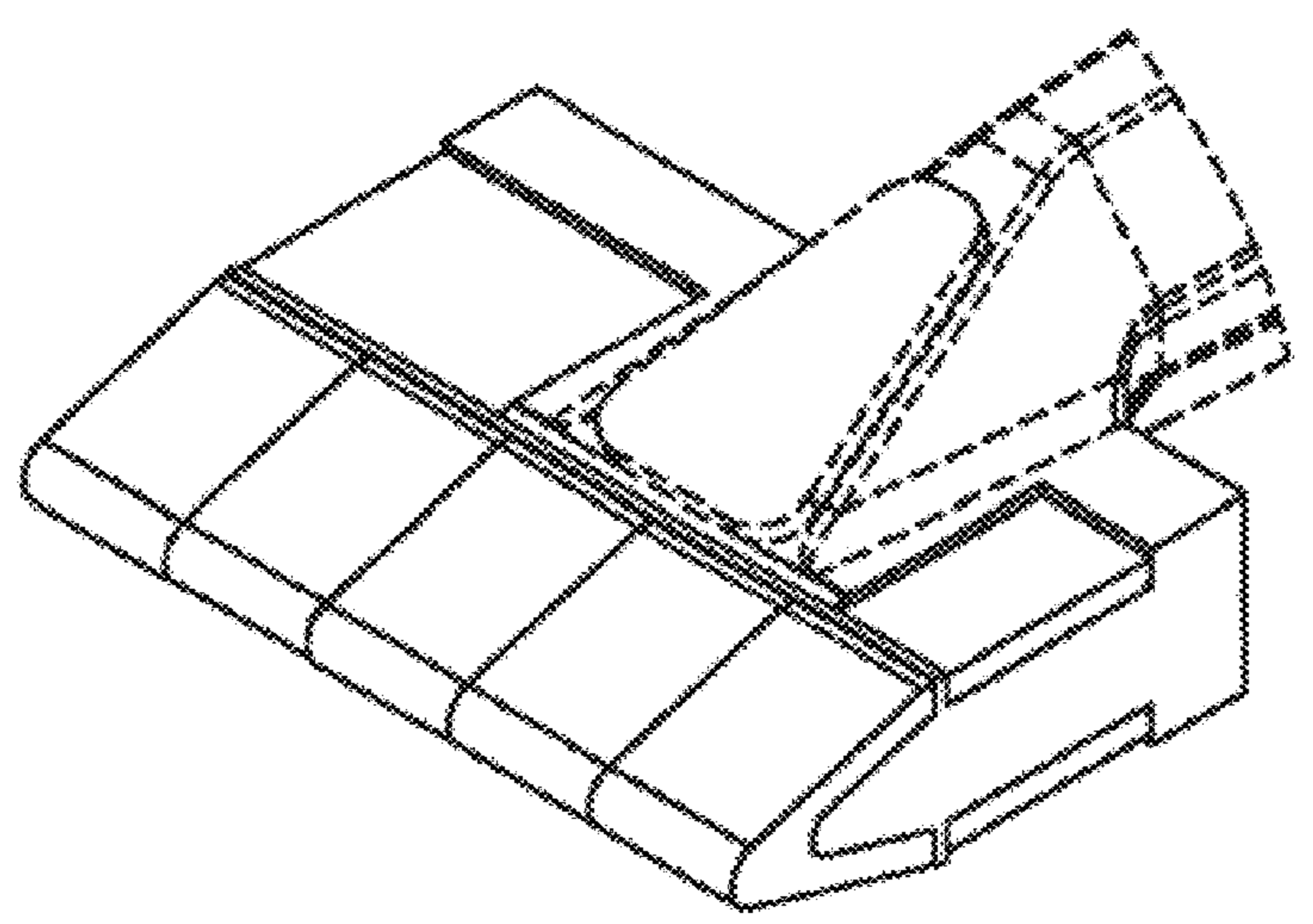
2002/0051682 A1 \* 5/2002 Gevik ..... E01B 27/16  
404/133.05  
2003/0133752 A1 \* 7/2003 Theurer ..... E01B 27/16  
404/133.05  
2003/0138295 A1 \* 7/2003 Theurer ..... E01B 27/16  
404/133.05  
2005/0109235 A1 \* 5/2005 Williams ..... E01B 27/16  
104/10  
2013/0327241 A1 \* 12/2013 Theurer ..... E01B 27/13  
104/10  
2015/0233063 A1 8/2015 Klippel

\* cited by examiner  
*Primary Examiner* — Patricia Palasik  
(74) *Attorney, Agent, or Firm* — Baker & McKenzie LLP

(57) **CLAIM**  
The ornamental design for a tamping tool, as shown and described.

**DESCRIPTION**  
FIG. 1 is a front isometric view of a tamping tool;  
FIG. 2 is a front elevation view of the tamping tool illustrated in FIG. 1;  
FIG. 3 is a left-side elevation view of the tamping tool illustrated in FIG. 1;  
FIG. 4 is a right-side elevation view of the tamping tool illustrated in FIG. 1;  
FIG. 5 is a rear elevation view of the tamping tool illustrated in FIG. 1;  
FIG. 6 is a top view of the tamping tool illustrated in FIG. 1; and,  
FIG. 7 is a bottom view of the tamping tool illustrated in FIG. 1.  
The broken lines in the drawings depict unclaimed environmental subject matter.

**1 Claim, 1 Drawing Sheet**



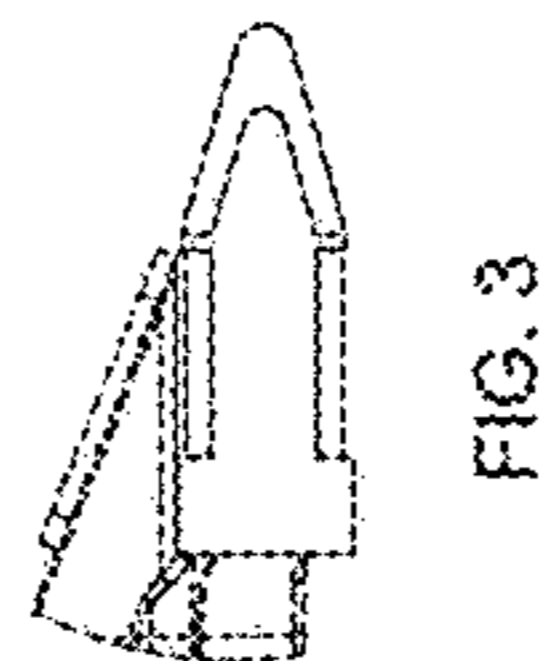
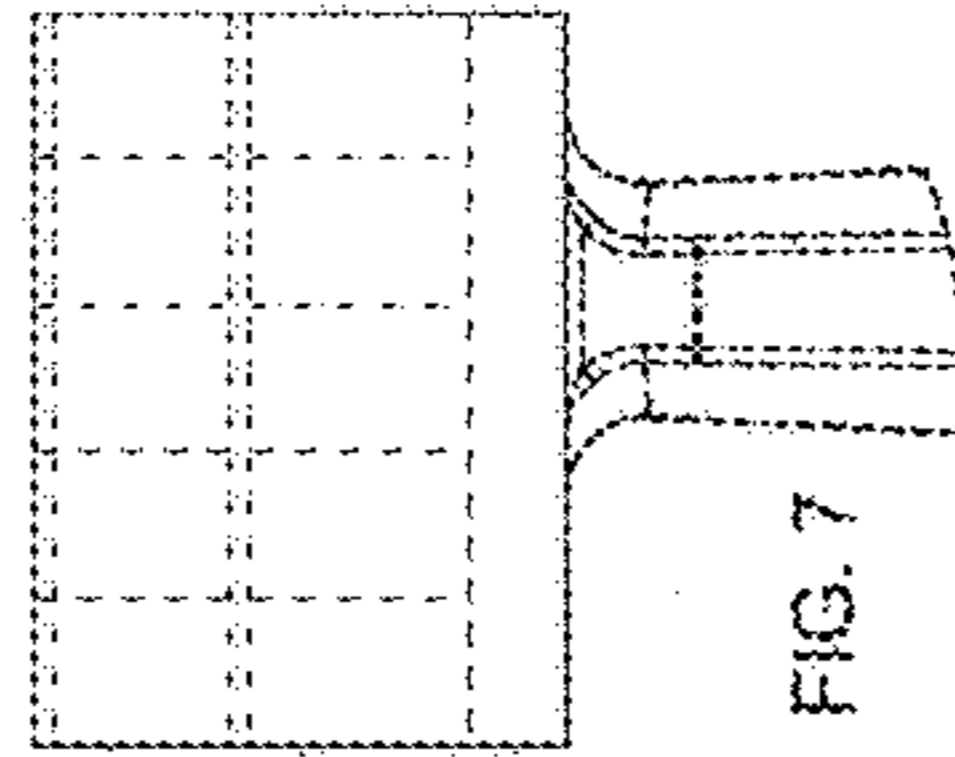
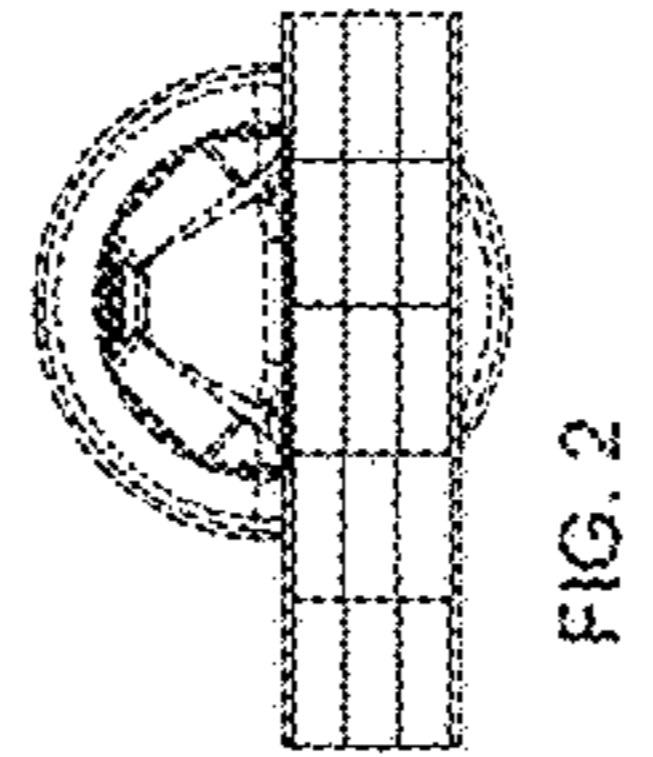
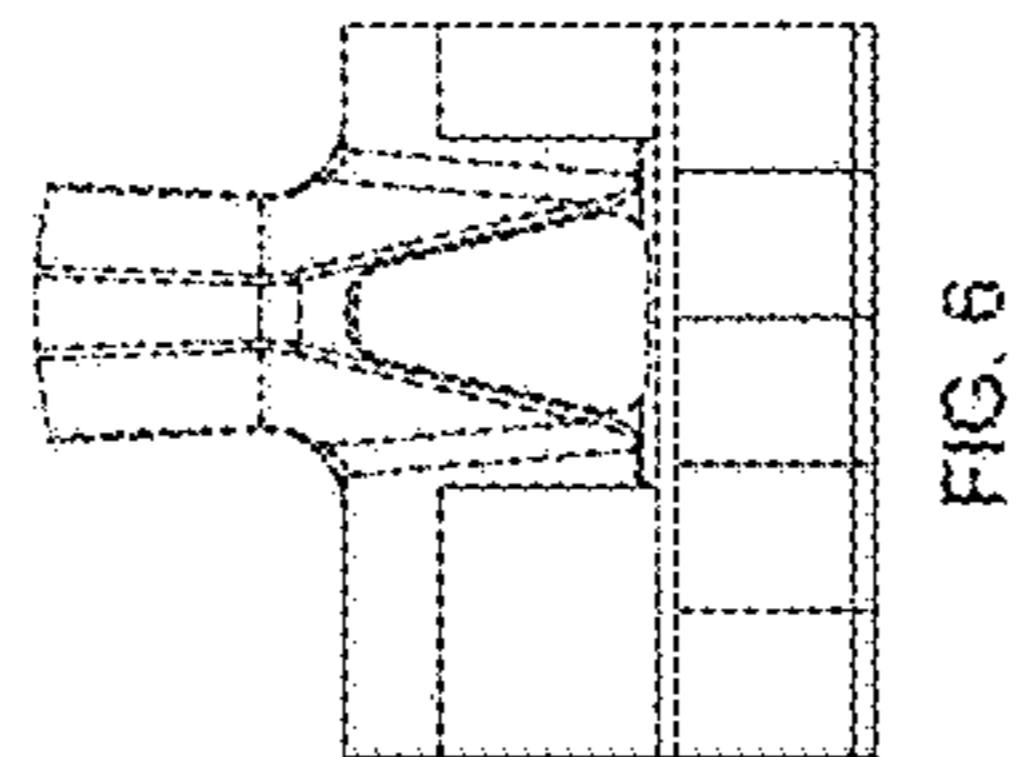
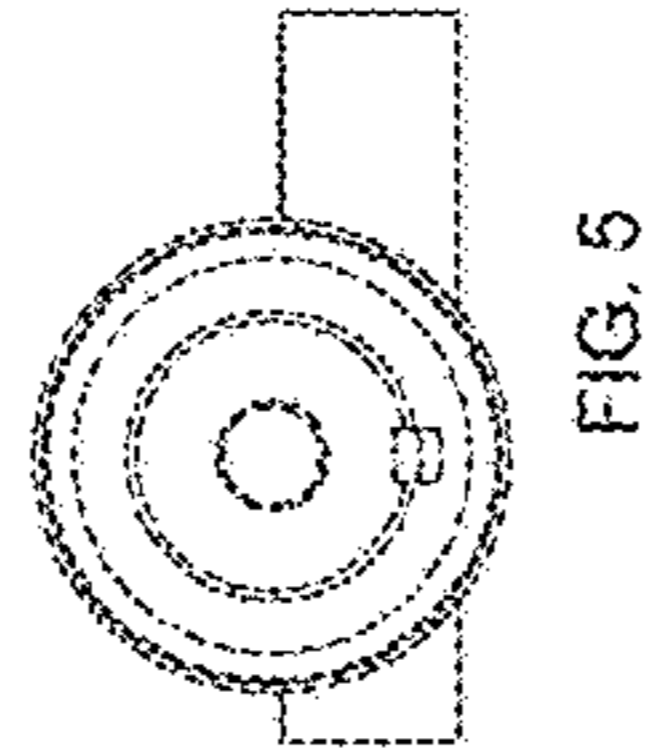
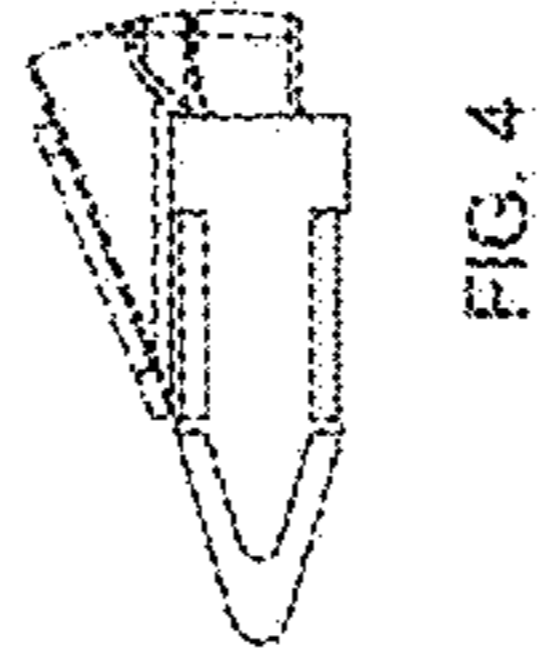
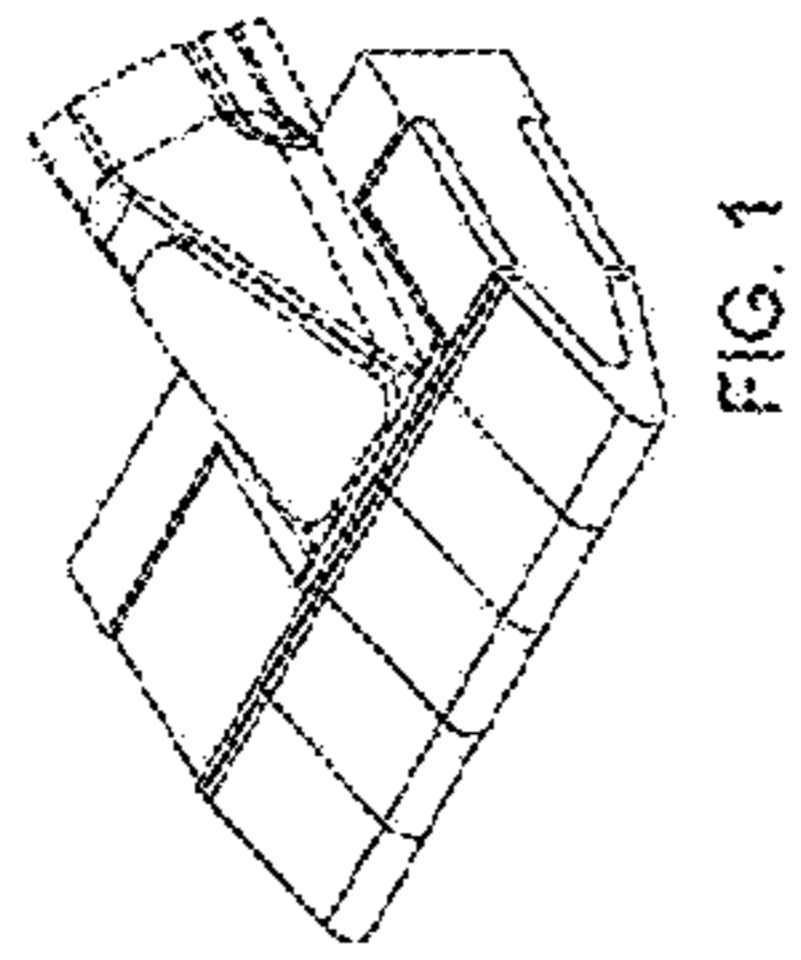


FIG. 1

FIG. 4

FIG. 5

FIG. 6

FIG. 2

FIG. 7

FIG. 3