



US00D800805S

(12) **United States Design Patent** (10) **Patent No.:** **US D800,805 S**
Rhode (45) **Date of Patent:** **** Oct. 24, 2017**

(54) **TAMPING TOOL**
(71) Applicant: **Harsco Technologies LLC**, Fairmont, MN (US)
(72) Inventor: **Jeff Tyler Rhode**, Anaheim Hills, CA (US)
(73) Assignee: **Harsco Technologies LLC**, Fairmont, MN (US)
(**) Term: **15 Years**
(21) Appl. No.: **29/561,137**
(22) Filed: **Apr. 13, 2016**
(51) **LOC (10) Cl.** **15-09**
(52) **U.S. Cl.**
USPC **D15/138; D8/14**
(58) **Field of Classification Search**
USPC D8/14, 47, 75; D15/138
CPC B23K 1/0008; E01B 1/001; E01B 27/16;
E01B 27/20
See application file for complete search history.

(56) **References Cited**
U.S. PATENT DOCUMENTS
4,996,925 A 3/1991 Biermann et al.
D321,636 S * 11/1991 Ciciliot D8/14
D329,787 S * 9/1992 Connolly D8/14
5,224,555 A 7/1993 Bain et al.
5,261,763 A 11/1993 Crowell et al.
6,877,931 B2 4/2005 Theurer et al.
6,925,940 B2 8/2005 Ruban et al.
7,013,812 B2 3/2006 Williams et al.
7,325,496 B2 2/2008 Williams et al.
7,527,452 B2 5/2009 Theurer et al.
7,726,246 B2 6/2010 Williams et al.
9,238,892 B2 * 1/2016 Theurer E01B 27/13

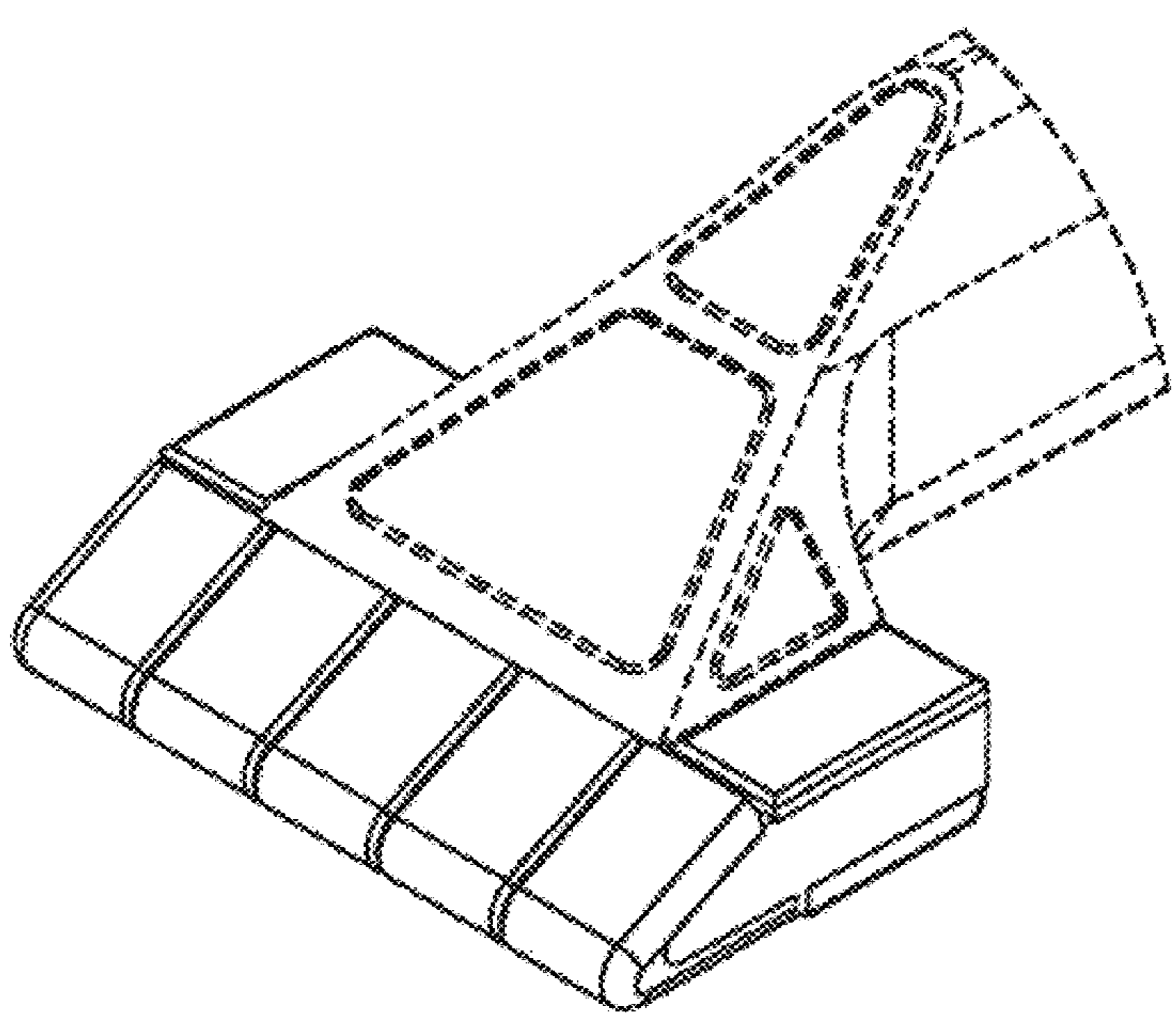
2002/0051682 A1 * 5/2002 Gevik E01B 27/16
404/133.05
2003/0133752 A1 * 7/2003 Theurer E01B 27/16
404/133.05
2003/0138295 A1 * 7/2003 Theurer E01B 27/16
404/133.05
2005/0109235 A1 * 5/2005 Williams E01B 27/16
104/10
2013/0327241 A1 * 12/2013 Theurer E01B 27/13
104/10
2015/0233063 A1 8/2015 Klippel

* cited by examiner
Primary Examiner — Patricia Palasik
(74) *Attorney, Agent, or Firm* — Baker & McKenzie LLP

(57) **CLAIM**
The ornamental design for a tamping tool, as shown and described.

DESCRIPTION
FIG. 1 is a front isometric view of a tamping tool;
FIG. 2 is a front elevation view of the tamping tool illustrated in FIG. 1;
FIG. 3 is a left-side elevation view of the tamping tool illustrated in FIG. 1;
FIG. 4 is a right-side elevation view of the tamping tool illustrated in FIG. 1;
FIG. 5 is a rear elevation view of the tamping tool illustrated in FIG. 1;
FIG. 6 is a top view of the tamping tool illustrated in FIG. 1; and,
FIG. 7 is a bottom view of the tamping tool illustrated in FIG. 1.
The broken lines in the drawings depict unclaimed environmental subject matter.

1 Claim, 1 Drawing Sheet



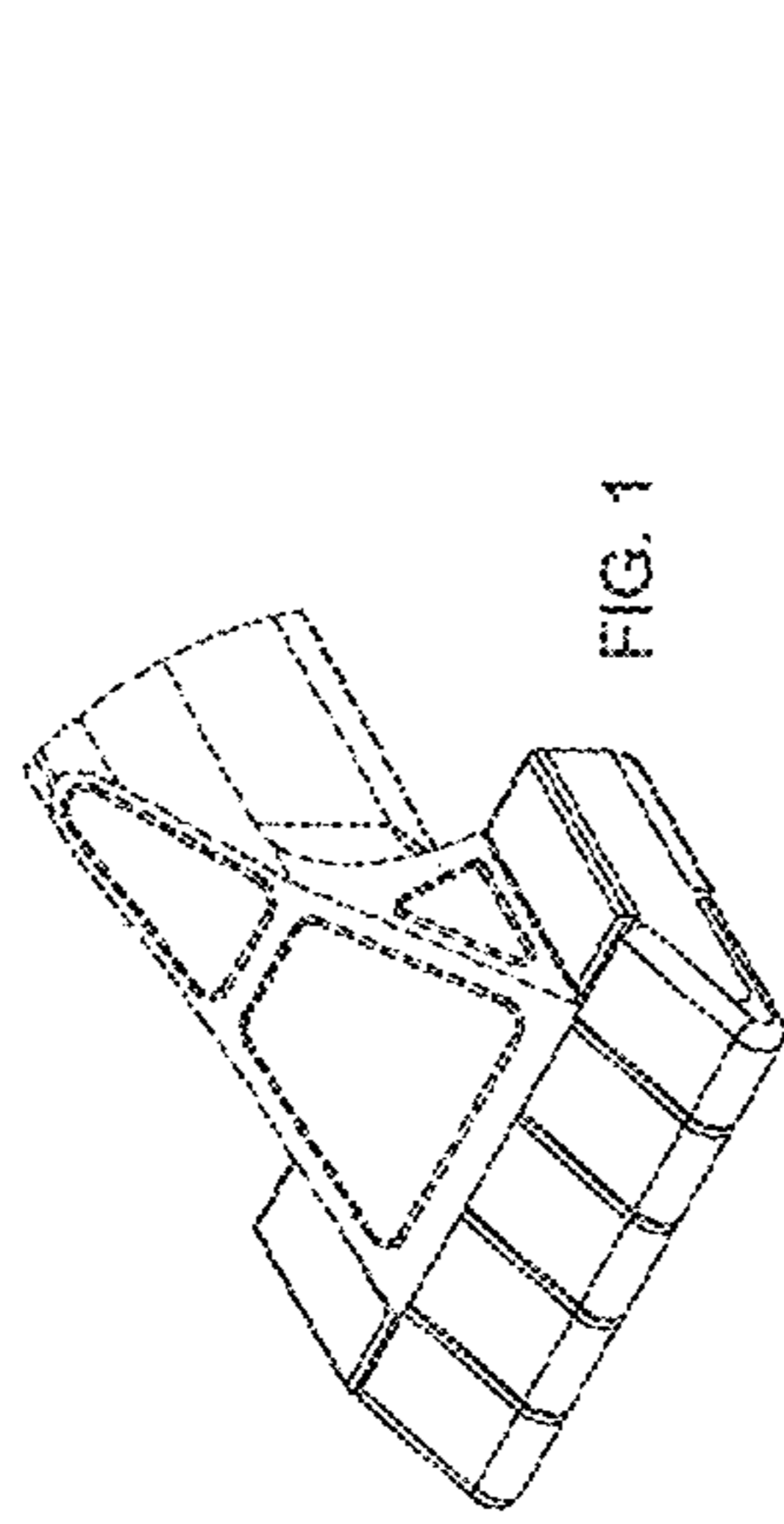


FIG. 1

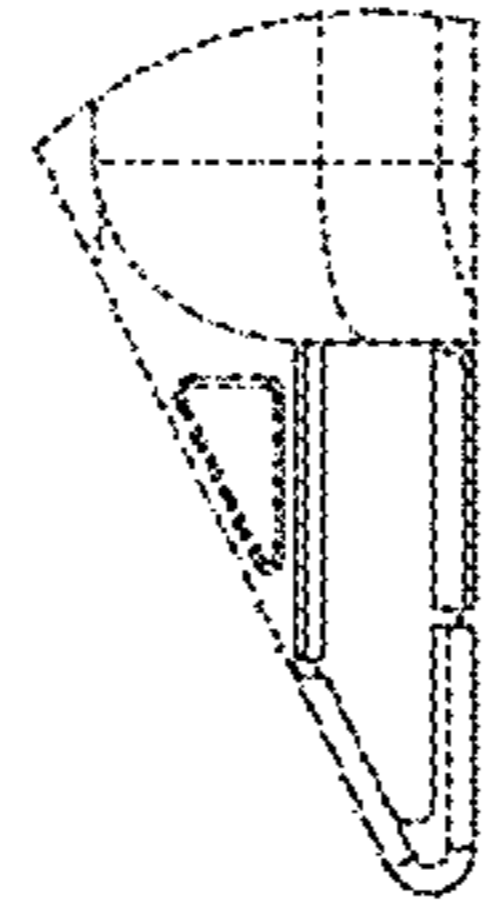


FIG. 4

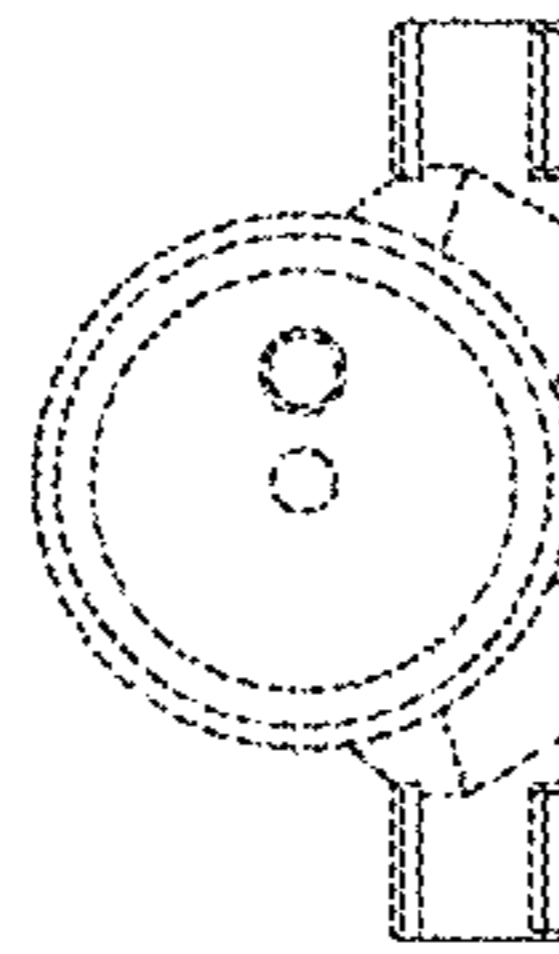


FIG. 5

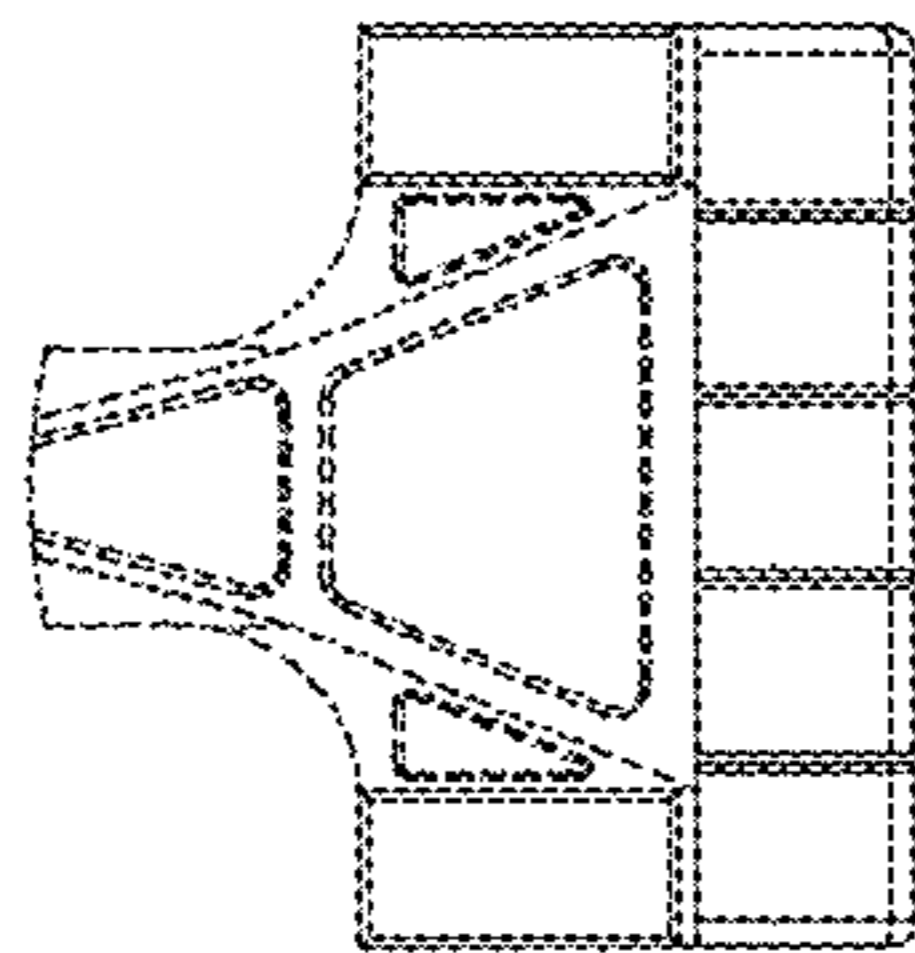


FIG. 6

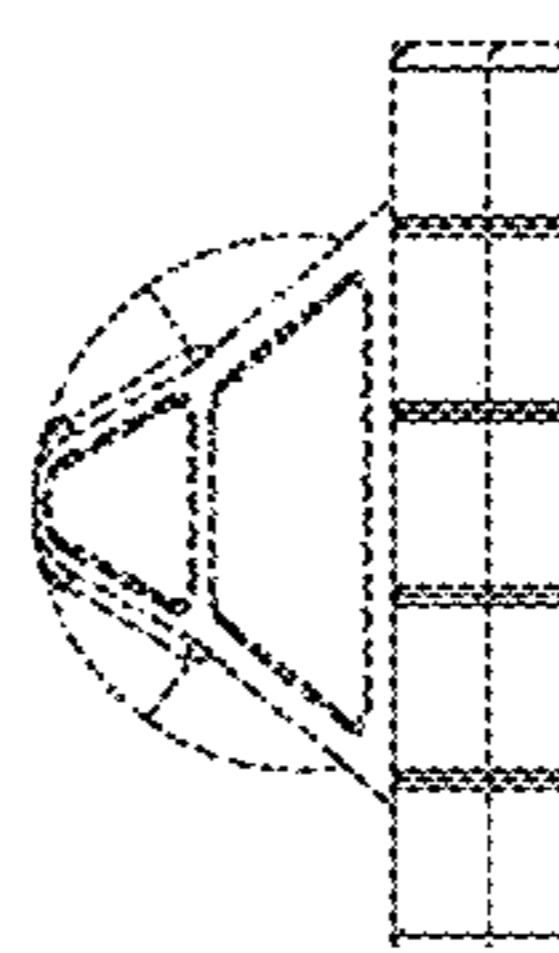


FIG. 2

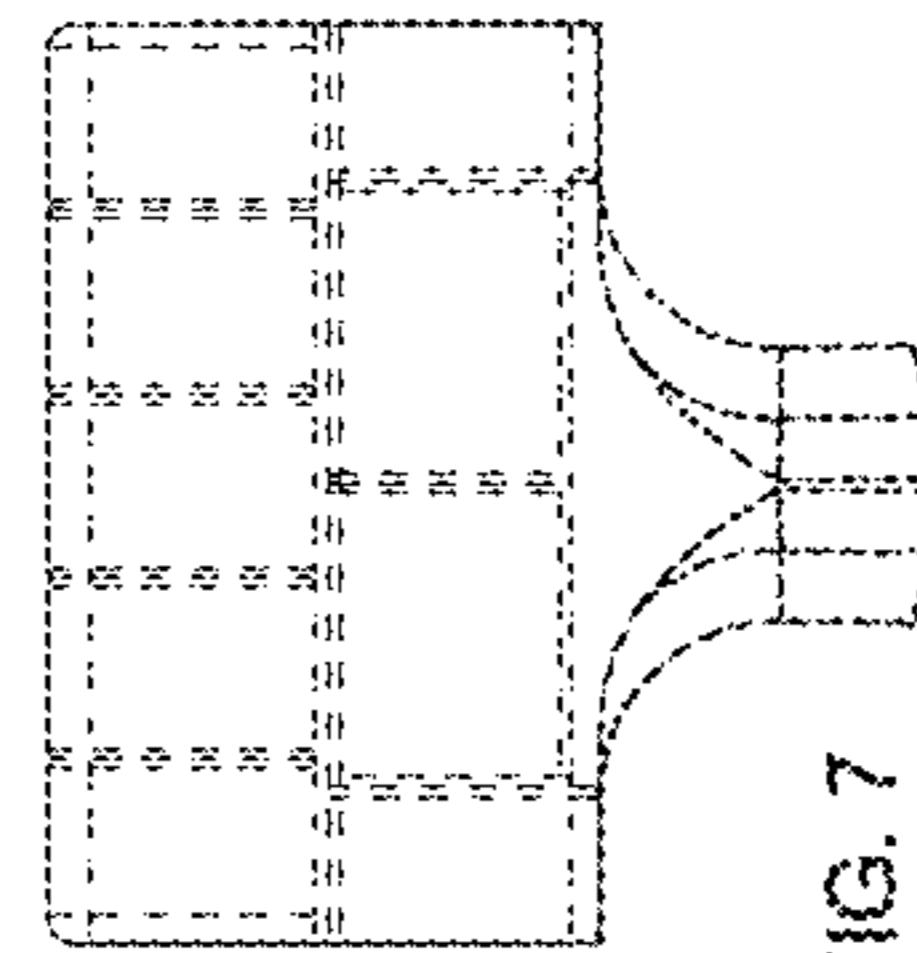


FIG. 7



FIG. 3