



US00D800803S

(12) **United States Design Patent** (10) **Patent No.:** **US D800,803 S**  
**Laliberte et al.** (45) **Date of Patent:** **\*\* Oct. 24, 2017**

(54) **TABLE SAW**

D663,328 S \* 7/2012 Taylor ..... D15/133  
D715,337 S \* 10/2014 Scherl ..... D15/133  
D715,338 S \* 10/2014 Elder ..... D15/133

(71) Applicants: **Robert Bosch Tool Corporation**,  
Broadview, IL (US); **Robert Bosch  
GmbH**, Stuttgart, DE (US)

**FOREIGN PATENT DOCUMENTS**

(72) Inventors: **Eric Laliberte**, Naperville, IL (US);  
**Brian Taylor**, Elmhurst, IL (US);  
**Timothy Szweda**, Chicago, IL (US);  
**Robert Doumani**, Hoffman Estates, IL  
(US); **Craig Wilson**, Mount Prospect,  
IL (US); **Jason Feldner**, Mount  
Prospect, IL (US); **Paul Hatch**,  
Chicago, IL (US); **Tom Bajek**,  
Naperville, IL (US); **James Dangora**,  
Pompton Lakes, NJ (US); **Engin  
Hassamanci**, Austin, TX (US)

TW 487479 5/2002  
TW 562561 11/2003  
TW D110669 5/2006  
TW D126120 11/2008

**OTHER PUBLICATIONS**

English Translation of Taiwan Examination Report and Search  
Report corresponding to Taiwan Patent Application 105302799 (3  
pages).

\* cited by examiner

*Primary Examiner* — Ian Simmons

*Assistant Examiner* — Khawaja Anwar

(73) Assignees: **Robert Bosch Tool Corporation**,  
Broadview, IL (US); **Robert Bosch  
GmbH**, Stuttgart (DE)

(74) *Attorney, Agent, or Firm* — Maginot Moore & Beck  
LLP

(\*\*) Term: **15 Years**

(57) **CLAIM**

(21) Appl. No.: **29/547,761**

The ornamental design for a table saw, as shown and  
described.

(22) Filed: **Dec. 7, 2015**

**DESCRIPTION**

(51) **LOC (10) Cl.** ..... **15-03**

(52) **U.S. Cl.**  
USPC ..... **D15/133**

(58) **Field of Classification Search**  
USPC ..... D8/61, 64-69; D15/133, 134  
CPC ..... B27G 19/02; B27G 19/08; B27G 21/00;  
B27G 19/00; B27G 19/04  
See application file for complete search history.

FIG. 1 is a front perspective view of a table saw showing our  
new design;  
FIG. 2 is a right side perspective view thereof;  
FIG. 3 is a rear perspective view thereof;  
FIG. 4 is a left side perspective view thereof;  
FIG. 5 is a front elevational view thereof;  
FIG. 6 is a rear elevational view thereof;  
FIG. 7 is a left side elevational view thereof;  
FIG. 8 is a right side elevational view thereof;  
FIG. 9 is a top plan view thereof; and,  
FIG. 10 is a bottom plan view thereof.

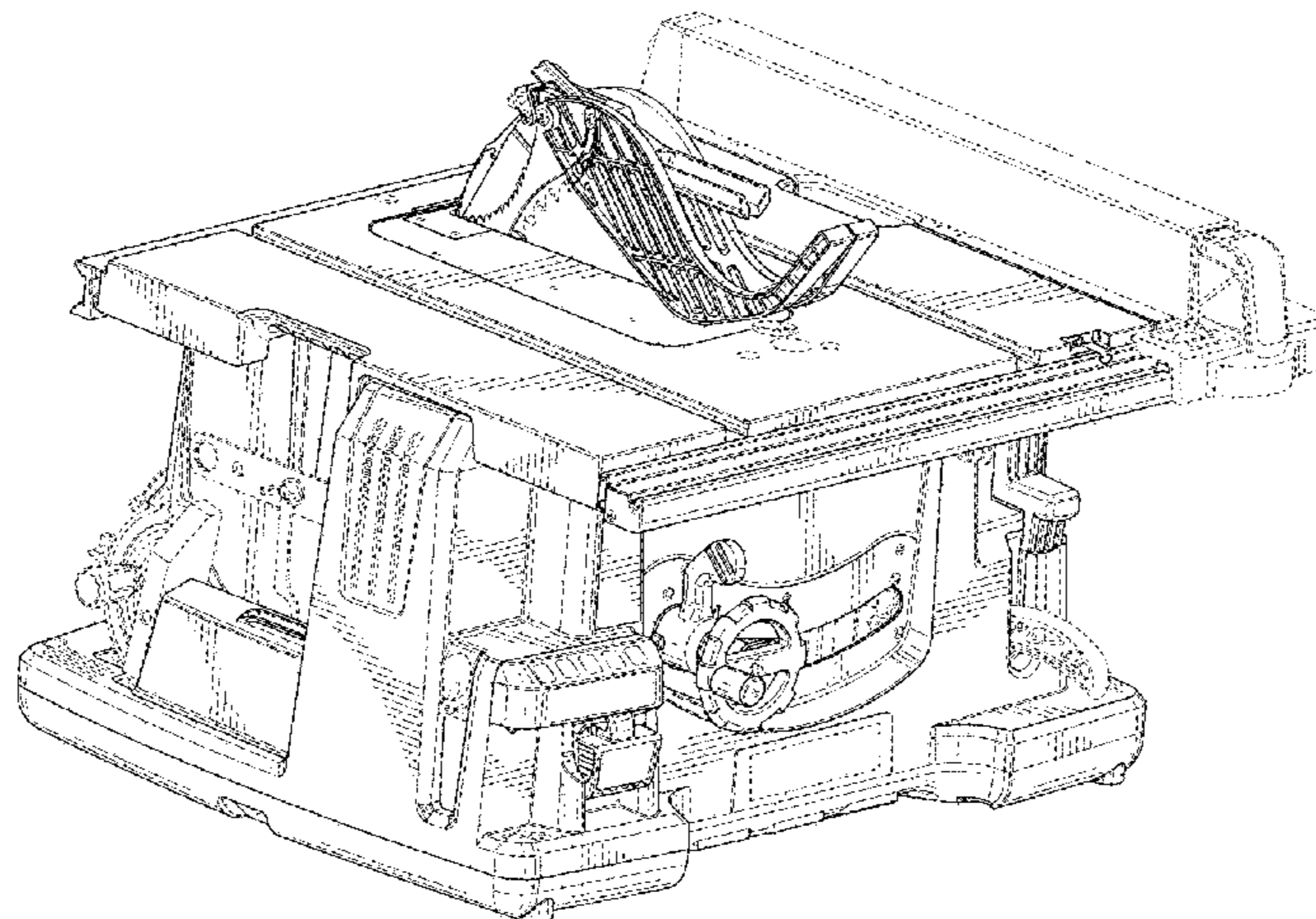
The broken lines shown in the drawings illustrate portions of  
the table saw that form no part of the claimed design.

(56) **References Cited**

**U.S. PATENT DOCUMENTS**

D458,947 S \* 6/2002 Svetlik ..... D15/133  
D484,895 S \* 1/2004 Coli ..... D15/127  
D626,158 S \* 10/2010 Jebb ..... D15/133  
D636,417 S \* 4/2011 Frolov ..... D15/133

**1 Claim, 10 Drawing Sheets**



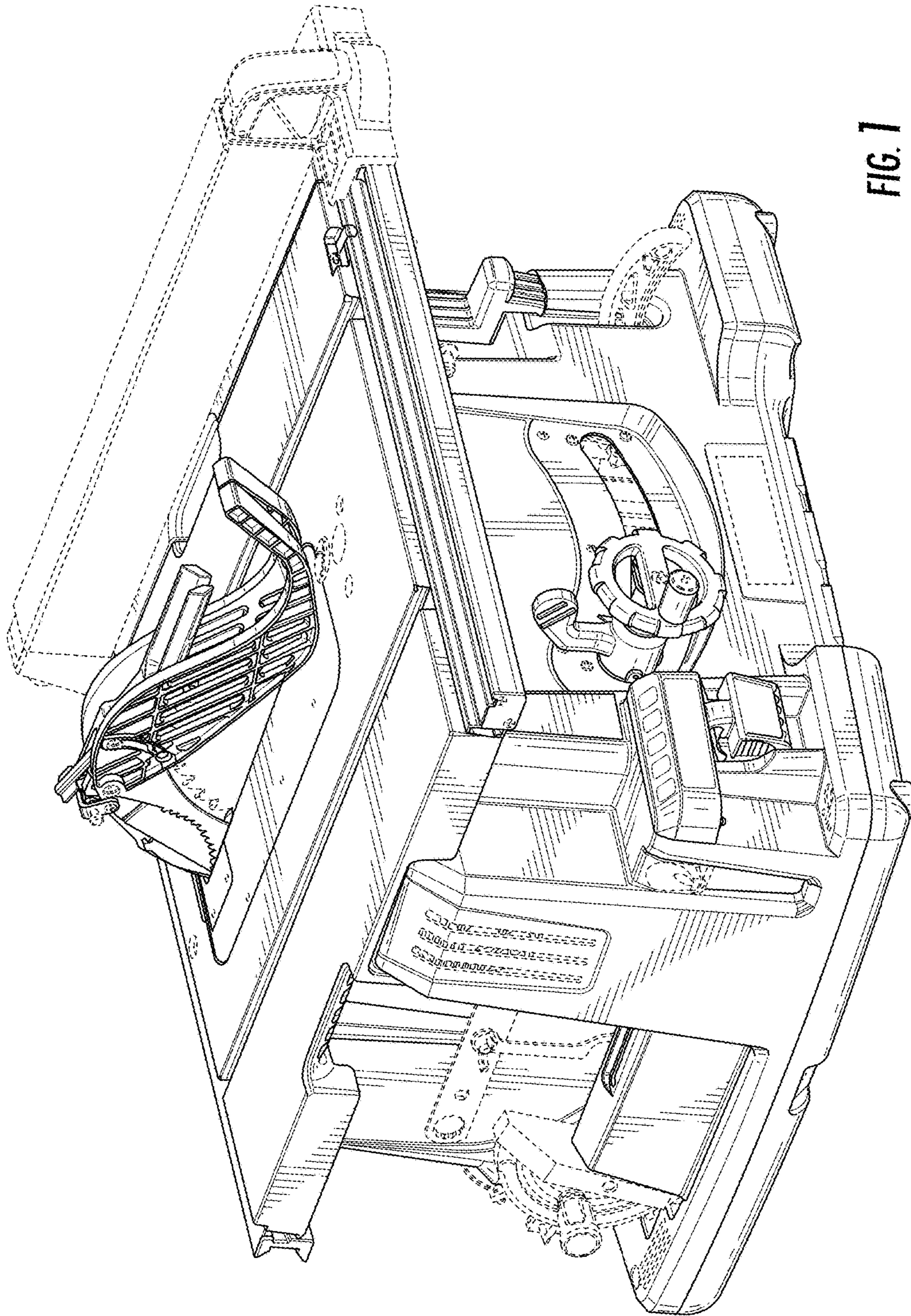


FIG. 1

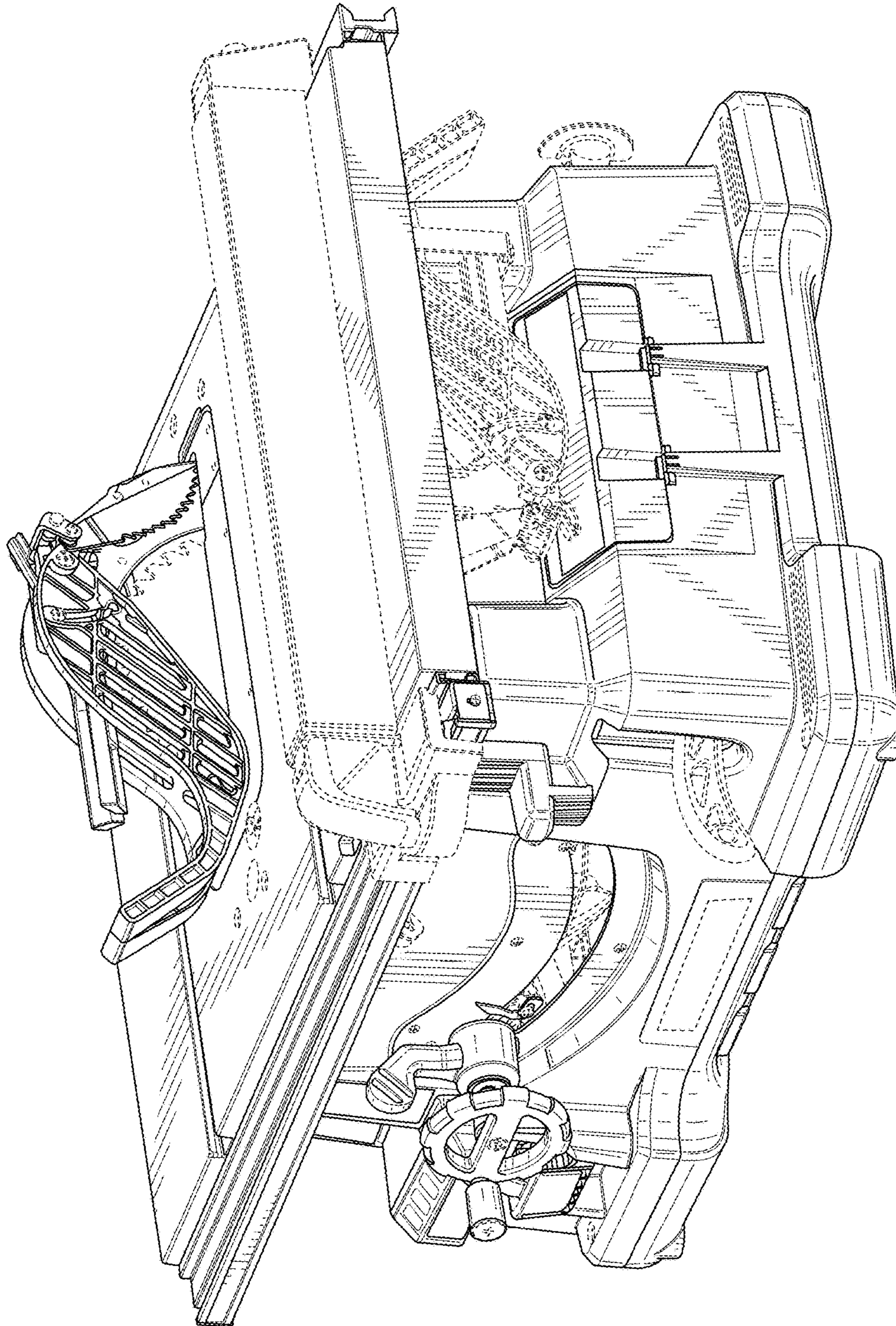


FIG. 2

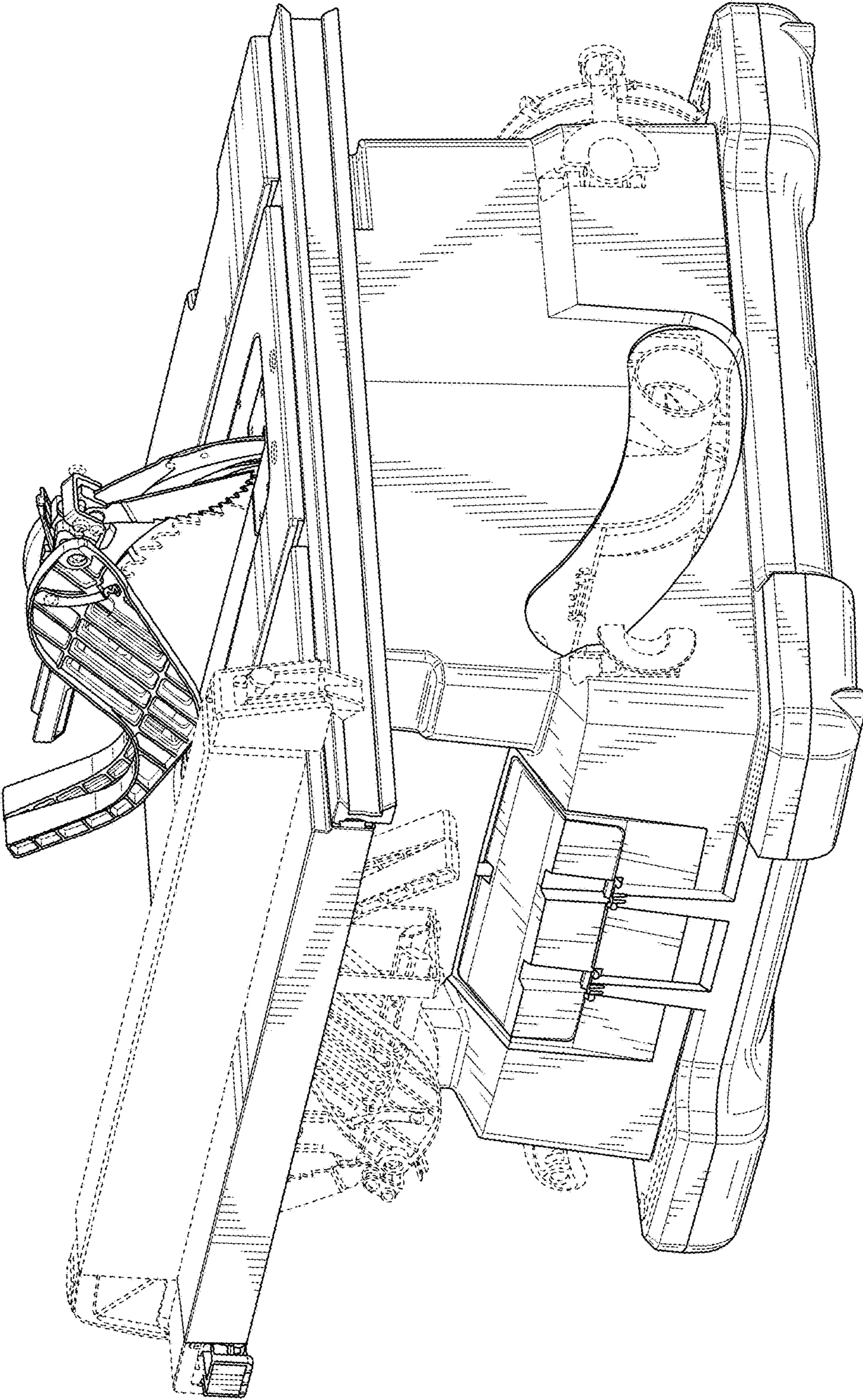


FIG. 3

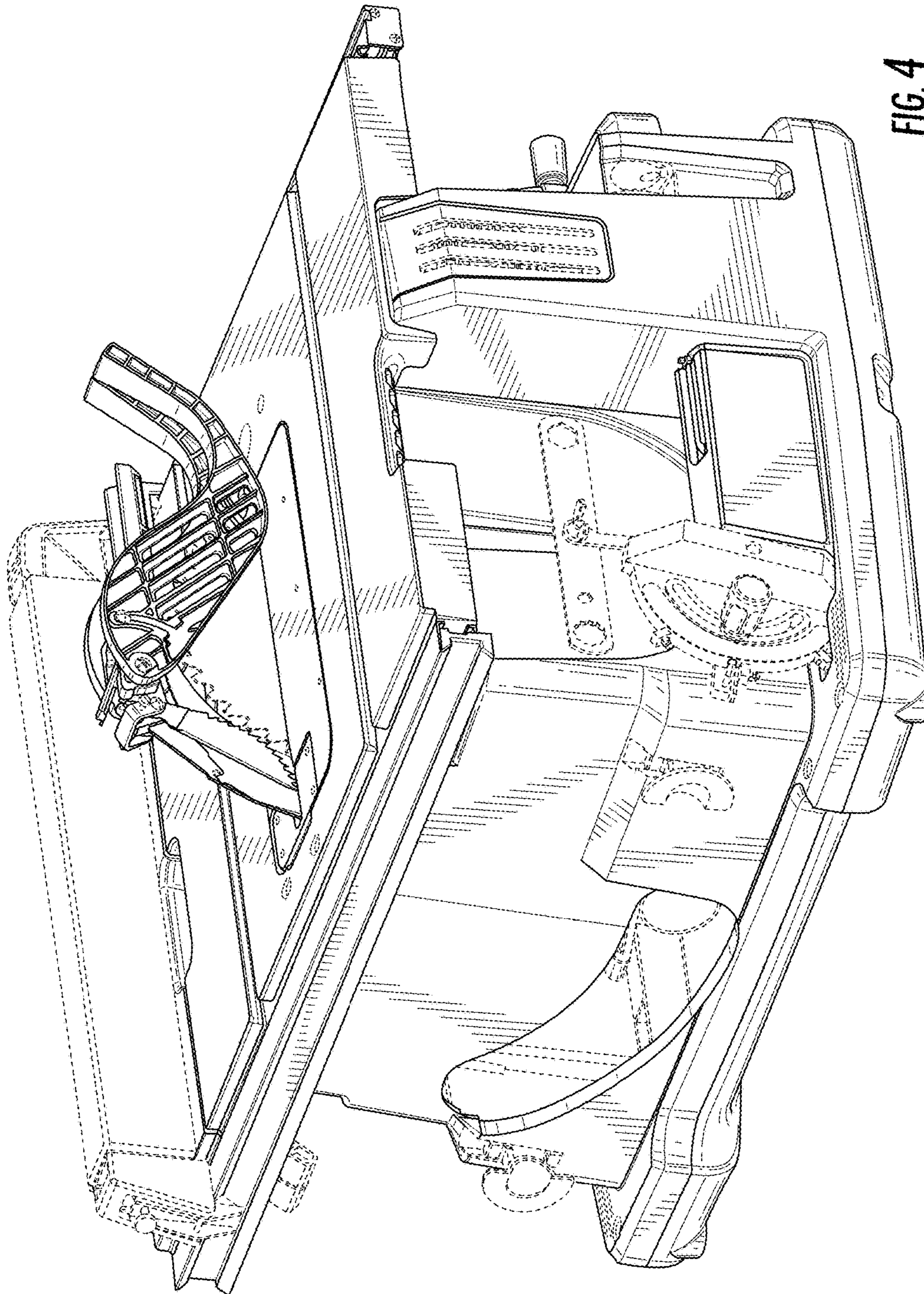


FIG. 4

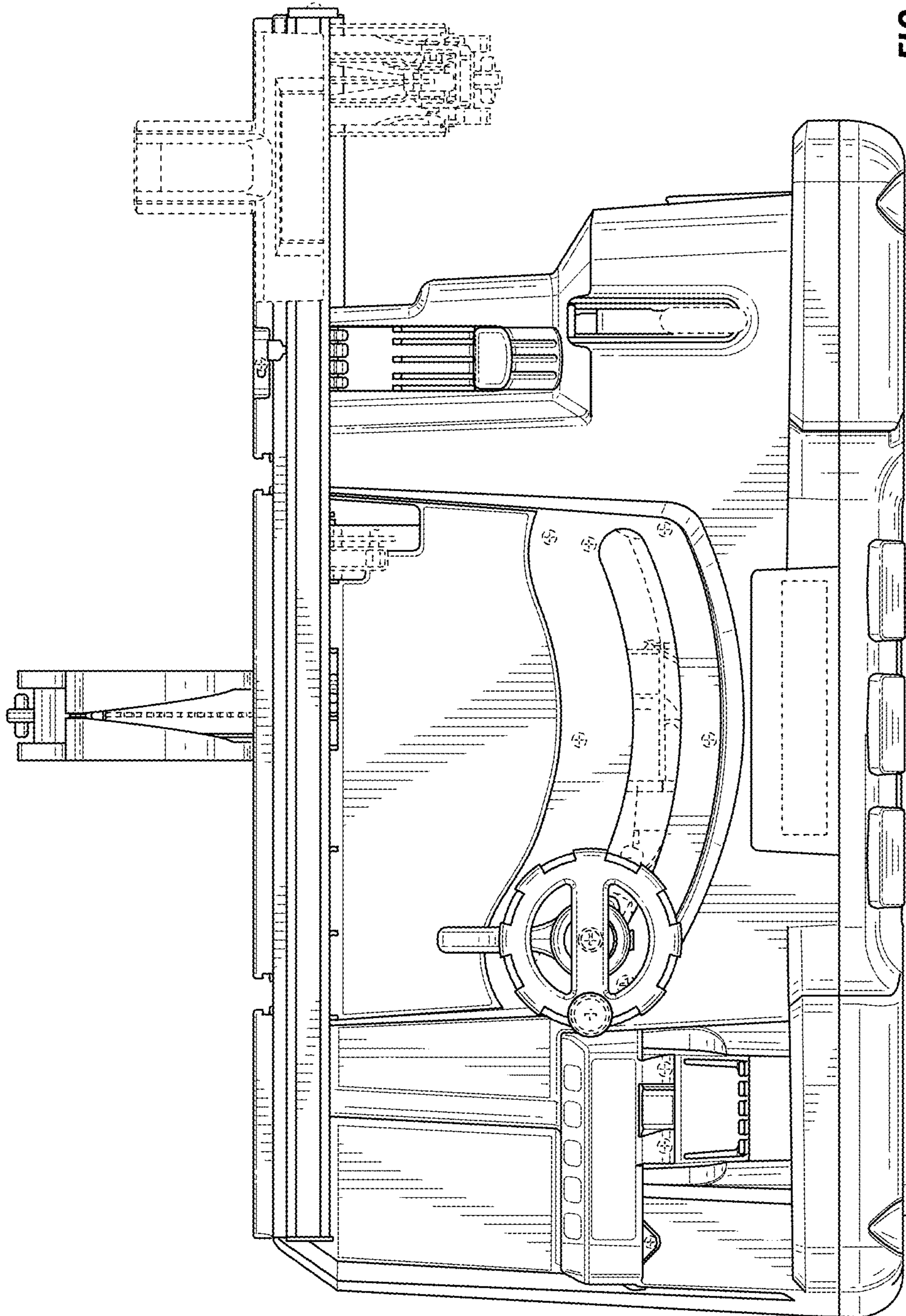


FIG. 5

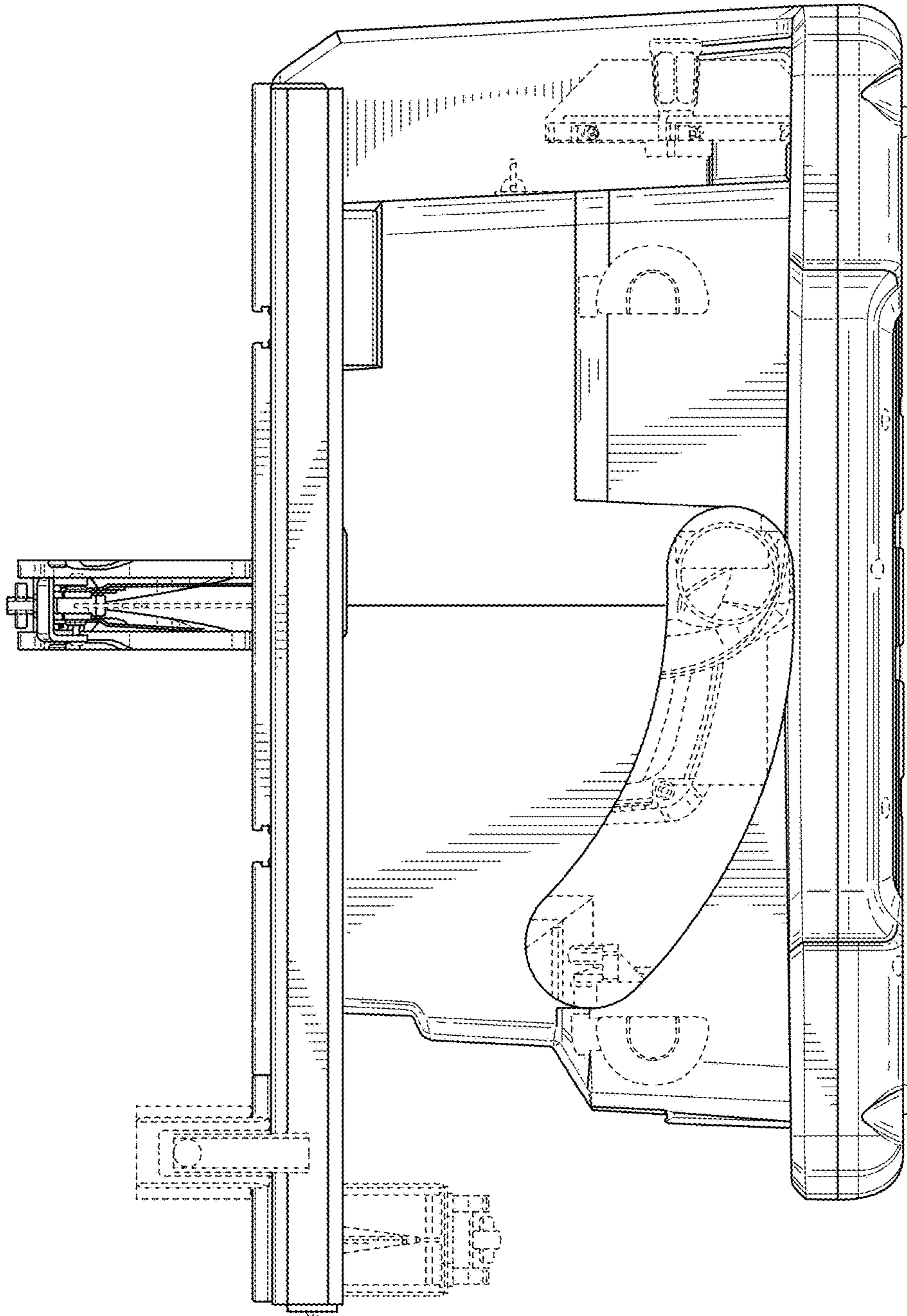


FIG. 6

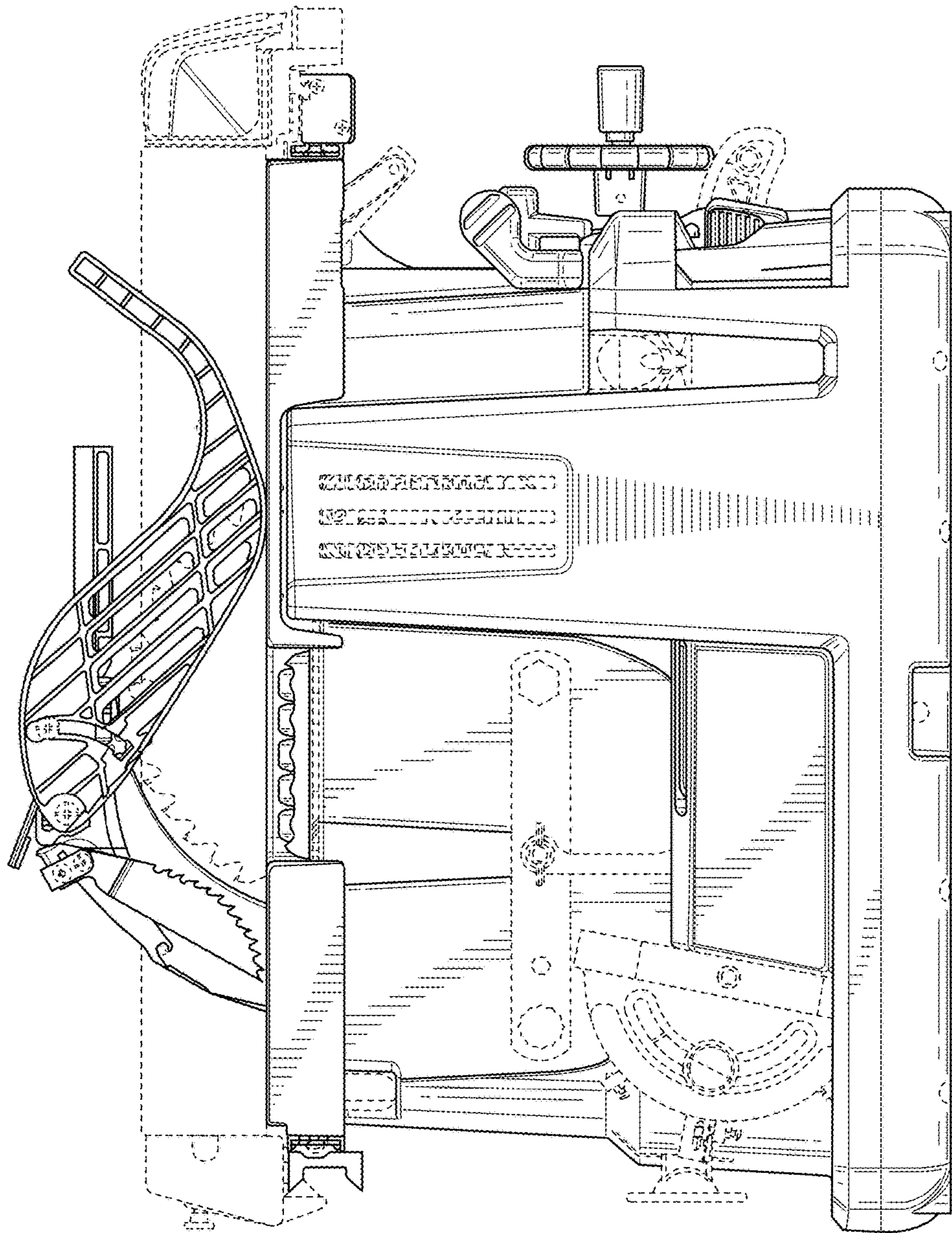


FIG. 7



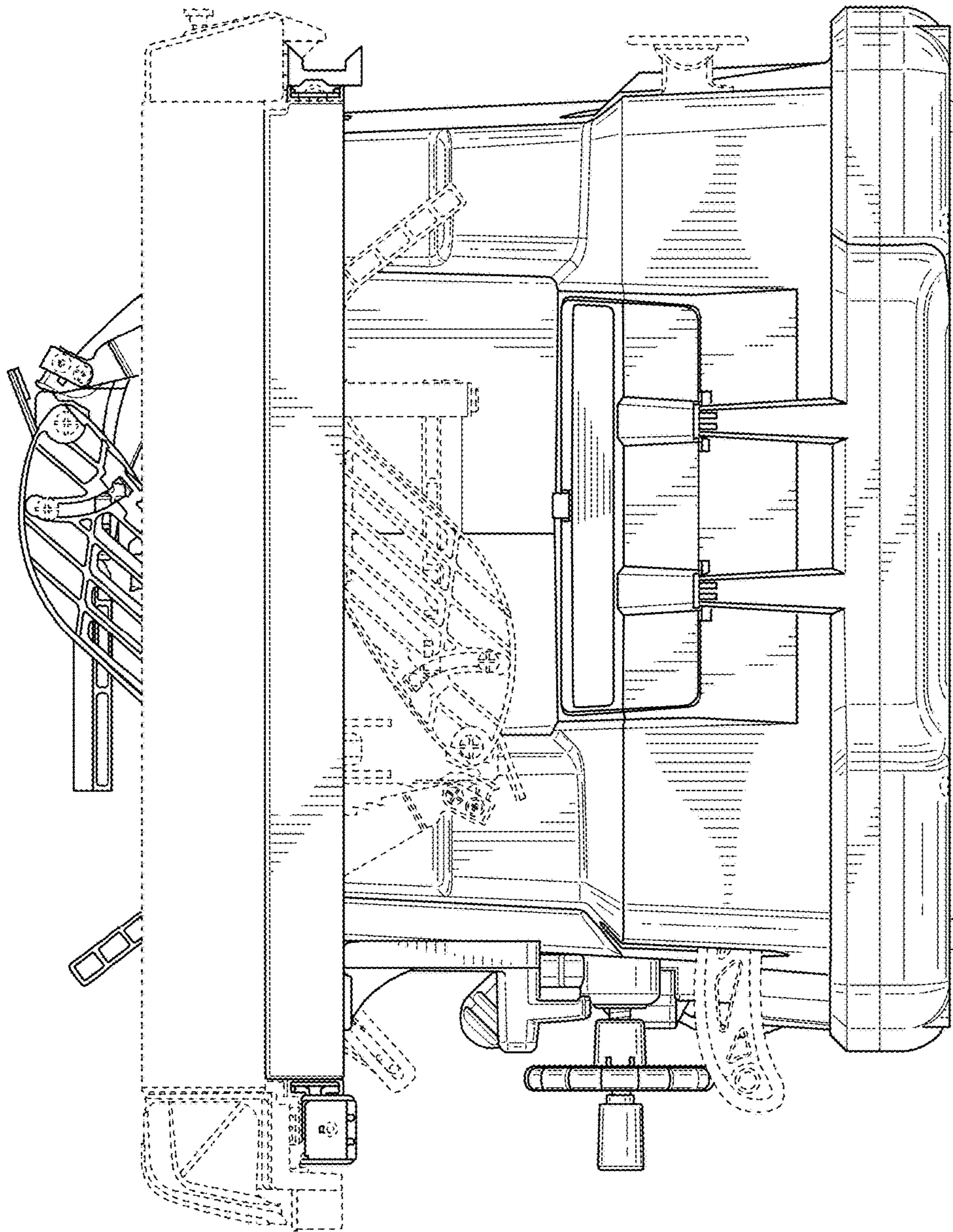


FIG. 8

FIG. 9

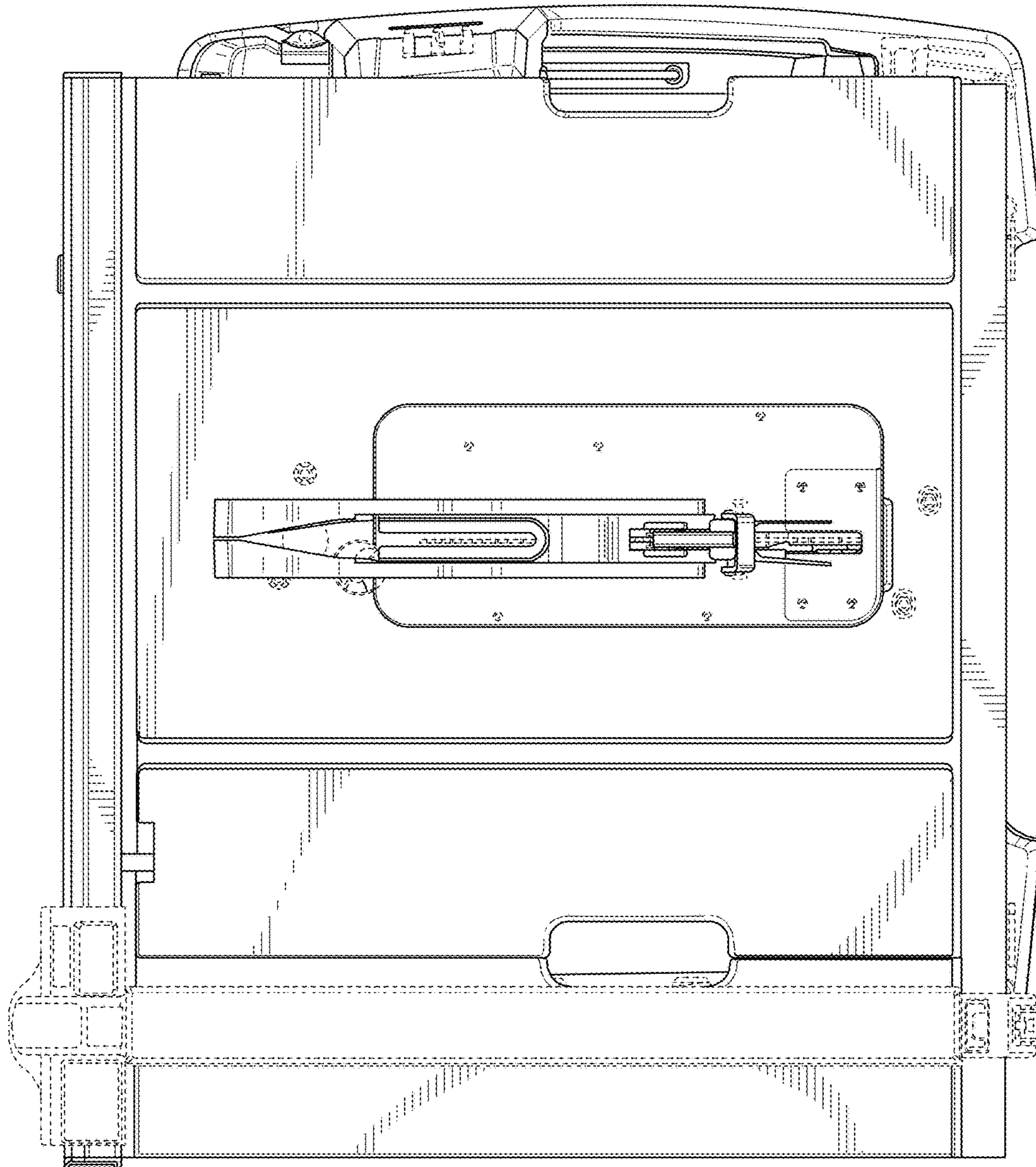


FIG. 10

