



US00D800802S

(12) **United States Design Patent** (10) **Patent No.:** **US D800,802 S**  
**Maeda et al.** (45) **Date of Patent:** **\*\* Oct. 24, 2017**

(54) **REFRIGERATING MACHINE**

(56) **References Cited**

(71) Applicant: **Mitsubishi Electric Corporation,**  
Tokyo (JP)  
(72) Inventors: **Koichi Maeda,** Tokyo (JP); **Kenichiro Toriumi,** Tokyo (JP); **Ataru Nakamura,** Tokyo (JP); **Hajime Fujimoto,** Tokyo (JP); **Hiroshi Sata,** Tokyo (JP)  
(73) Assignee: **Mitsubishi Electric Corporation,**  
Tokyo (JP)  
(\*\*) Term: **15 Years**

U.S. PATENT DOCUMENTS

2,077,348 A	4/1937	Gaston	
2,109,986 A	3/1938	Atchison	
6,484,364 B2	11/2002	Turner	
D584,596 S	1/2009	Doverspike	
D612,226 S	3/2010	Dinh	
7,857,267 B2 *	12/2010	Watts	H05K 7/1489 211/41.12
D636,618 S	4/2011	Kundinger et al.	
D645,623 S	9/2011	Helot et al.	
D667,718 S	9/2012	Preda	
8,297,450 B2 *	10/2012	Zavidniak	H05K 7/183 211/13.1
D681,072 S	4/2013	Sata et al.	

(21) Appl. No.: **29/592,086**

(22) Filed: **Jan. 26, 2017**

**Related U.S. Application Data**

(62) Division of application No. 29/524,992, filed on Apr. 24, 2015, now Pat. No. Des. 788,189.

(30) **Foreign Application Priority Data**

Jan. 15, 2015	(JP)	2015-000548
Jan. 15, 2015	(JP)	2015-000550
Jan. 15, 2015	(JP)	2015-000551
Jan. 15, 2015	(JP)	2015-000552

(51) **LOC (10) Cl.** ..... **15-07**

(52) **U.S. Cl.**  
USPC ..... **D15/89**

(58) **Field of Classification Search**  
USPC .... D15/79-91; D8/349, 354, 363, 366, 371, D8/373, 380, 381, 382, 384; D32/1, 5-6, D32/8, 10, 25  
CPC .. F25D 23/028; F25D 23/062; F25D 2500/06; F25D 2600/00; F25D 2700/02; F25D 2700/06; F25D 2700/08; A47F 3/0434; A47F 11/10; A47F 3/001; A47F 3/043  
See application file for complete search history.

*Primary Examiner* — Khawaja Anwar  
(74) *Attorney, Agent, or Firm* — Studebaker & Brackett PC

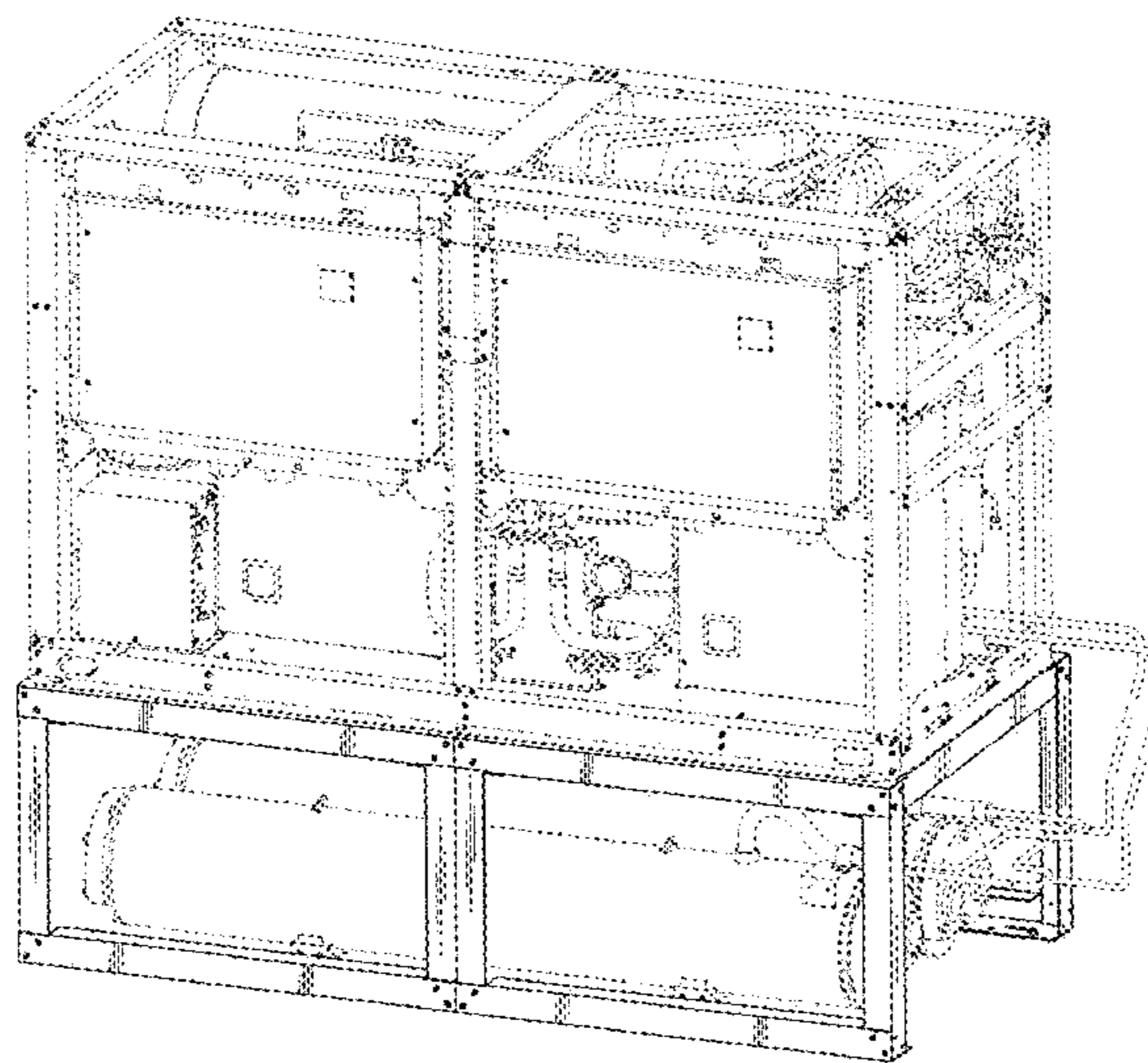
(57) **CLAIM**

The ornamental design for refrigerating machine, as shown and described.

**DESCRIPTION**

FIG. 1 is a perspective view of the front, right, and top sides of a refrigerating machine showing our new design;  
FIG. 2 is a front view thereof;  
FIG. 3 is a rear view thereof  
FIG. 4 is a left side view thereof;  
FIG. 5 is a right side view thereof;  
FIG. 6 is a top view thereof; and,  
FIG. 7 is a bottom view thereof.  
The broken line in the figure drawings is included for the purpose of illustrating environment and forms no part of the claimed design.

**1 Claim, 7 Drawing Sheets**



(56)

**References Cited**

U.S. PATENT DOCUMENTS

D681,076	S	4/2013	Sata et al.	
D708,875	S *	7/2014	McNamara .....	D6/705
D760,579	S *	7/2016	Tonthat .....	D8/354
D788,189	S *	5/2017	Maeda .....	D15/89
2003/0155319	A1 *	8/2003	Wishart .....	A47B 47/027 211/189
2004/0007550	A1 *	1/2004	Leeman .....	A47F 5/101 211/189
2005/0145588	A1 *	7/2005	Stitchick .....	A47B 47/022 211/183
2009/0178983	A1 *	7/2009	Green .....	H05K 7/186 211/13.1

\* cited by examiner

Fig. 1

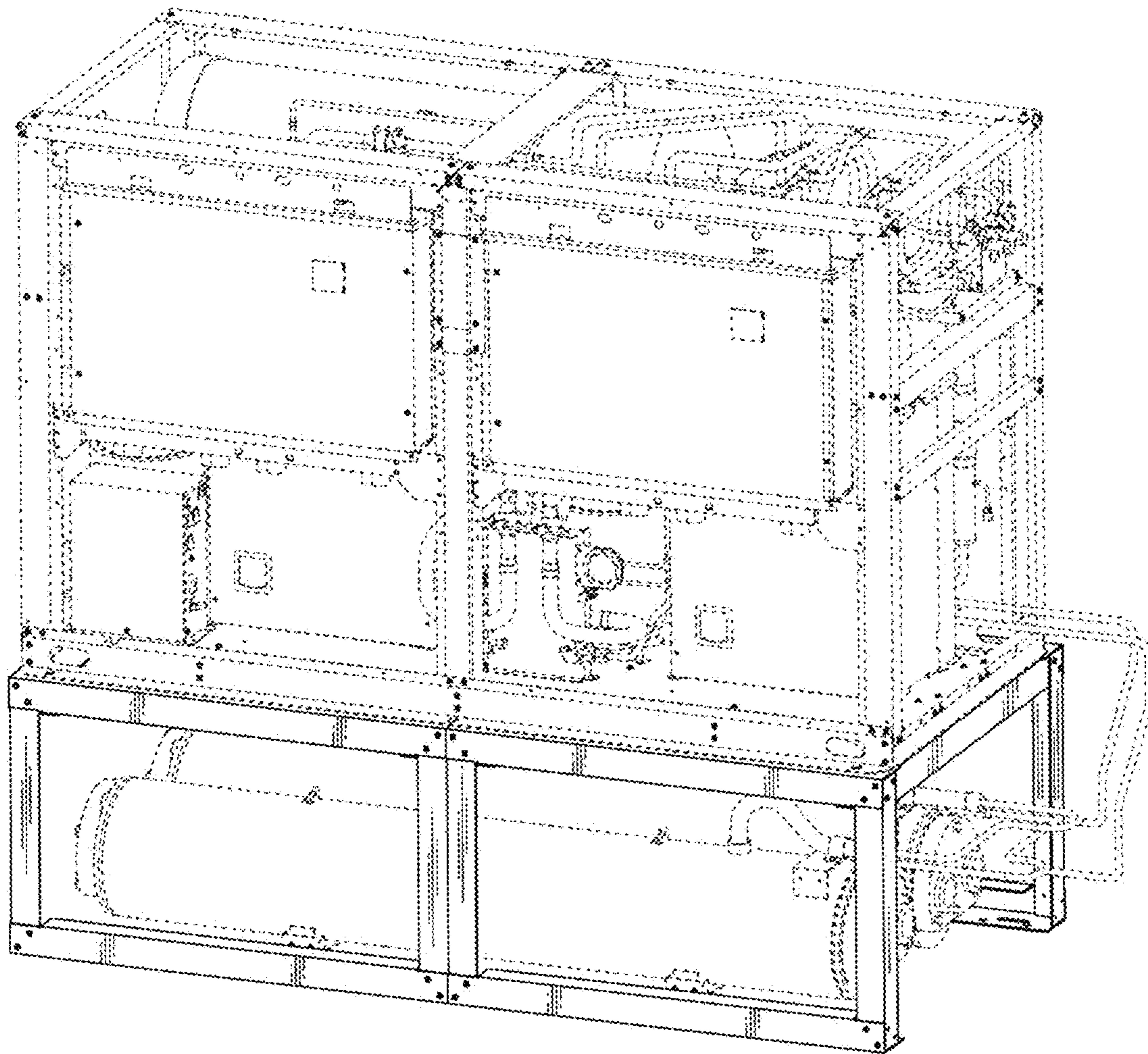


Fig. 2

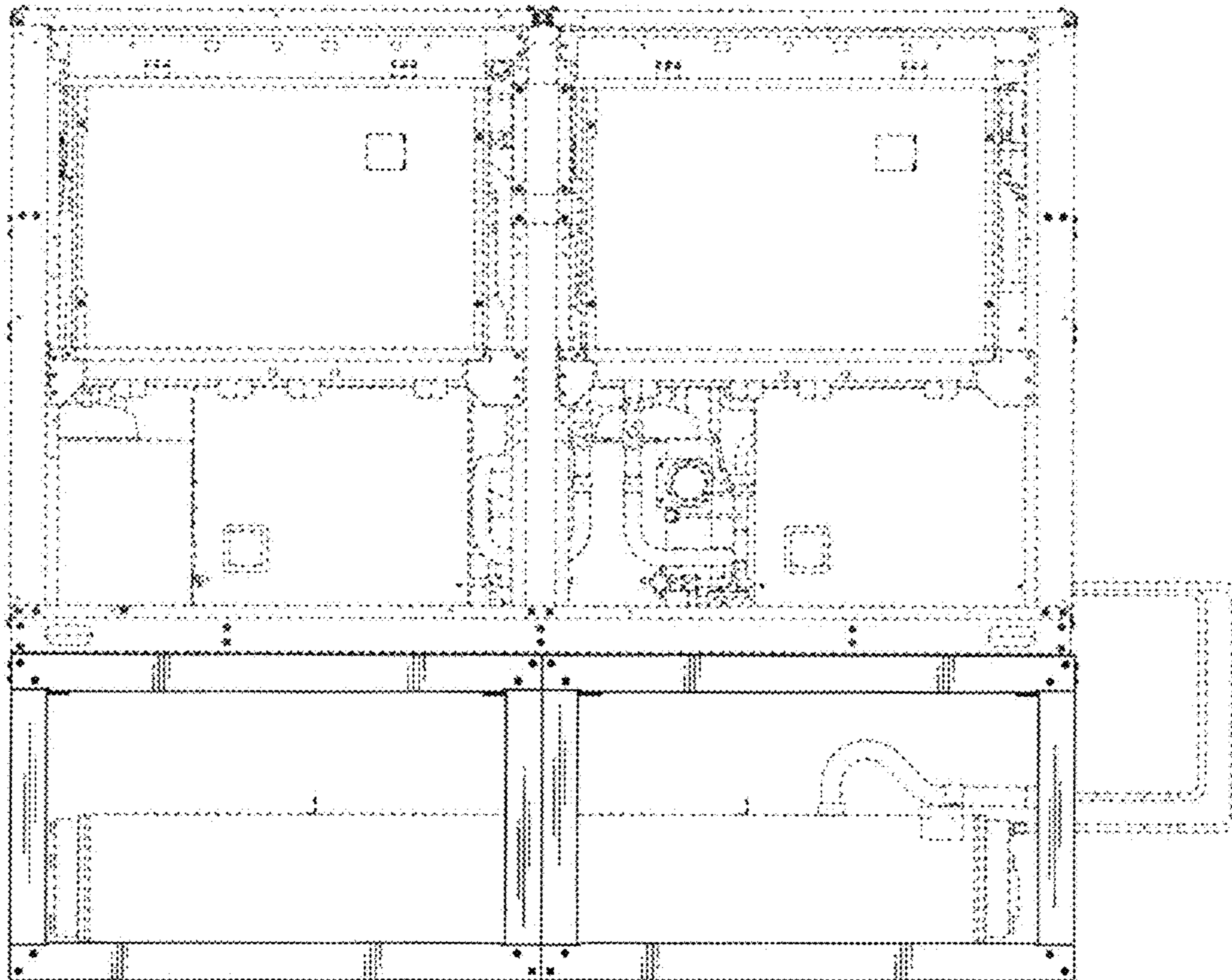


Fig. 3

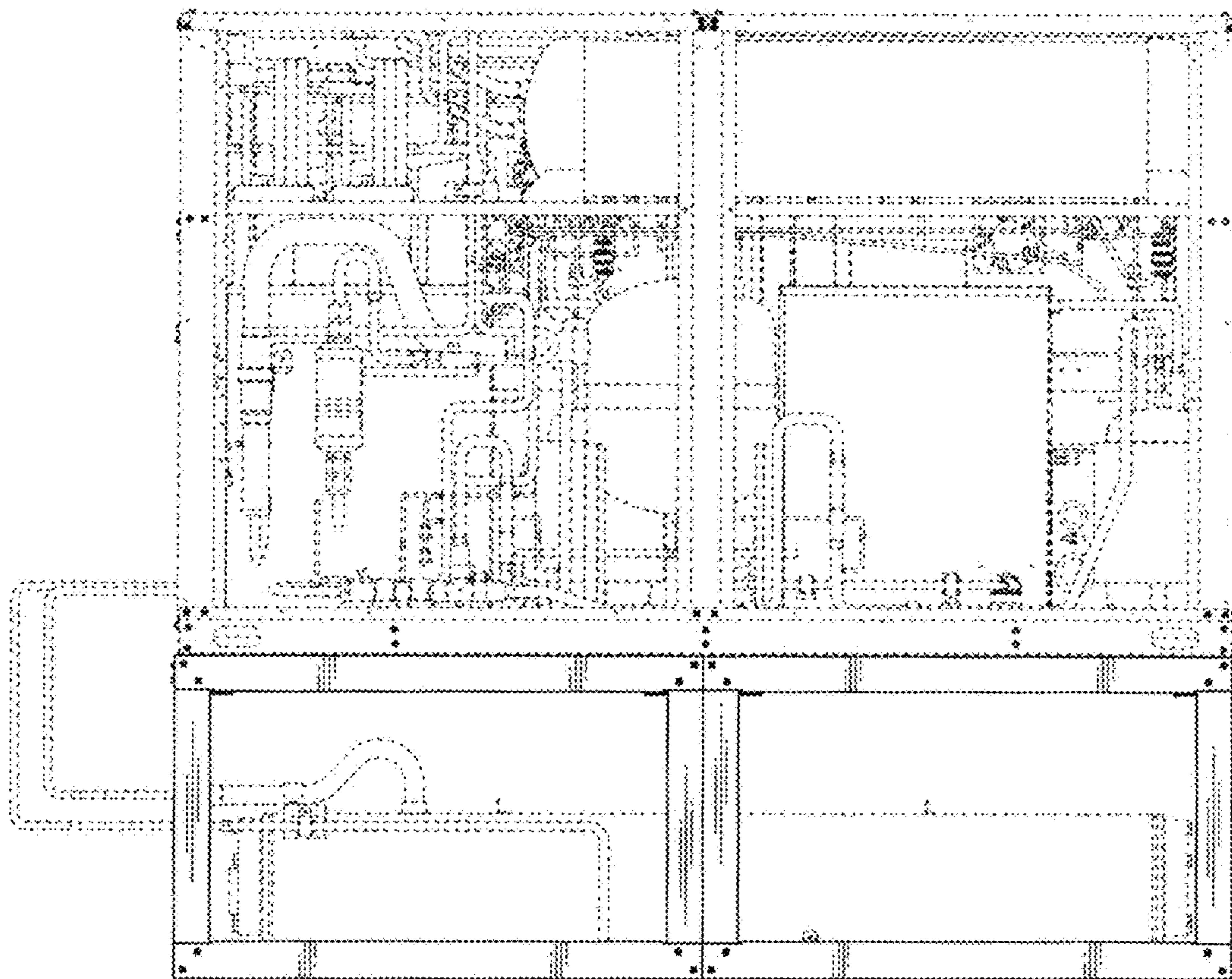


Fig. 4

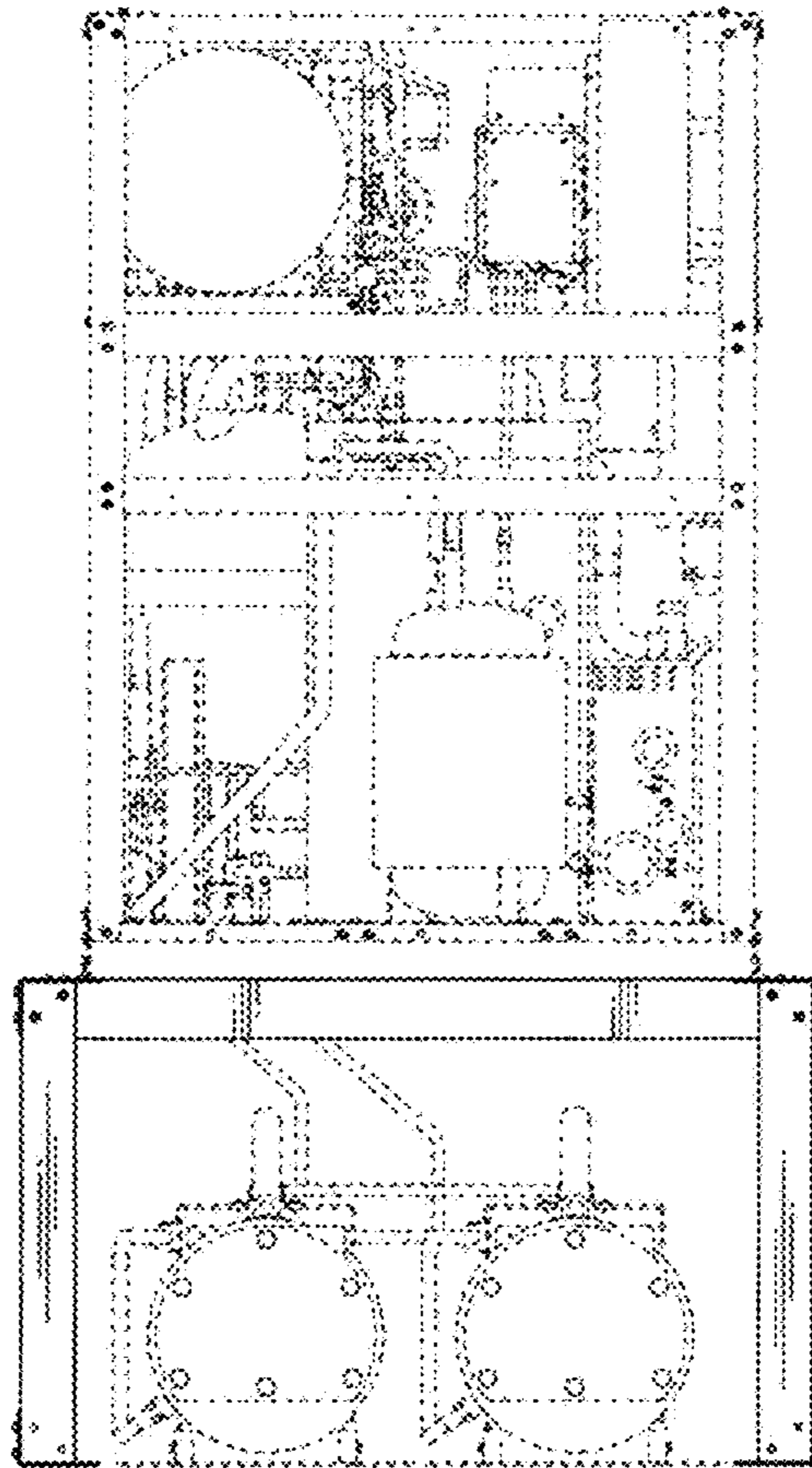


Fig. 5

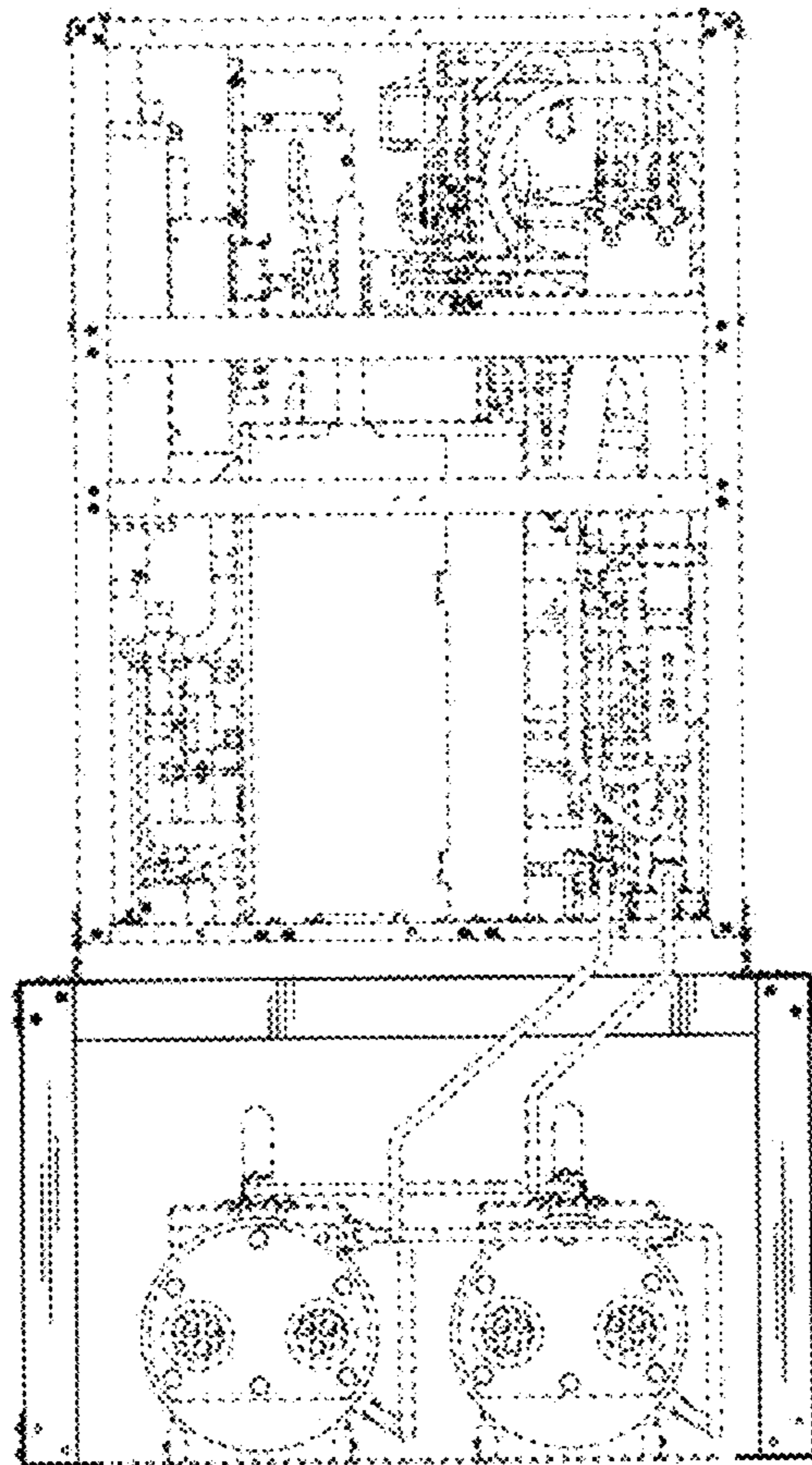


Fig. 6

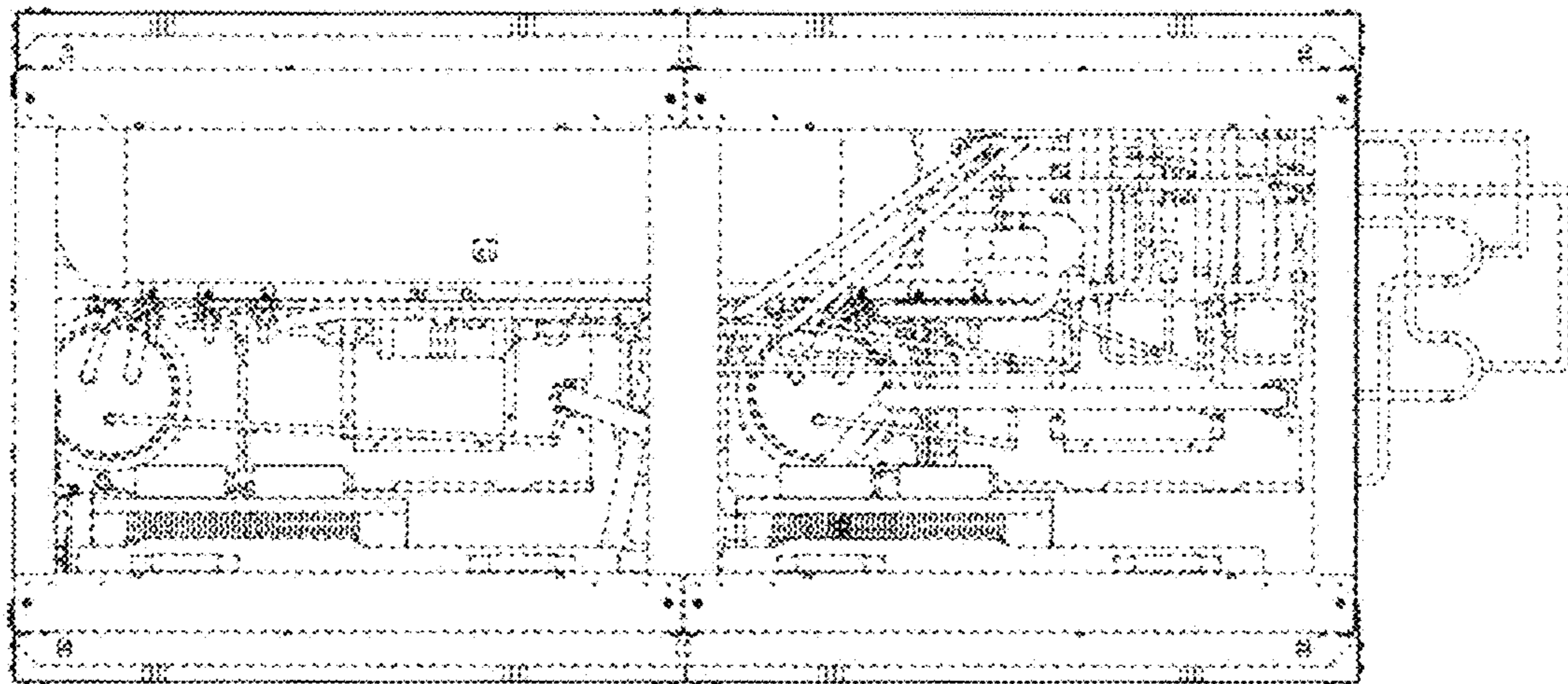




Fig. 7

