



US00D800800S

(12) **United States Design Patent** (10) **Patent No.:** **US D800,800 S**
Park et al. (45) **Date of Patent:** **** Oct. 24, 2017**

(54) **ICE STORAGE CONTAINER FOR REFRIGERATOR**

(71) Applicant: **SAMSUNG ELECTRONICS CO., LTD.**, Suwon-si (KR)
 (72) Inventors: **Youngmin Park**, Seoul (KR); **Hyunsoo Kim**, Seongnam-si (KR); **Cheolwoong Seo**, Seongnam-si (KR); **Sunmin Lee**, Seoul (KR)

(73) Assignee: **SAMSUNG ELECTRONICS CO., LTD.**, Gyeonggi-Do (KR)

(**) Term: **15 Years**

(21) Appl. No.: **29/575,611**

(22) Filed: **Aug. 26, 2016**

(30) **Foreign Application Priority Data**

Feb. 26, 2016 (KR) 30-2016-0008902

(51) **LOC (10) Cl.** **15-07**

(52) **U.S. Cl.**
 USPC **D15/89**

(58) **Field of Classification Search**

USPC D15/79-91
 CPC F25D 25/02; F25D 23/00; F25D 25/024; F25D 2325/022; F25D 23/067; F25D 27/00; F25D 2325/021; F25D 25/04; F25D 23/04; F25D 2400/22; F25D 25/025; F25D 11/00; F25D 11/02; F25D 23/025; F25D 23/12; F25D 2400/40; F25D 25/027; F25D 27/005; F25D 17/042; F25D 2500/06; F25D 2201/00; F25D 2317/0411; F25D 2323/122; F25D 2327/00; F25D 2331/803; F25D 2331/81; F25D 23/028; F25D 23/062; F25D 23/126

See application file for complete search history.

(56) **References Cited**

U.S. PATENT DOCUMENTS

D551,262	S	*	9/2007	Becke	D15/89
D710,405	S	*	8/2014	Seo	D15/89
D714,845	S	*	10/2014	Jeon	D15/89
D717,349	S	*	11/2014	Seo	D15/89
D733,773	S	*	7/2015	Lee	D15/89
D745,068	S	*	12/2015	Jeon	D15/89
D761,884	S	*	7/2016	Austin	D15/89
D769,947	S	*	10/2016	Lee	D15/89
D770,543	S	*	11/2016	Lee	D15/89

(Continued)

FOREIGN PATENT DOCUMENTS

CN	302842504	S	6/2014
CN	303348494	S	8/2015

(Continued)

Primary Examiner — Mitchell Siegel

Assistant Examiner — Khawaja Anwar

(74) *Attorney, Agent, or Firm* — Cantor Colburn LLP

(57) **CLAIM**

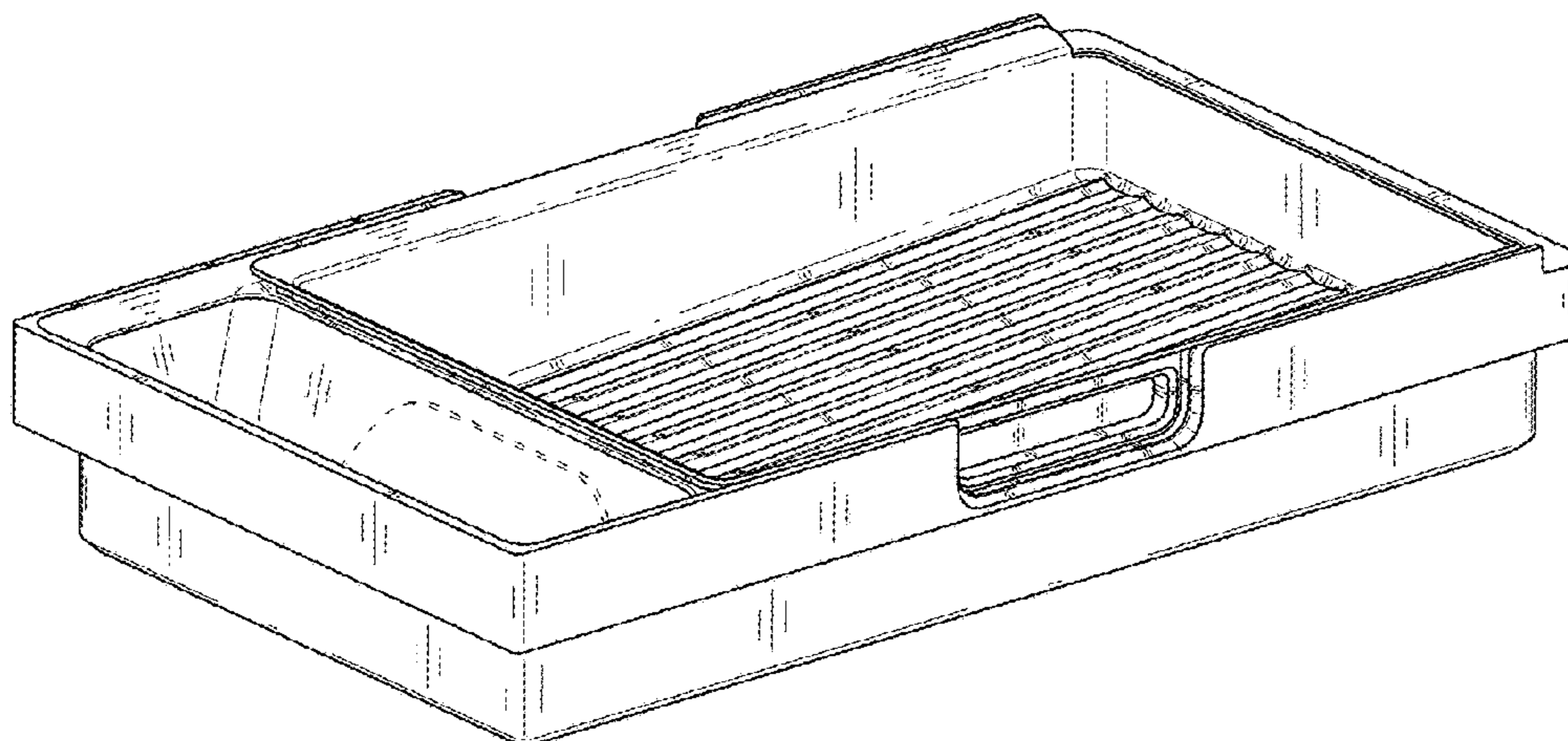
The ornamental design for an ice storage container for refrigerator, as shown and described.

DESCRIPTION

FIG. 1 is a perspective view of an ice storage container for refrigerator, showing our new design;
 FIG. 2 is a front view thereof;
 FIG. 3 is a rear view thereof;
 FIG. 4 is a left side view thereof;
 FIG. 5 is a right side view thereof;
 FIG. 6 is a top view thereof;
 FIG. 7 is a bottom view thereof; and,
 FIG. 8 is another perspective view thereof in an environment of use.

The broken lines showing in the drawings are for illustrative purposes only and form no part of the claimed design.

1 Claim, 8 Drawing Sheets



(56)

References Cited

U.S. PATENT DOCUMENTS

D770,544 S * 11/2016 Lee D15/89
D788,190 S * 5/2017 Kim D15/89

FOREIGN PATENT DOCUMENTS

KR 300334416 9/2003
KR 300487013 4/2008

* cited by examiner

FIG. 1

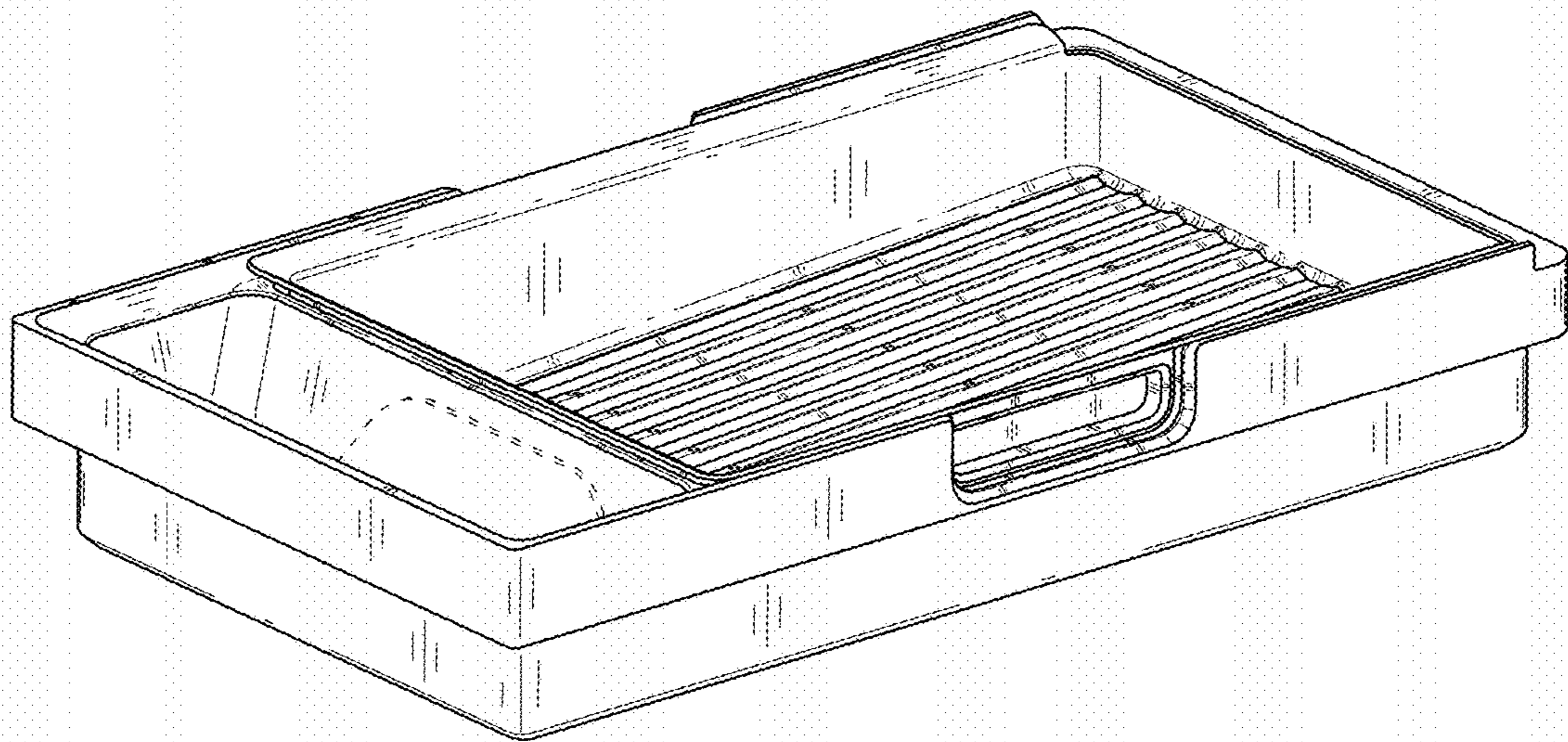


FIG. 2

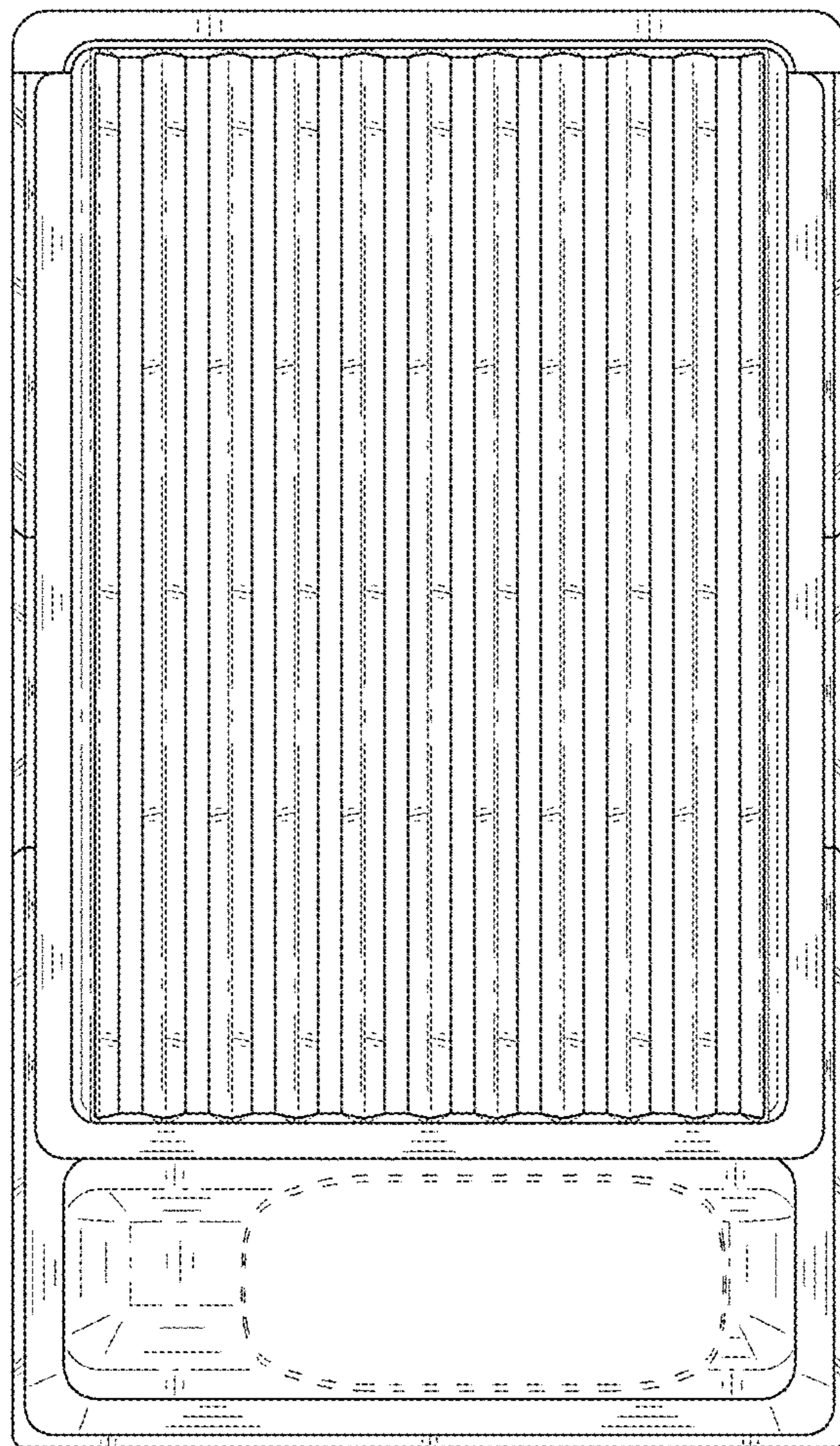


FIG. 3

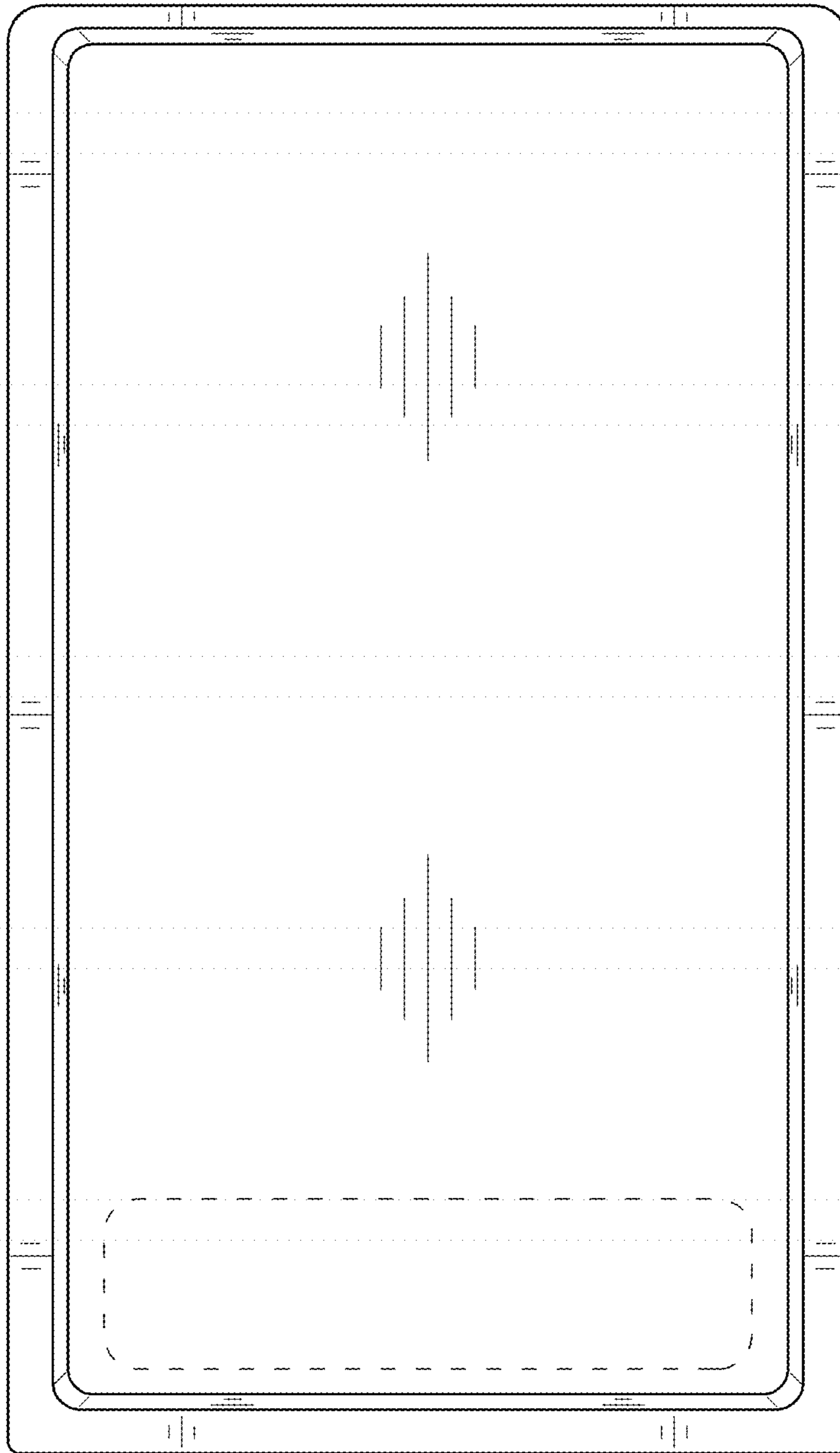


FIG. 4

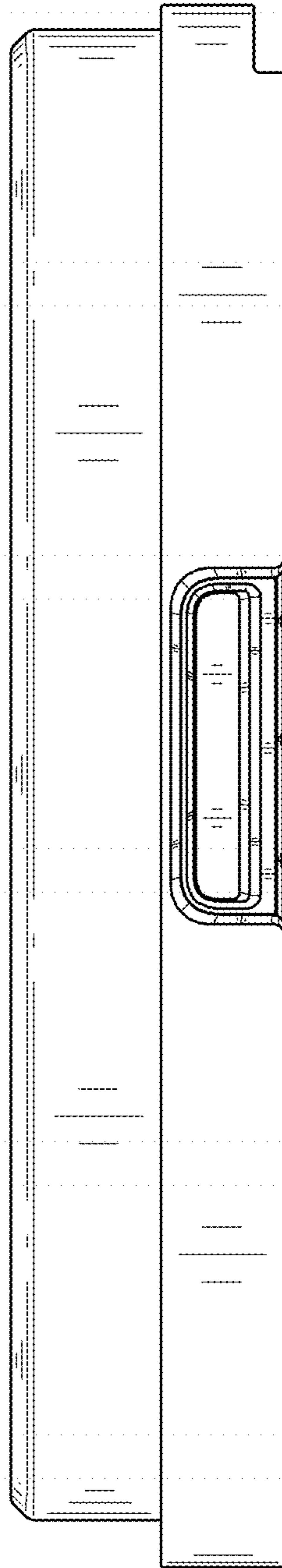


FIG. 5

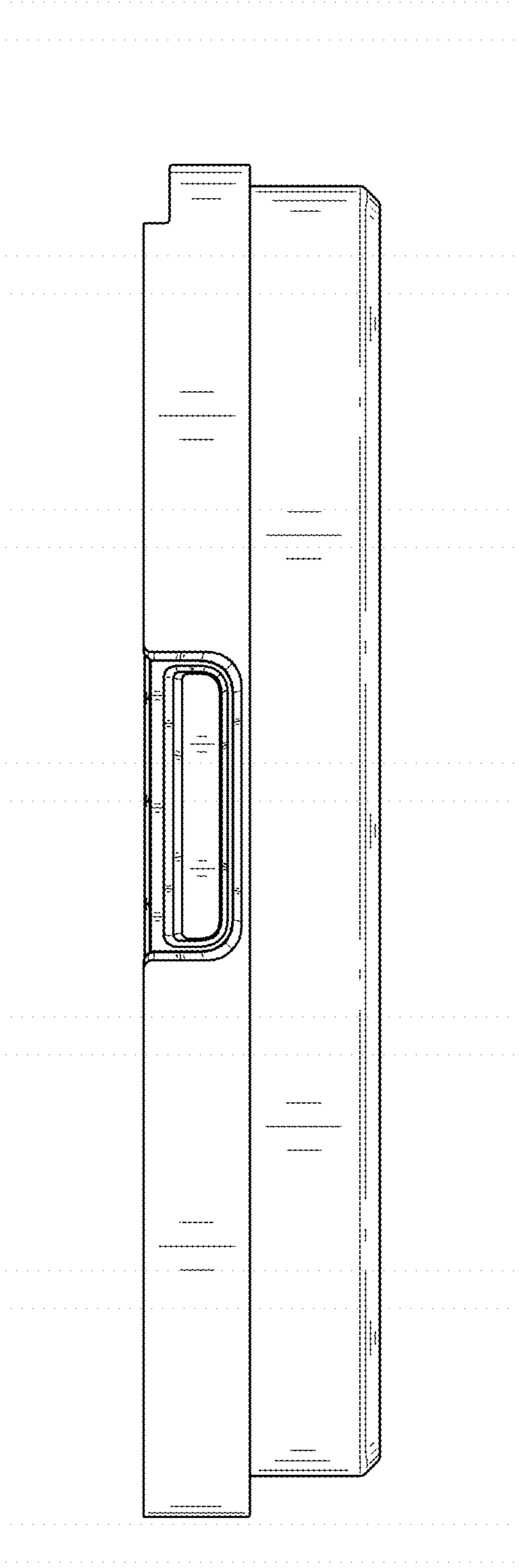


FIG. 6

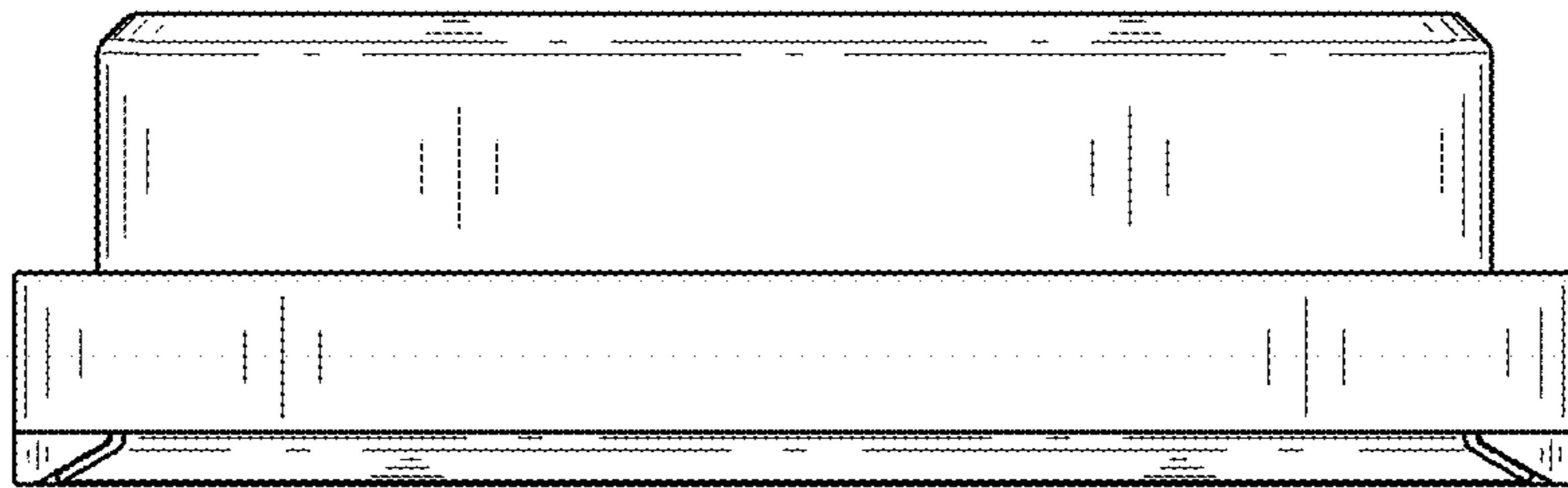


FIG. 7

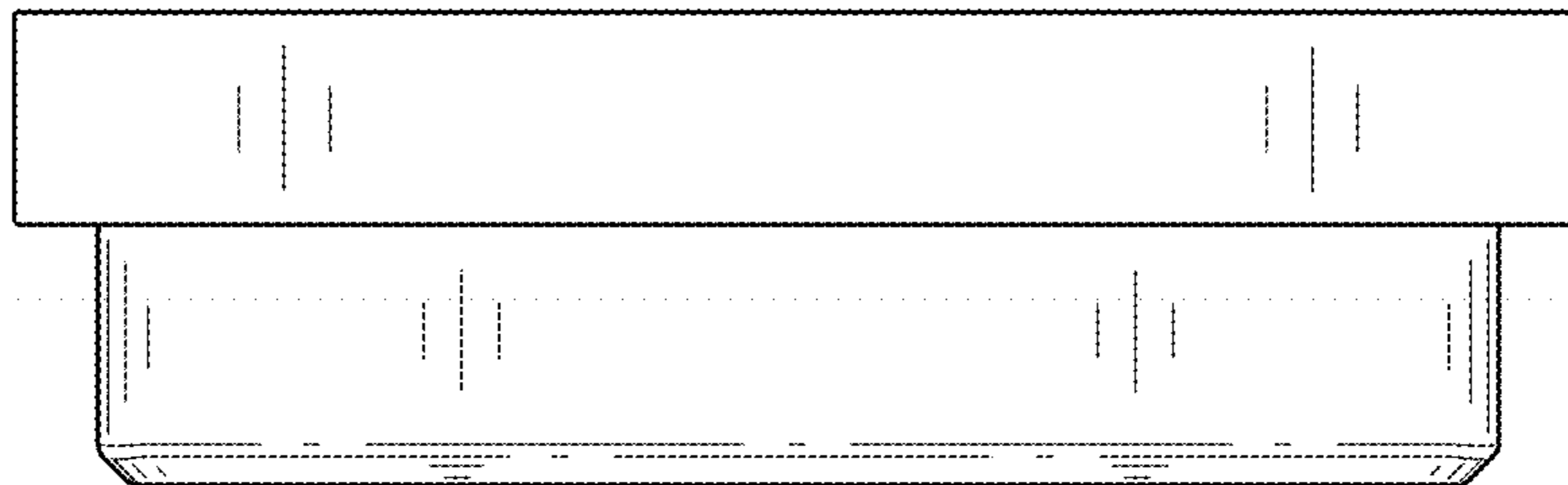


FIG. 8

