



US00D800798S

(12) **United States Design Patent** (10) **Patent No.:** **US D800,798 S**
Stewart (45) **Date of Patent:** **** Oct. 24, 2017**

(54) **PLOWING TINE TIP**

31/1135; E21B 34/12; E21B 37/02; E21B 3/00; E21B 41/00; E21B 43/126

See application file for complete search history.

(71) Applicant: **Pearson Engineering Limited,**
Newcastle Upon Tyne (GB)

(56) **References Cited**

(72) Inventor: **Glen Stewart,** Washington (GB)

U.S. PATENT DOCUMENTS

(73) Assignee: **Pearson Engineering Limited,** New
Castle Upon Tyne (GB)

1,808,311 A 9/1929 Madonna
2,606,413 A 8/1952 Gray
4,127,073 A 11/1978 Blair
4,799,823 A 1/1989 Williams

(Continued)

(**) Term: **15 Years**

FOREIGN PATENT DOCUMENTS

(21) Appl. No.: **29/541,431**

CN 101153497 4/2008
CN 102418363 4/2012

(22) Filed: **Oct. 2, 2015**

(Continued)

(51) **LOC (10) Cl.** **15-03**

(52) **U.S. Cl.**

USPC **D15/29**

(58) **Field of Classification Search**

USPC D15/10, 11, 13, 20, 21, 26, 28, 27, 29,
D15/32, 199

CPC . E21B 10/26; E21B 10/43; E21B 7/28; E21B
10/00; E21B 10/36; E21B 4/14; E21B
10/55; E21B 10/58; E21B 10/32; E21B
10/42; E21B 10/322; E21B 10/38; E21B
10/44; E21B 10/62; E21B 17/076; E21B
1/00; E21B 25/00; E21B 41/02; E21B
4/02; E21B 7/00; E21B 7/04; E21B
7/064; E21B 7/26; E21B 10/02; E21B
10/04; E21B 10/10; E21B 10/14; E21B
10/22; E21B 10/24; E21B 10/25; E21B
10/28; E21B 10/30; E21B 10/325; E21B
10/40; E21B 10/445; E21B 10/52; E21B
17/14; E21B 17/16; E21B 17/20; E21B
2010/563; E21B 2034/007; E21B 21/12;
E21B 21/16; E21B 25/02; E21B 29/00;
E21B 29/06; E21B 31/107; E21B

OTHER PUBLICATIONS

Barcelo, Bryony "Combined Search and Examination Report—
Great Britain patent application No. GB1517345.3" dated Mar. 11,
2016, United Kingdom Intellectual Property Office; pp. 1-8.

Primary Examiner — Ian Simmons

Assistant Examiner — Khawaja Anwar

(74) *Attorney, Agent, or Firm* — Thomas G. Peterson;
Nicholas J. Landau; Bradley Arant Boult Cummings LLP

(57) **CLAIM**

The ornamental design for a plowing tine tip, as shown and
described.

DESCRIPTION

FIG. 1 shows a perspective view of a plowing tine tip,
showing my new design, in a use condition;
FIG. 2 shows an alternate perspective view thereof;
FIG. 3 shows an alternate perspective view thereof;
FIG. 4 shows an alternate perspective view thereof;
FIG. 5 shows a front elevation view thereof, shown without
environment;
FIG. 6 shows a rear elevation view thereof;

(Continued)

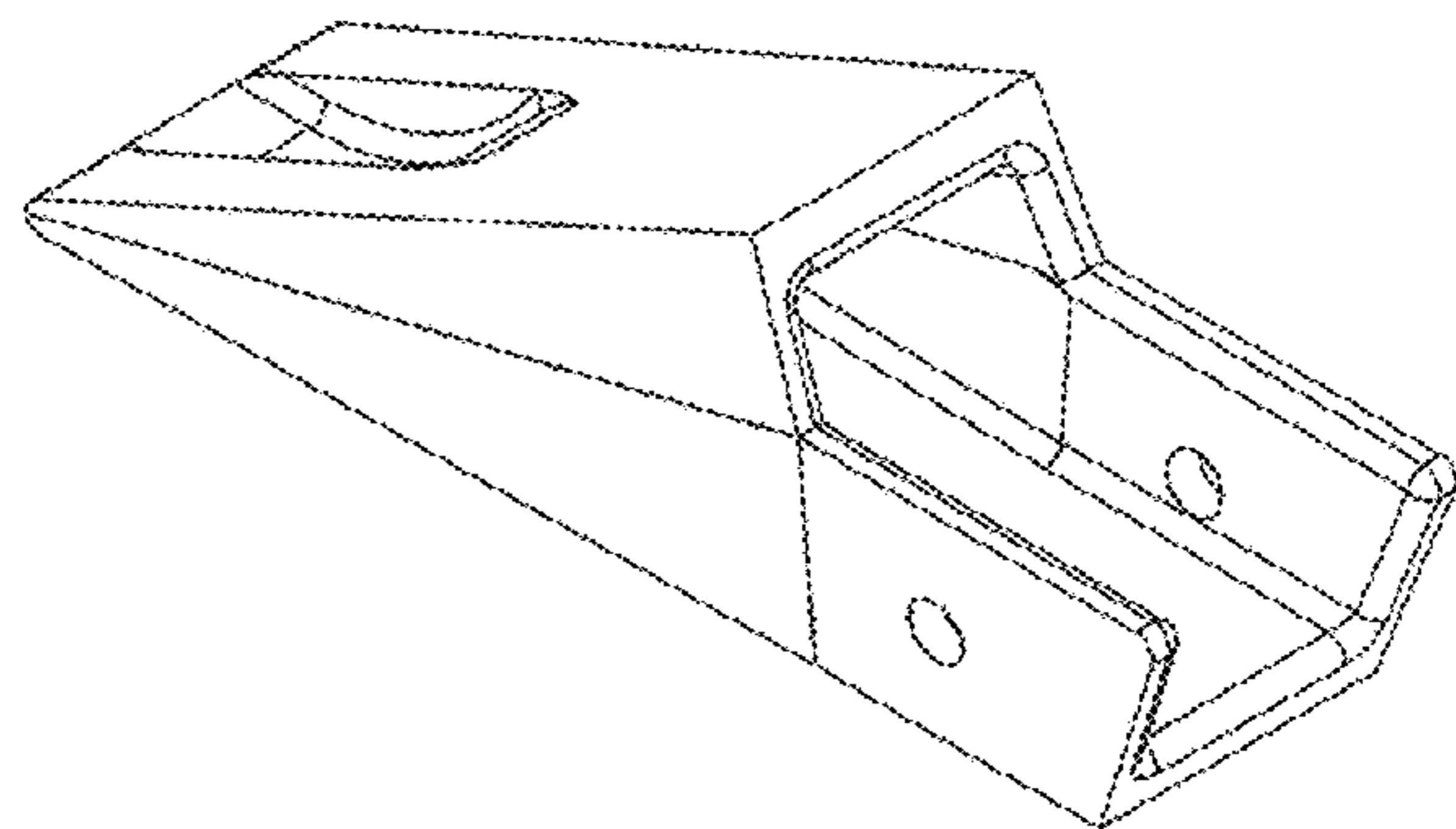
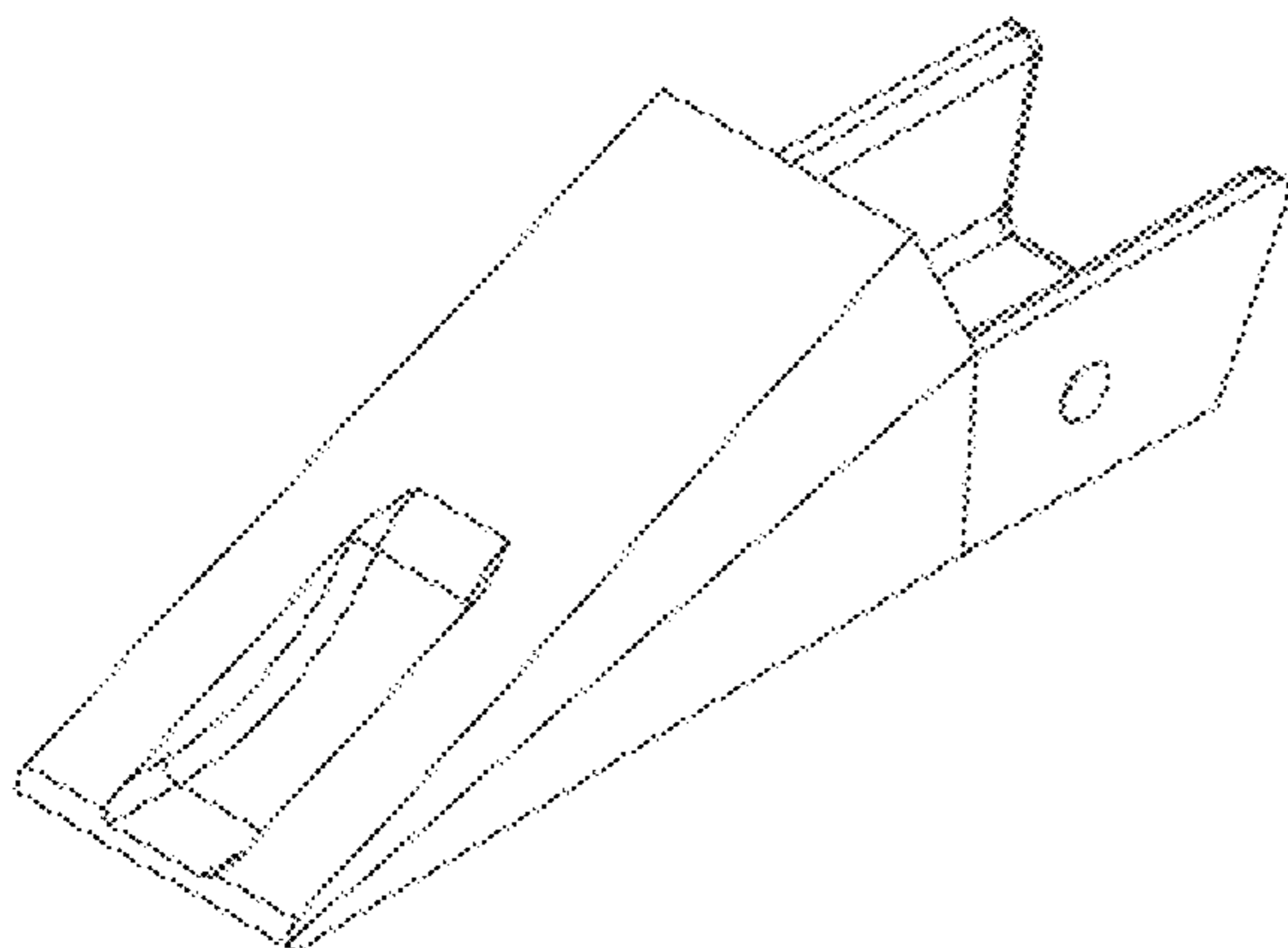


FIG. 7 shows a side elevation view thereof;
FIG. 8 shows a top plan view thereof; and,
FIG. 9 shows a bottom plan view thereof.

1 Claim, 9 Drawing Sheets

(56)

References Cited

U.S. PATENT DOCUMENTS

5,018,283	A *	5/1991	Fellner	E02F 9/2858 37/452
D429,256	S *	8/2000	Zaun	D15/29
D461,198	S *	8/2002	Ketting	D15/29
D705,823	S *	5/2014	Haslett	D15/28
D727,979	S *	4/2015	Renski	D15/29
D727,982	S *	4/2015	Renski	D15/28
D735,773	S *	8/2015	Aracama Martinez de Lahidalga	D15/29
D748,681	S *	2/2016	Renski	D15/28
D748,683	S *	2/2016	Renski	D15/28
D748,684	S *	2/2016	Renski	D15/28
2007/0256335	A1	11/2007	De Martiis	
2008/0229627	A1	9/2008	Calderwood	

FOREIGN PATENT DOCUMENTS

FR	2518606	6/1983
GB	2402313	8/2004
GB	2532335	5/2016

* cited by examiner

FIG.1

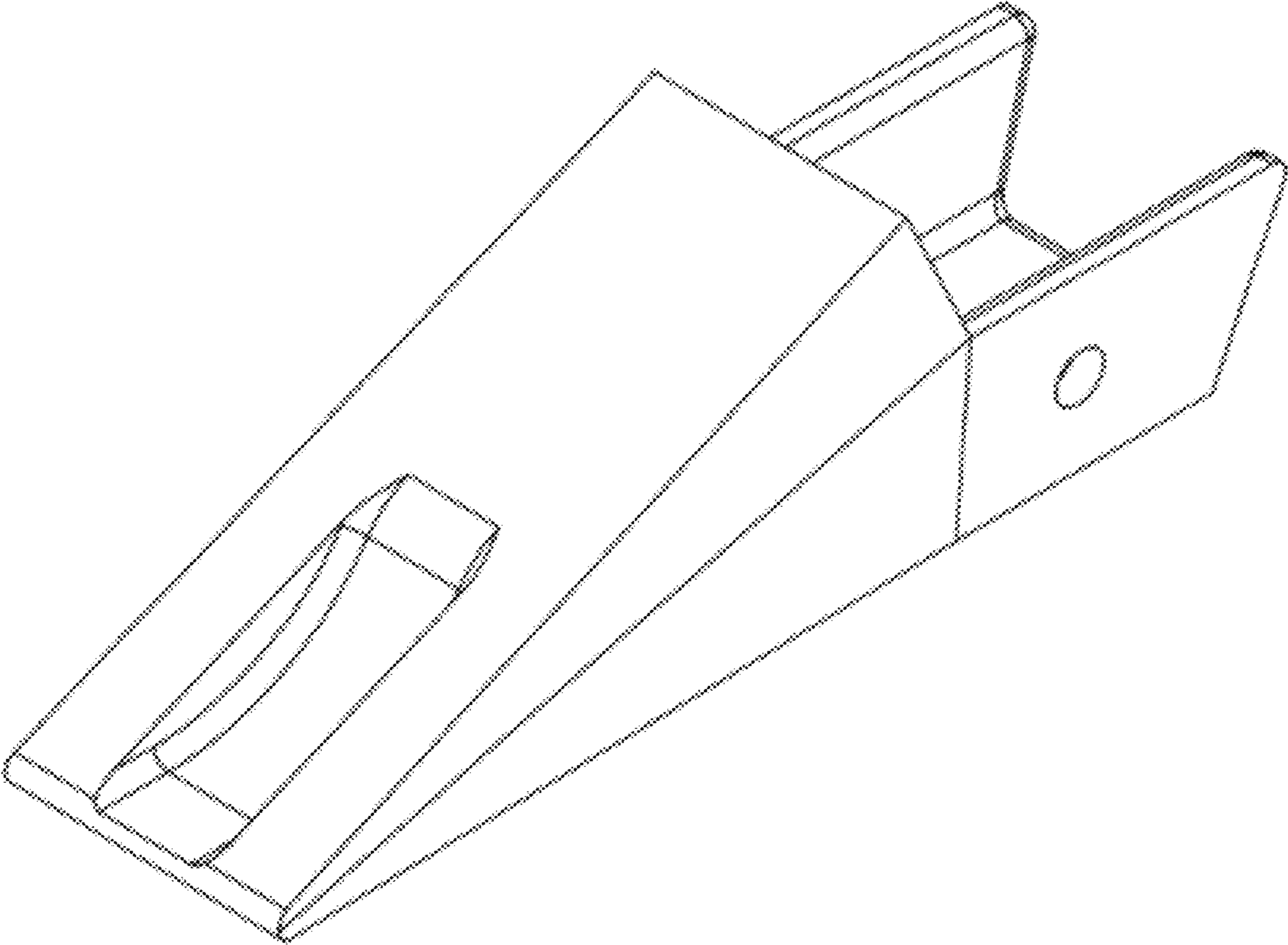


FIG. 2

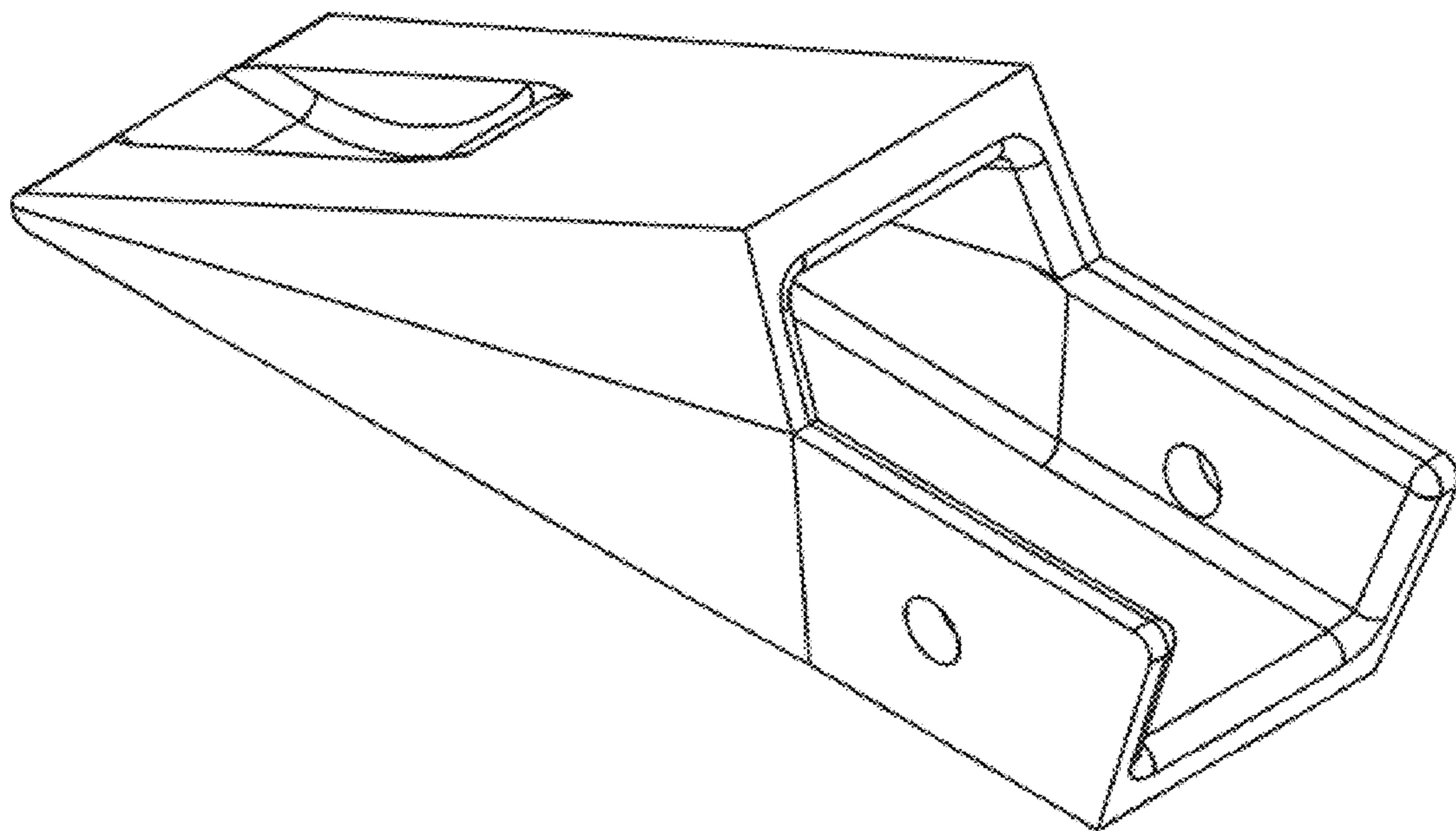


FIG. 3

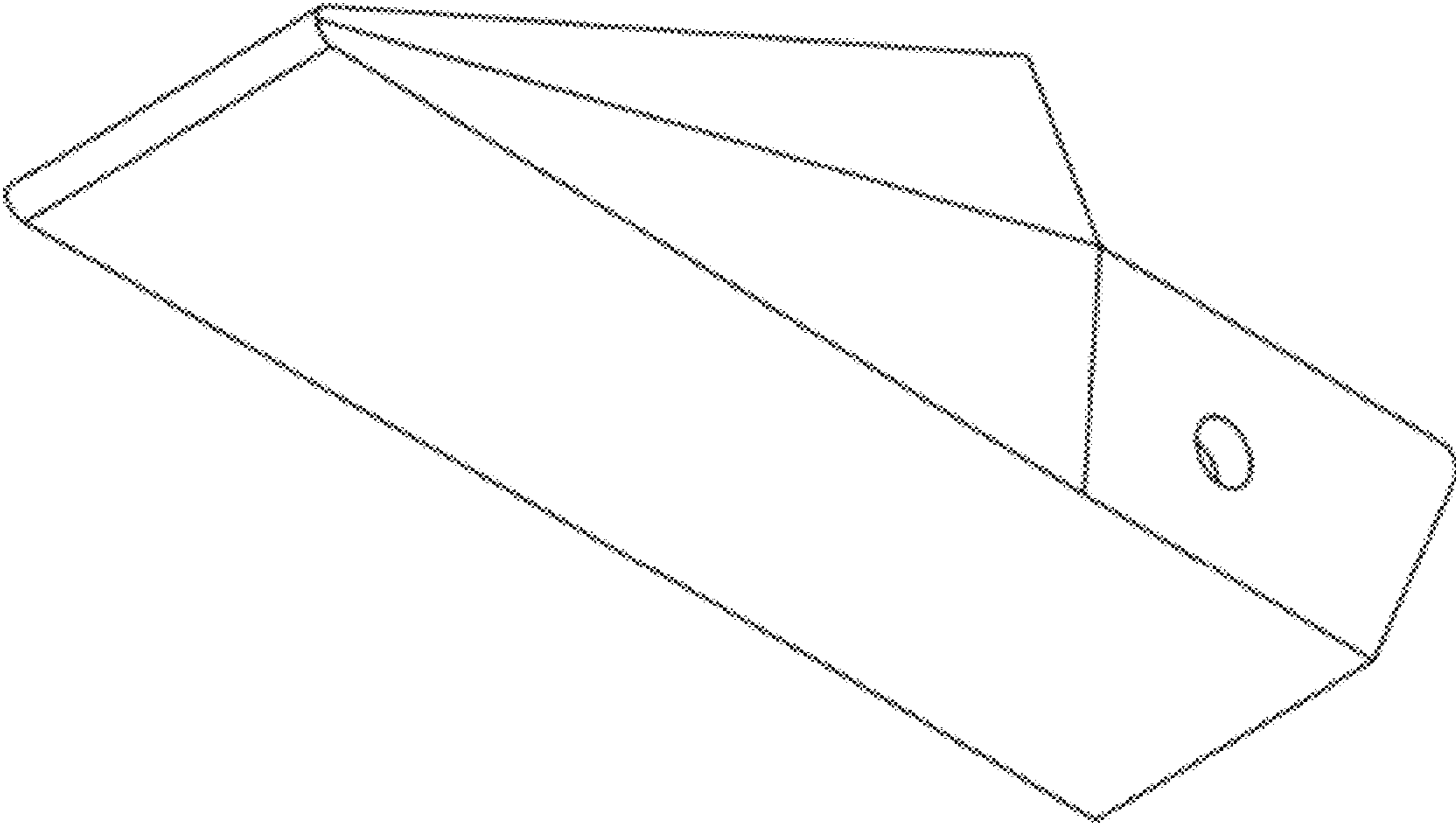


FIG. 4

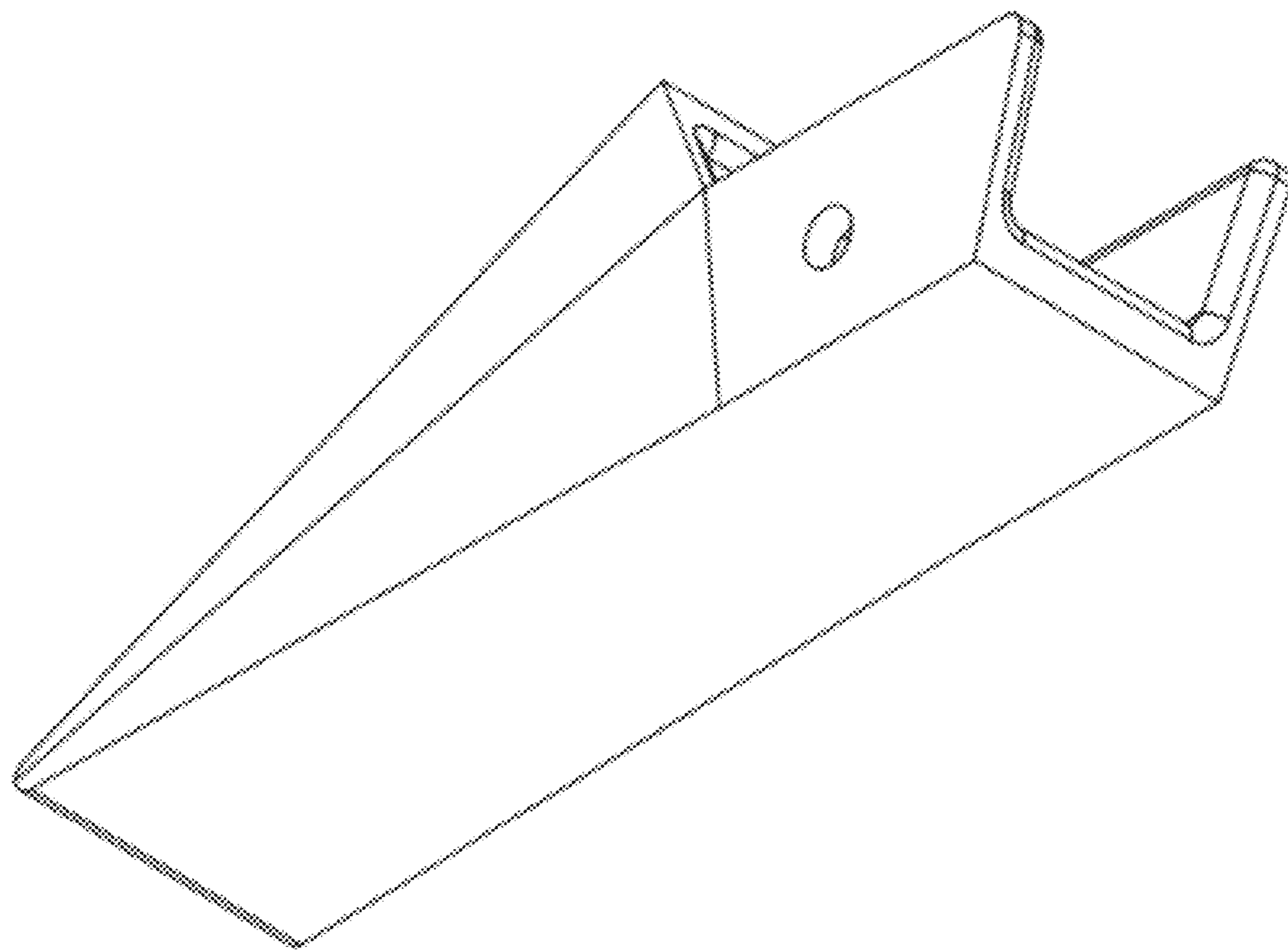


FIG. 5

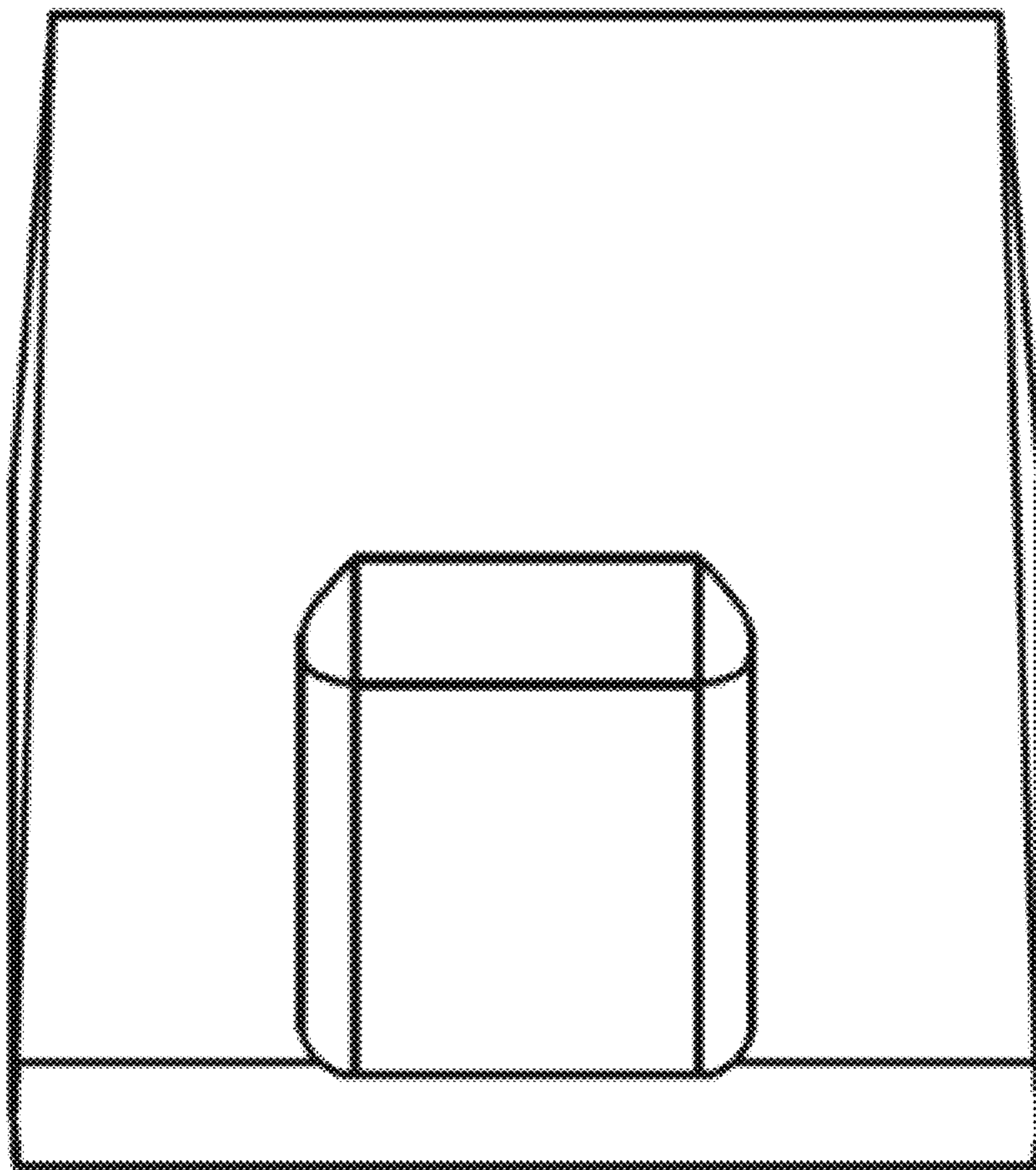


FIG. 6

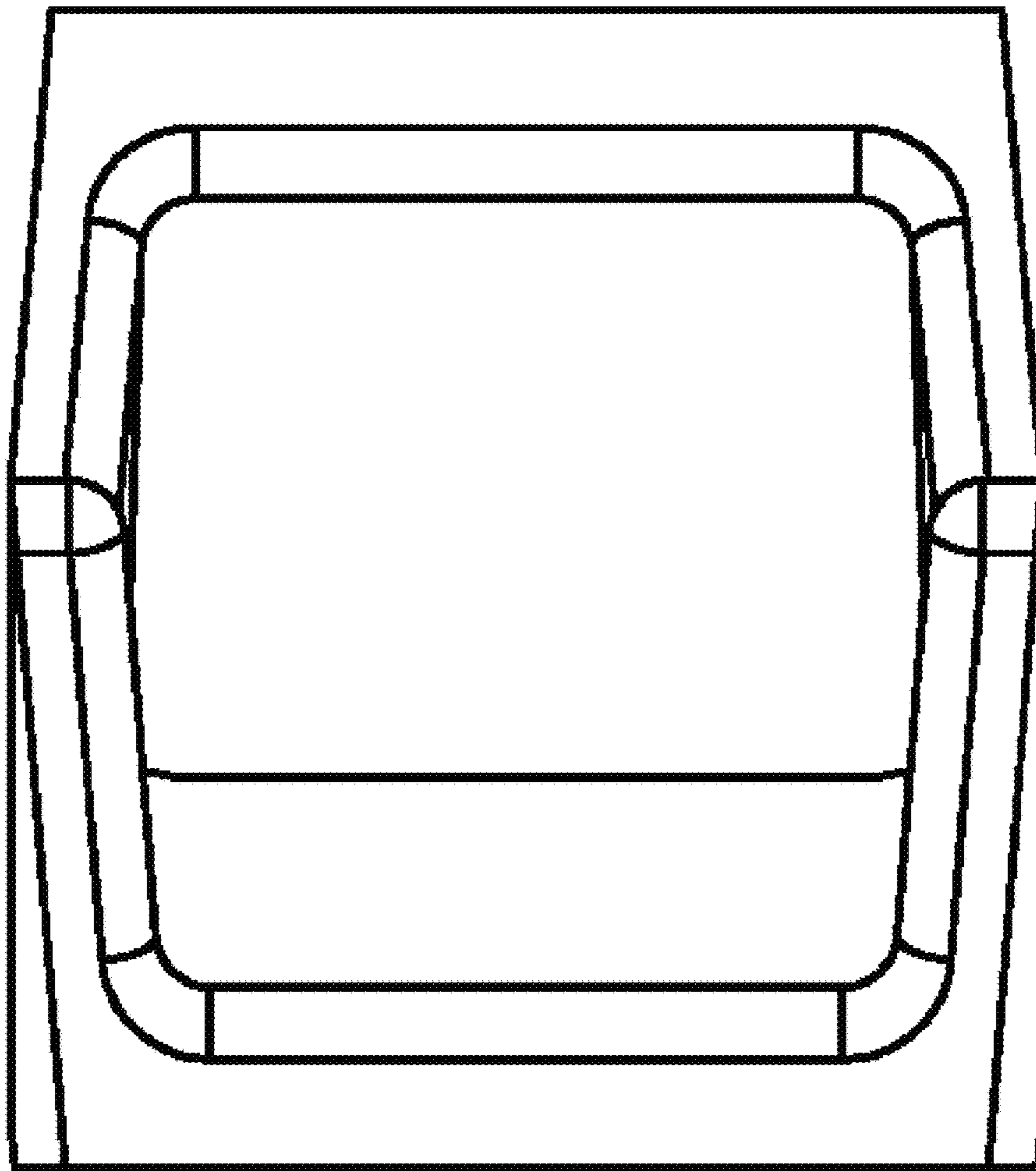


FIG. 7

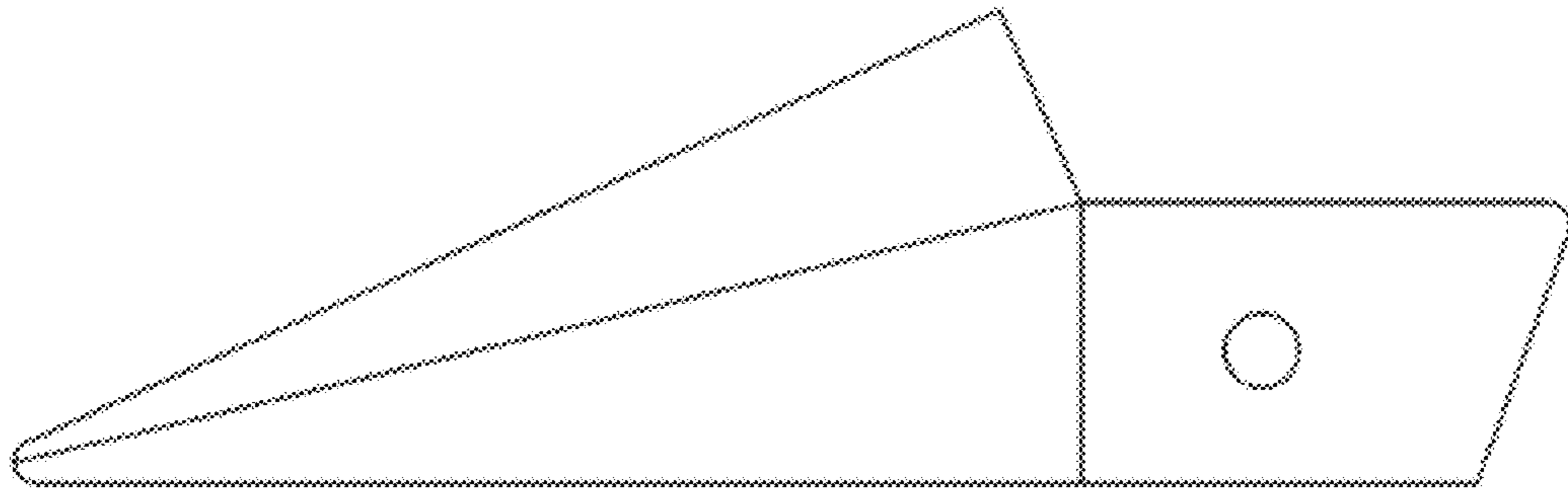


FIG. 8

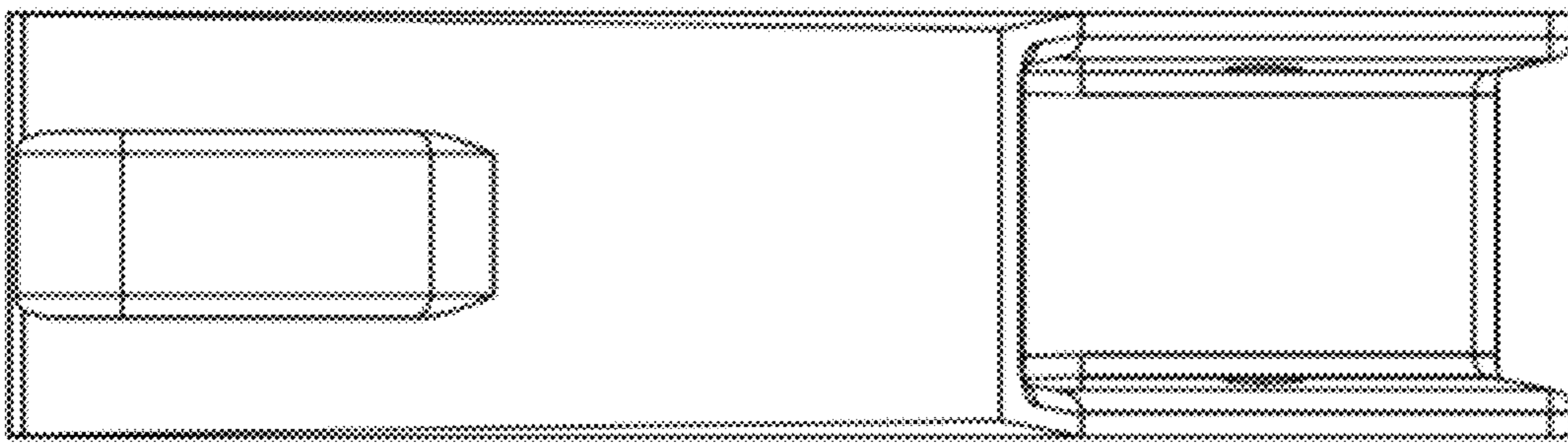


FIG. 9

