



US00D800794S

(12) **United States Design Patent**  
**Loew et al.**

(10) **Patent No.:** **US D800,794 S**  
(45) **Date of Patent:** **\*\* Oct. 24, 2017**

(54) **RUBBER-TIRED ROAD ROLLER**  
(71) Applicant: **BOMAG GmbH**, Boppard (DE)  
(72) Inventors: **Roland Loew**, Klein-Winternheim (DE); **Christian Berg**, Völkenroth (DE); **Thomas Klein**, Wehr (DE); **Tobias Schönberg**, Oberelbert (DE)

D699,764 S \* 2/2014 Loew ..... D15/20  
D720,779 S \* 1/2015 Loew ..... D15/20  
D744,543 S \* 12/2015 Loew ..... D15/20  
D745,063 S \* 12/2015 Loew ..... D15/20  
D765,735 S \* 9/2016 Roemer ..... D15/20  
D789,424 S \* 6/2017 Roemer ..... D15/20  
2014/0161529 A1\* 6/2014 Darscheid ..... E01C 19/38  
404/84.05

\* cited by examiner

(73) Assignee: **BOMAG GmbH**, Boppard (DE)

*Primary Examiner* — Mark Goodwin

(\*\*) Term: **15 Years**

(74) *Attorney, Agent, or Firm* — Wood Herron & Evans LLP

(21) Appl. No.: **29/587,405**

(57) **CLAIM**

(22) Filed: **Dec. 13, 2016**

The ornamental design for a rubber-tired road roller, as shown and described.

(30) **Foreign Application Priority Data**

**DESCRIPTION**

Jun. 13, 2016 (EM) ..... 003188713-0007

(51) **LOC (10) Cl.** ..... **15-03**

(52) **U.S. Cl.**  
USPC ..... **D15/20**

(58) **Field of Classification Search**  
USPC .... D15/10, 20, 22–26, 28; 280/104, 124.11;  
180/20, 89.12; 404/122, 132, 125, 90  
CPC ..... E02D 3/026; E02D 3/00; B30B 15/00  
See application file for complete search history.

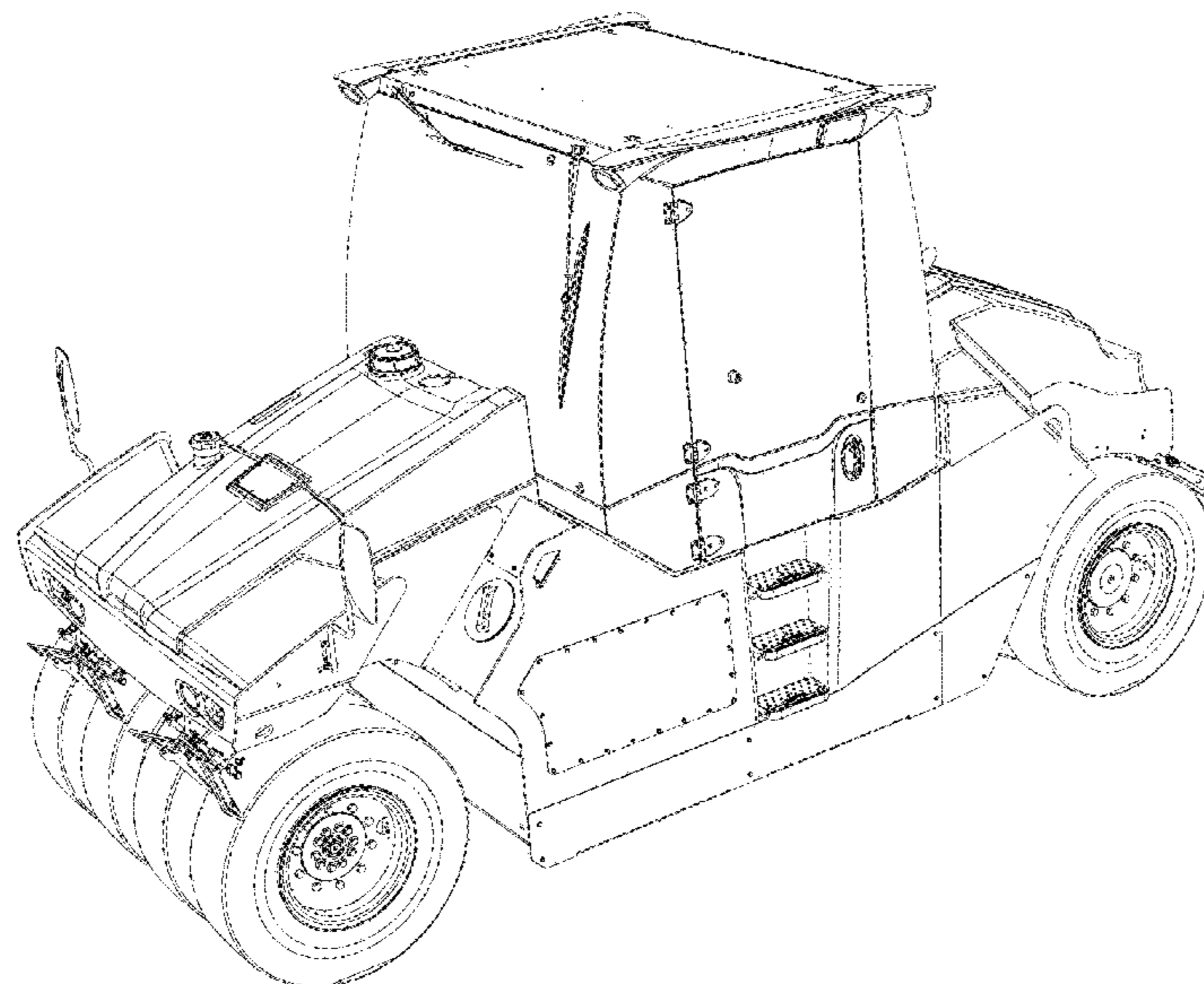
FIG. 1 is a right front perspective view of a rubber-tired road roller showing our new design;  
FIG. 2 is a left front perspective view of the rubber-tired road roller shown in FIG. 1;  
FIG. 3 is a right rear perspective view of the rubber-tired road roller shown in FIG. 1;  
FIG. 4 is a left rear perspective view of the rubber-tired road roller shown in FIG. 1;  
FIG. 5 is a front elevation view of the rubber-tired road roller shown in FIG. 1;  
FIG. 6 is a rear elevation view of the rubber-tired road roller shown in FIG. 1;  
FIG. 7 is a right side elevation view of the rubber-tired road roller shown in FIG. 1;  
FIG. 8 is a left side elevation view of the rubber-tired road roller shown in FIG. 1;  
FIG. 9 is a top plan view of the rubber-tired road roller shown in FIG. 1; and,  
FIG. 10 is a bottom plan view of the rubber-tired road roller shown in FIG. 1.

(56) **References Cited**

**U.S. PATENT DOCUMENTS**

D396,431 S \* 7/1998 Lindgren ..... D12/14  
D516,094 S \* 2/2006 Dotsch ..... D15/20  
D611,505 S \* 3/2010 Loew ..... D15/20  
D611,506 S \* 3/2010 Loew ..... D15/20  
D668,269 S \* 10/2012 Tezuka ..... D15/20  
D668,694 S \* 10/2012 Tezuka ..... D15/31  
D694,278 S \* 11/2013 Ewringmann ..... D15/20  
D694,279 S \* 11/2013 Ewringmann ..... D15/20

**1 Claim, 10 Drawing Sheets**



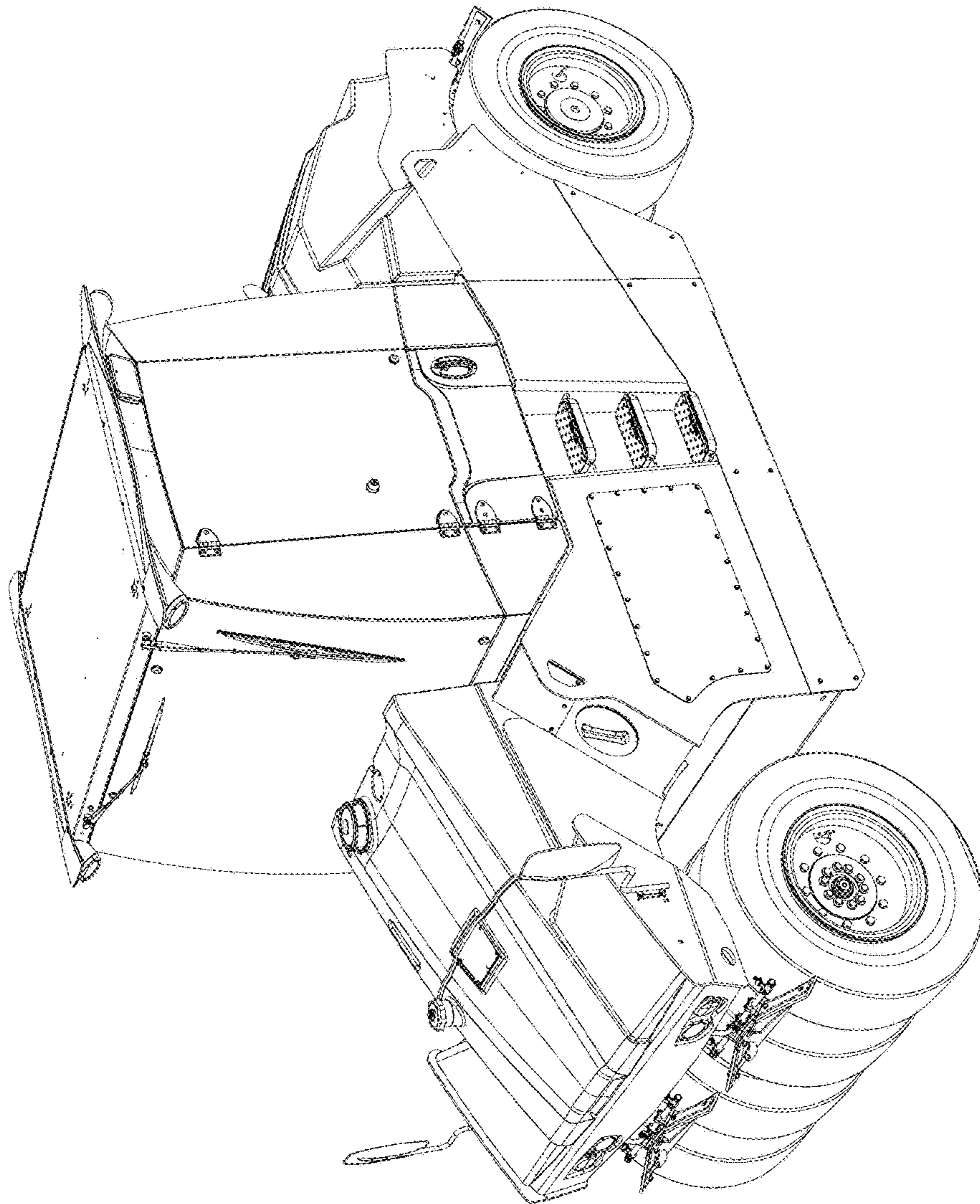


FIG. 1

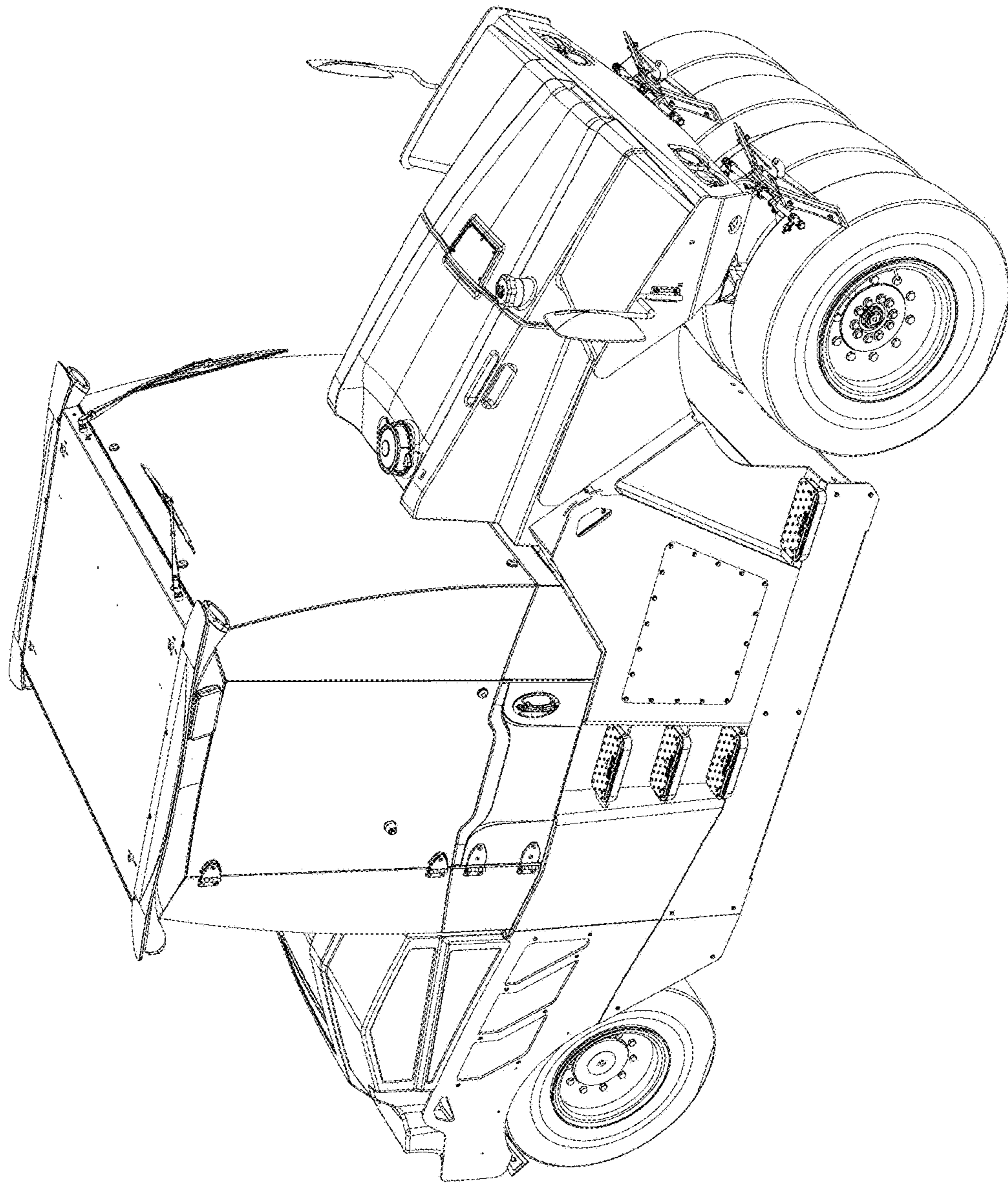


FIG. 2

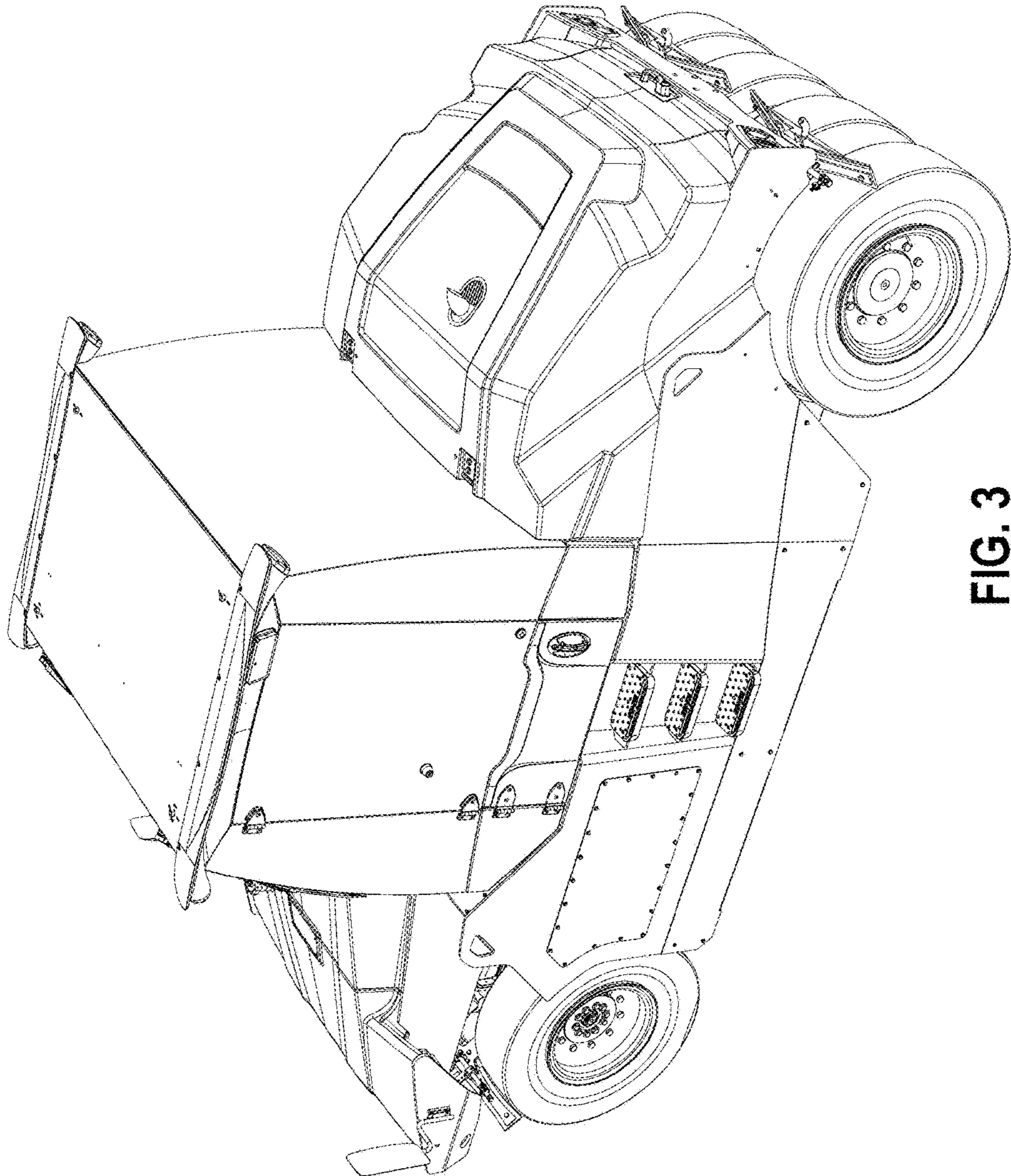


FIG. 3

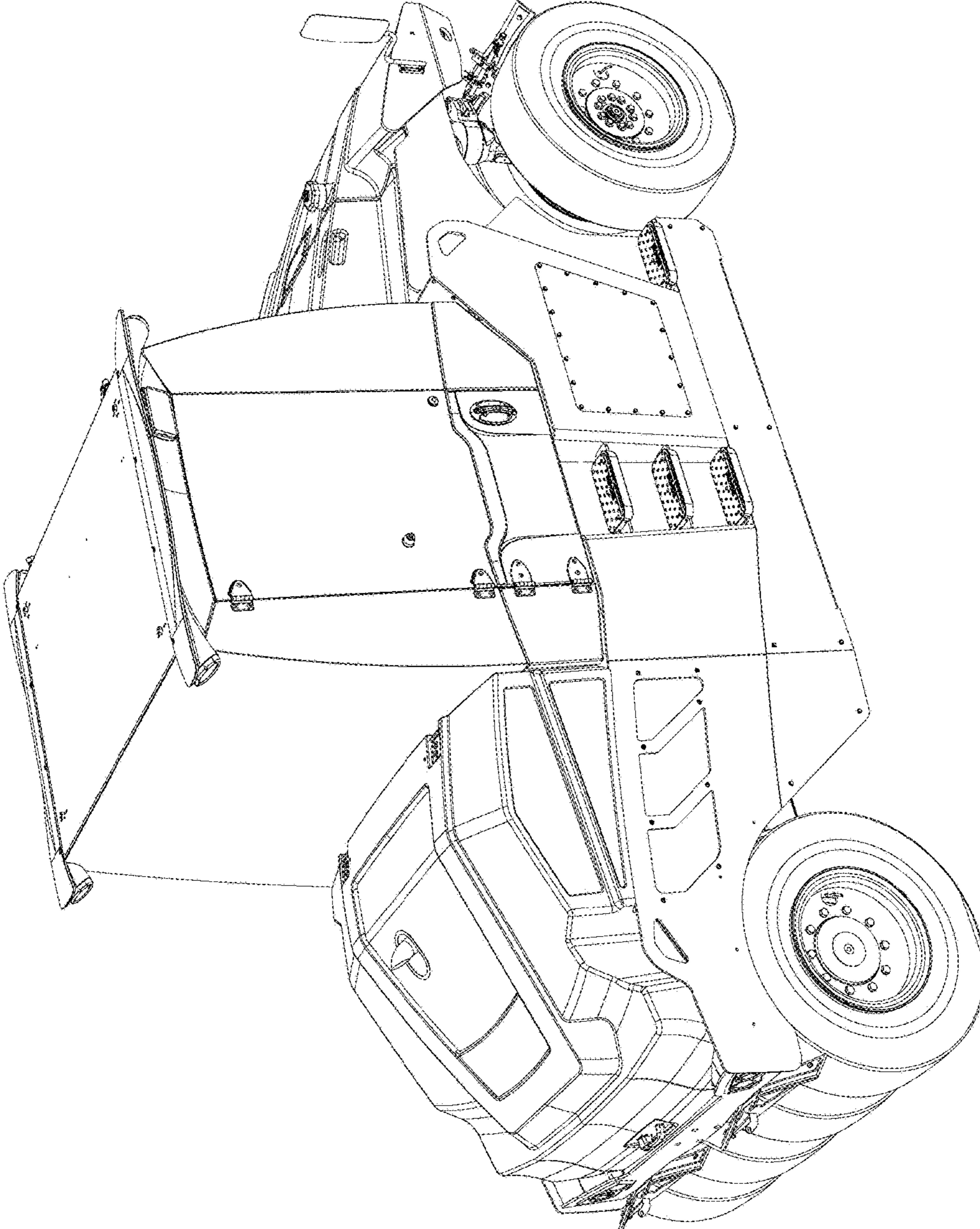


FIG. 4

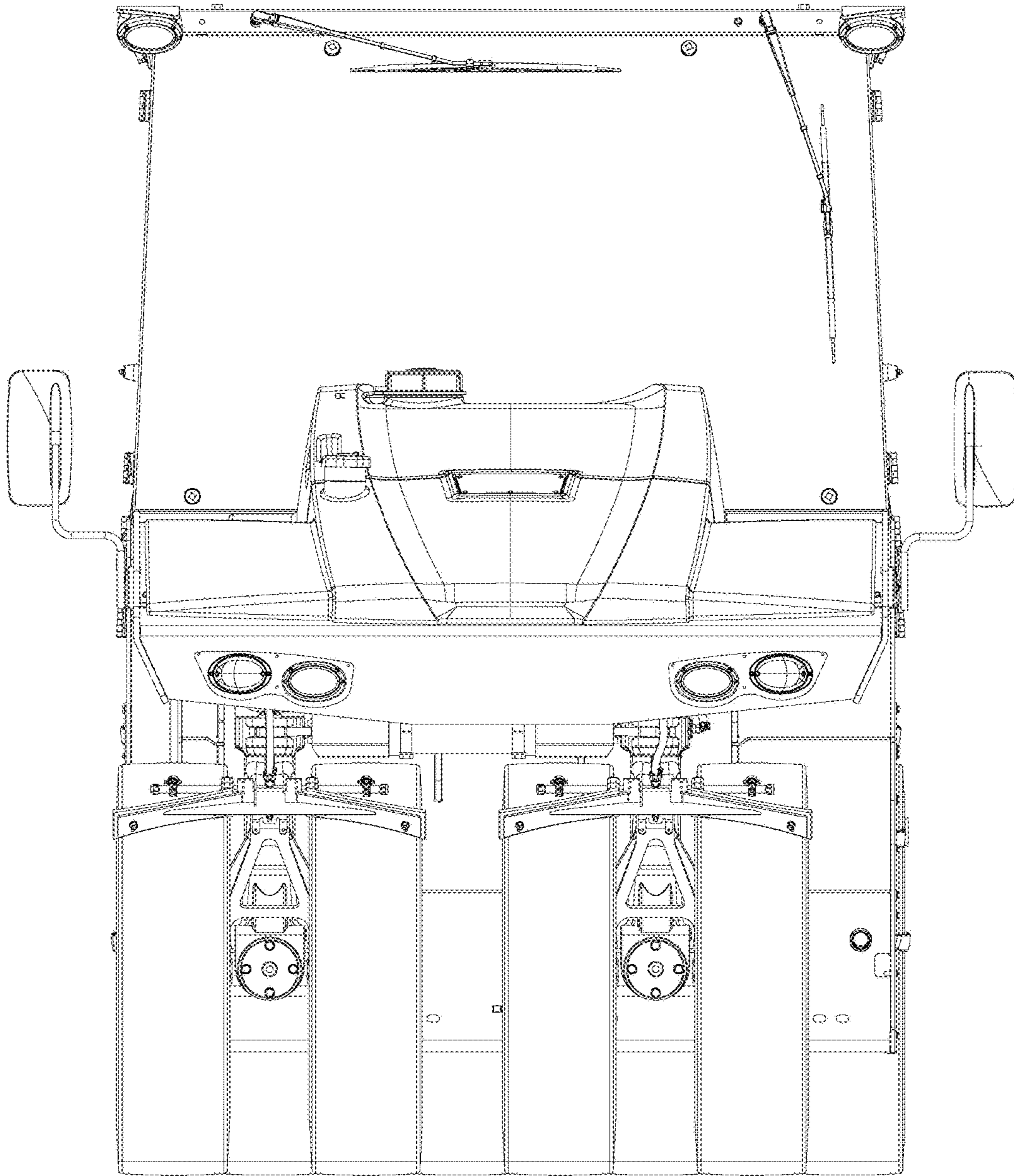


FIG. 5

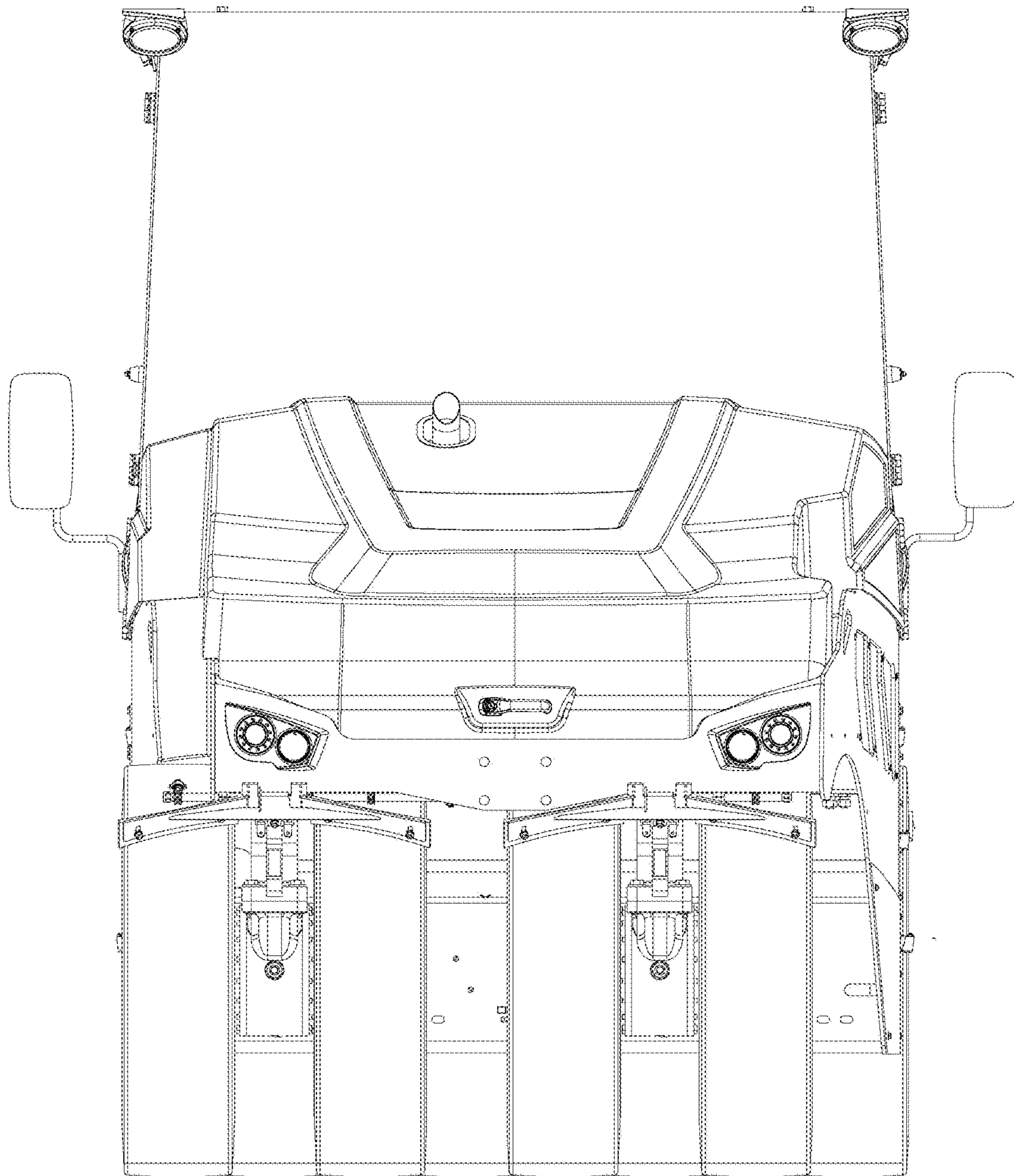


FIG. 6

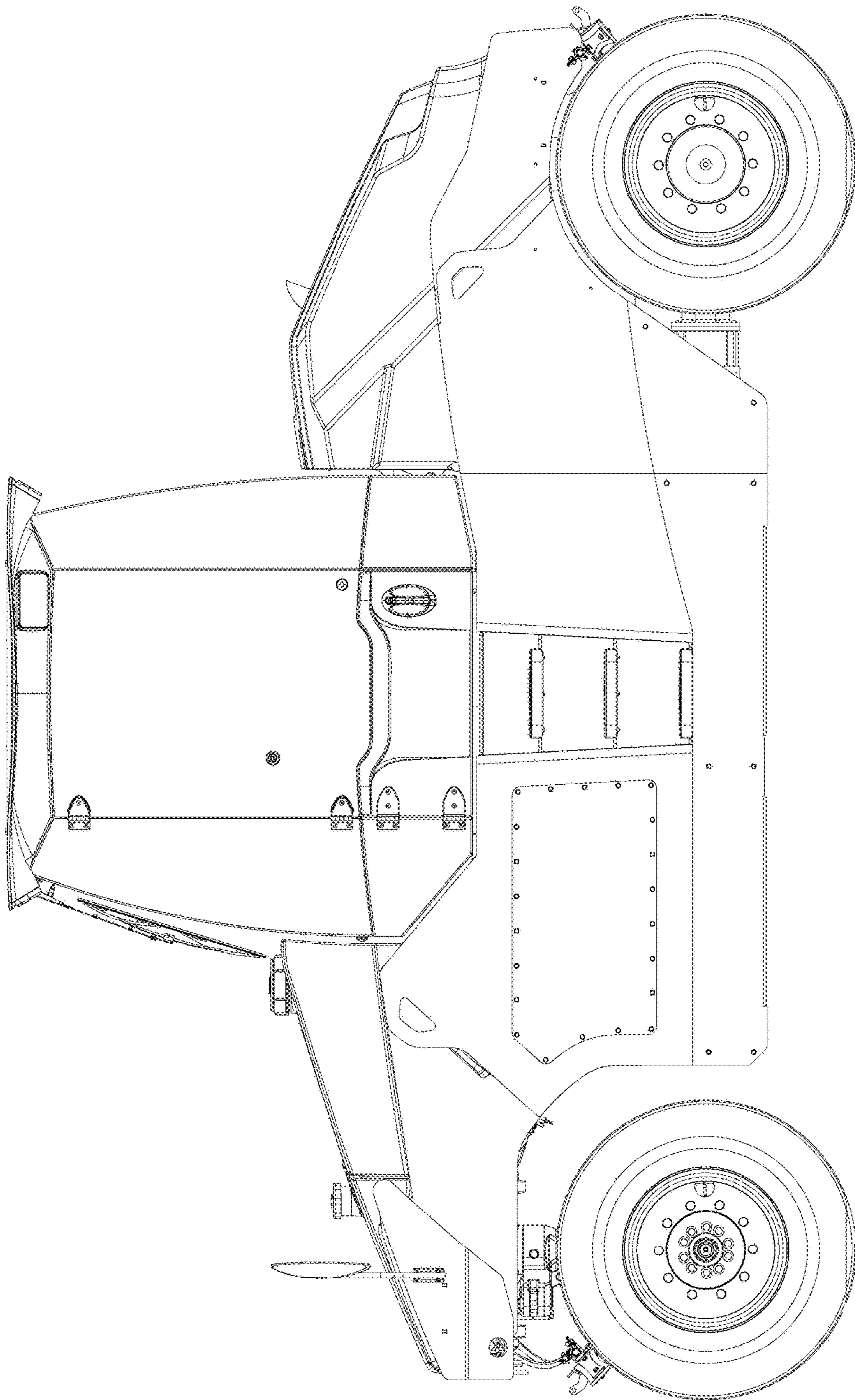


FIG. 7



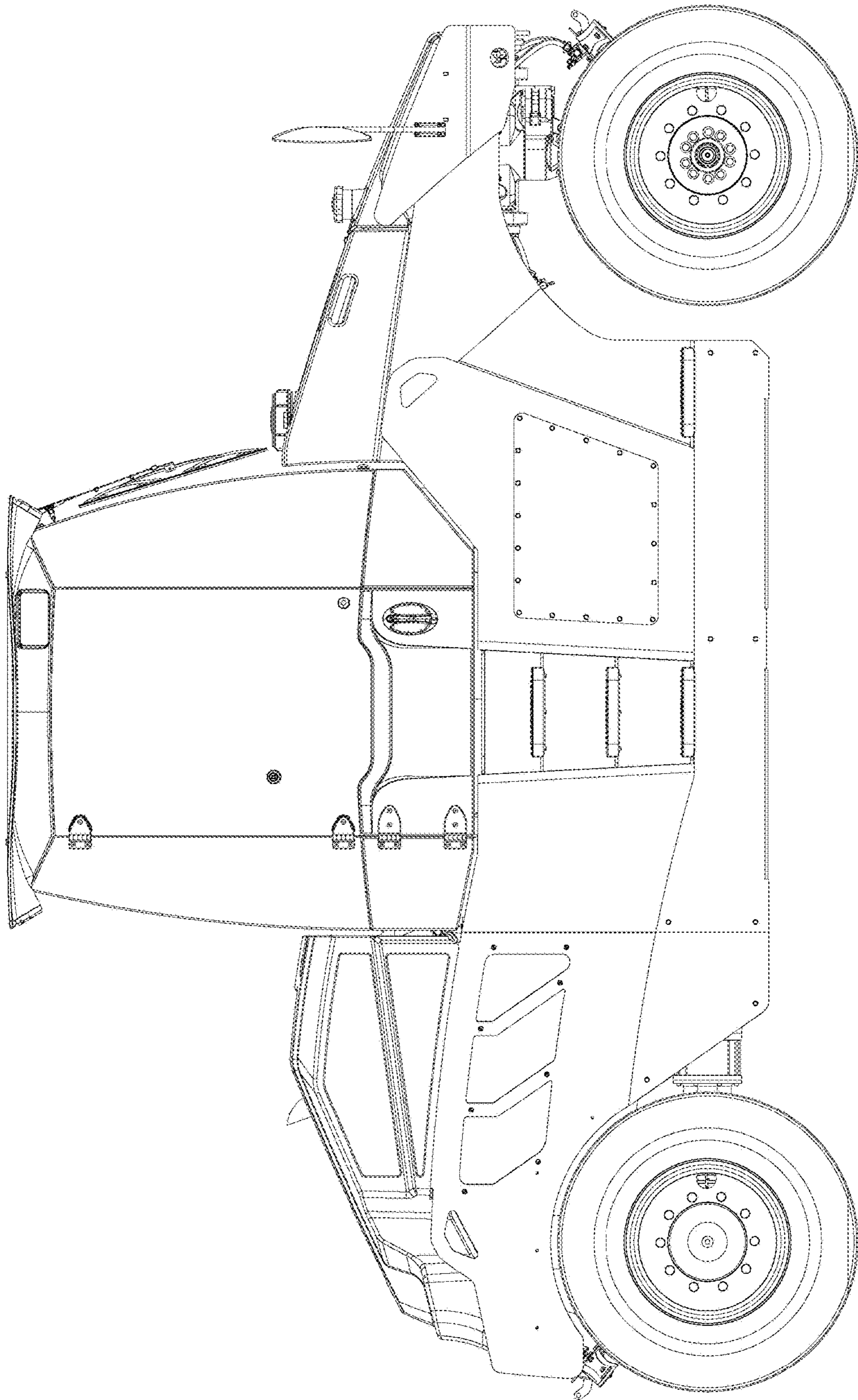


FIG. 8

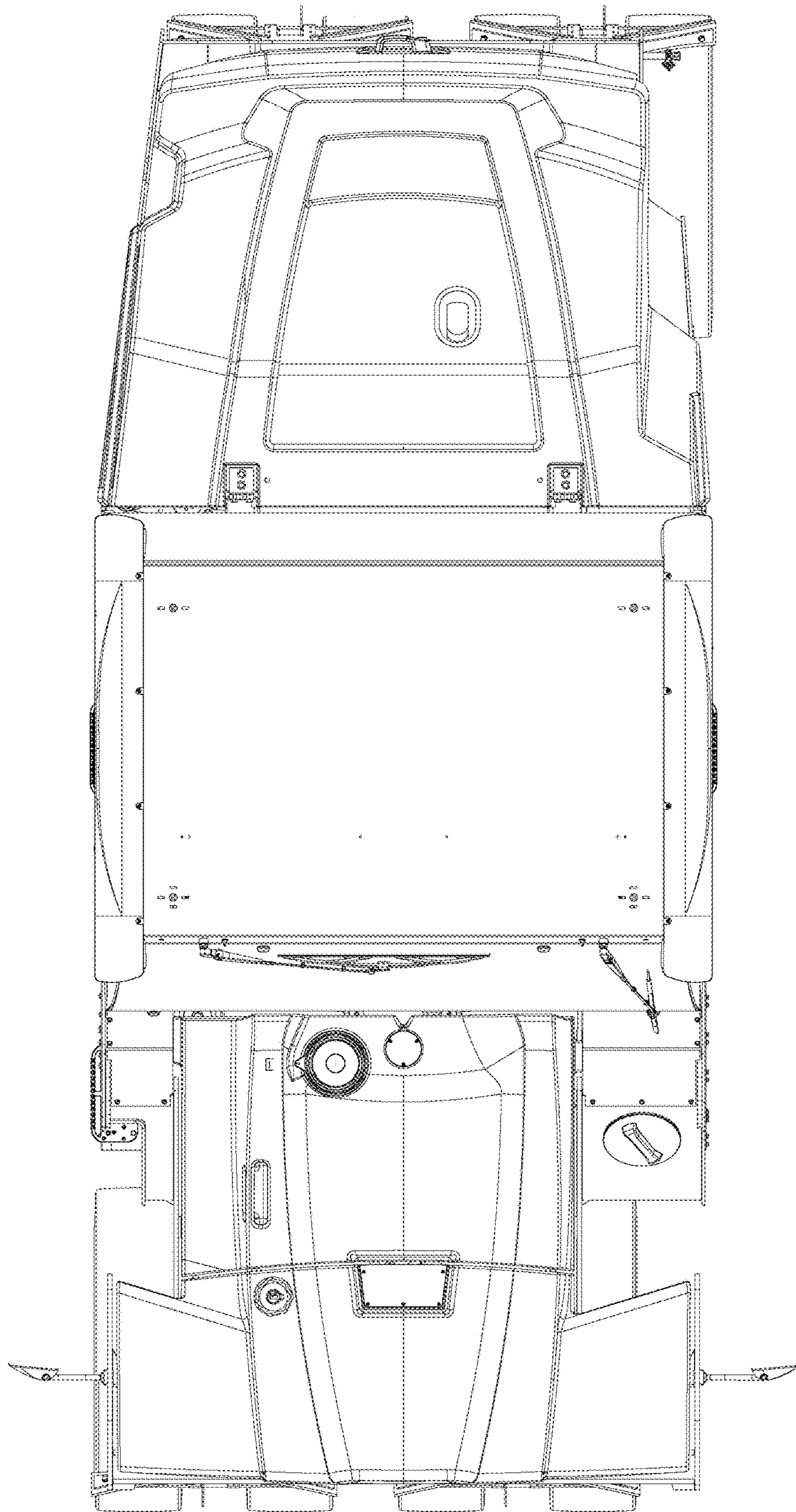


FIG. 9

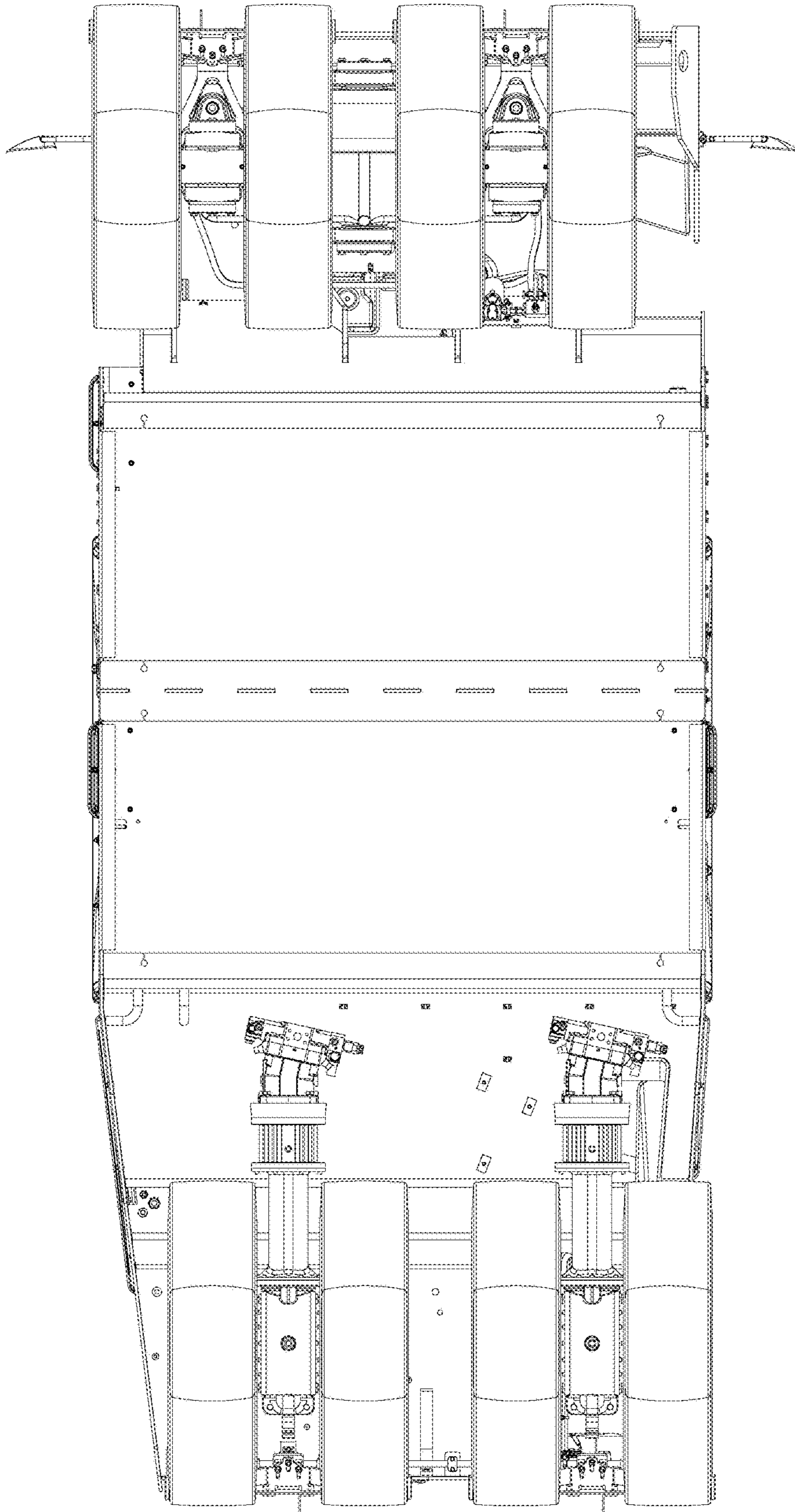


FIG. 10