



US00D800793S

(12) **United States Design Patent**
Loew et al.

(10) **Patent No.:** **US D800,793 S**

(45) **Date of Patent:** **** Oct. 24, 2017**

(54) **SINGLE DRUM ROLLER**

(71) Applicant: **BOMAG GmbH**, Boppard (DE)

(72) Inventors: **Roland Loew**, Klein-Winternheim (DE); **Stephan Jakobs**, Gondershausen (DE); **Thomas Haubrich**, Goedenroth (DE); **Thomas Klein**, Wehr (DE)

(73) Assignee: **BOMAG GmbH**, Boppard (DE)

(**) Term: **15 Years**

(21) Appl. No.: **29/578,408**

(22) Filed: **Sep. 21, 2016**

(30) **Foreign Application Priority Data**

Mar. 23, 2016 (EM) 003040542-0004
Mar. 23, 2016 (EM) 003040542-0008

(51) **LOC (10) Cl.** **15-03**

(52) **U.S. Cl.**
USPC **D15/20**

(58) **Field of Classification Search**
USPC D15/10, 20, 22-26, 28, 30, 33; 180/20, 180/89.12; 280/104, 124.11; 404/122, 404/132, 125, 90
CPC E02D 3/026; E02D 3/00; E02D 3/074; B30B 15/00; E01C 19/27; E01C 19/41; E01C 19/22; E01C 19/38; E01C 19/286; E01C 19/4853; E01C 19/238
See application file for complete search history.

(56) **References Cited**

U.S. PATENT DOCUMENTS

D396,431 S * 7/1998 Lindgren D12/14
D500,329 S * 12/2004 Bauve D15/28
D516,094 S * 2/2006 Dotsch D15/20
D611,505 S * 3/2010 Loew D15/20
D611,506 S * 3/2010 Loew D15/20

D668,269 S * 10/2012 Tezuka D15/20
D668,694 S * 10/2012 Tezuka D15/31
D676,463 S * 2/2013 Ewringmann D15/20
D676,466 S * 2/2013 Ewringmann D15/20
D694,278 S * 11/2013 Ewringmann D15/20
D694,279 S * 11/2013 Ewringmann D15/20
D699,764 S * 2/2014 Loew D15/20
D720,779 S * 1/2015 Loew D15/20
D744,543 S * 12/2015 Loew D15/20

(Continued)

Primary Examiner — Mark Goodwin

(74) *Attorney, Agent, or Firm* — Wood Herron & Evans LLP

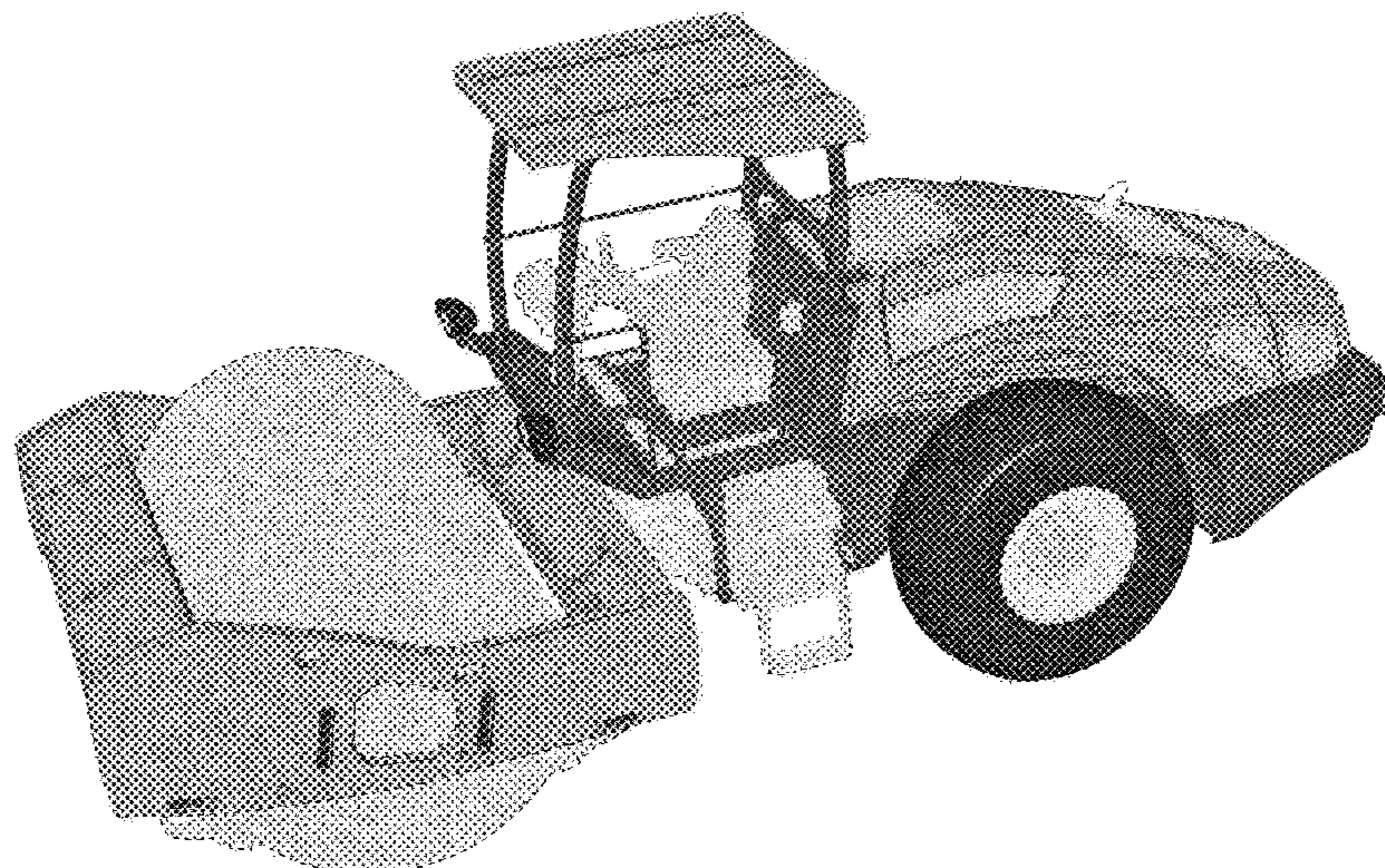
(57) **CLAIM**

The ornamental design for a single drum roller, as shown and described.

DESCRIPTION

FIG. 1 is a front right perspective view of a single drum roller showing our new design;
FIG. 2 is a rear right perspective view of the invention of FIG. 1;
FIG. 3 is a rear left perspective view of the invention of FIG. 1;
FIG. 4 is a front left perspective view of the invention of FIG. 1;
FIG. 5 is a right side elevation view of the invention of FIG. 1;
FIG. 6 is a left side elevation view of the invention of FIG. 1;
FIG. 7 is a front elevation view of the invention of FIG. 1;
FIG. 8 is a rear elevation view of the invention of FIG. 1;
FIG. 9 is a top plan view of the invention of FIG. 1; and, FIG. 10 is a bottom plan view of the invention of FIG. 1. The broken dash lines comprise claim boundaries. Neither the portions inside of the broken dash lines nor the broken dash lines themselves forms any part of the claimed invention.

1 Claim, 10 Drawing Sheets



(56)

References Cited

U.S. PATENT DOCUMENTS

D745,063 S *	12/2015	Loew	D15/20
D749,142 S *	2/2016	Erdmann	D15/20
D749,143 S *	2/2016	Erdmann	D15/20
D765,735 S *	9/2016	Roemer	D15/20

* cited by examiner

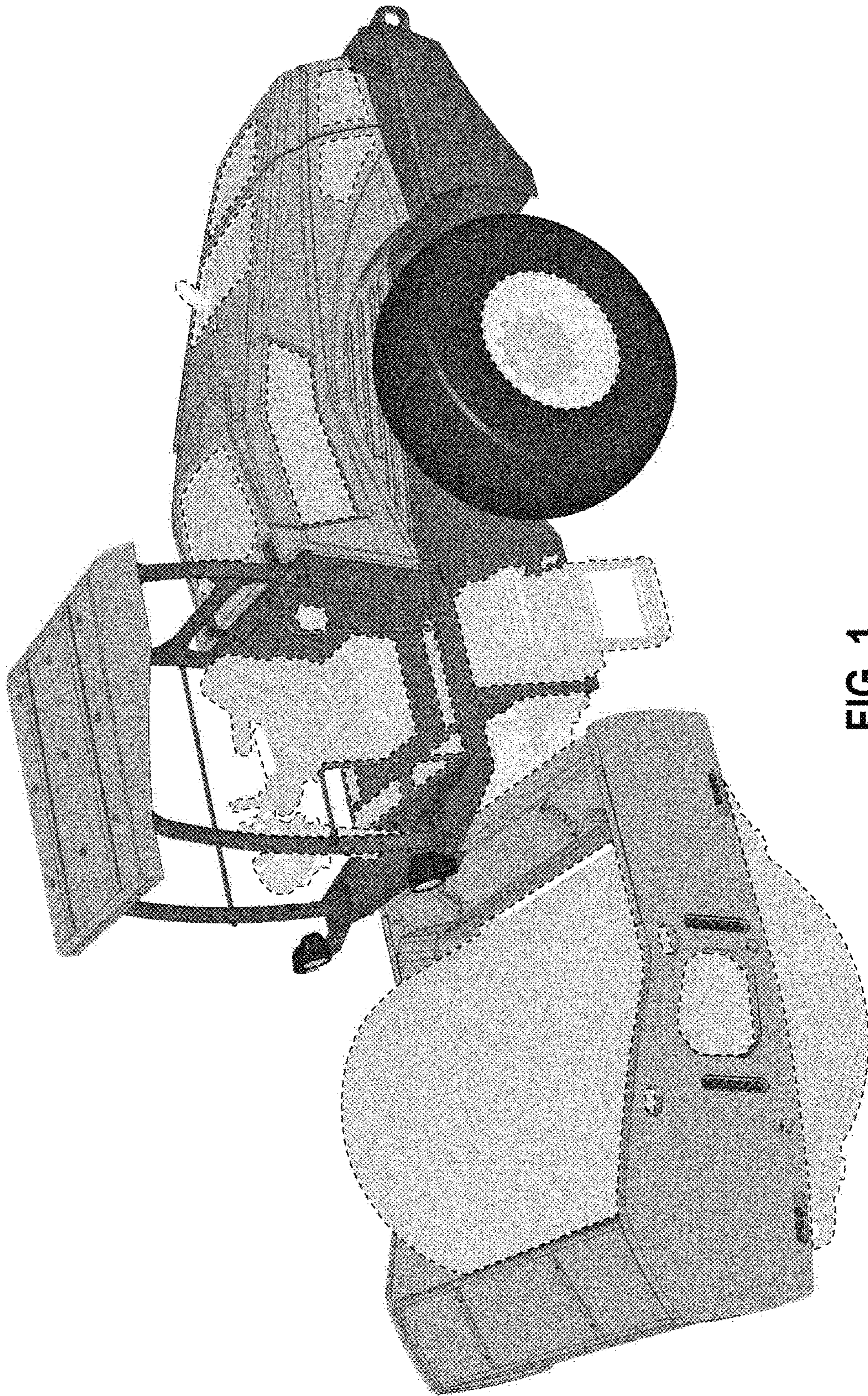


FIG. 1

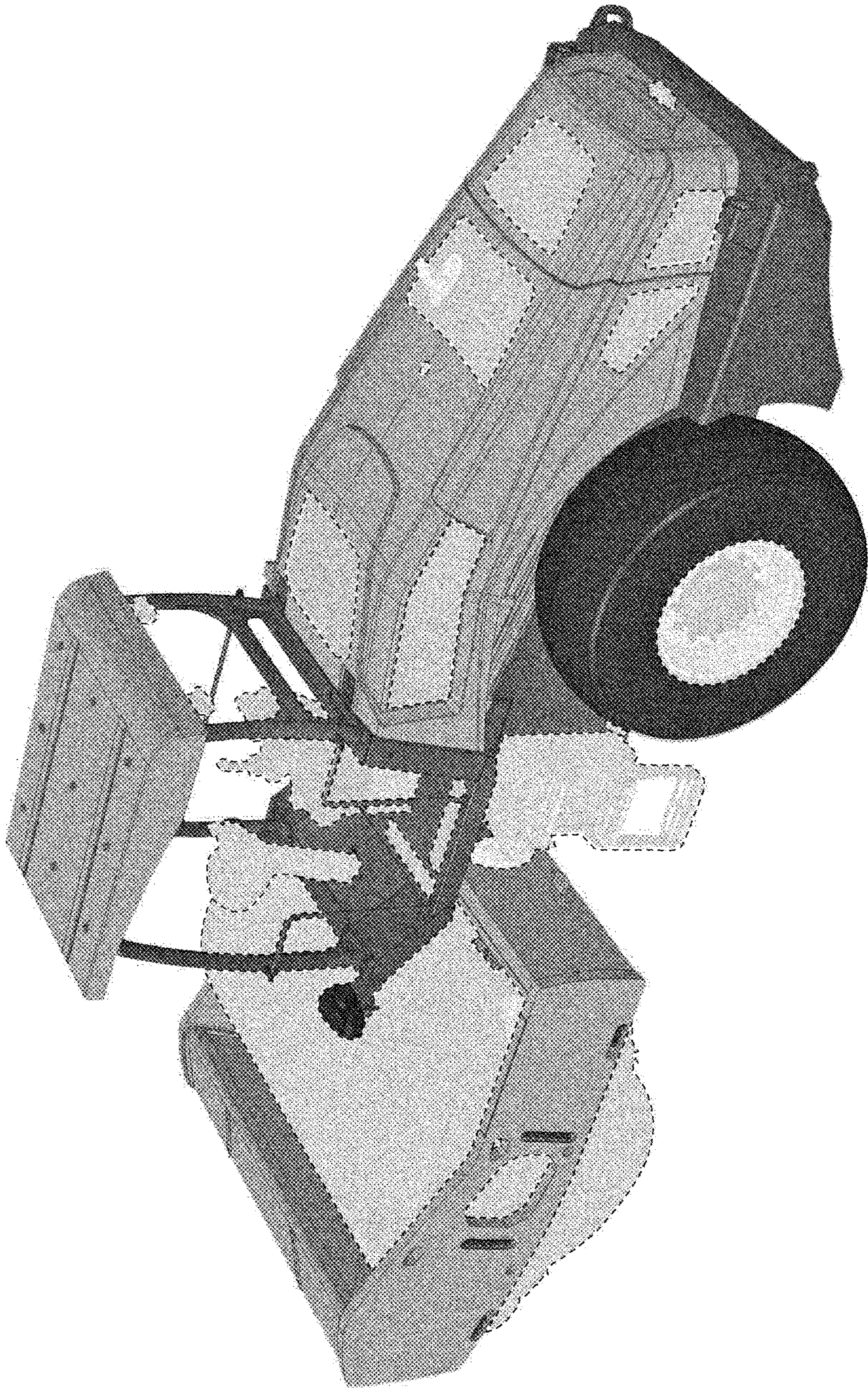


FIG. 2

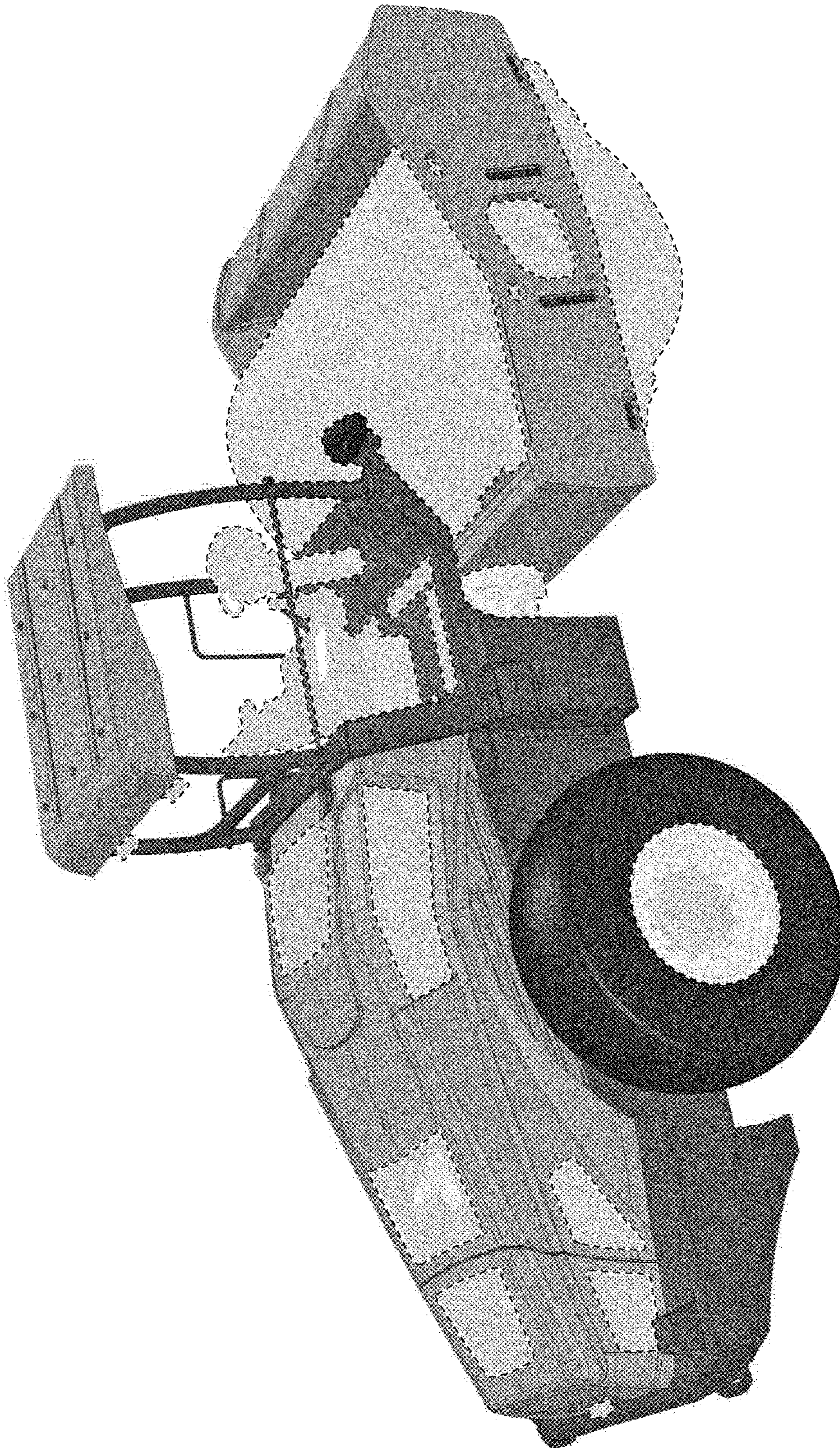


FIG. 3

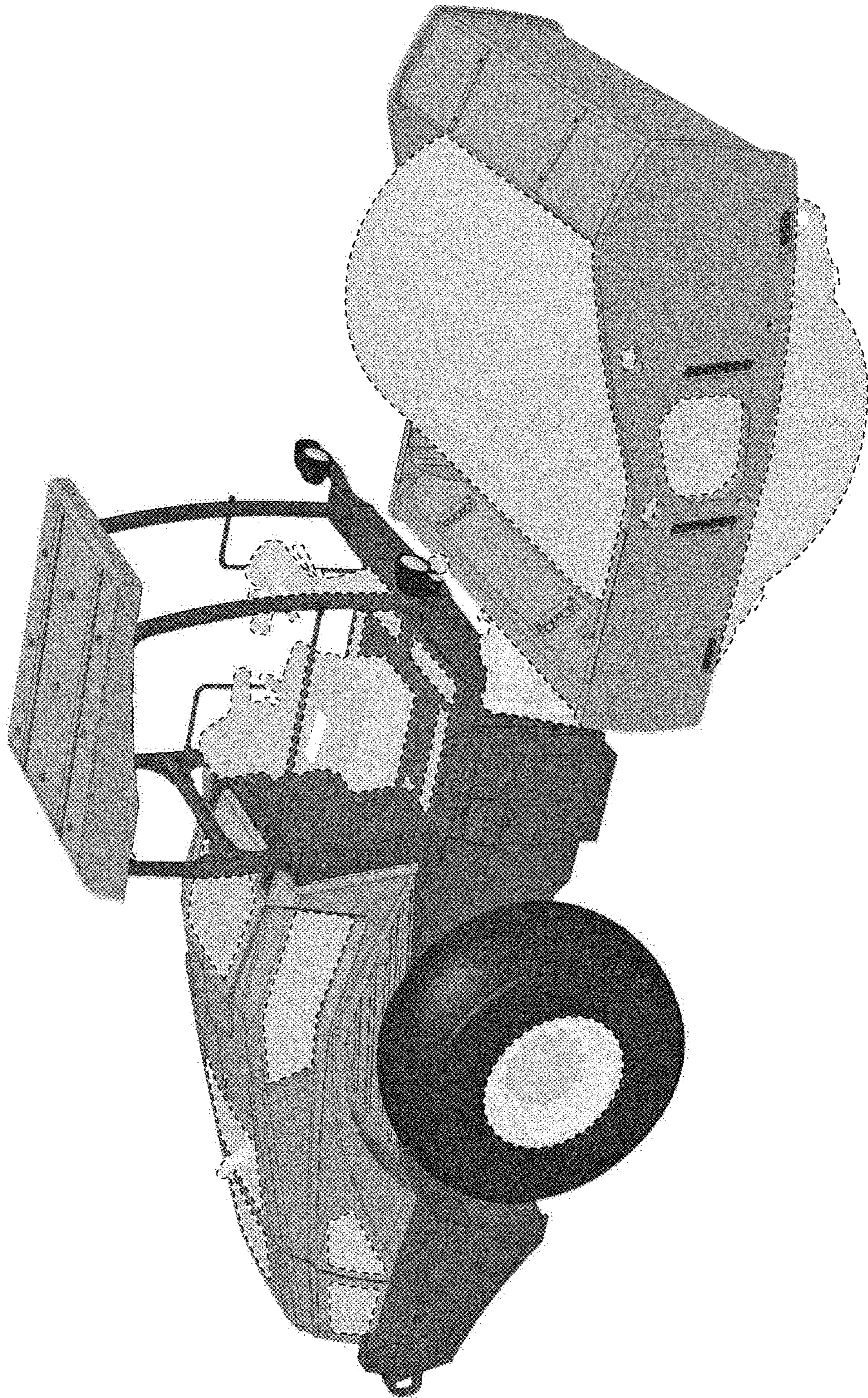


FIG. 4

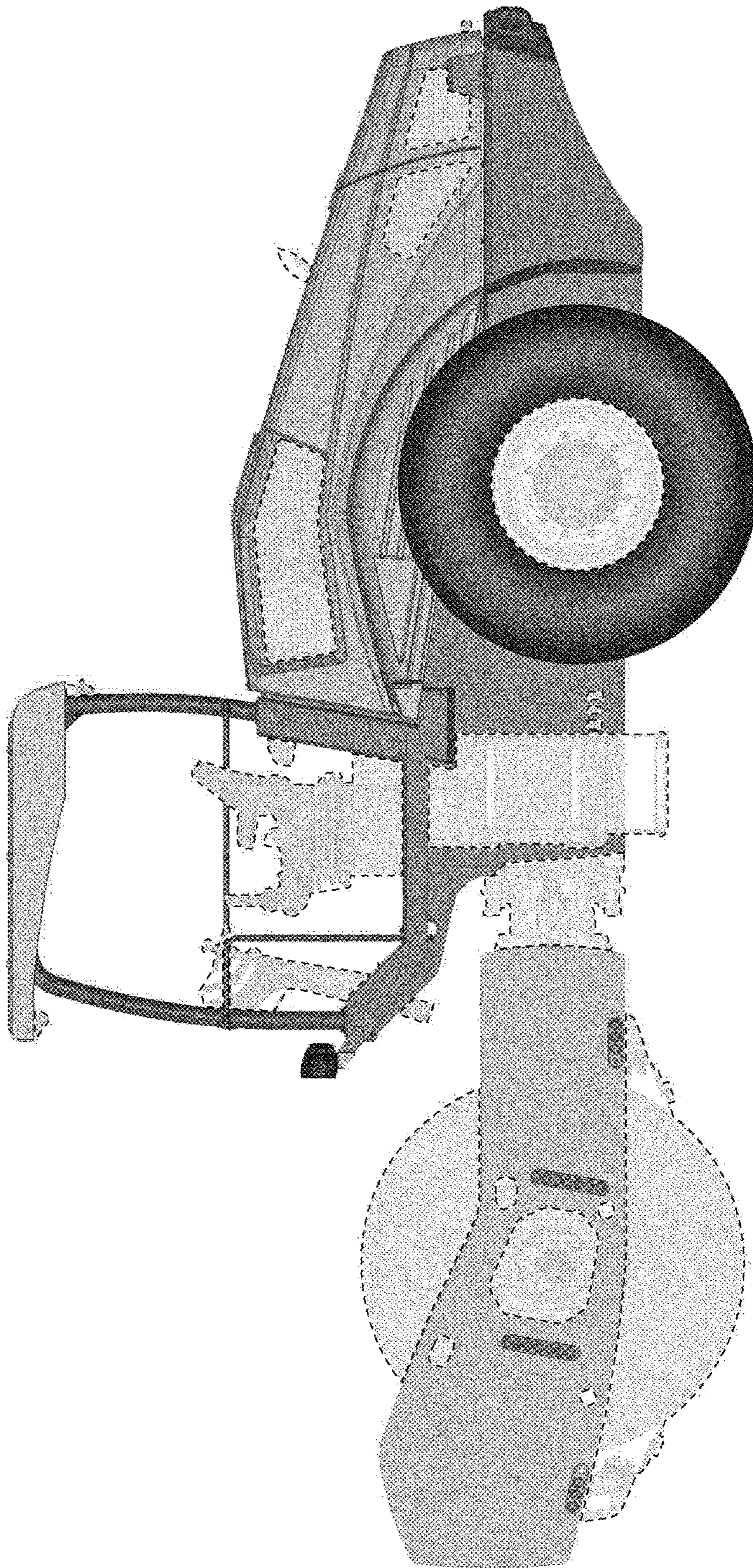


FIG. 5

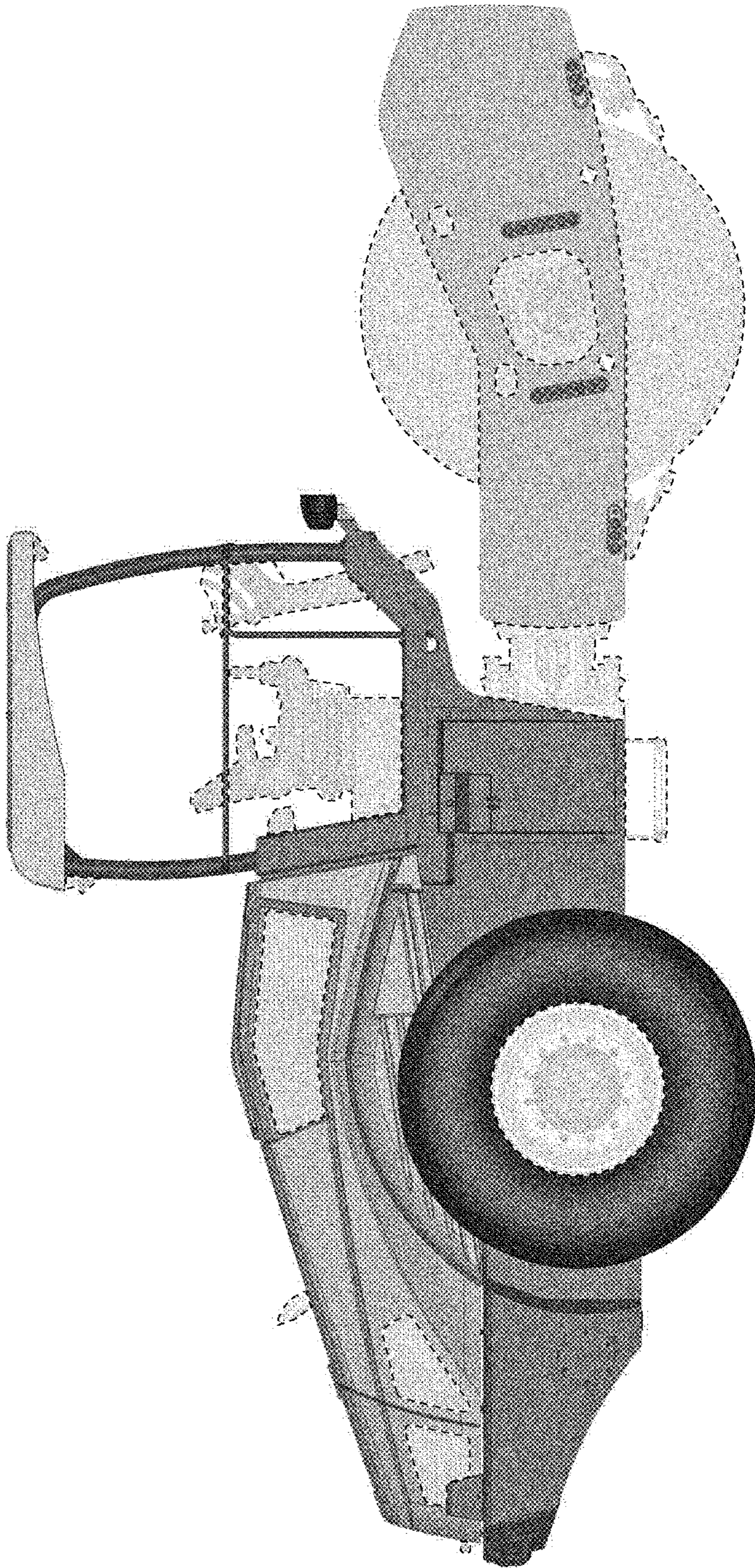


FIG. 6

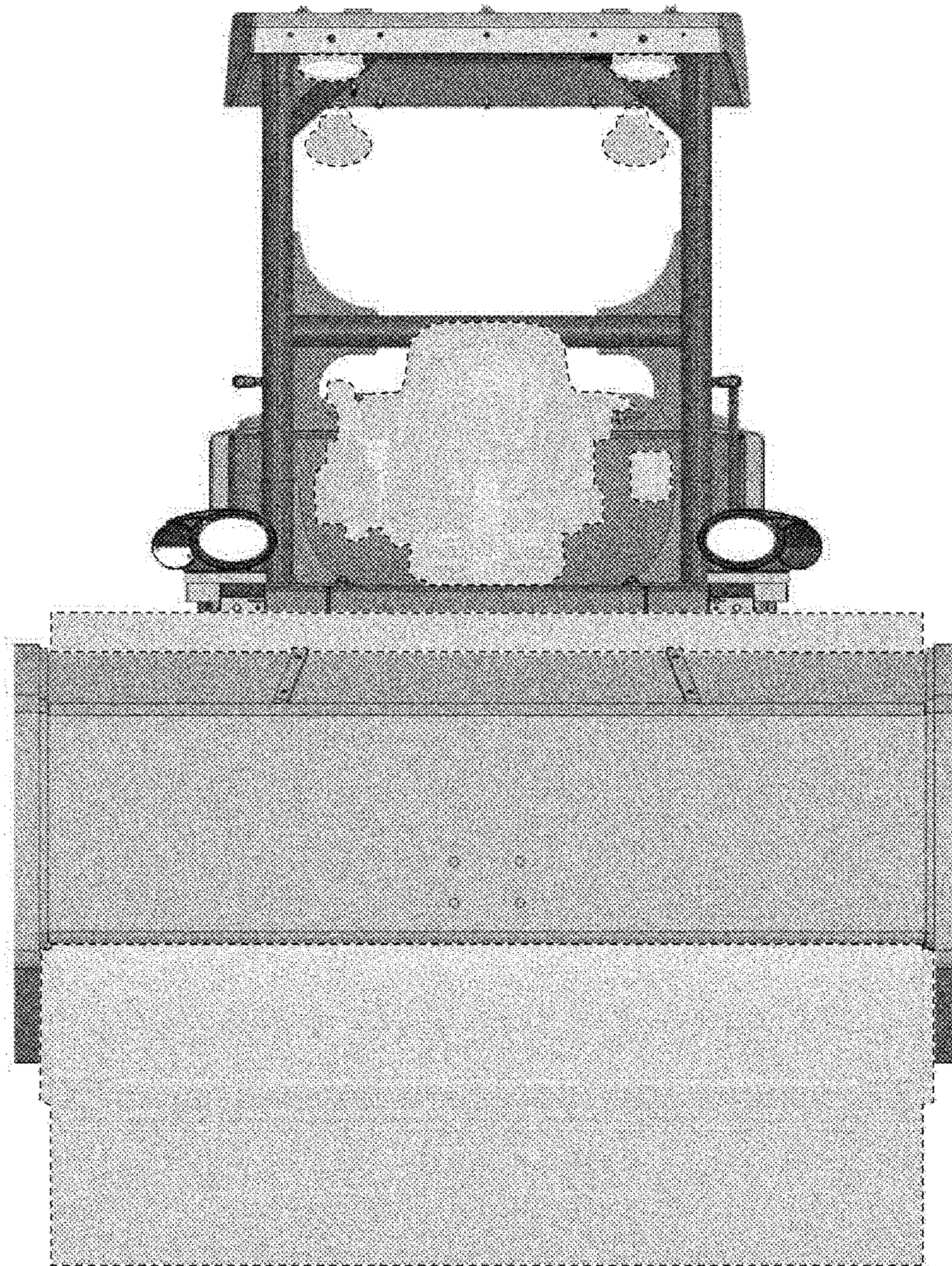


FIG. 7

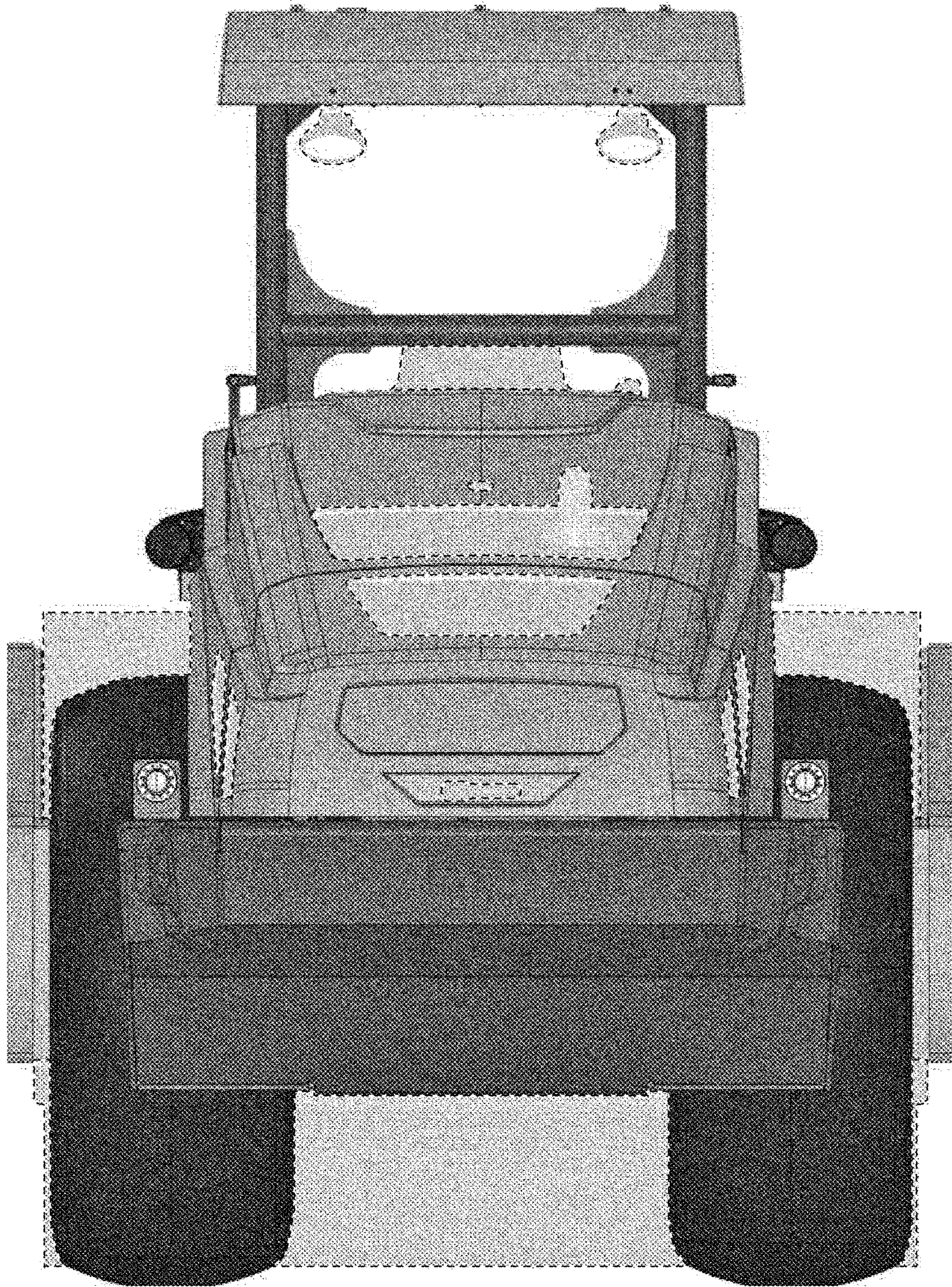


FIG. 8

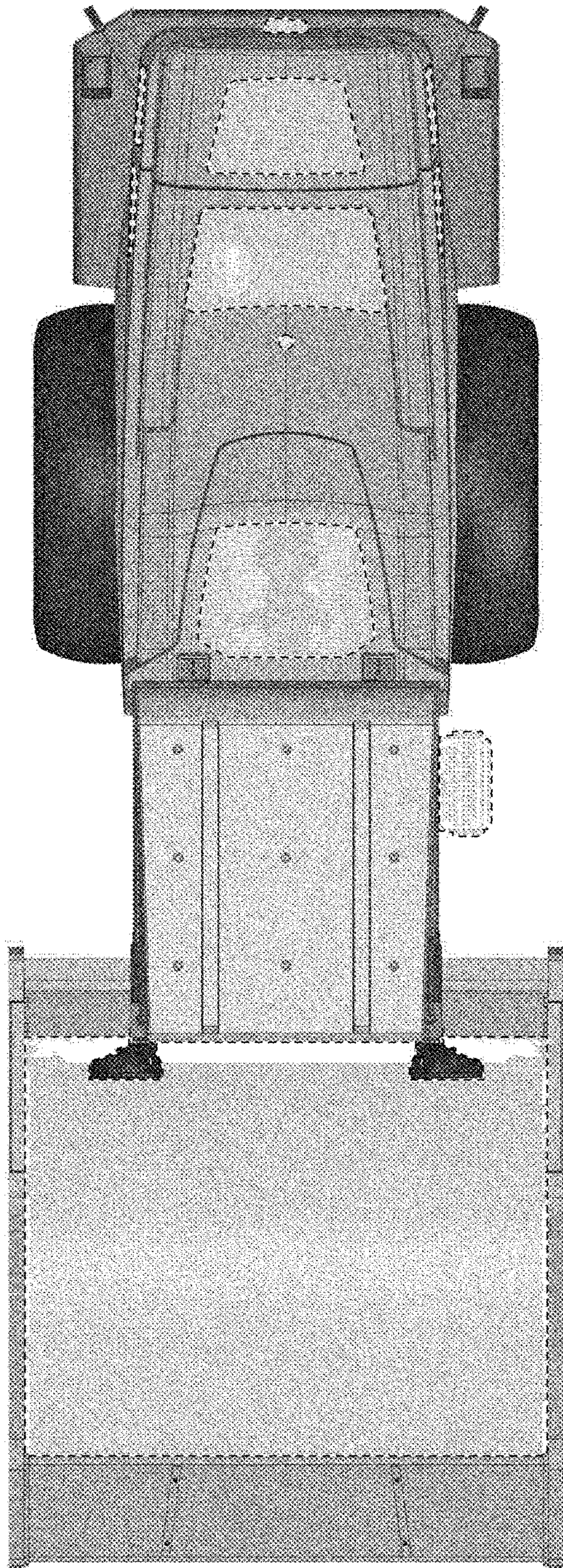


FIG. 9

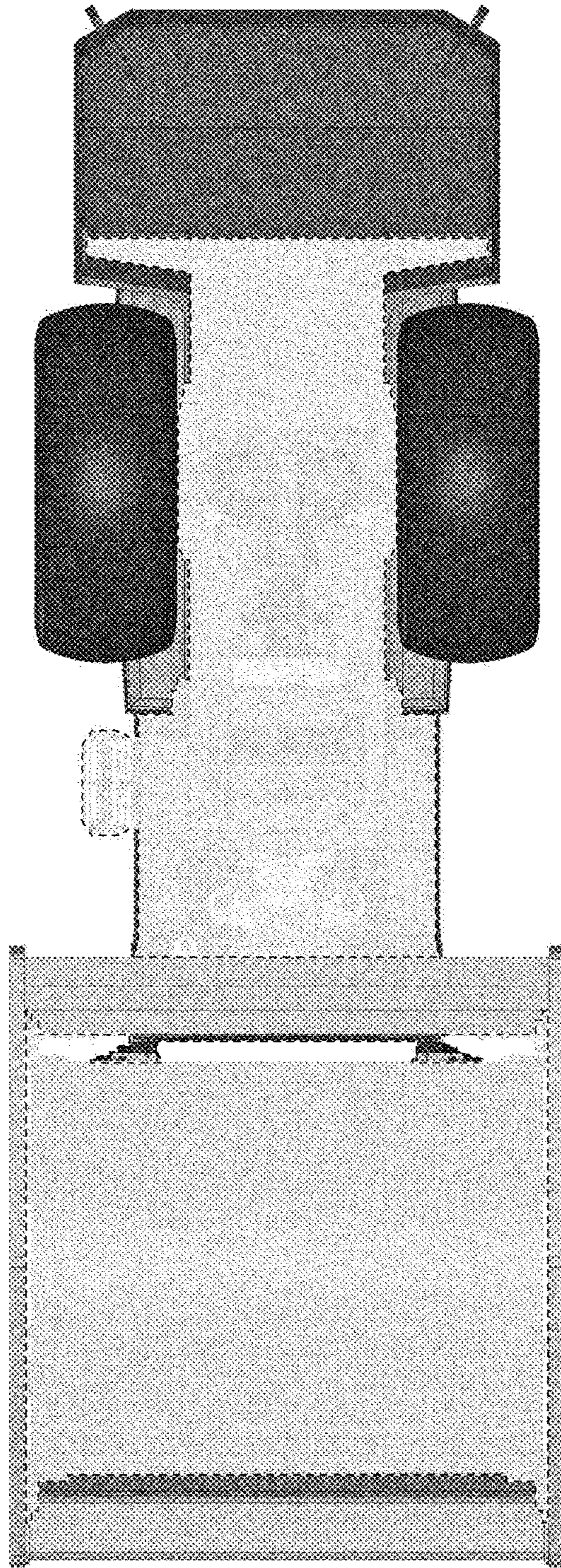


FIG. 10