



US00D800790S

(12) **United States Design Patent**  
**Mazur**

(10) **Patent No.:** **US D800,790 S**

(45) **Date of Patent:** **\*\* Oct. 24, 2017**

(54) **PAINT SPRAY PUMP HOUSING**

(71) Applicant: **Wagner Spray Tech Corporation,**  
Plymouth, MN (US)

(72) Inventor: **Matthias Mazur,** Hamburg (DE)

(73) Assignee: **Wagner Spray Tech Corporation,**  
Plymouth, MN (US)

(\*\*) Term: **15 Years**

(21) Appl. No.: **29/564,747**

(22) Filed: **May 16, 2016**

(30) **Foreign Application Priority Data**

Nov. 24, 2015 (DE) ..... 40 2015 101 252

(51) **LOC (10) Cl.** ..... **15-02**

(52) **U.S. Cl.**  
USPC ..... **D15/7**

(58) **Field of Classification Search**

USPC ..... D15/7-9; D23/231, 232, 225; 417/60,  
417/235, 265, 321, 355, 358, 363, 359,  
417/410.1, 415-416, 405, 900, 269, 539;  
60/408, 412; 184/26-37; 415/140-147;  
123/495, 509; 137/565.34  
CPC ..... F02M 37/04; F02M 37/14; F04B 53/92;  
F04B 1/005

See application file for complete search history.

(56) **References Cited**

**U.S. PATENT DOCUMENTS**

D484,514 S \* 12/2003 Hsiao ..... D15/9  
D484,892 S \* 1/2004 Hsiao ..... D15/9

D485,281 S \* 1/2004 Hsiao ..... D15/9  
D497,917 S \* 11/2004 Harper ..... D15/9  
D499,433 S \* 12/2004 Leasure ..... D15/9  
D502,710 S \* 3/2005 Hsiao ..... D15/9  
D572,273 S \* 7/2008 Carpenter ..... D15/7  
D622,739 S \* 8/2010 Bass ..... D15/9  
D698,369 S \* 1/2014 Meza ..... D15/7  
D700,916 S \* 3/2014 Kieffer ..... D15/7  
D707,719 S \* 6/2014 Kamijyo ..... D15/7  
D743,444 S \* 11/2015 Walsh ..... D15/7  
D778,325 S \* 2/2017 Green ..... D15/7

\* cited by examiner

*Primary Examiner* — Ralf Seifert

(74) *Attorney, Agent, or Firm* — Christopher J.  
Volkman; Kelly, Holt & Christenson, PLLC

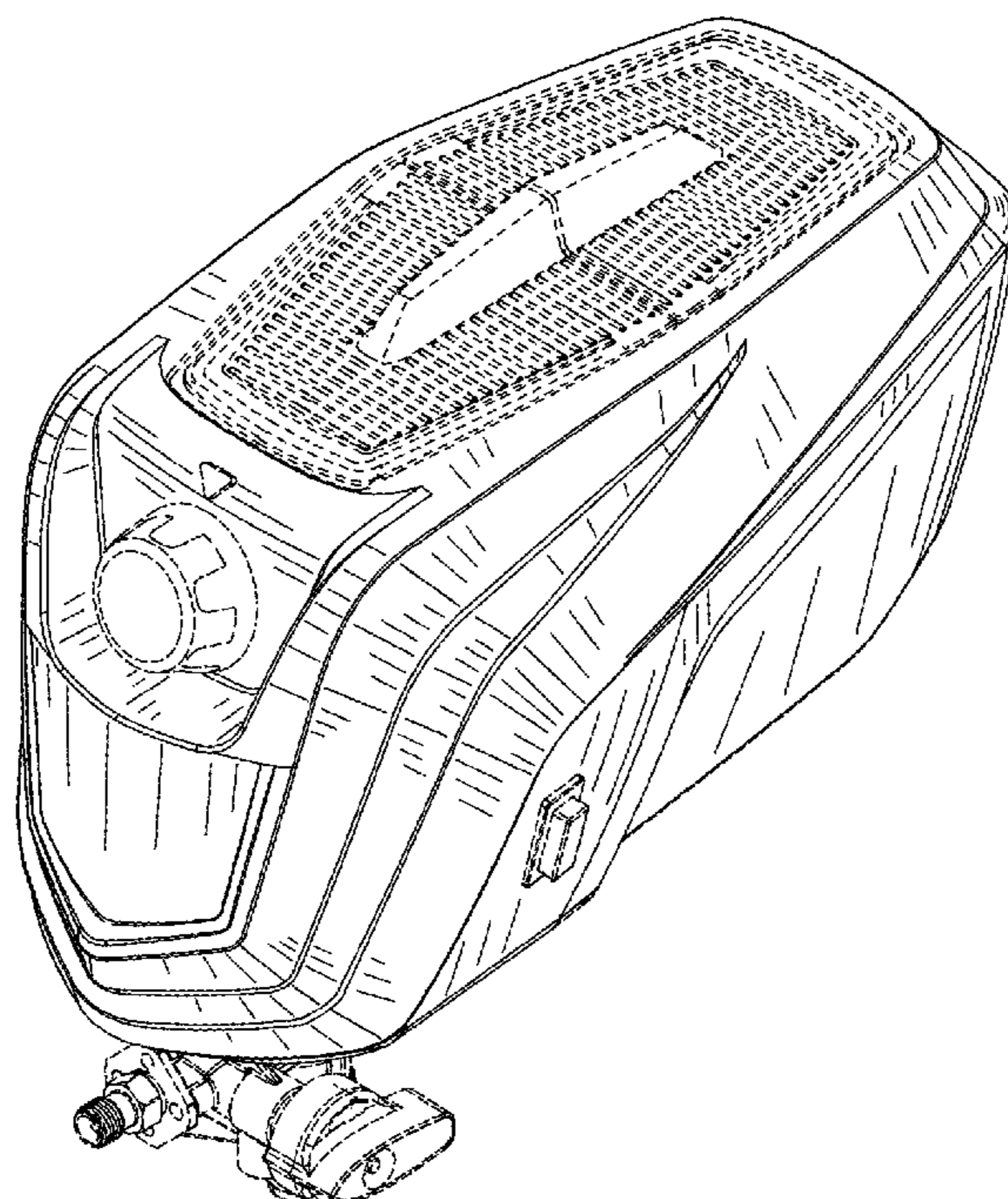
(57) **CLAIM**

The ornamental design for the paint spray pump housing, as shown and described.

**DESCRIPTION**

FIG. 1 is a perspective view of the paint spray pump housing.  
FIG. 2 is a front view of the paint spray pump housing.  
FIG. 3 is a back view of the paint spray pump housing.  
FIG. 4 is a left side view of the paint spray pump housing.  
FIG. 5 is a right side view of the paint spray pump housing.  
FIG. 6 is a top view of the paint spray pump housing; and,  
FIG. 7 is a bottom view of the paint spray pump housing.  
The details shown in broken lines form no part of the claimed design.

**1 Claim, 6 Drawing Sheets**



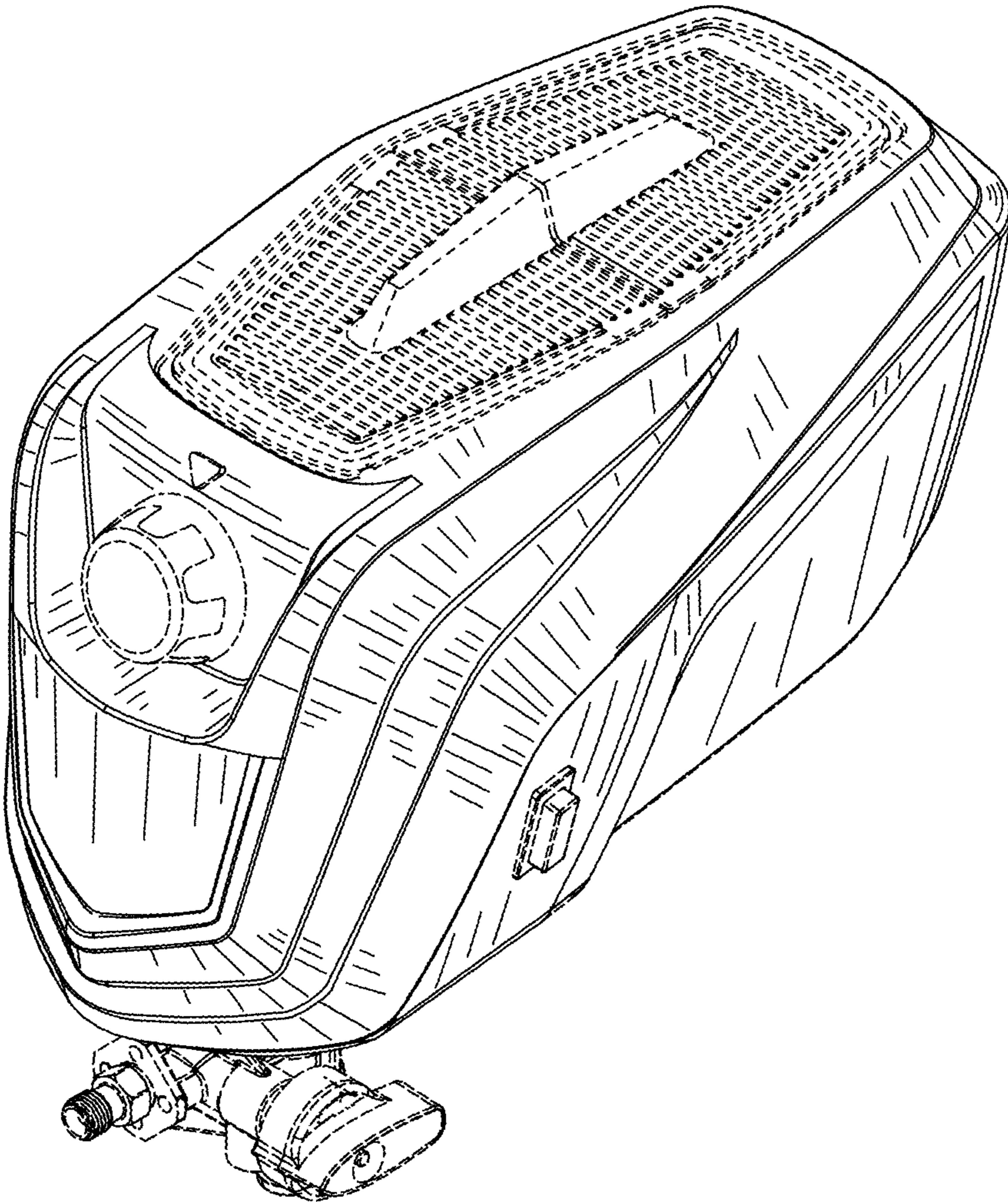


Fig. 1

Fig. 2

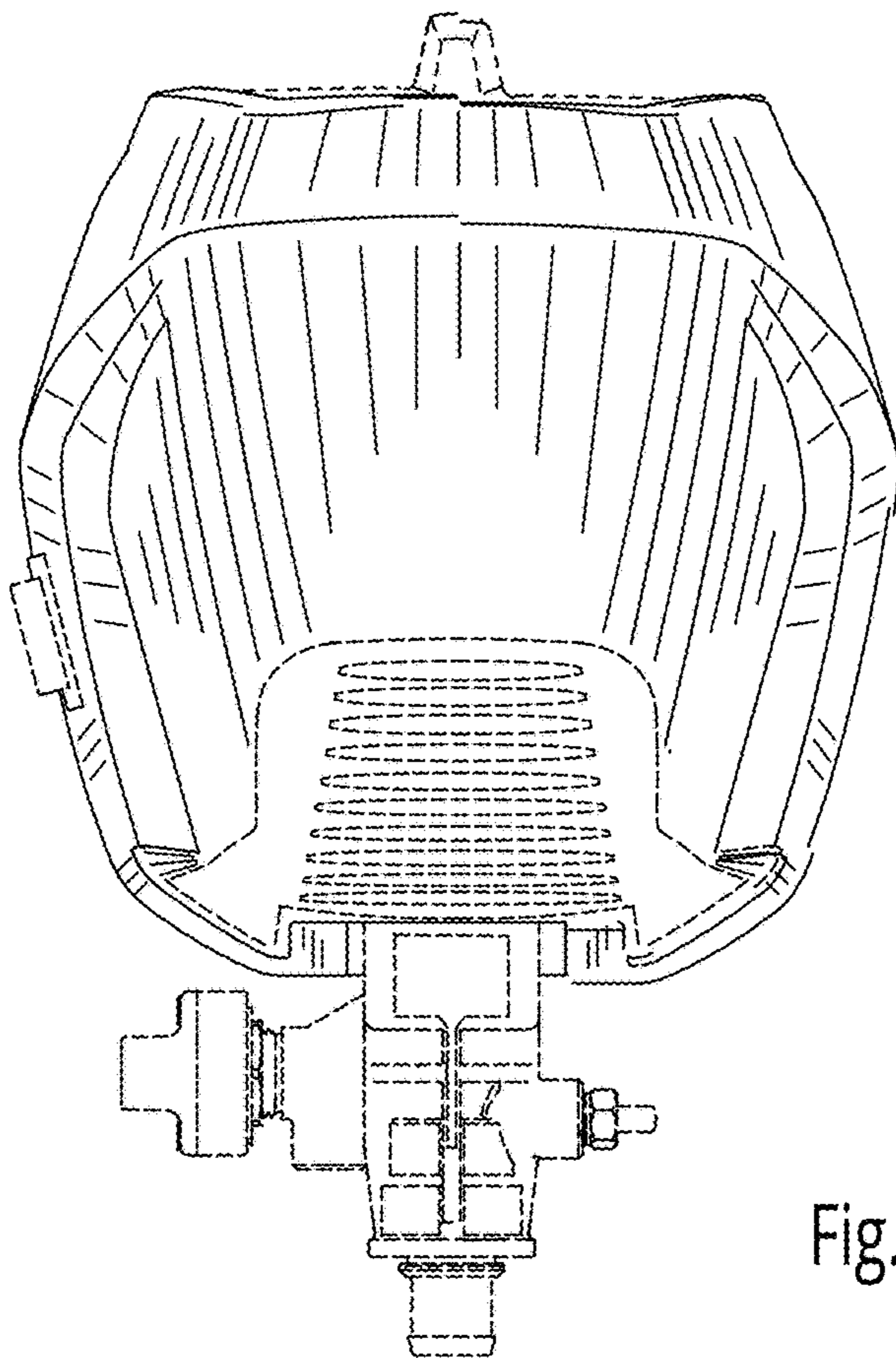
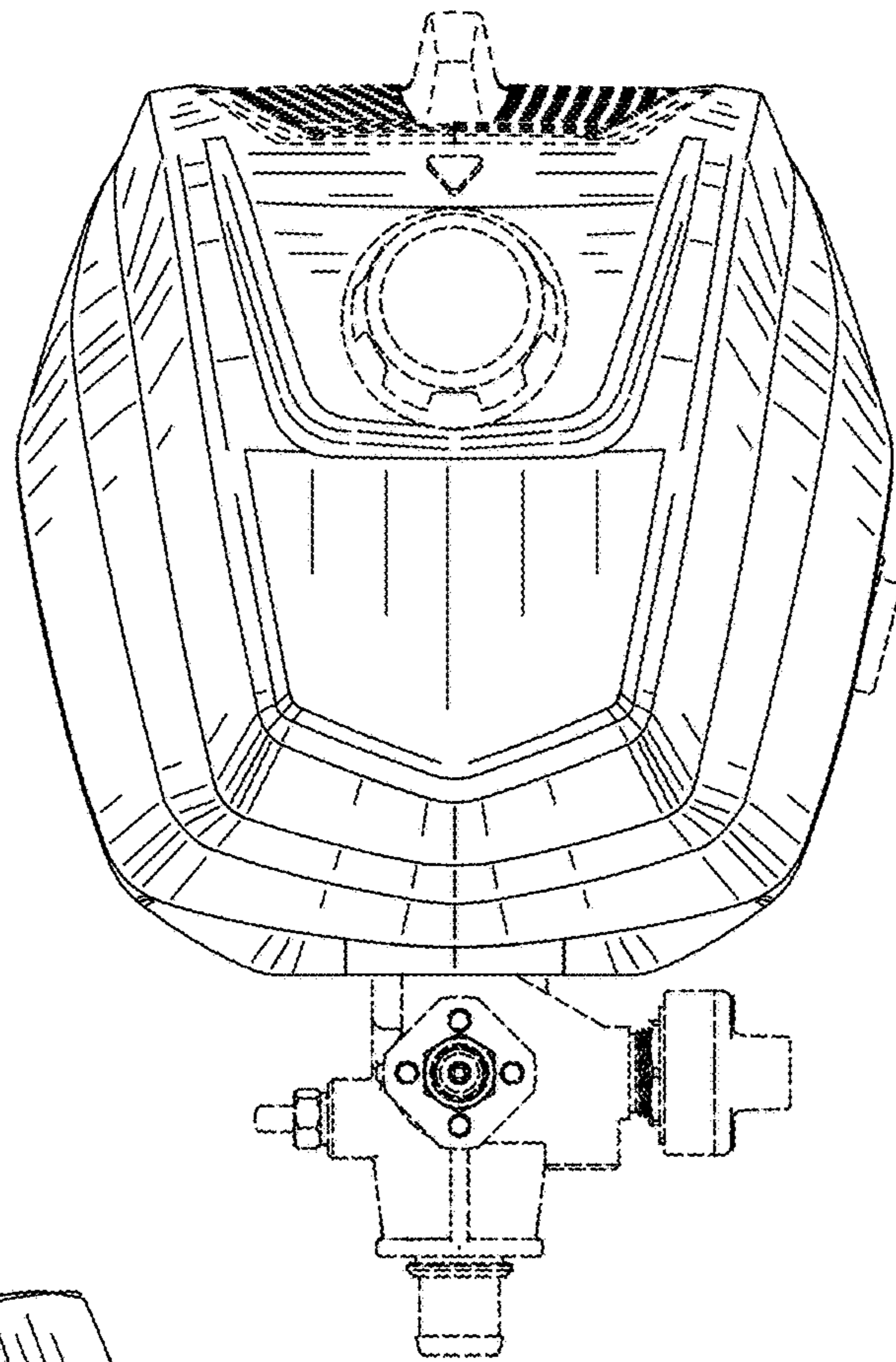


Fig. 3

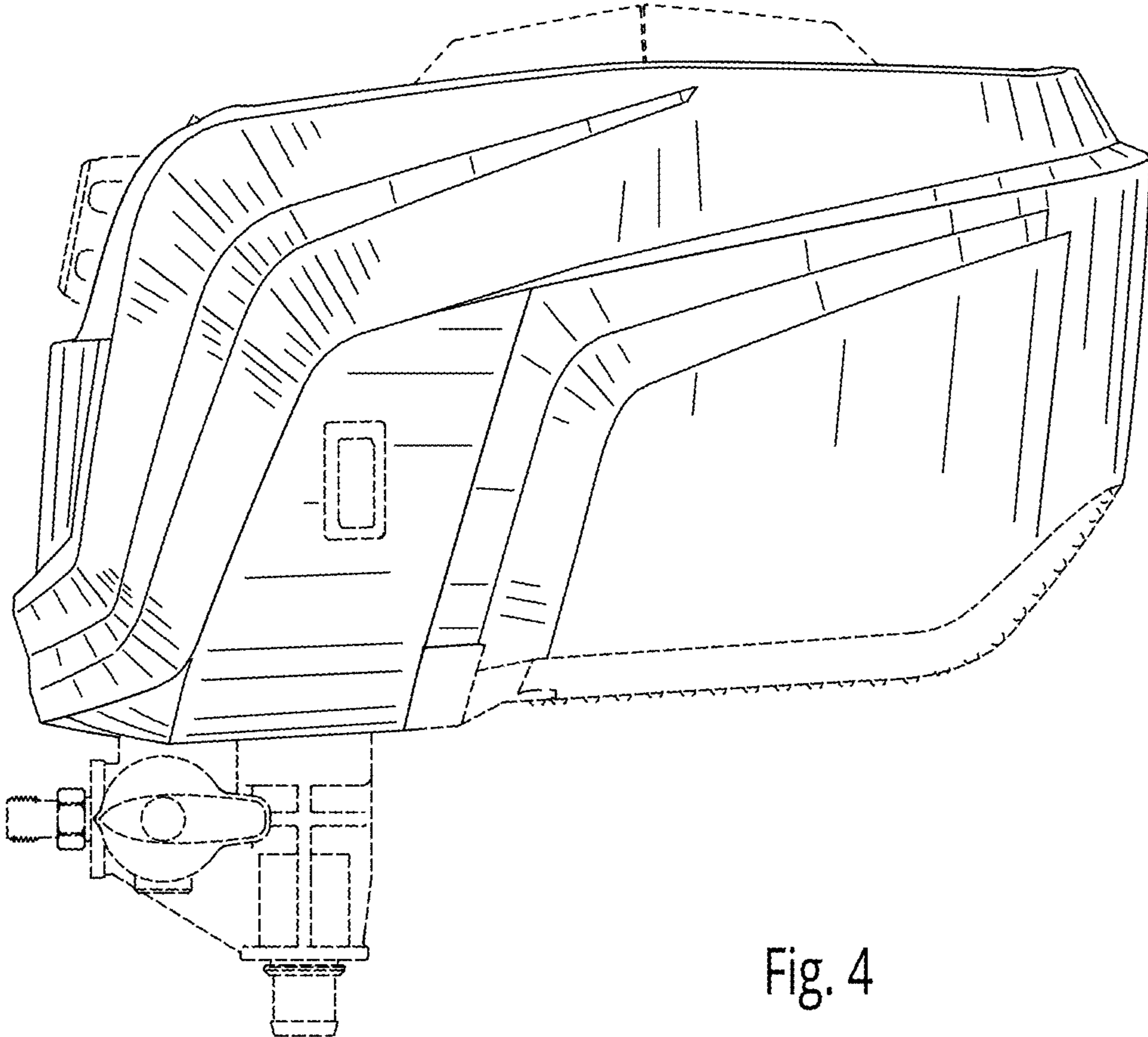


Fig. 4

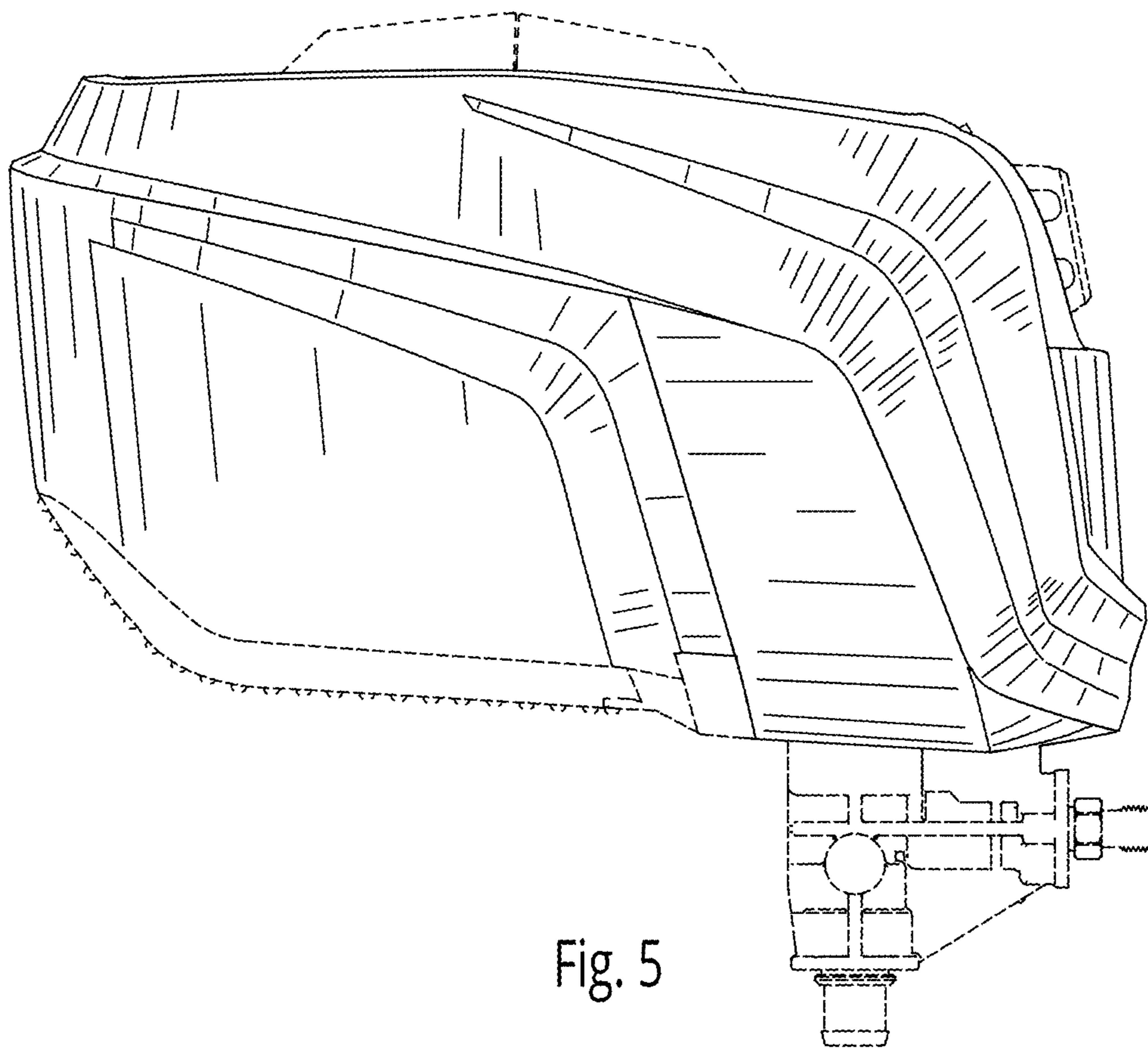


Fig. 5

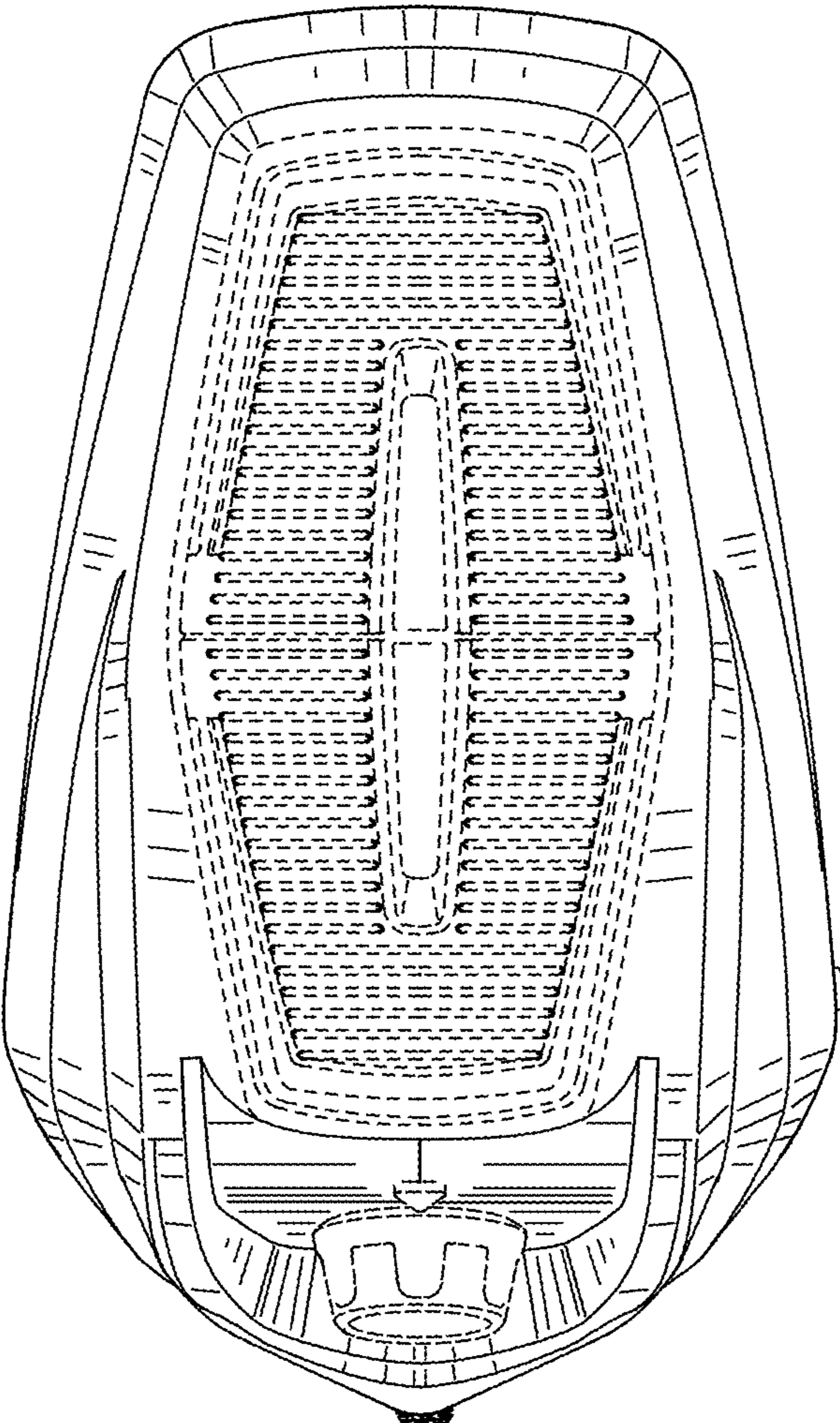


Fig. 6

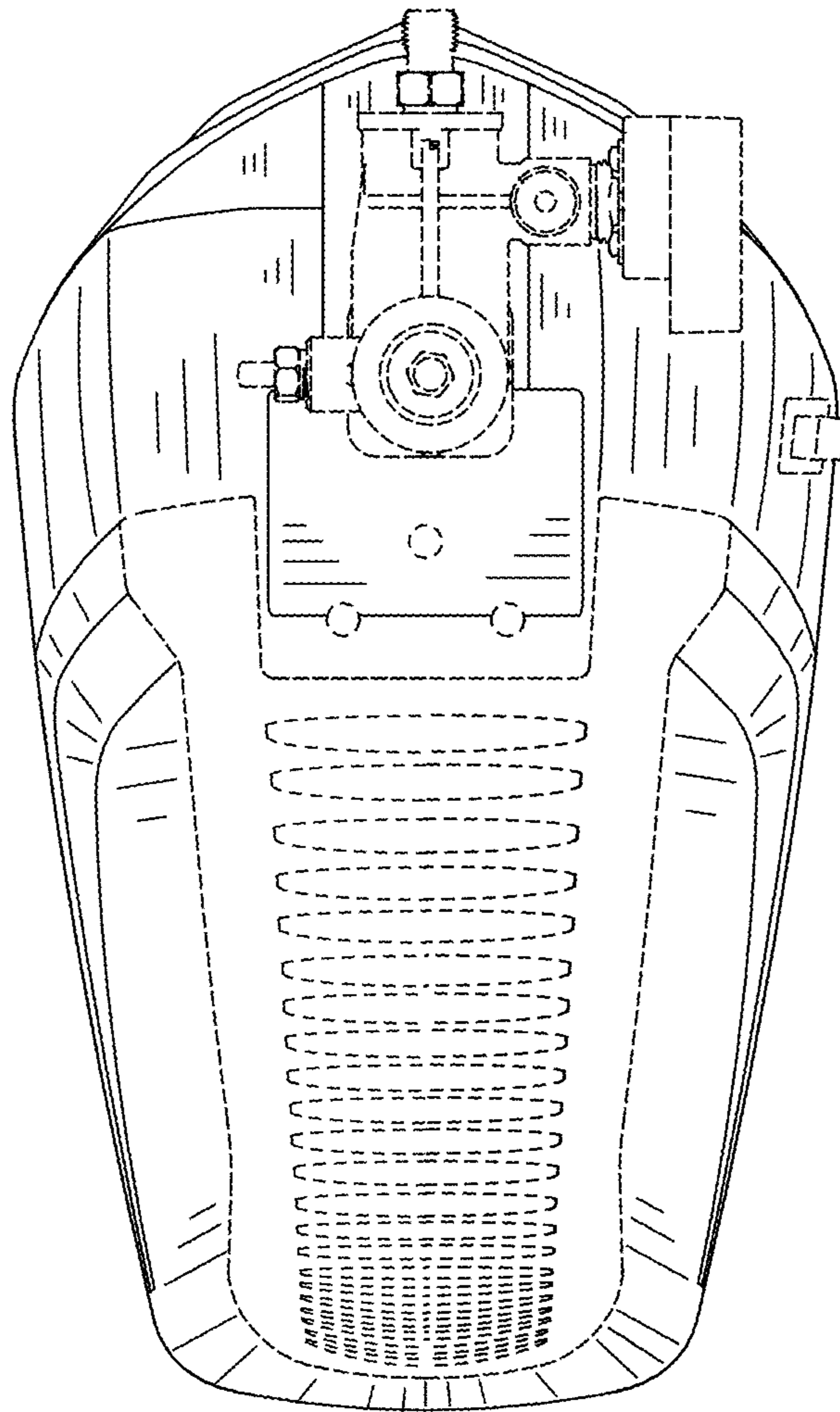


Fig. 7