



US00D800788S

(12) **United States Design Patent**
Petersen

(10) **Patent No.:** **US D800,788 S**

(45) **Date of Patent:** **** Oct. 24, 2017**

(54) **TIRE INFLATOR**

(71) Applicant: **David R. Petersen**, Edmonds, WA (US)

(72) Inventor: **David R. Petersen**, Edmonds, WA (US)

(**) Term: **15 Years**

(21) Appl. No.: **29/557,770**

(22) Filed: **Mar. 11, 2016**

(51) **LOC (10) Cl.** **15-02**

(52) **U.S. Cl.**
USPC **D15/7**

(58) **Field of Classification Search**
USPC D15/7-9; D23/231, 232, 225; 417/60,
417/235, 265, 321, 355, 358, 363, 359,
417/410.1, 415-416, 405, 900, 269, 539;
60/408, 412; 184/26-37; 415/140-147;
123/495, 509; 137/565.34
CPC F02M 37/04; F02M 37/14; F04B 53/92;
F04B 1/005

See application file for complete search history.

(56) **References Cited**

U.S. PATENT DOCUMENTS

D499,426 S	*	12/2004	Chou	D15/7
D627,795 S	*	11/2010	Eckhardt	D15/9
D629,424 S	*	12/2010	Eckhardt	D15/9
D722,618 S	*	2/2015	Wong	D15/9
D723,588 S	*	3/2015	Wang	D15/9
D727,972 S	*	4/2015	Jhou	D15/9

D727,973 S	*	4/2015	Jhou	D15/9
D734,367 S	*	7/2015	Jhou	D15/9
D737,864 S	*	9/2015	Jhou	D15/9
D778,959 S	*	2/2017	Marini	D15/7

OTHER PUBLICATIONS

Best Rest Products LLC, "Cycle Pump" Advertisements, 2002, 6 pages.

* cited by examiner

Primary Examiner — Ralf Seifert

(74) *Attorney, Agent, or Firm* — Schacht Law Office, Inc.; Dwayne Rogge

(57) **CLAIM**

The ornamental design for a tire inflator, as shown and described.

DESCRIPTION

FIG. 1 is a front isometric view of the tire inflator embodying the new design showing visually tangential edges.

FIG. 2 is a front view thereof.

FIG. 3 is a rear view thereof.

FIG. 4 is a left view thereof.

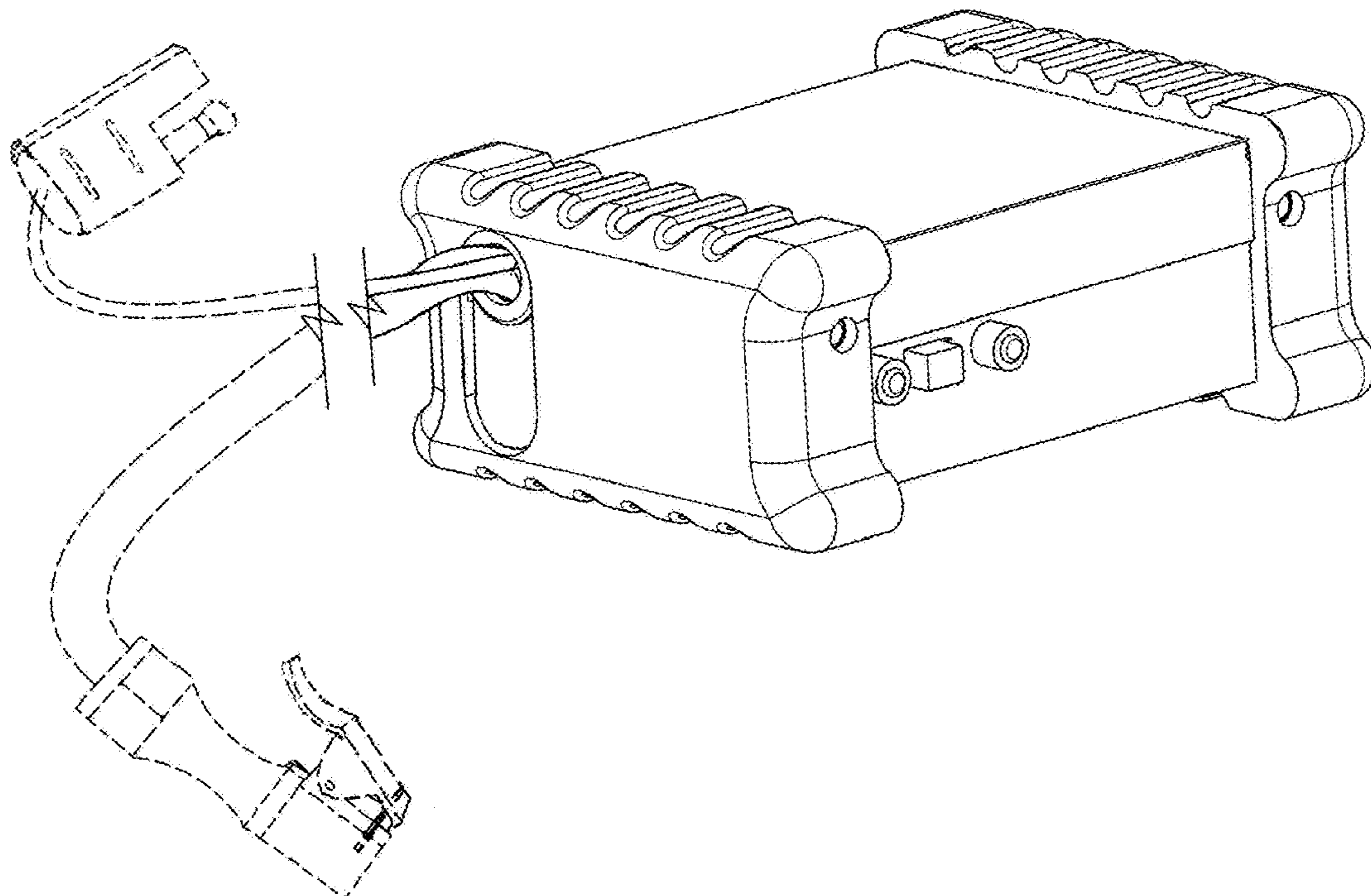
FIG. 5 is a right view thereof.

FIG. 6 is a top view thereof; and,

FIG. 7 is a bottom view thereof.

Broken lines form no part of the design to be patented.

1 Claim, 3 Drawing Sheets



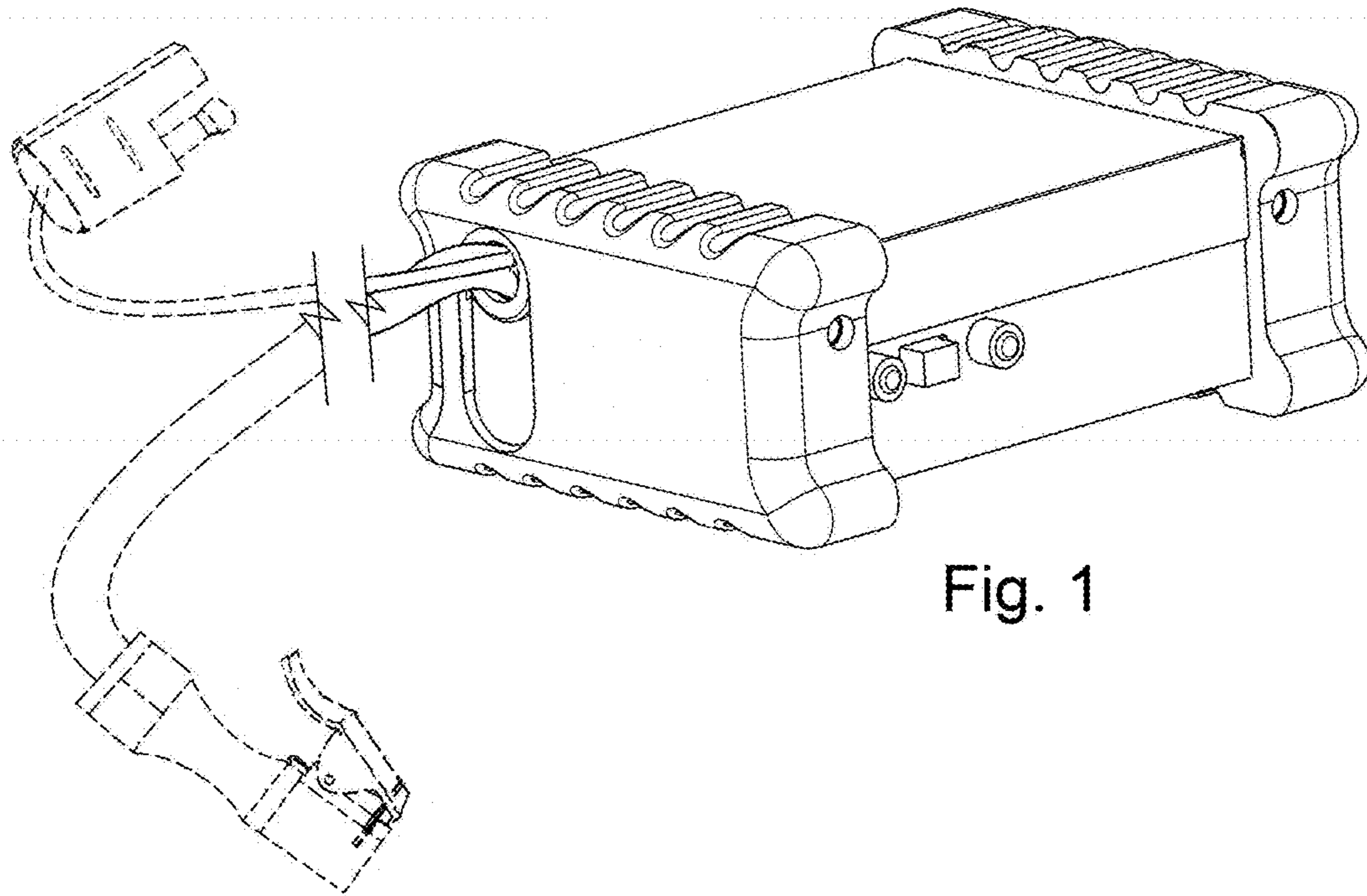


Fig. 1

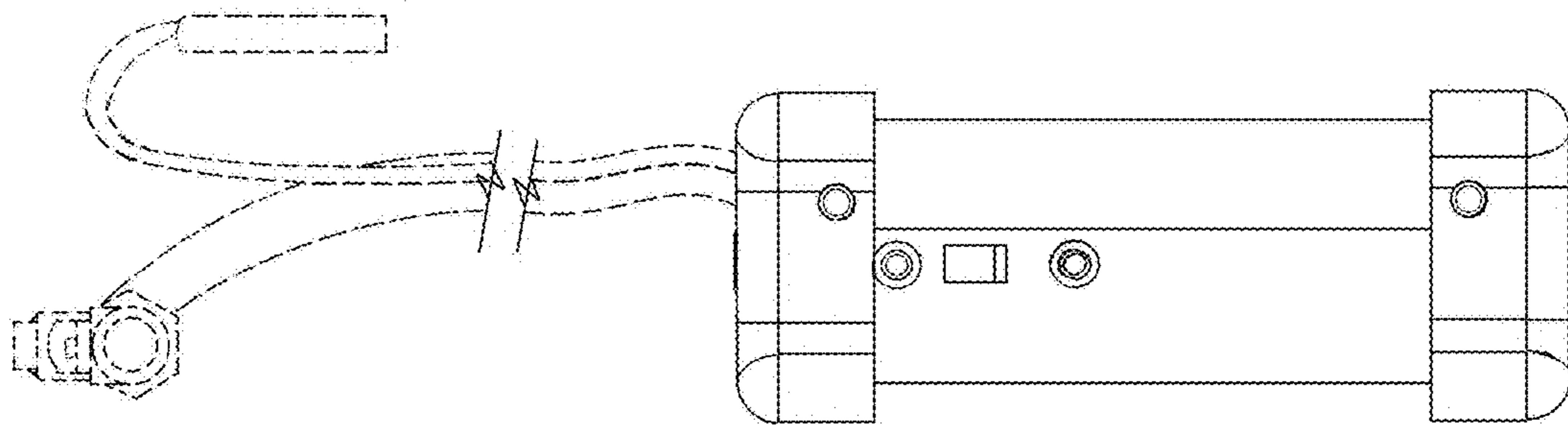


Fig. 2

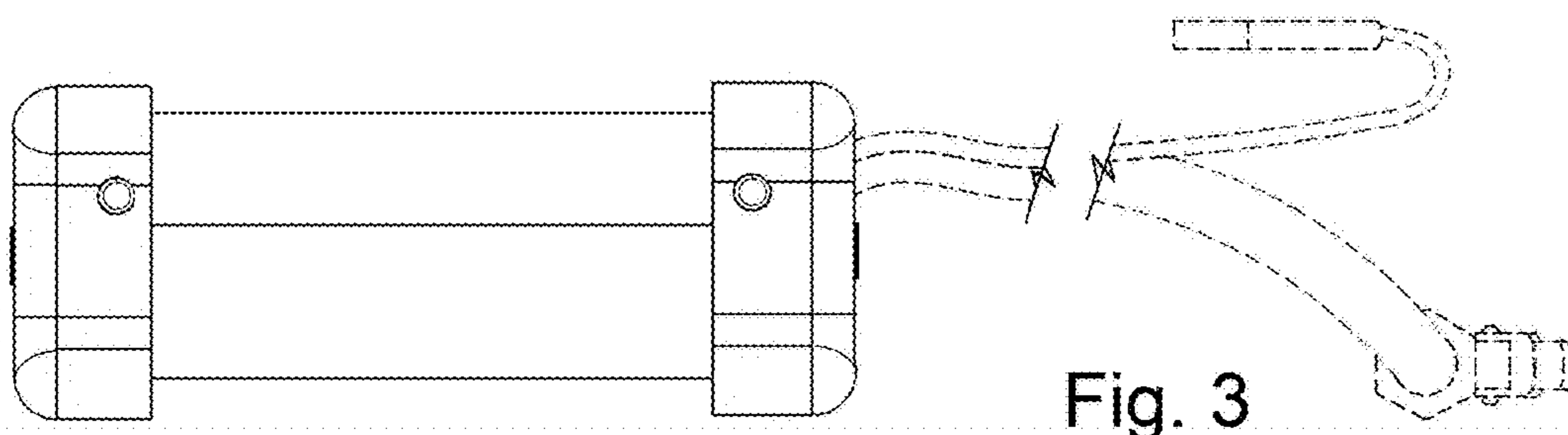


Fig. 3

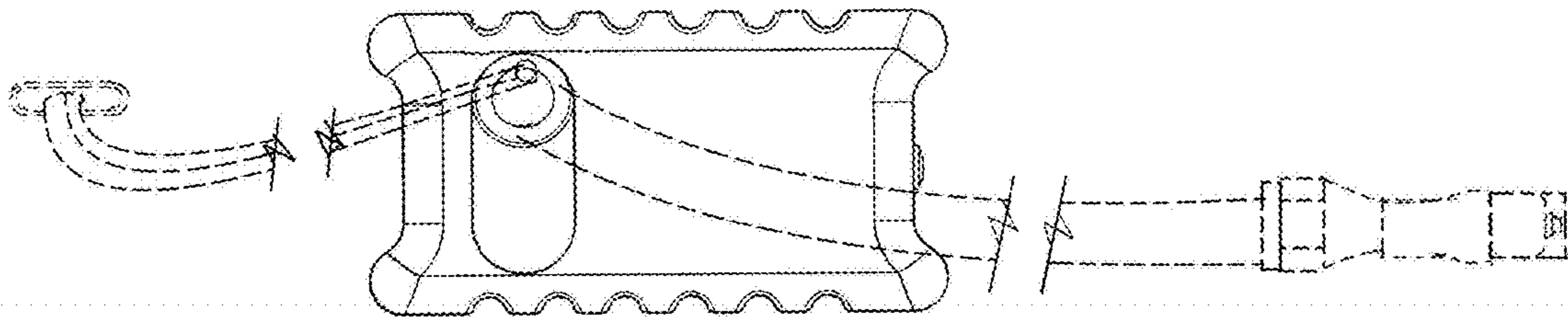


Fig. 4

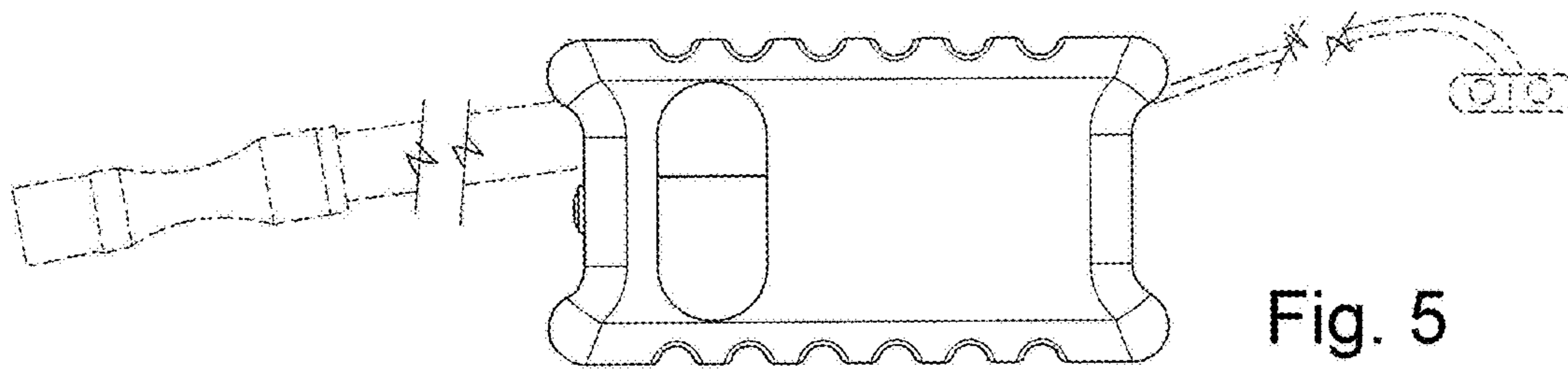


Fig. 5

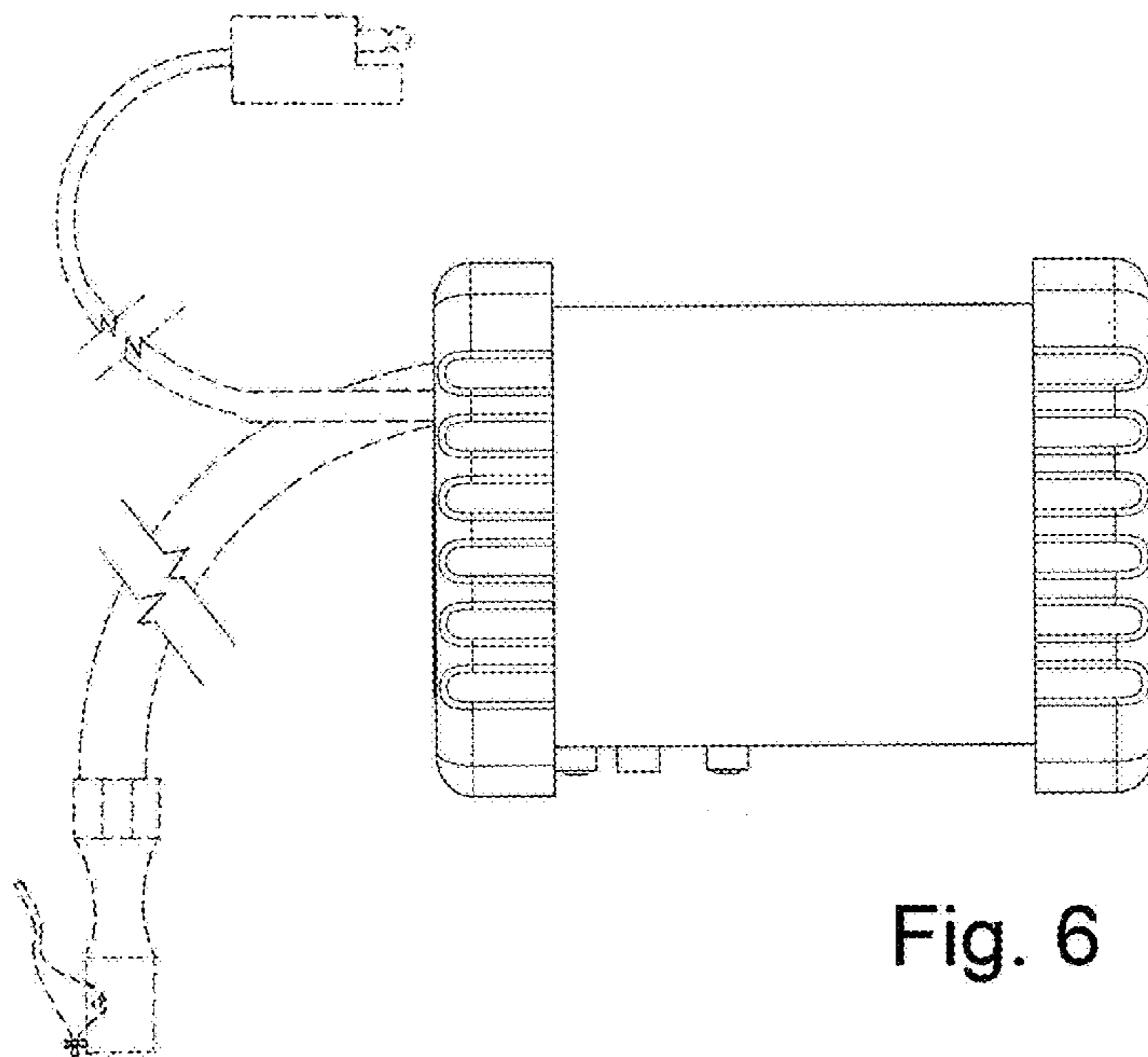


Fig. 6

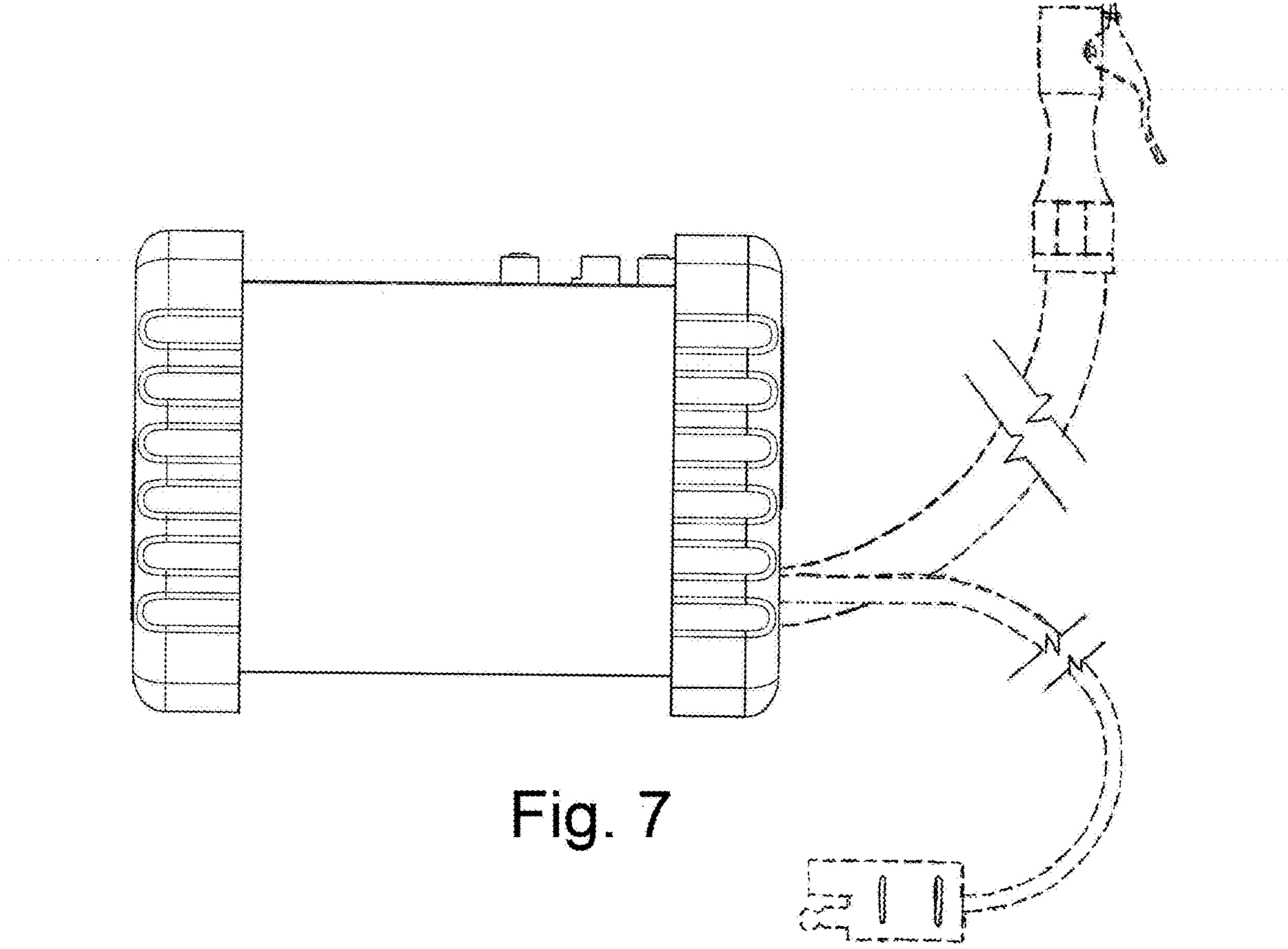


Fig. 7