



US00D800786S

(12) **United States Design Patent** (10) **Patent No.:** **US D800,786 S**
Fox (45) **Date of Patent:** **** Oct. 24, 2017**

(54) **HYDRAULIC CONTROL UNIT**
(71) Applicant: **Eaton Corporation**, Cleveland, OH (US)
(72) Inventor: **Matthew G. Fox**, Ceresco, MI (US)
(73) Assignee: **Eaton Corporation**, Cleveland, OH (US)
(**) Term: **15 Years**
(21) Appl. No.: **29/594,158**
(22) Filed: **Feb. 16, 2017**

8,485,802 B2 7/2013 Bachmann et al.
D723,063 S * 2/2015 Edler D15/7
D744,542 S * 12/2015 Edler D15/7
(Continued)

FOREIGN PATENT DOCUMENTS

DE 748353 11/1944
DE 3524615 C2 9/1993
(Continued)

Primary Examiner — T. Chase Nelson
Assistant Examiner — Ania Aman
(74) *Attorney, Agent, or Firm* — RMCK Law Group, PLC

Related U.S. Application Data

(63) Continuation of application No. 29/535,729, filed on Aug. 10, 2015, now Pat. No. Des. 779,561, which is a continuation-in-part of application No. 29/533,526, filed on Jul. 17, 2015, now Pat. No. Des. 779,560.
(51) **LOC (10) Cl.** **15-01**
(52) **U.S. Cl.**
USPC **D15/5**
(58) **Field of Classification Search**
USPC D15/5, 7, 8, 9, 148, 149, 199; D23/231, D23/232; D12/160, 159
CPC F15B 11/162; F15B 11/26; F15B 13/044; F15B 13/026; F15B 2211/781; F16H 39/40
See application file for complete search history.

(57) **CLAIM**

The ornamental design for a hydraulic control unit, as shown and described.

DESCRIPTION

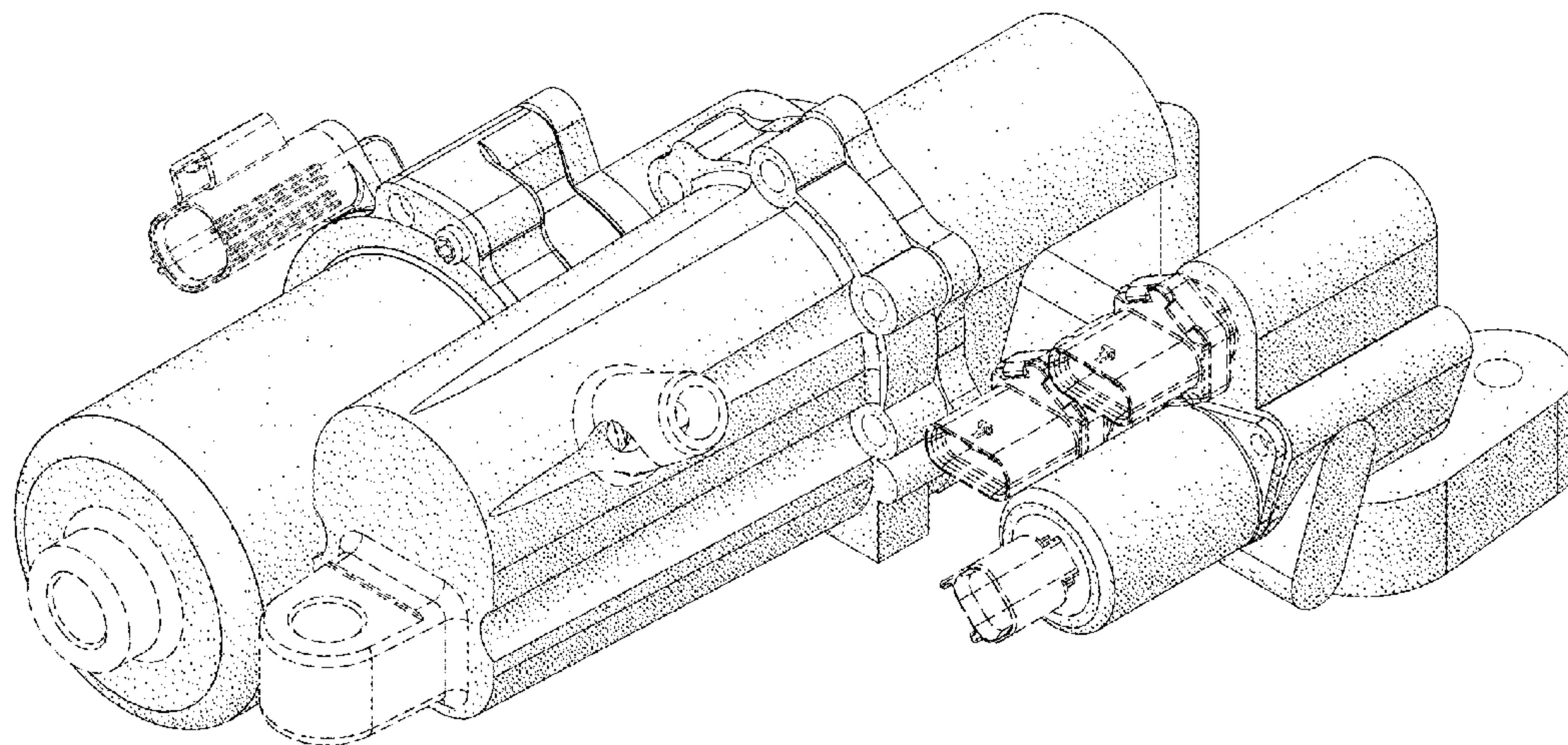
FIG. 1 is a front perspective view of a hydraulic control unit showing the new design.
FIG. 2 is a rear perspective view of the hydraulic control unit of FIG. 1.
FIG. 3 is a first end view of the hydraulic control unit of FIG. 1.
FIG. 4 is a second end view of the hydraulic control unit of FIG. 1.
FIG. 5 is a top plan view of the hydraulic control unit of FIG. 1.
FIG. 6 is a bottom plan view of the hydraulic control unit of FIG. 1.
FIG. 7 is a first side view of the hydraulic control unit of FIG. 1; and,
FIG. 8 is a second side view of the hydraulic control unit of FIG. 1.
Any portion of the hydraulic control unit shown in broken lines is for the purpose of illustrating environmental structure that forms no part of the claimed design.

(56) **References Cited**

U.S. PATENT DOCUMENTS

4,679,463 A 7/1987 Ozaki et al.
D308,209 S 5/1990 Laqua et al.
6,685,437 B2 2/2004 Koenig et al.
7,857,723 B2 12/2010 Krisher
7,891,730 B2 2/2011 Rikkert
7,895,837 B2 3/2011 Bass
D653,182 S * 1/2012 Hatano D12/180
8,226,382 B2 7/2012 Vogt

1 Claim, 6 Drawing Sheets



(56)

References Cited

U.S. PATENT DOCUMENTS

| | | | | | |
|--------------|-----|---------|------------------|-------|---------------------------|
| D771,147 | S * | 11/2016 | Fisher | | D15/5 |
| D776,719 | S * | 1/2017 | Fisher | | D15/5 |
| 2001/0035323 | A1 | 11/2001 | Porter | | |
| 2005/0096172 | A1* | 5/2005 | Mueller | | B60K 17/3467 475/204 |
| 2007/0087890 | A1* | 4/2007 | Hamrin | | F16H 48/10 475/249 |
| 2011/0147111 | A1 | 6/2011 | Sun et al. | | |
| 2012/0329592 | A1 | 12/2012 | Sun et al. | | |
| 2013/0199883 | A1* | 8/2013 | Akiba | | F16D 25/082 192/48.609 |
| 2014/0179484 | A1 | 6/2014 | Fox et al. | | |
| 2014/0274529 | A1* | 9/2014 | Edler | | F16H 48/22 475/150 |
| 2015/0075923 | A1* | 3/2015 | Jang | | H02K 7/116 188/162 |
| 2015/0105210 | A1* | 4/2015 | Wadhva | | F16H 48/08 475/232 |
| 2015/0119181 | A1* | 4/2015 | Fox | | B60K 1/00 475/150 |
| 2016/0076634 | A1 | 3/2016 | Mitsubori et al. | | |
| 2016/0160982 | A1* | 6/2016 | Edler | | F01C 21/108 418/61.3 |
| 2017/0045127 | A1* | 2/2017 | Fisher | | F16H 48/32 |

FOREIGN PATENT DOCUMENTS

| | | | |
|----|--------------|----|--------|
| DE | 102009038377 | A1 | 3/2010 |
| EP | 1118800 | B1 | 4/2009 |
| WO | 2008008705 | A2 | 1/2008 |
| WO | 2015026411 | A2 | 2/2015 |

* cited by examiner

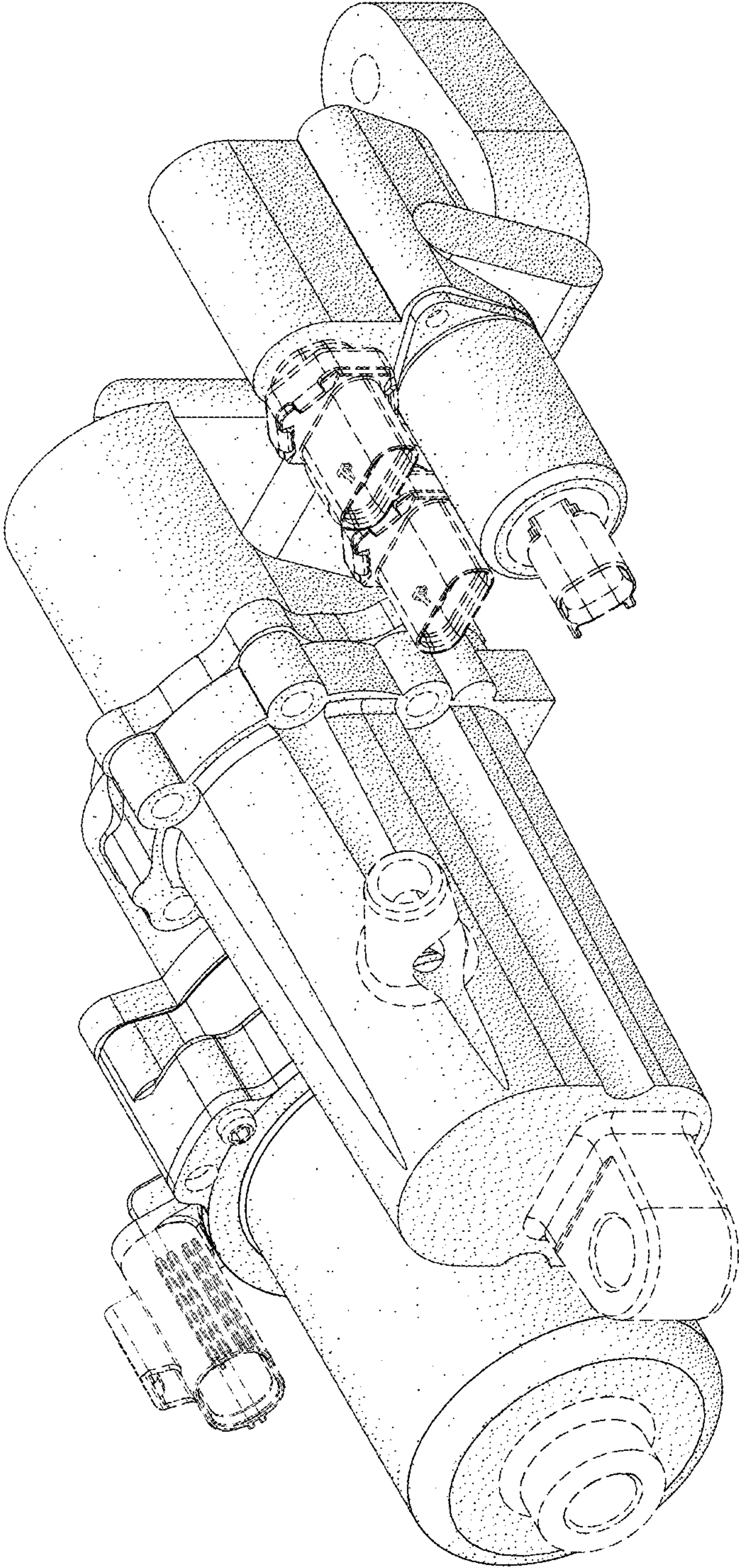


FIG. 1

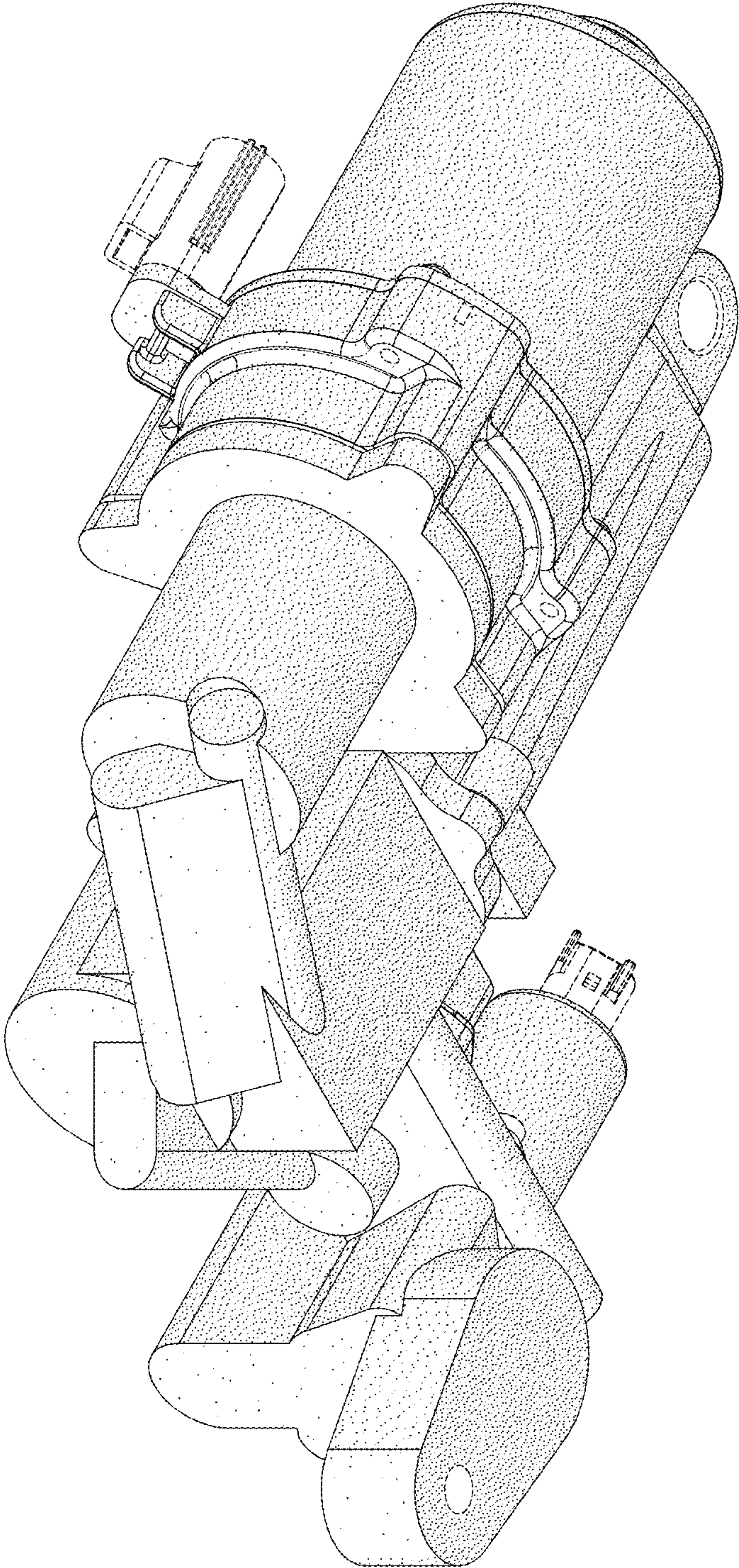


FIG. 2

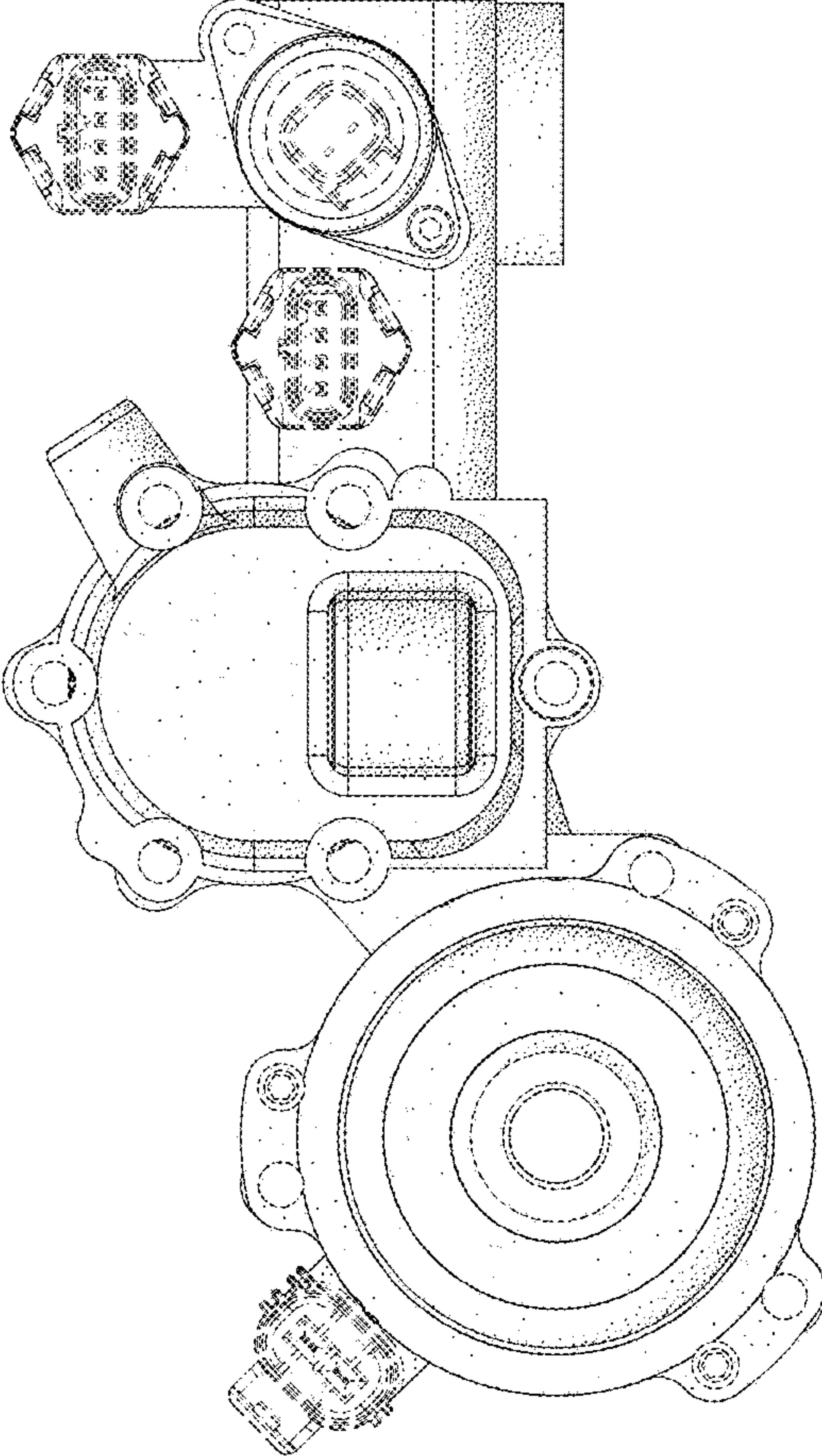


FIG.3

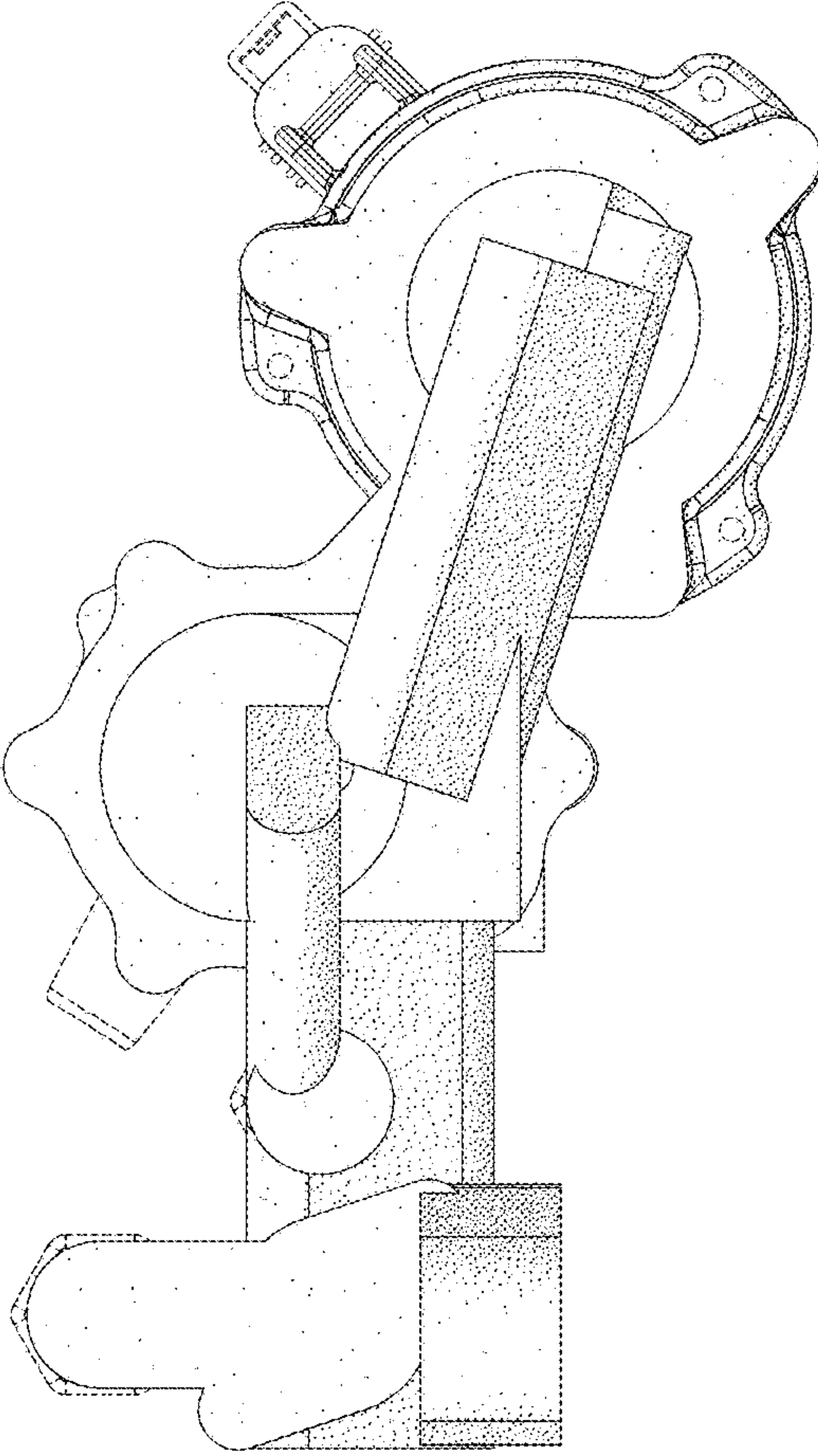


FIG.4

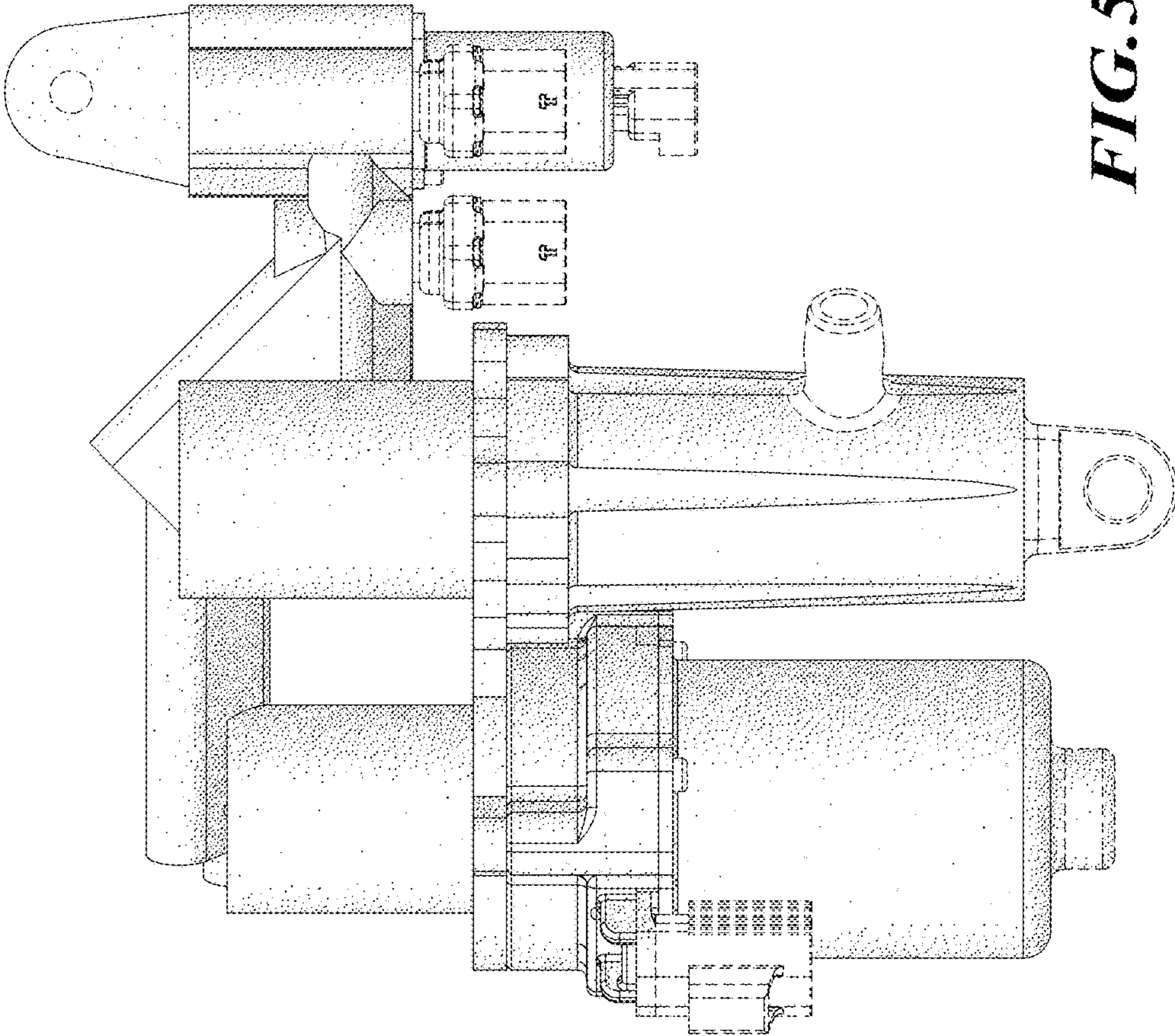


FIG. 5

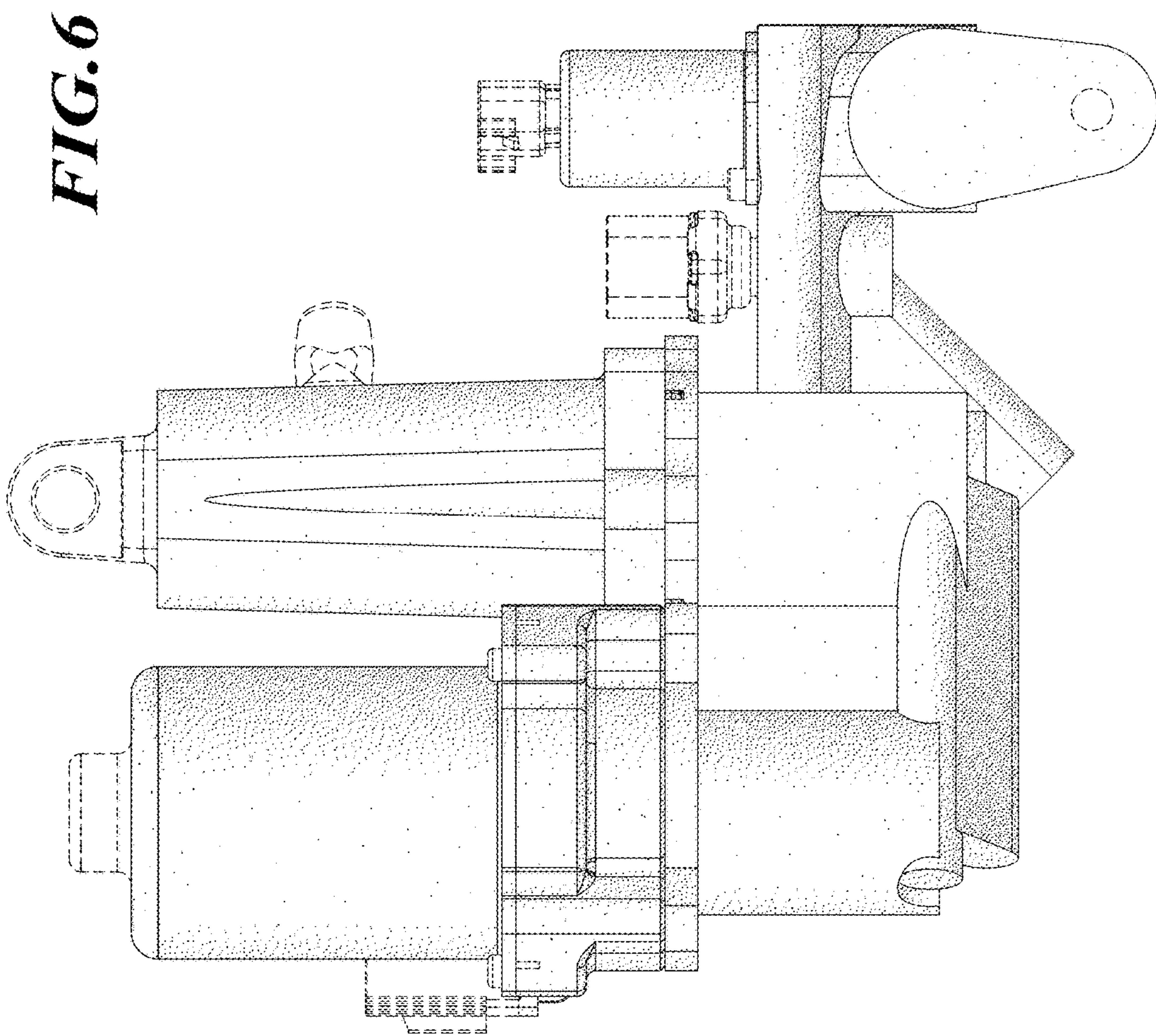


FIG. 7

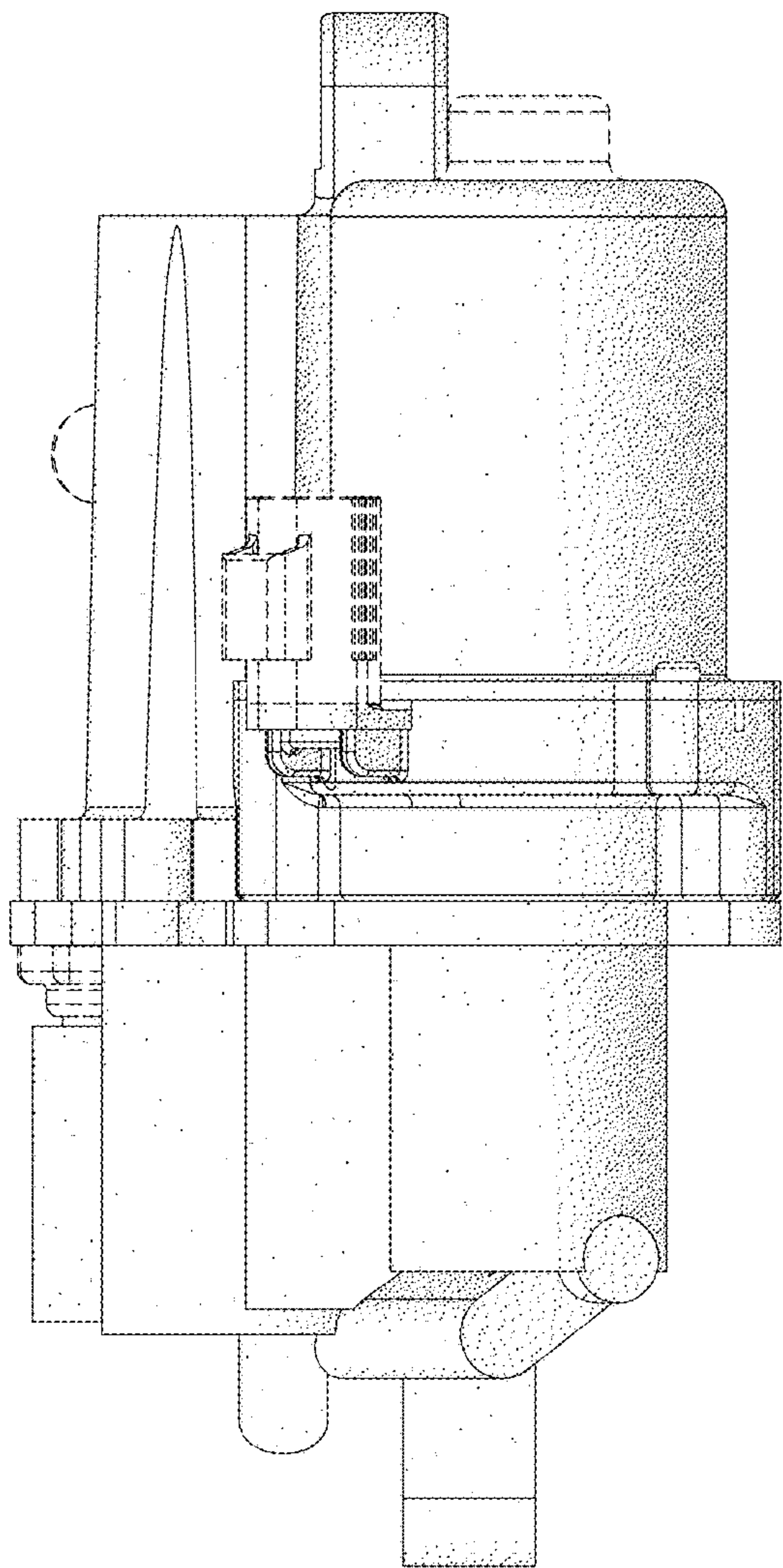


FIG. 8

