



US00D800785S

(12) **United States Design Patent** (10) **Patent No.:** **US D800,785 S**  
**Kallur Parasuraman** (45) **Date of Patent:** **\*\* Oct. 24, 2017**

(54) **ENGINE BRACKET** 2007/0131469 A1\* 6/2007 Kim ..... B60K 5/1216  
 180/293  
 (71) Applicant: **Perkins Engines Company Limited,** 2010/0059912 A1\* 3/2010 Takakura ..... F16F 1/3849  
 Peterborough (GB) 267/140.12  
 (72) Inventor: **Shankar Raman Kallur Parasuraman,** 2015/0046031 A1\* 2/2015 Gagliano ..... B60G 17/0152  
 Taramani (IN) 701/37  
 2016/0053663 A1\* 2/2016 Davison ..... F01N 13/008  
 60/301

(73) Assignee: **Perkins Engines Company Limited,**  
 Peterborough (GB)

\* cited by examiner

(\*\*) Term: **15 Years**

*Primary Examiner* — T. Chase Nelson  
*Assistant Examiner* — Ania Aman

(21) Appl. No.: **29/578,759**

(22) Filed: **Sep. 23, 2016**

(30) **Foreign Application Priority Data**

Apr. 11, 2016 (EM) ..... 003063908-0001

(51) **LOC (10) Cl.** ..... **15-01**

(52) **U.S. Cl.**  
 USPC ..... **D15/5**

(58) **Field of Classification Search**  
 USPC .... D15/5; D8/349, 354, 356, 363, 366, 380,  
 D8/382, 383, 394, 396, 499, 352;  
 D12/223, 87

CPC ..... B60Y 2304/05; B60K 5/1283;  
 B60K 5/1216; B60K 5/1291;  
 B60K 5/1266; B60K 5/10; B60K 5/1208;  
 B62D 2/11

See application file for complete search history.

(56) **References Cited**

**U.S. PATENT DOCUMENTS**

D731,554 S \* 6/2015 Turuvekere Gurudatt ..... D15/4  
 9,624,815 B2 \* 4/2017 Davison ..... F01N 13/1805

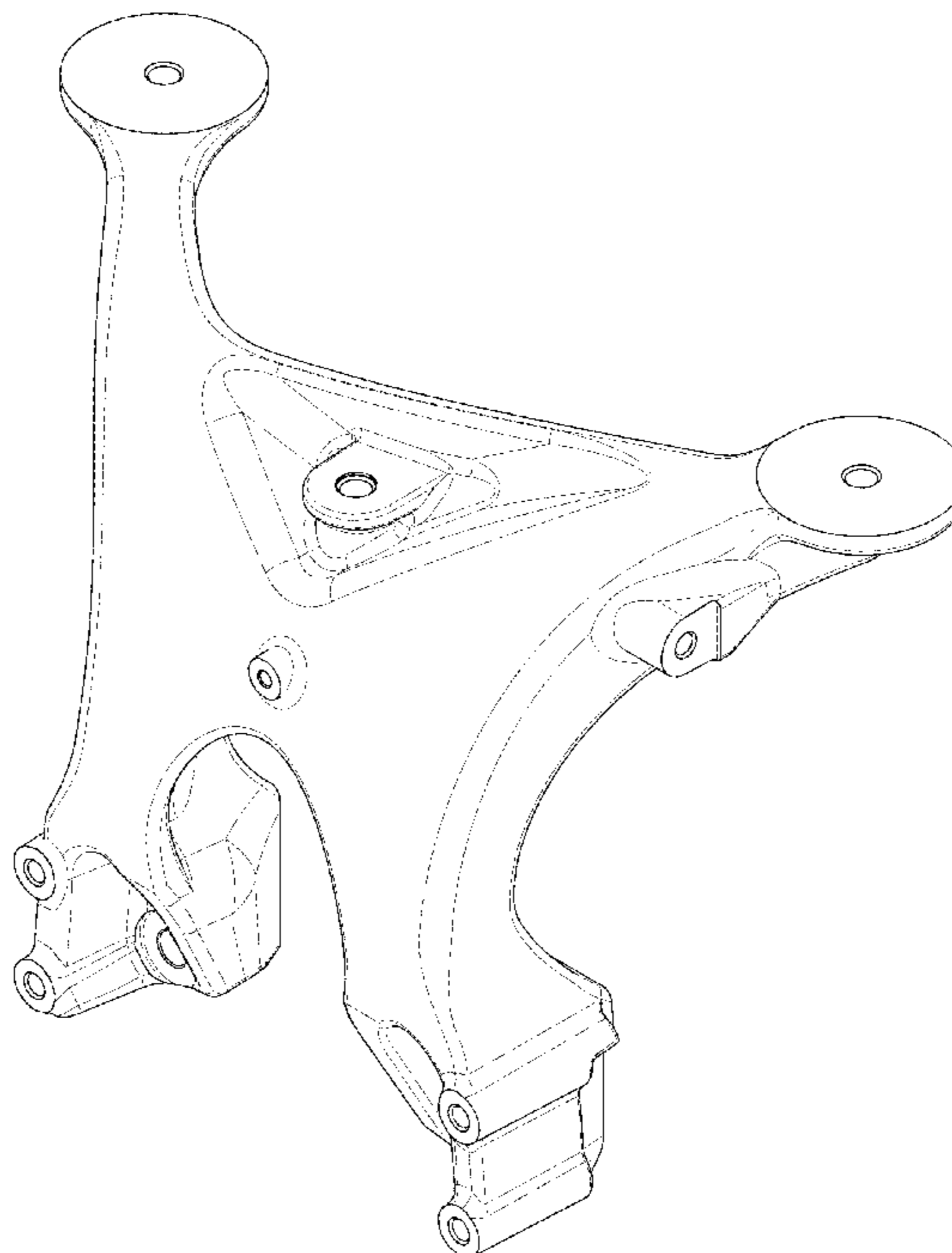
(57) **CLAIM**

The ornamental design for an engine bracket, as shown and described.

**DESCRIPTION**

FIG. 1 is a front perspective view of an engine bracket showing my new design;  
 FIG. 2 is a rear perspective view thereof;  
 FIG. 3 is a front view thereof;  
 FIG. 4 is a rear view thereof;  
 FIG. 5 is a left side view thereof;  
 FIG. 6 is a right side view thereof;  
 FIG. 7 is a top view thereof; and,  
 FIG. 8 is a bottom view thereof.  
 The drawings include CAD lines that represent contour and not surface decoration.

**1 Claim, 8 Drawing Sheets**



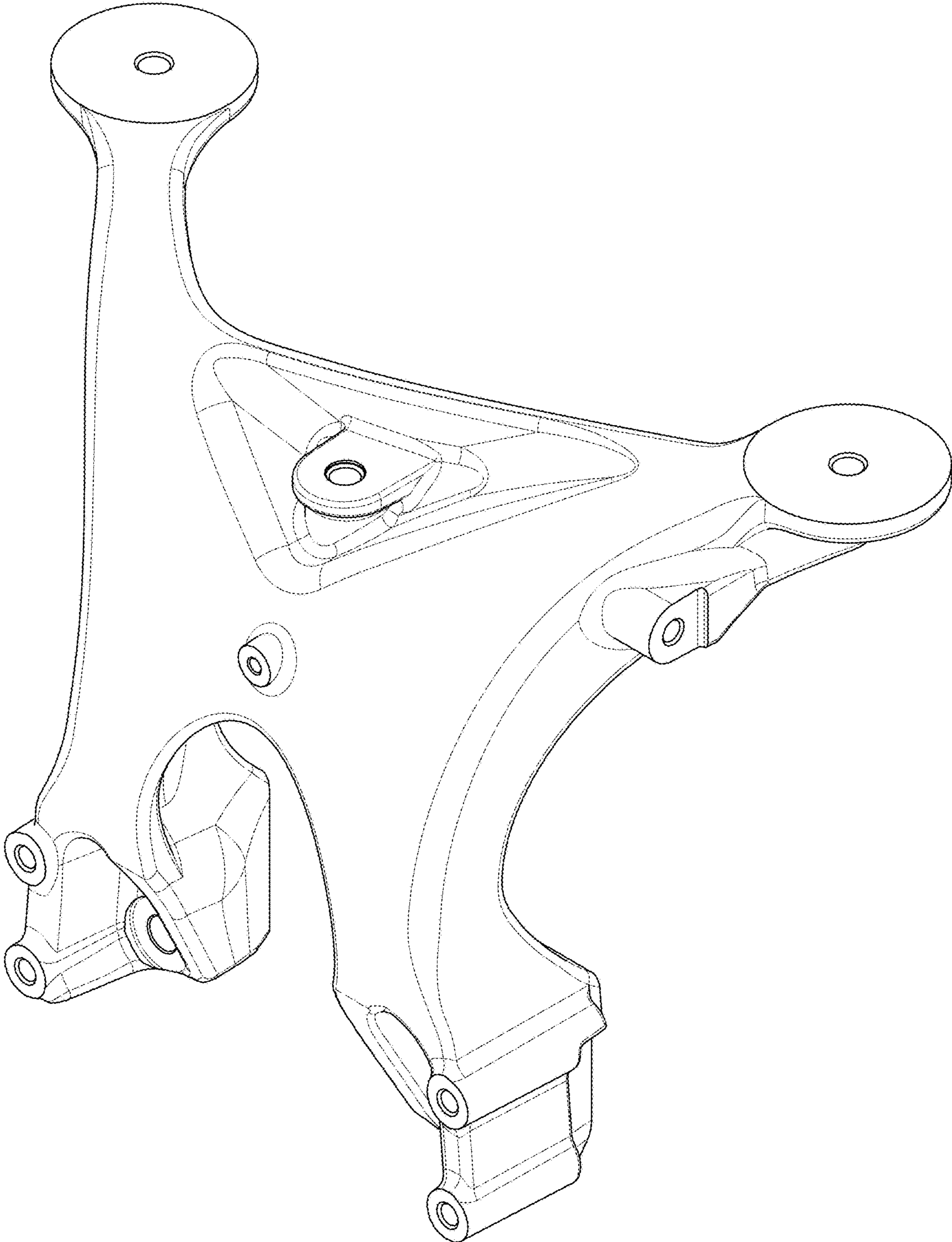


FIG. 1

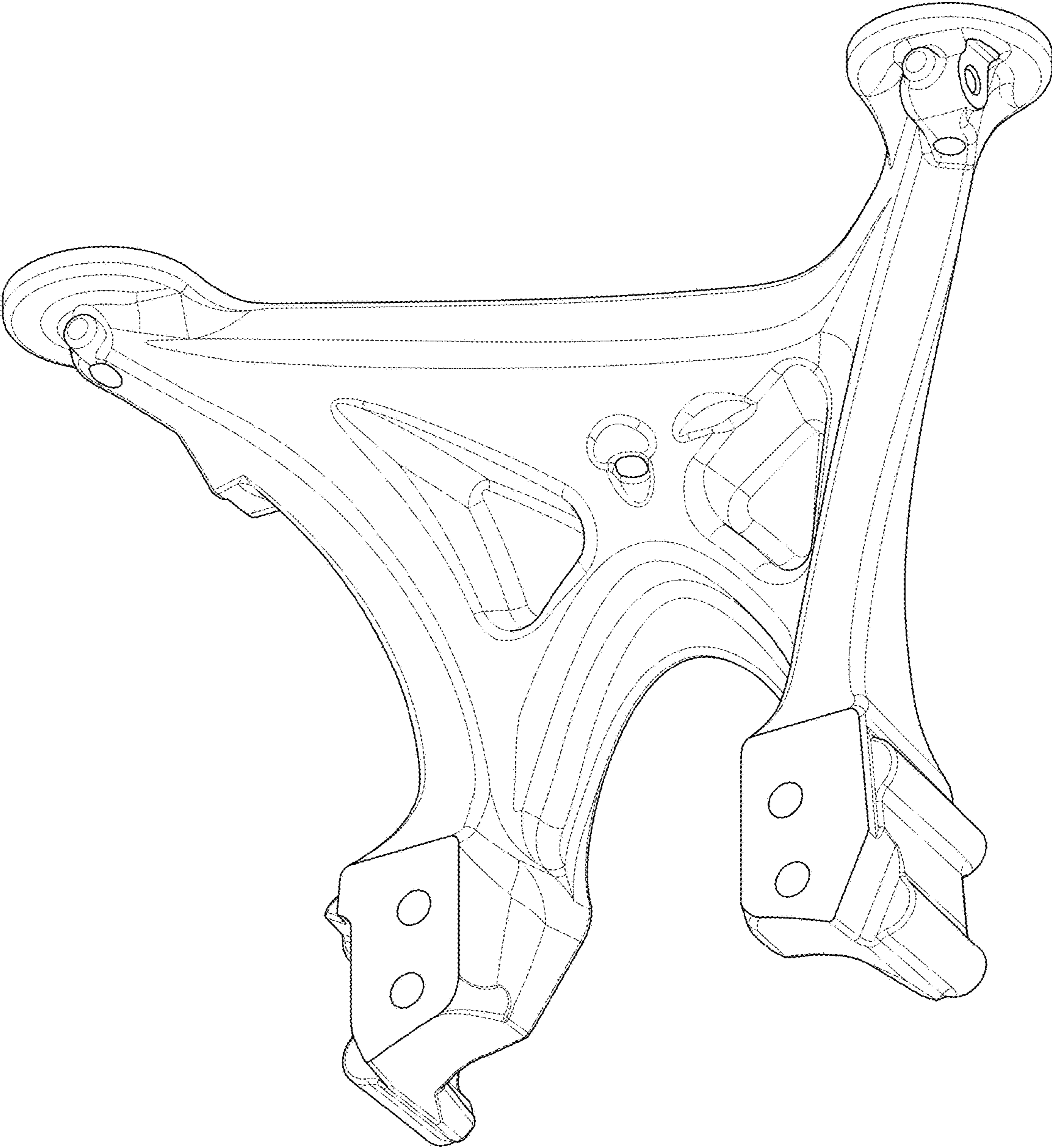


FIG. 2

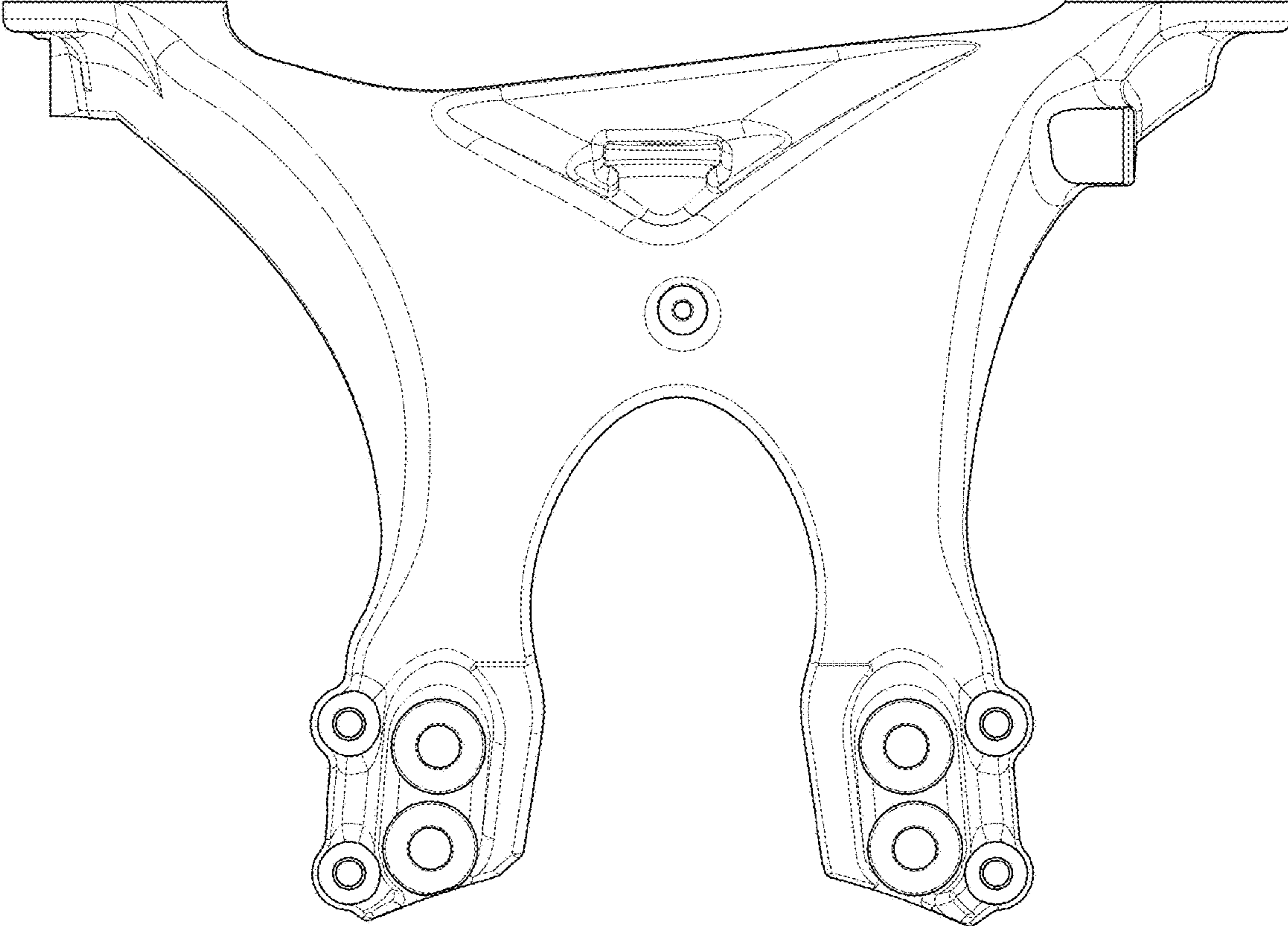


FIG. 3

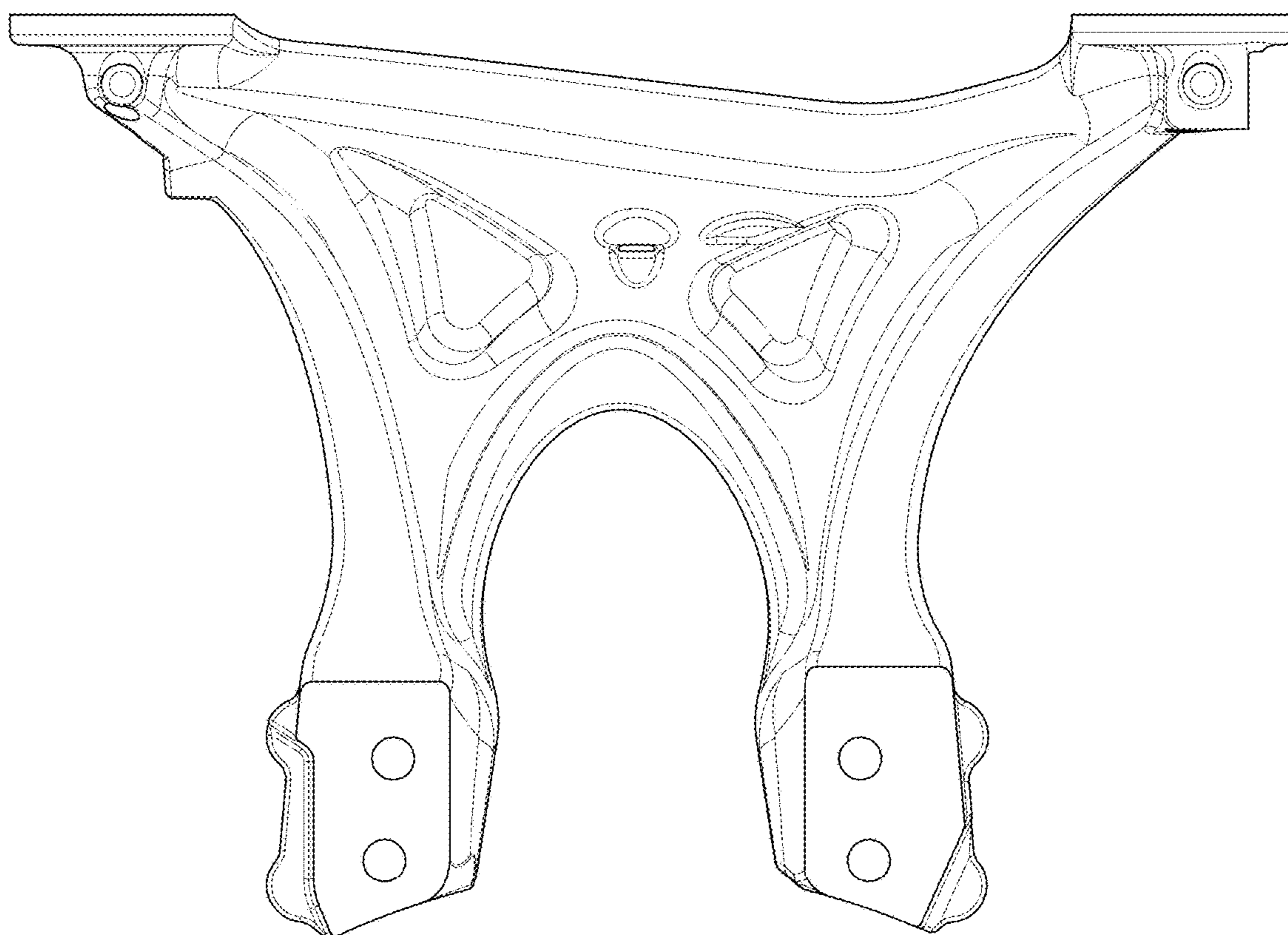
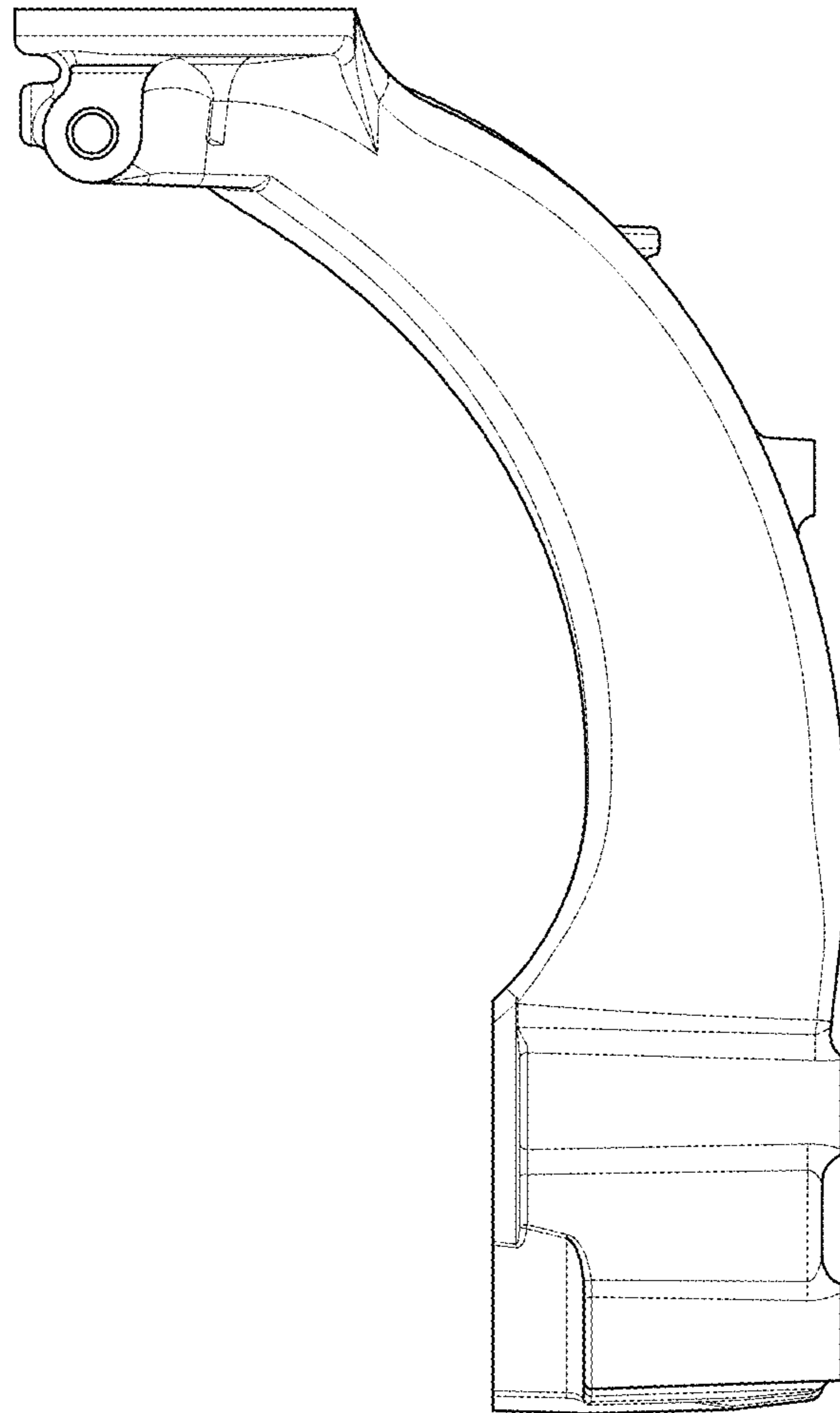
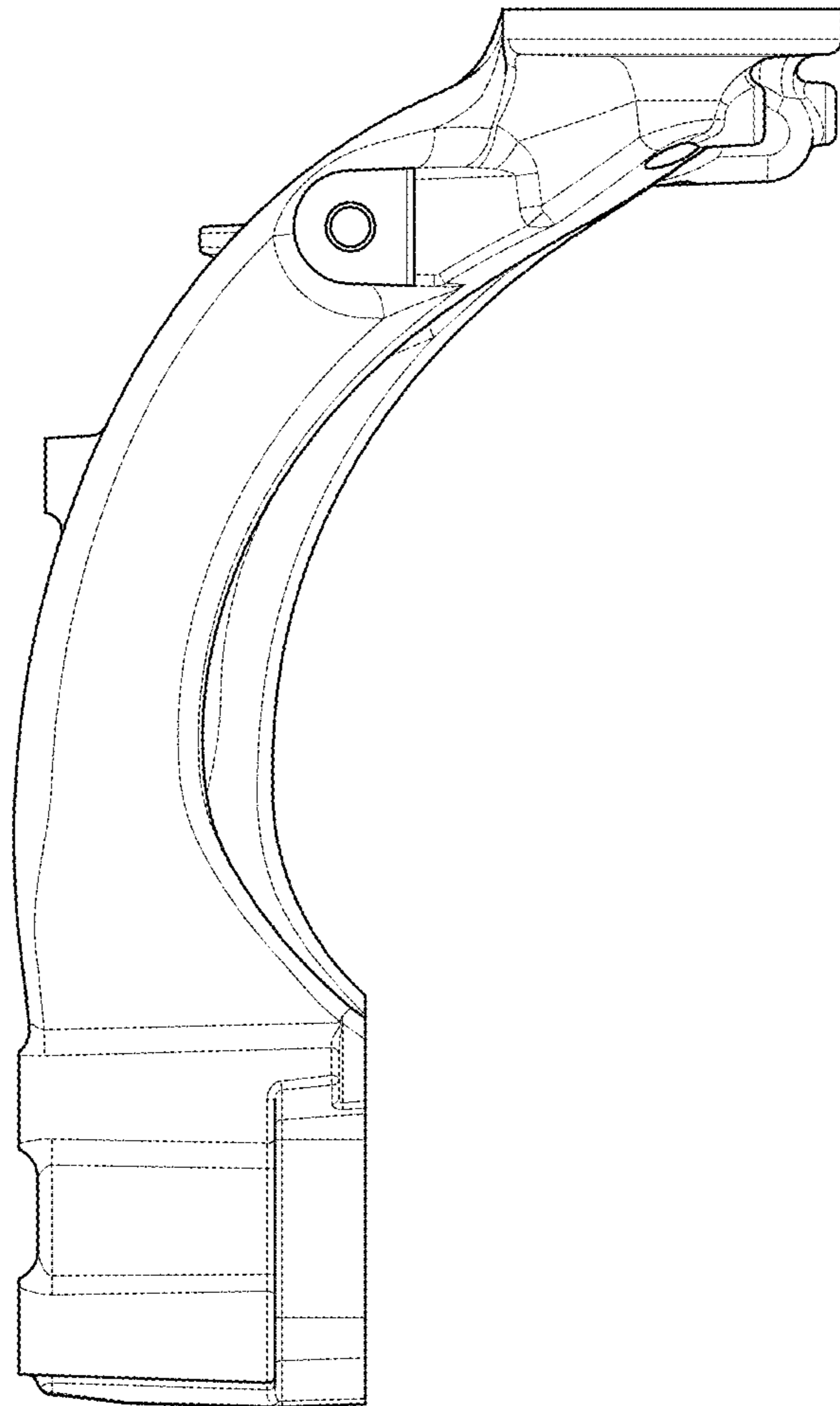


FIG. 4



**FIG. 5**



**FIG. 6**

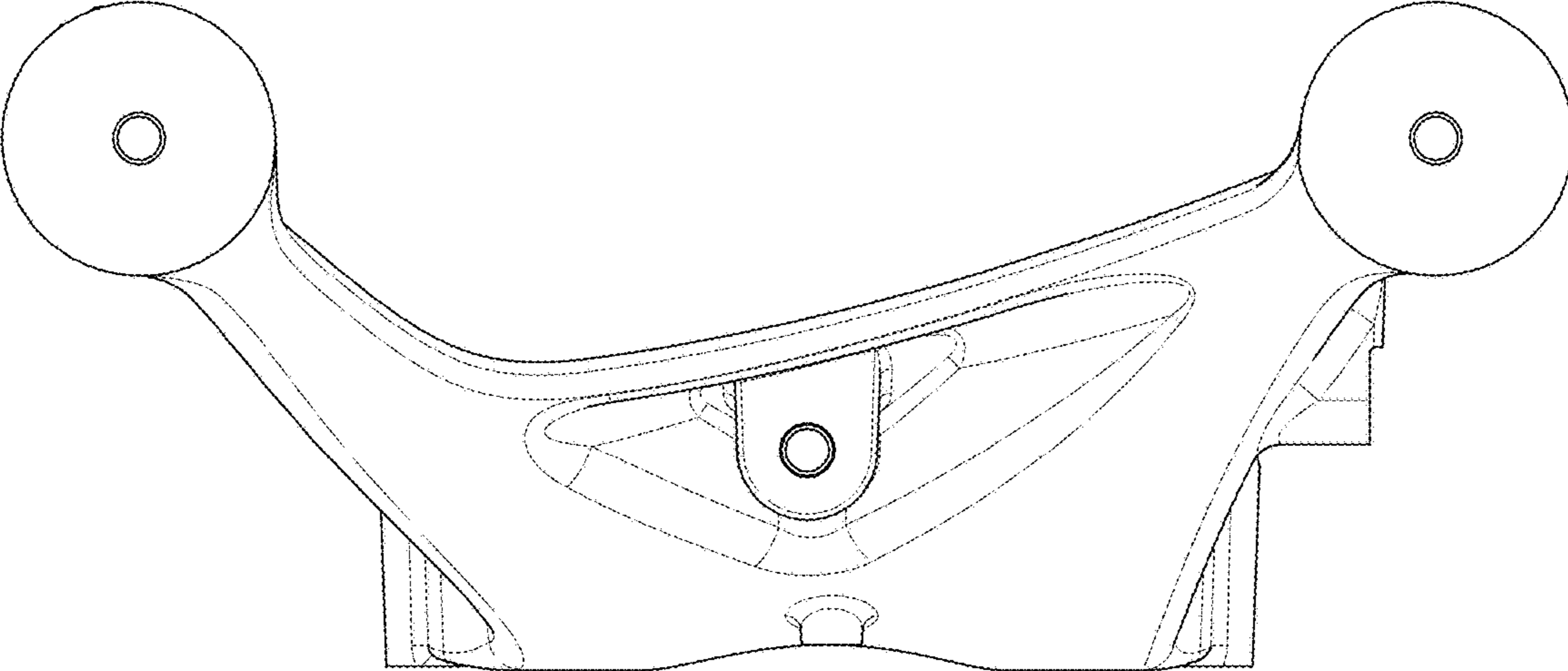
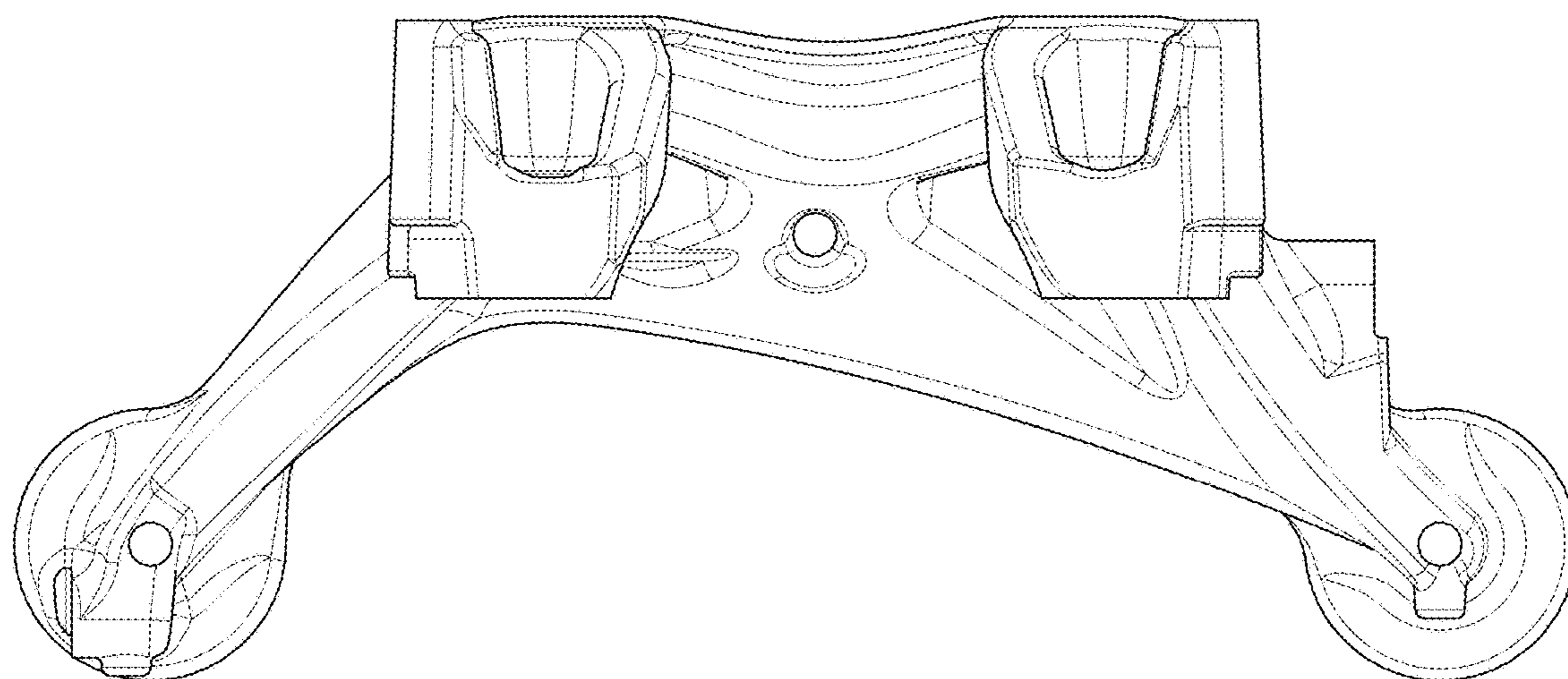


FIG. 7





**FIG. 8**