



US00D800784S

(12) **United States Design Patent** (10) **Patent No.:** **US D800,784 S**
Collins (45) **Date of Patent:** **** Oct. 24, 2017**

(54) **ENGINE AIR CLEANER**
(71) Applicant: **Harley-Davidson Motor Company Group, LLC, Milwaukee, WI (US)**
(72) Inventor: **Stephen R. Collins, Oconomowoc, WI (US)**
(73) Assignee: **Harley-Davidson Motor Company Group, LLC, Milwaukee, WI (US)**
(**) Term: **15 Years**

D354,260 S 1/1995 Davidson et al.
D354,460 S 1/1995 Davidson et al.
D354,461 S 1/1995 Davidson et al.
D354,462 S 1/1995 Davidson et al.
D354,463 S 1/1995 Davidson et al.
D354,464 S 1/1995 Davidson et al.
D363,259 S 10/1995 Davidson et al.
D364,129 S 11/1995 Davidson et al.
D376,567 S 12/1996 Davidson et al.
D390,507 S 2/1998 Hoagland, IV
D392,601 S 3/1998 Ban et al.
D394,027 S 5/1998 Ban et al.
D416,832 S 11/1999 Golden et al.
D422,537 S 4/2000 Pink

(Continued)

(21) Appl. No.: **29/575,050**

(22) Filed: **Aug. 22, 2016**

(51) **LOC (10) Cl.** **15-01**

(52) **U.S. Cl.**
USPC **D15/5; D12/114**

(58) **Field of Classification Search**
USPC D15/1-6; D12/114, 126, 115, 182, 107, D12/117, 179, 223
CPC . F02B 61/02; F02F 7/00; F02F 7/0036; F02F 7/0039; F02F 7/0058; F02F 7/0012; F02F 7/008; F02F 7/0073; F02F 2007/0075; F02F 7/0046; B62J 17/00; B62J 23/00; B62J 13/00; F16H 57/05; F02M 25/06; F02M 35/024; F02M 35/04; F02M 35/02; F02M 35/10144; F02M 35/14; F02M 35/10013; F02M 35/161; F02M 35/021; F01M 13/0416; F01M 11/02; F01M 13/00; F01P 11/12; F01P 2050/16
See application file for complete search history.

(56) **References Cited**

U.S. PATENT DOCUMENTS

D160,439 S 10/1950 Smith
D203,064 S 11/1965 Schreckengost
3,748,458 A 7/1973 Morrison et al.
D294,923 S 3/1988 Nagy
D324,610 S 3/1992 Fox et al.

OTHER PUBLICATIONS

Custom Chrome 1989 Catalog, Jan. 1, 1989, p. 128.
(Continued)

Primary Examiner — T. Chase Nelson
Assistant Examiner — Ania Aman
(74) *Attorney, Agent, or Firm* — Michael Best & Friedrich LLP

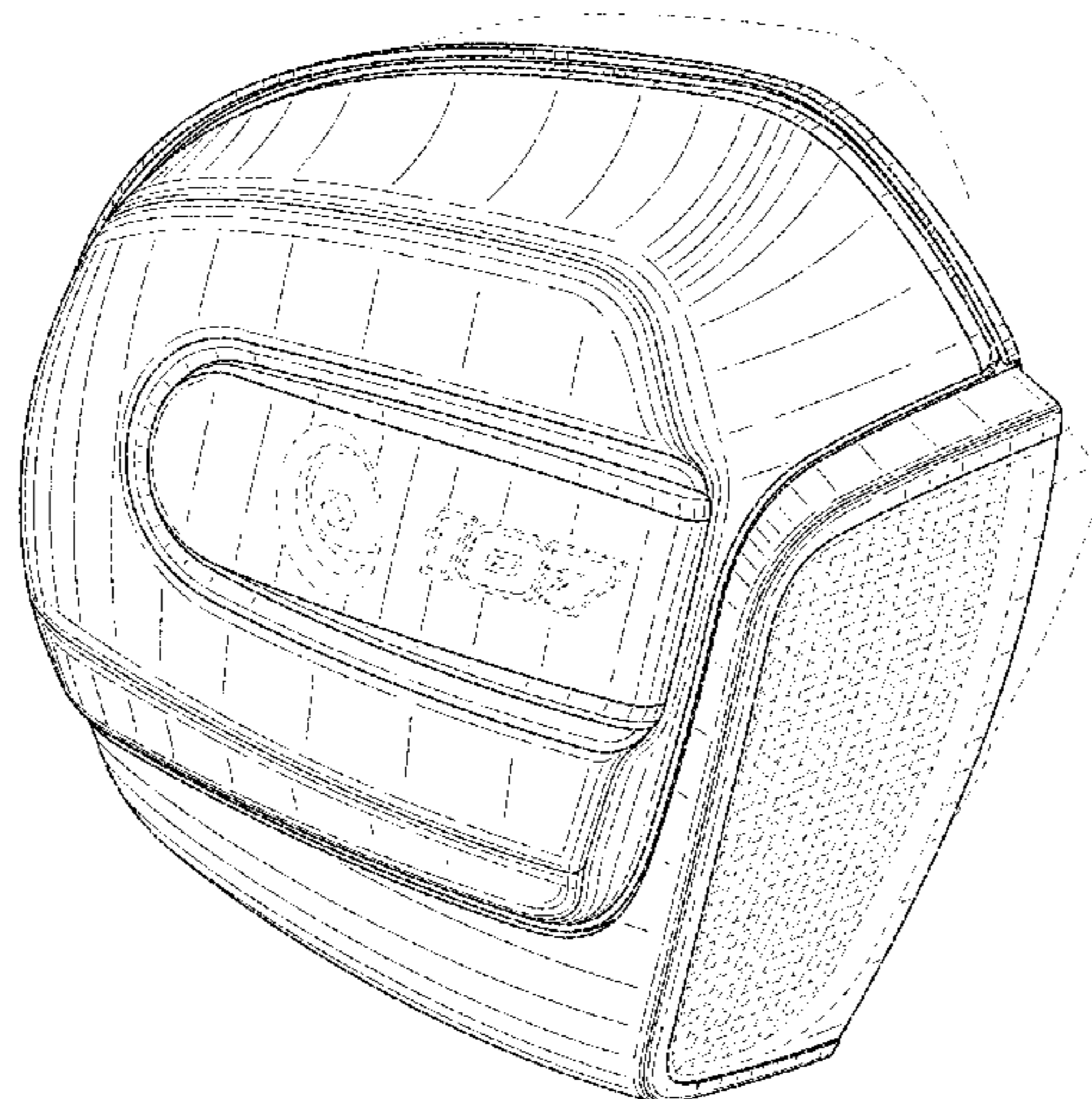
(57) **CLAIM**

I claim the ornamental design for an engine air cleaner, as shown and described.

DESCRIPTION

FIG. 1 is a perspective view of an engine air cleaner; FIG. 2 is a front view thereof; FIG. 3 is a rear view thereof; FIG. 4 is a right side view thereof; FIG. 5 is a left side view thereof; FIG. 6 is a top view thereof; and, FIG. 7 is a bottom view thereof.
The broken lines shown in the drawings are for the purpose of illustrating portions of the article that form no part of the claimed design.

1 Claim, 7 Drawing Sheets



(56)

References Cited

U.S. PATENT DOCUMENTS

D434,352 S	11/2000	Davidson et al.	
D440,189 S	4/2001	Ban et al.	
D445,365 S	7/2001	Davidson et al.	
D446,753 S	8/2001	Golden et al.	
D483,274 S	12/2003	Garcia, Jr.	
D491,113 S	6/2004	Nelson	
D510,235 S	10/2005	Sorensen	
D510,301 S	10/2005	Schmidt	
D518,420 S	4/2006	Schmidt	
D522,931 S	6/2006	Simpson	
D541,303 S *	4/2007	Drew	D15/5
D551,817 S	9/2007	Scheifele et al.	
D564,420 S	3/2008	Devlin	
D574,301 S *	8/2008	Garcia	D12/126
D600,599 S	9/2009	Watanabe et al.	
D706,687 S	6/2014	Nash et al.	
D708,987 S	7/2014	Nash et al.	
2002/0176610 A1	11/2002	Okazaki	
2008/0223327 A1	9/2008	Smith et al.	
2010/0163331 A1	7/2010	Nakamura	

OTHER PUBLICATIONS

Custom Chrome 1992 Catalog, pp. 170-173.
 1994 Custom Chrome Catalog, pp. 298-302 and 719.
 Custom Chrome, air cleaner covers shown on pp. 9.14 and 9.16, 1999.
 Drag Specialties, pp. 162 and 163; 1995.
 Drag Specialties Catalog, 1987, p. 68, the chrome in—inspection covers (D).
 Drag Specialties Fatbook, air cleaner covers shown on pp. 225-227, 1999.
 Format Catalog, p. 120; 1983 oval shapes (#6826).
 Harley Davidson Motor Company, Air Cleaner Cover, Part No. 29754-01, Publicly available on or before Mar. 12, 2012.

Harley Davidson Motor Company, Bobber-Style Round Air Cleaner Cover, Part No. 61300120, Publicly available on or before Mar. 12, 2012.
 Harley Davidson Motor Company, Forged Billet Air Cleaner Cover, Part No. 29506-09, Publicly available on or before Mar. 12, 2012.
 Harley Davidson Motor Company, Instructions-103097, Sportster Ribbed Air Cleaner Cover Kit No. 29837-04, dated Jan. 1, 2004, 2 pages.
 Harley Davidson Motor Company, Screaming Eagle Ventilator Performance Air Cleaner Kit, Part No. 29915-09, Publicly available on or before Mar. 12, 2012.
 Harley Davidson Motor Company, Smooth Air Cleaner Cover, Part No. 29153-07, Publicly available on or before Mar. 12, 2012.
 Harley-Davidson, 1993/94 Five-Speed/Belt Drive Parts Catalog-All Models, Part No. 99451-94, Air Cleaner & Enrichener, p. 22, published prior to Jan. 1, 1994.
 Harley-Davidson Genuine Motor Accessories & Genuine Motor Parts, air cleaner cover on p. 141, 1999.
 Harley-Davidson Genuine Motor Accessories & Genuine Motor Parts, air cleaner cover at top of p. 313, 1999.
 Harley-Davidson Motorcycles catalog, XLH Spotster 1200, 1996.
 Harley-Davidson, 1995 Harley-Davidson Genuine Parts & Accessories, Eagle Iron, p. 140, published prior to Jan. 1, 1996.
 Harley-Davidson, 1996 Harley-Davidson Genuine Motor Accessories and Genuine Motor Parts Catalog, p. 136 and p. 154, published prior to Jan. 1, 1996.
 Harley-Davidson, Inc., 1994 Motorcycles, Jan. 1, 1994, p. 12.
 J&P Cycles, 1997 Parts and Accessories for Your Harley-Davidson, pp. 5-11 through 5-16, published prior to Jan. 1, 1998.
 V-Twin Manufacturing Uniquely 1994 Catalog p. 369.
 1991 Harley-Davidson, Inc. Accessories Catalog, pp. 64 and 65.
 1992 Genuine Accessories Catalog, p. 61.
 1993 Accessories Harley-Davidson, Inc. Catalog, pp. 15, 55, and 101.
 1994 Harley-Davidson Genuine Parts & Accessories, pp. 12, 52, 70 and 103.
 Harley-Davidson Accessories, 1989, Catalog, p. 47.

* cited by examiner

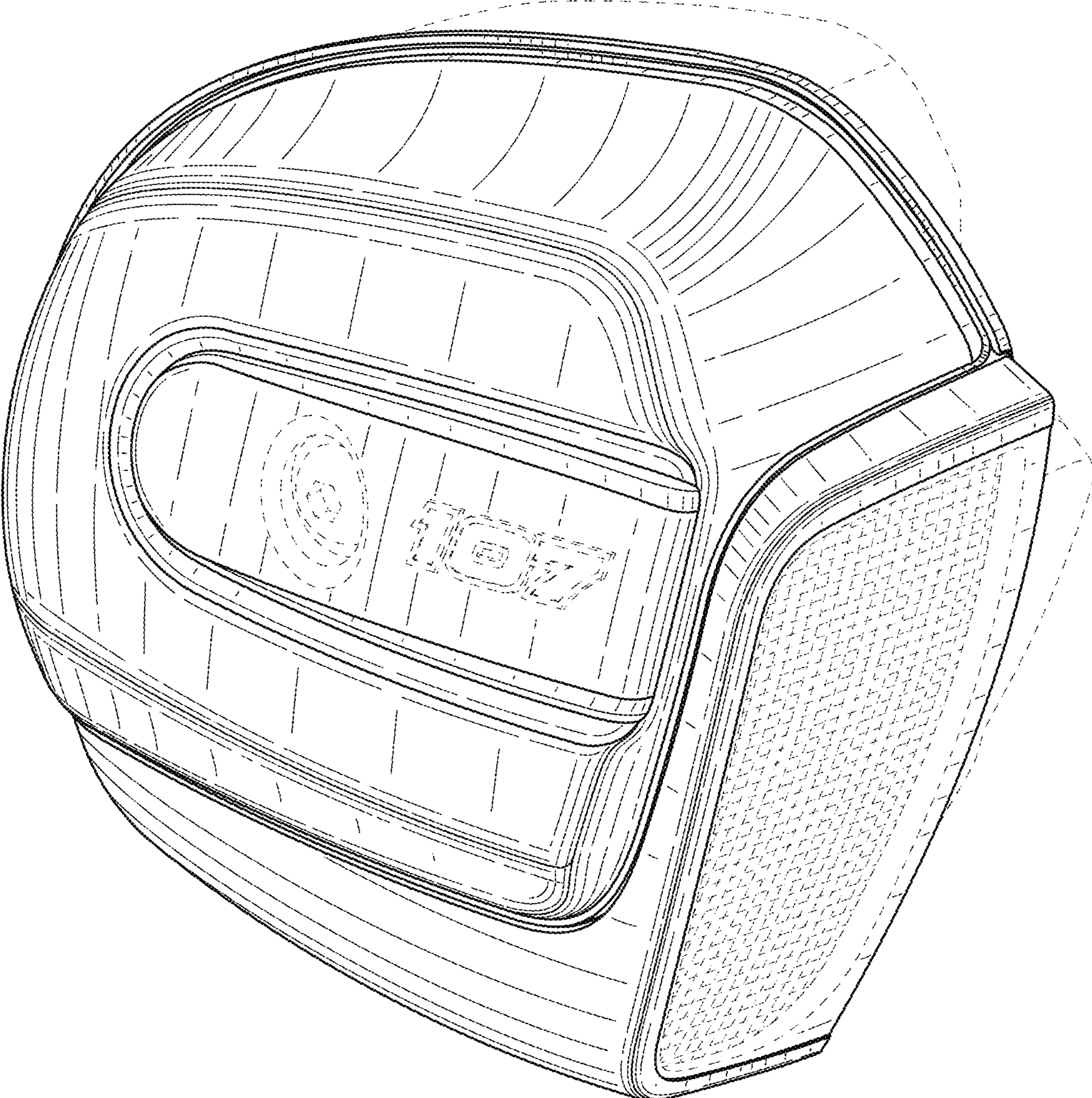


FIG. 1

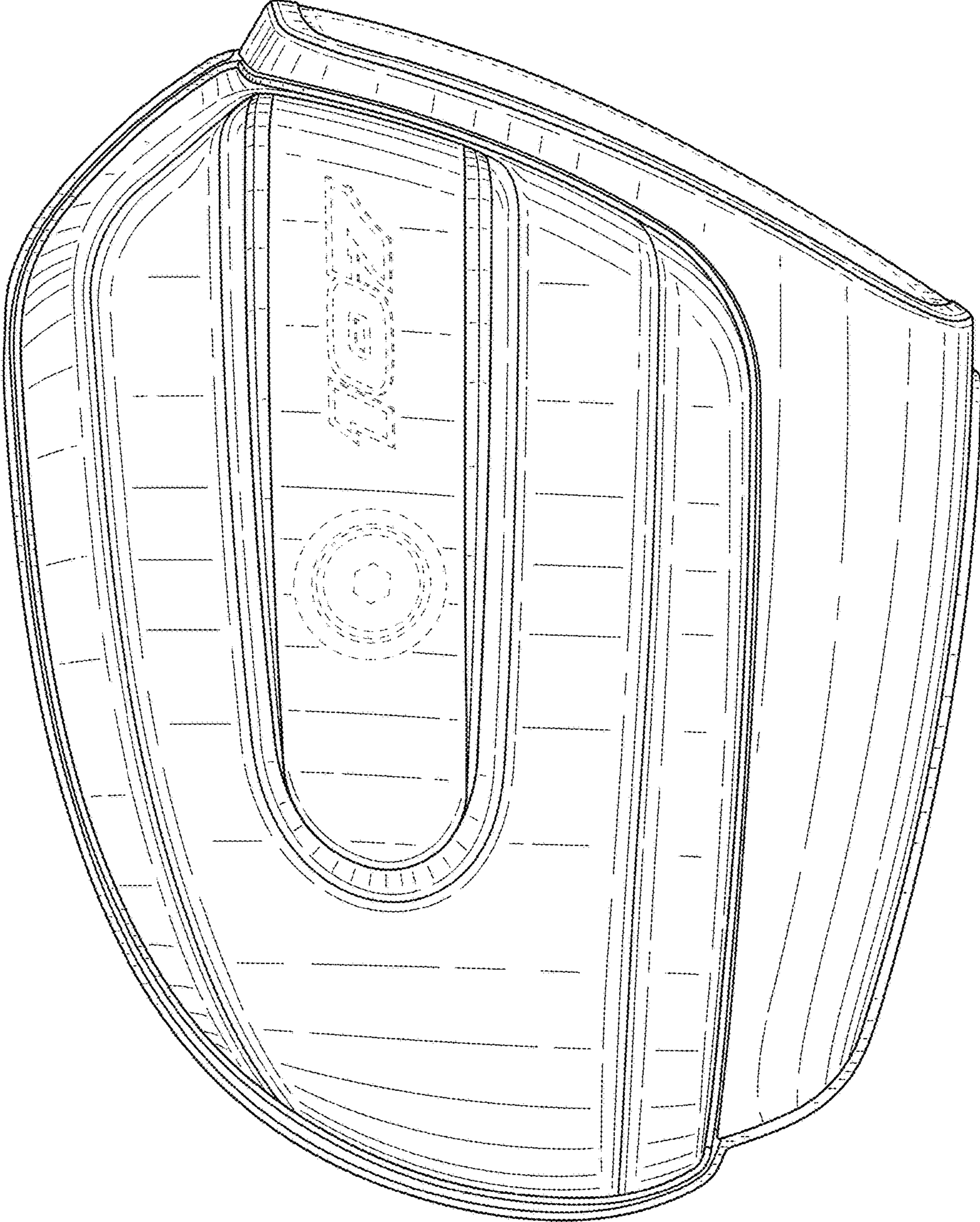


FIG. 2

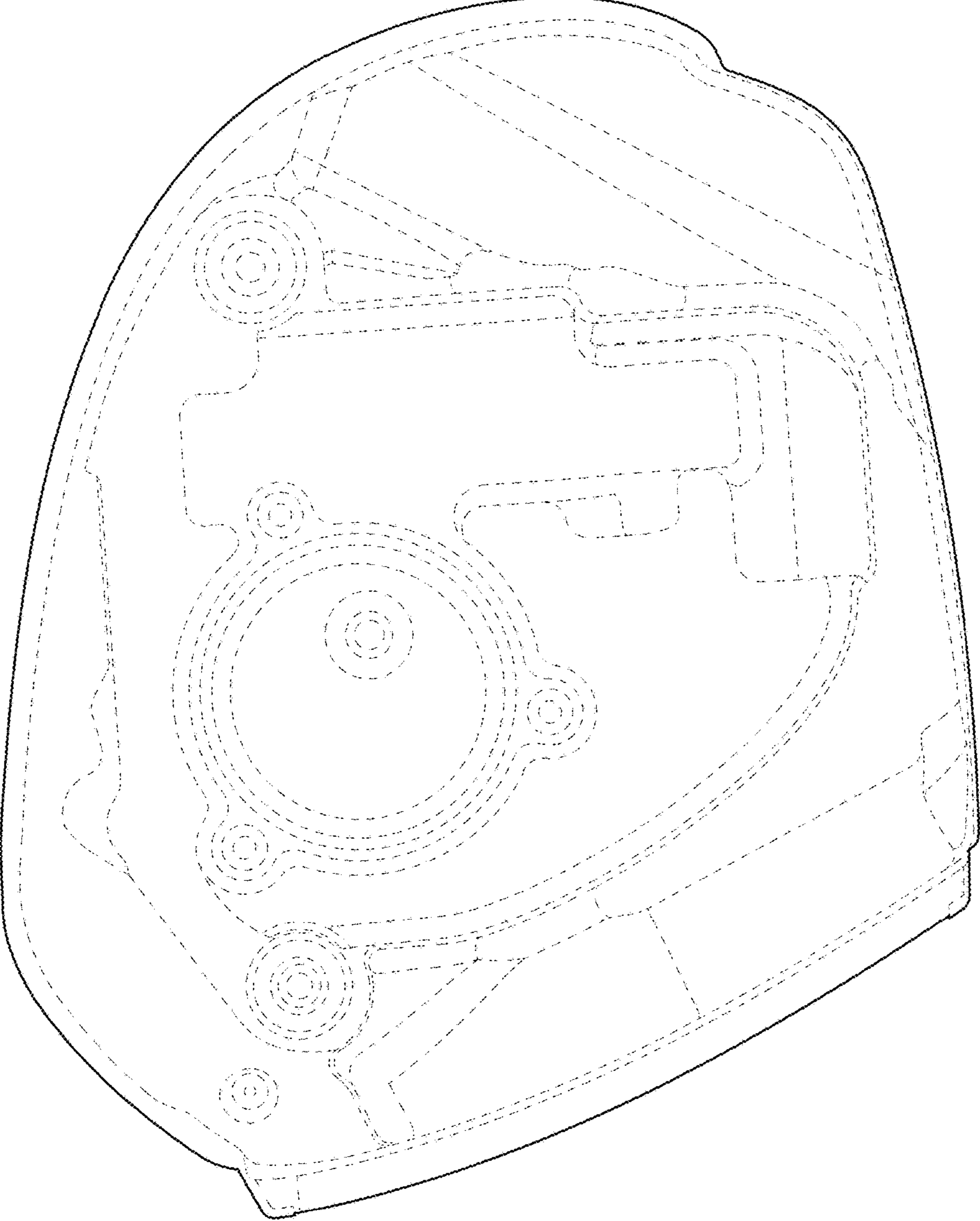


FIG. 3

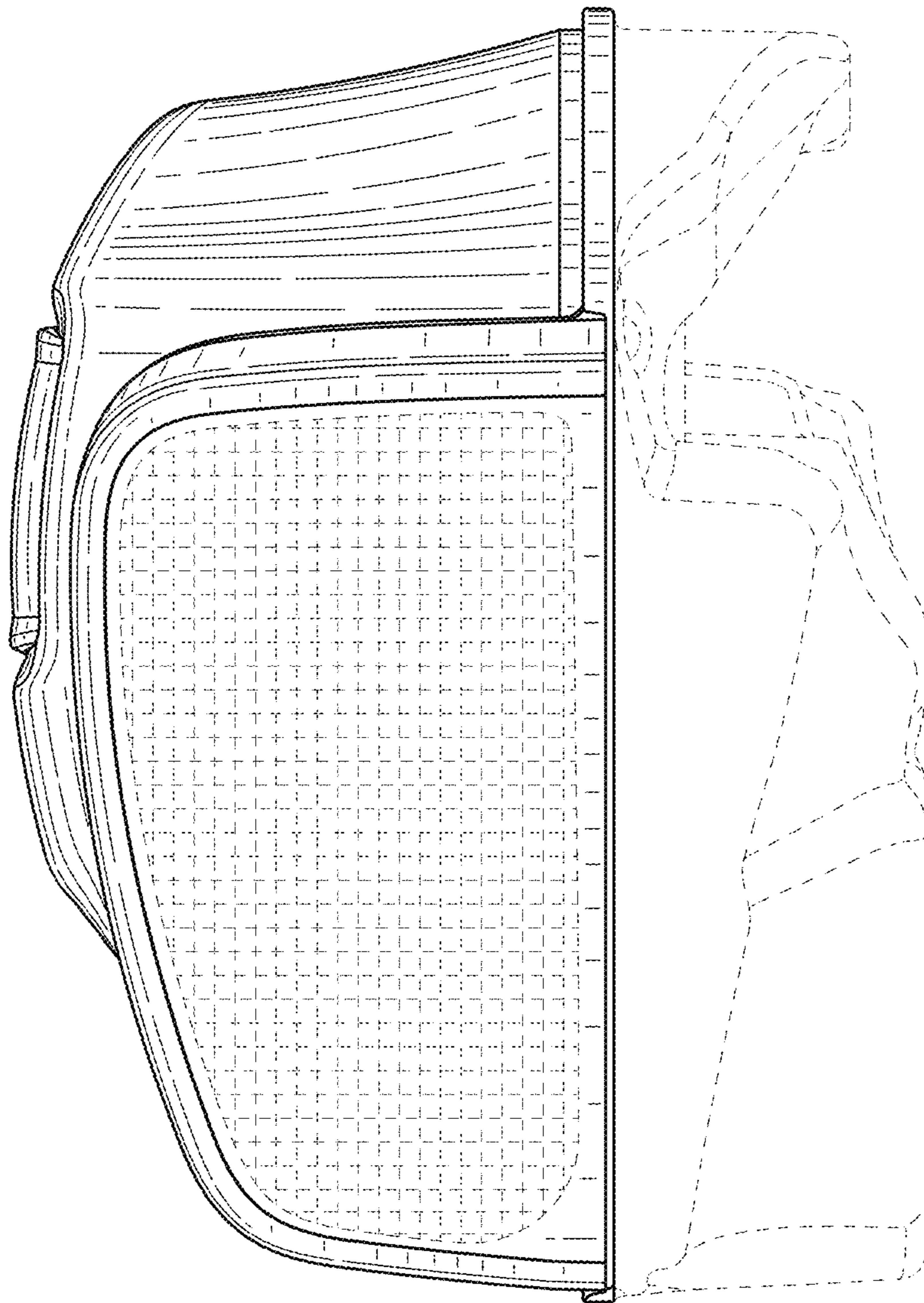


FIG. 4

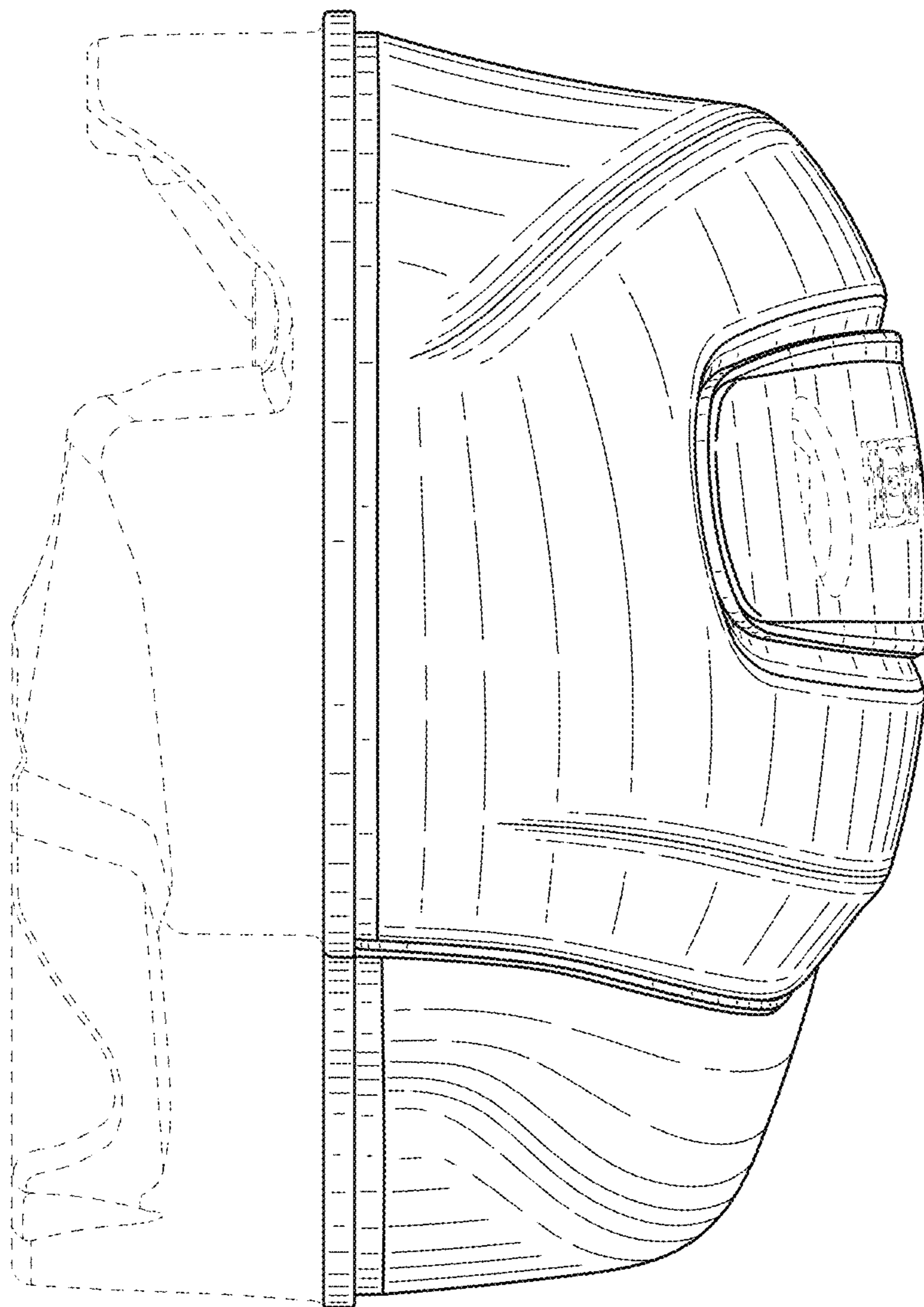


FIG. 5

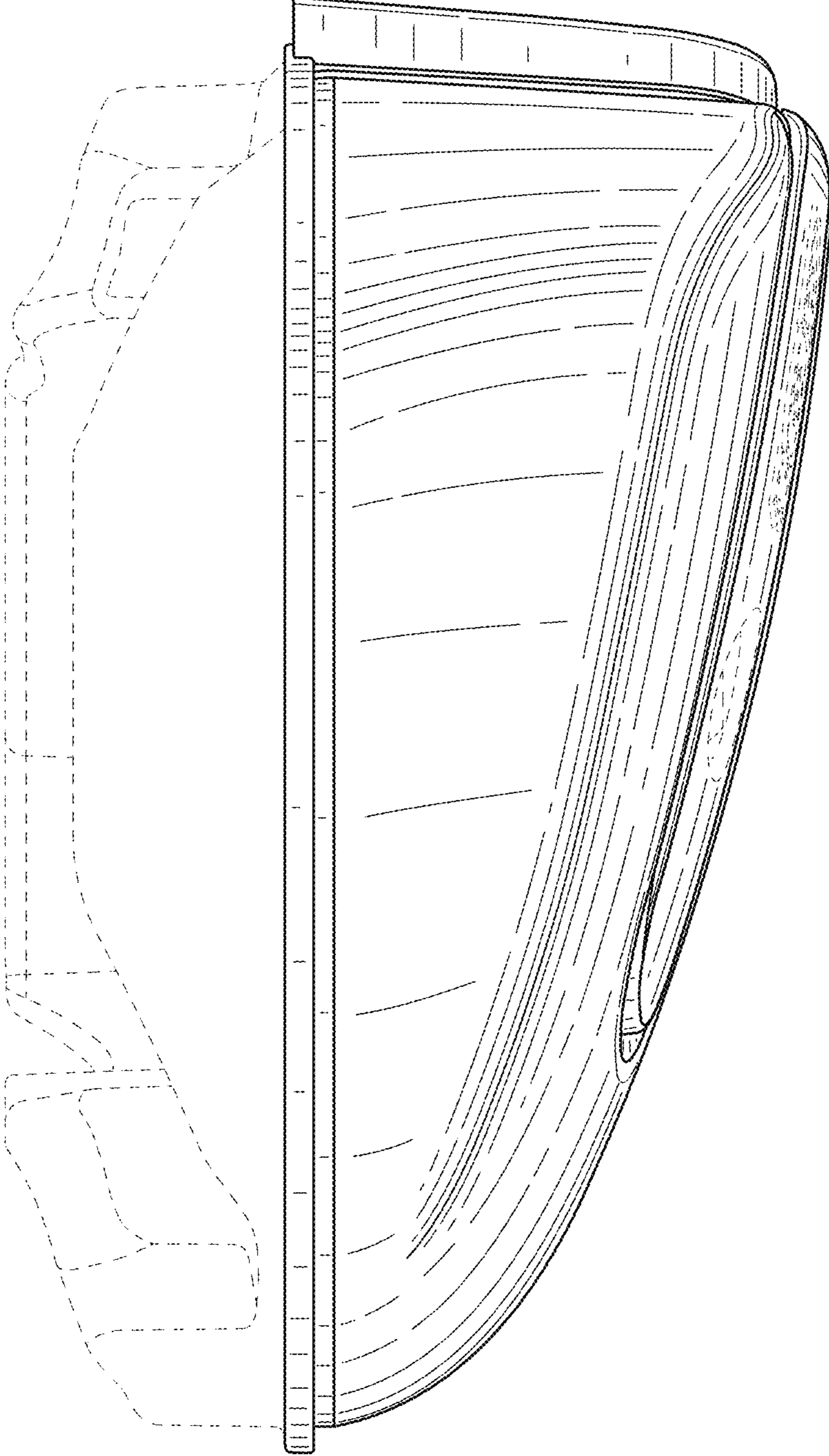


FIG. 6

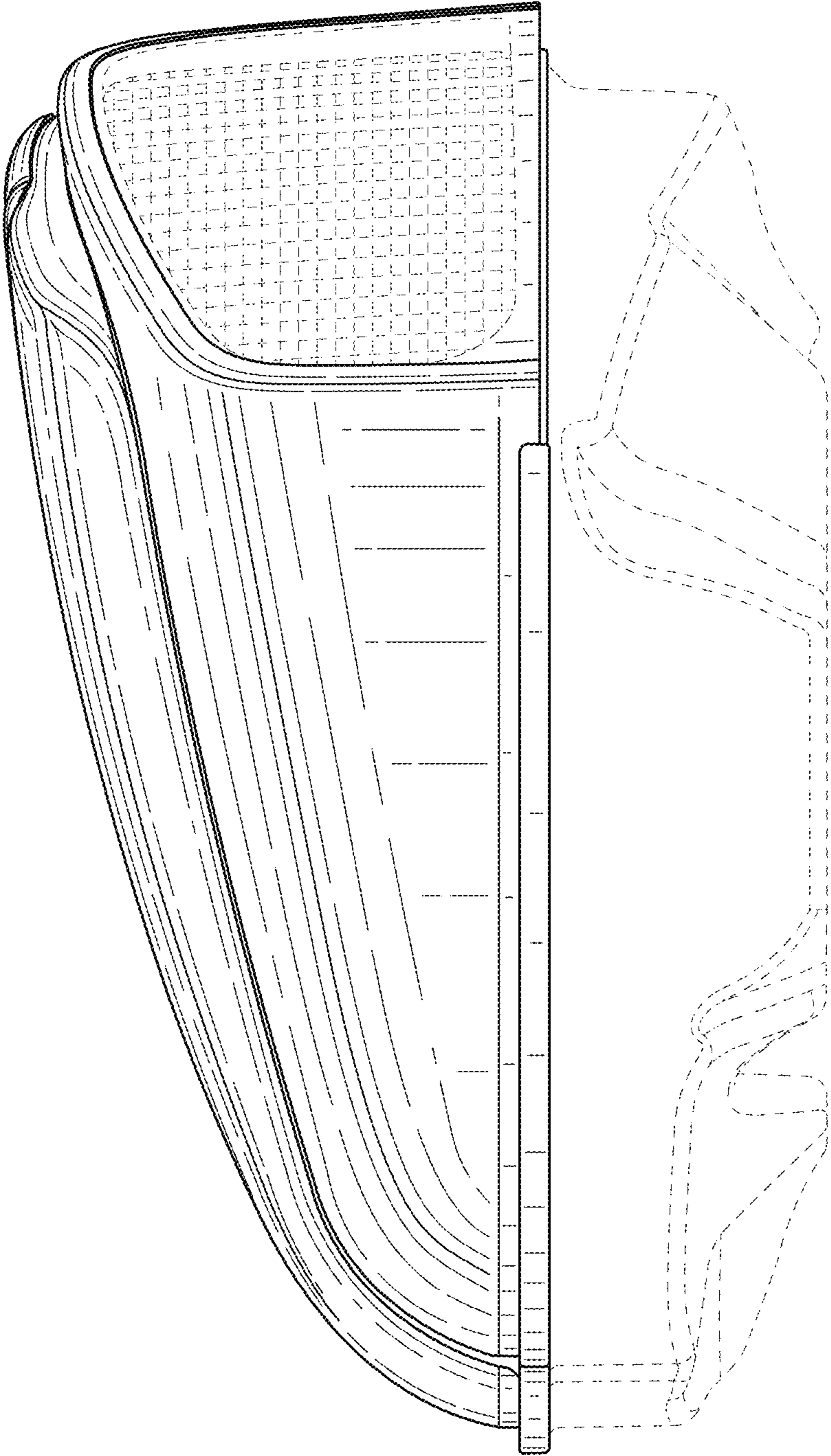


FIG. 7