



US00D800783S

(12) **United States Design Patent** (10) **Patent No.:** **US D800,783 S**
Savage et al. (45) **Date of Patent:** **** Oct. 24, 2017**

(54) **ENGINE ROCKER BOX** D514,035 S * 1/2006 Francis D12/126
D522,930 S * 6/2006 Stahel D12/126
(71) Applicant: **Harley-Davidson Motor Company** D524,701 S 7/2006 Mesanovic et al.
Group, LLC, Milwaukee, WI (US) 7,096,846 B1 * 8/2006 Dondlinger F01M 11/02
123/195 R
(72) Inventors: **Frank Savage, Trenton, WI (US);** 7,287,616 B2 * 10/2007 Lund F16H 57/0447
Chetan Shedjale, Wauwatosa, WI (US) 180/219
7,461,643 B2 * 12/2008 Reichardt F01M 13/0416
123/572
(73) Assignee: **Harley-Davidson Motor Company** D584,193 S * 1/2009 Massicotte D12/126
Group, LLC, Milwaukee, WI (US) 7,478,695 B2 * 1/2009 Leppanen F02N 15/006
180/219
(**) Term: **15 Years** D675,964 S * 2/2013 Mirabal D12/126
(Continued)

(21) Appl. No.: **29/575,048**

(22) Filed: **Aug. 22, 2016**

(51) **LOC (10) Cl.** **15-01**

(52) **U.S. Cl.**
USPC **D15/5; D12/126**

(58) **Field of Classification Search**
USPC D15/1-6; D12/110, 114, 126, 127
CPC . F02B 61/02; F02F 7/00; F02F 7/0036; F02F
7/0039; F02F 7/0058; F02F 7/0012; F02F
7/008; F02F 7/0073; F02F 2007/0075;
F02F 7/0046; B62J 17/00; B62J 23/00;
B62J 13/00; F16H 57/05; F02M 25/06;
F01M 13/0416; F01M 11/02; F01M
13/00

See application file for complete search history.

(56) **References Cited**

U.S. PATENT DOCUMENTS

D208,818 S 10/1967 Hodgson
D217,314 S 4/1970 Smith
D238,197 S 12/1975 Fernandez
D240,866 S 8/1976 Raby
D280,495 S 9/1985 Stahel
D280,990 S 10/1985 Davidson
D368,682 S 4/1996 Matthies
D408,828 S 4/1999 Golden et al.
D426,792 S * 6/2000 Reed D12/126
D465,498 S 11/2002 Geffert

OTHER PUBLICATIONS

Harley-Davidson 1993 and 1994 1340 Models Parts Catalog, p. 8.
(Continued)

Primary Examiner — T. Chase Nelson
Assistant Examiner — Ania Aman
(74) *Attorney, Agent, or Firm* — Michael Best &
Friedrich LLP

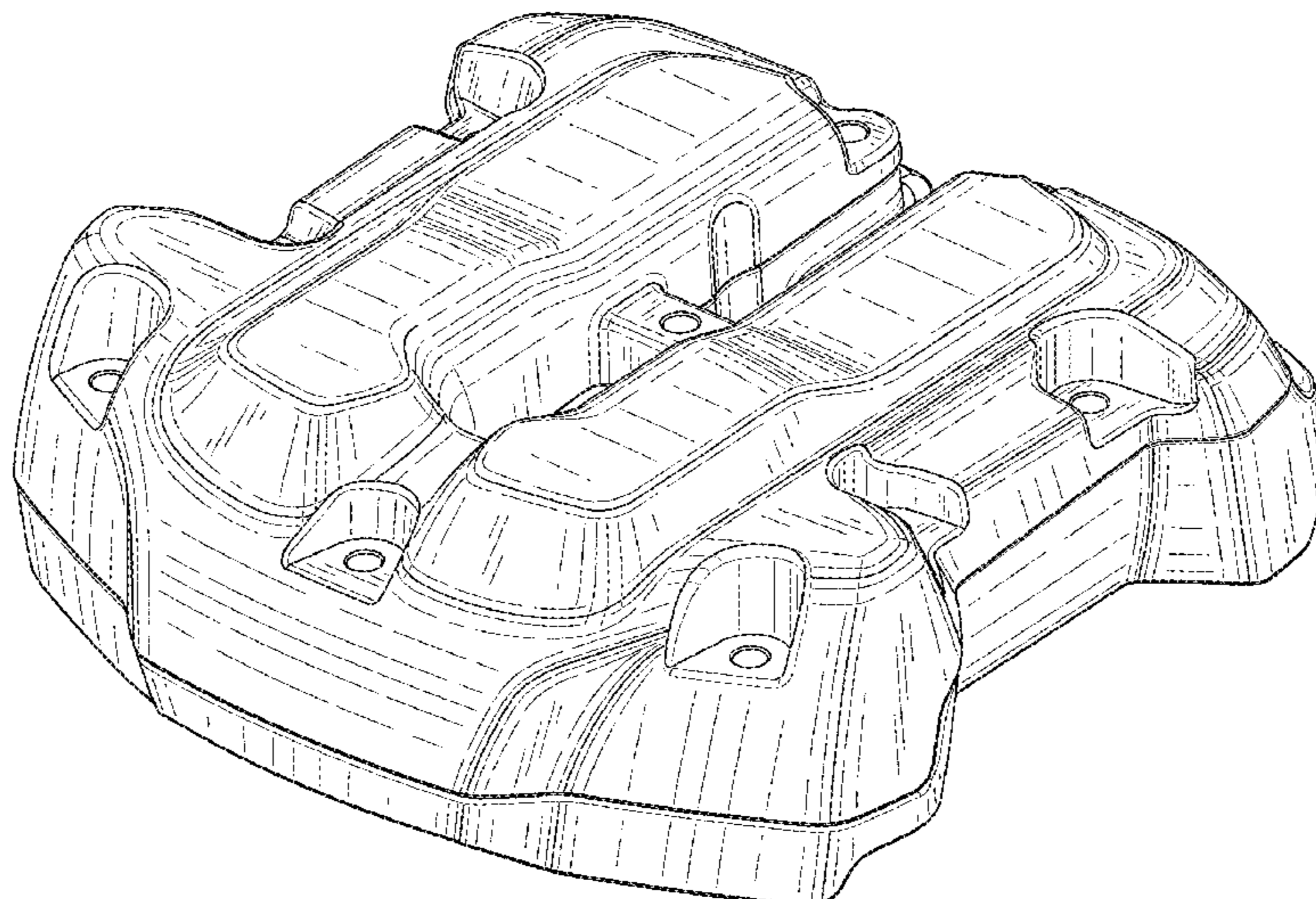
(57) **CLAIM**

We claim the ornamental design for an engine rocker box, as shown and described.

DESCRIPTION

FIG. 1 is a perspective view of an engine rocker box;
FIG. 2 is a front view thereof;
FIG. 3 is a rear view thereof;
FIG. 4 is a right view thereof;
FIG. 5 is a left view thereof;
FIG. 6 is a top view thereof; and,
FIG. 7 is a bottom view thereof.
The broken lines shown in FIGS. 3 and 7 are for the purpose of illustrating portions of the article that form no part of the claimed design.

1 Claim, 7 Drawing Sheets



(56)

References Cited

U.S. PATENT DOCUMENTS

2005/0252471 A1* 11/2005 Hanold F01M 9/10
123/90.38
2006/0000458 A1* 1/2006 Dees F02M 35/10222
123/572
2008/0083398 A1* 4/2008 Reichardt F01M 13/0416
123/572
2012/0073537 A1* 3/2012 Oltmans F01L 1/02
123/195 R
2015/0345451 A1* 12/2015 Garrison F02M 61/14
123/294

OTHER PUBLICATIONS

1994 Harley-Davidson Custom Chrome Catalog, p. 362.
1996 Harley-Davidson Genuine Motor Accessories and Genuine
motor Parts Catalog, pp. 26 and 162.

* cited by examiner

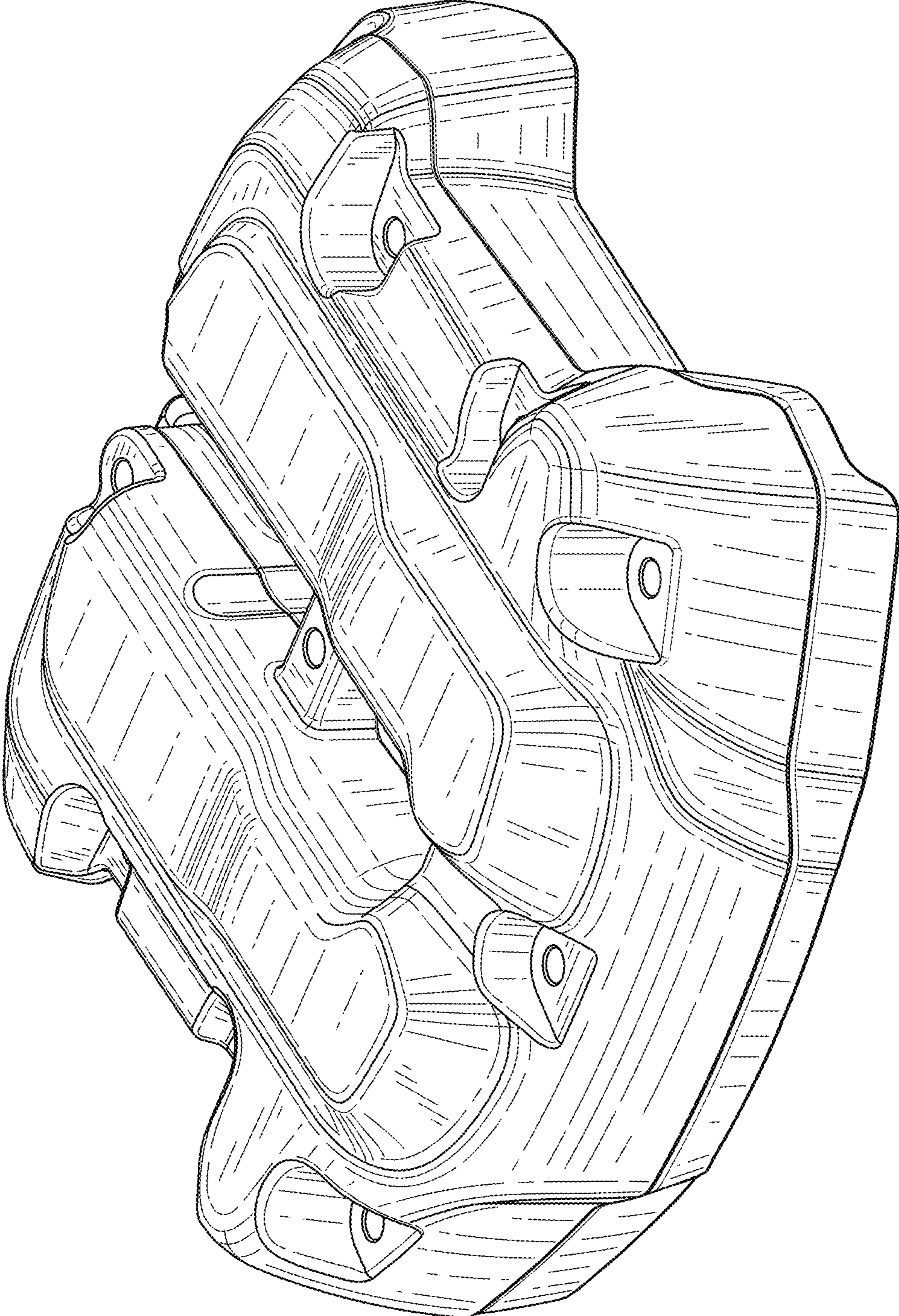


FIG. 1

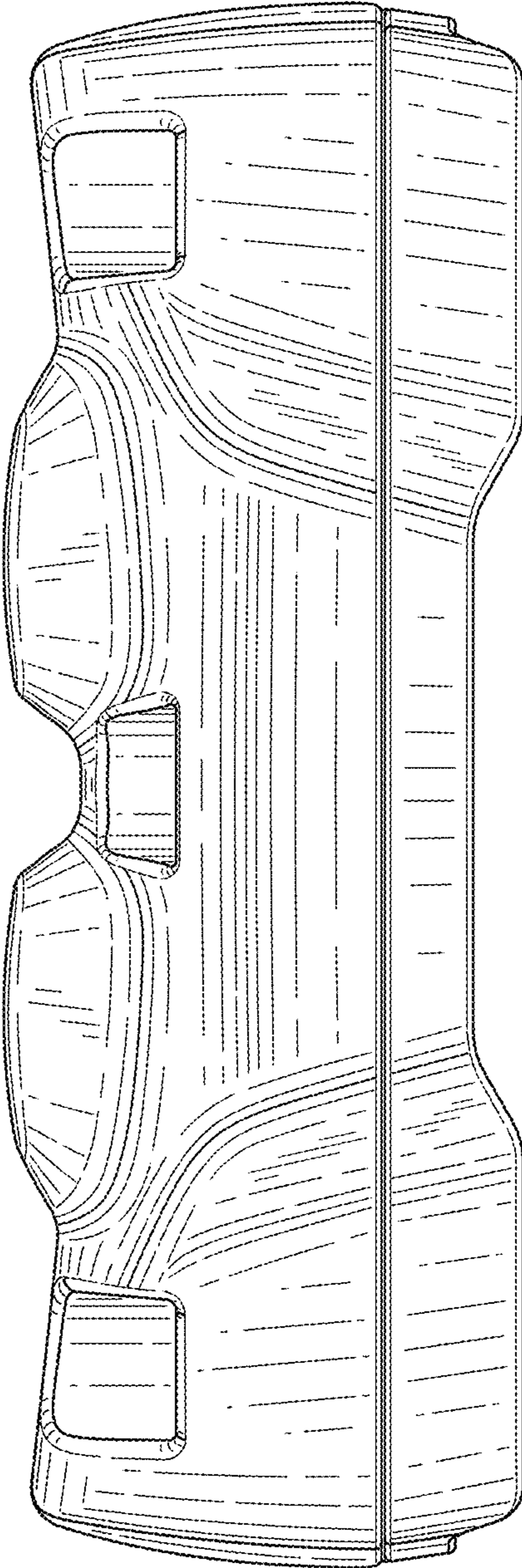


FIG. 2

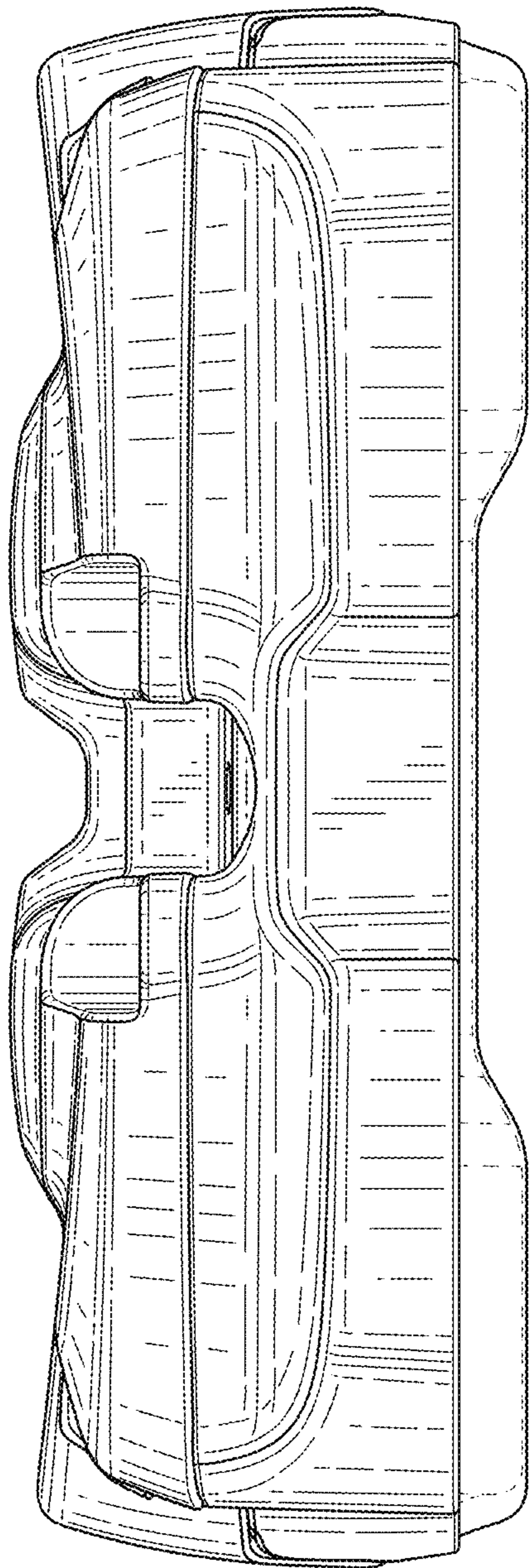


FIG. 3

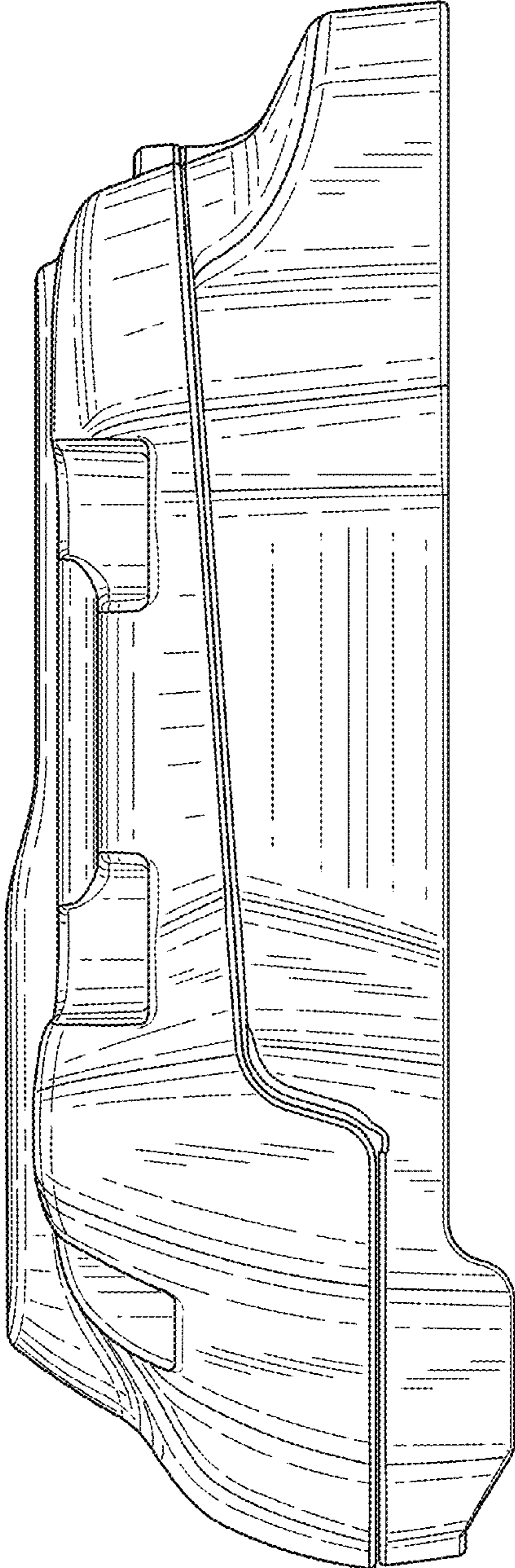


FIG. 4

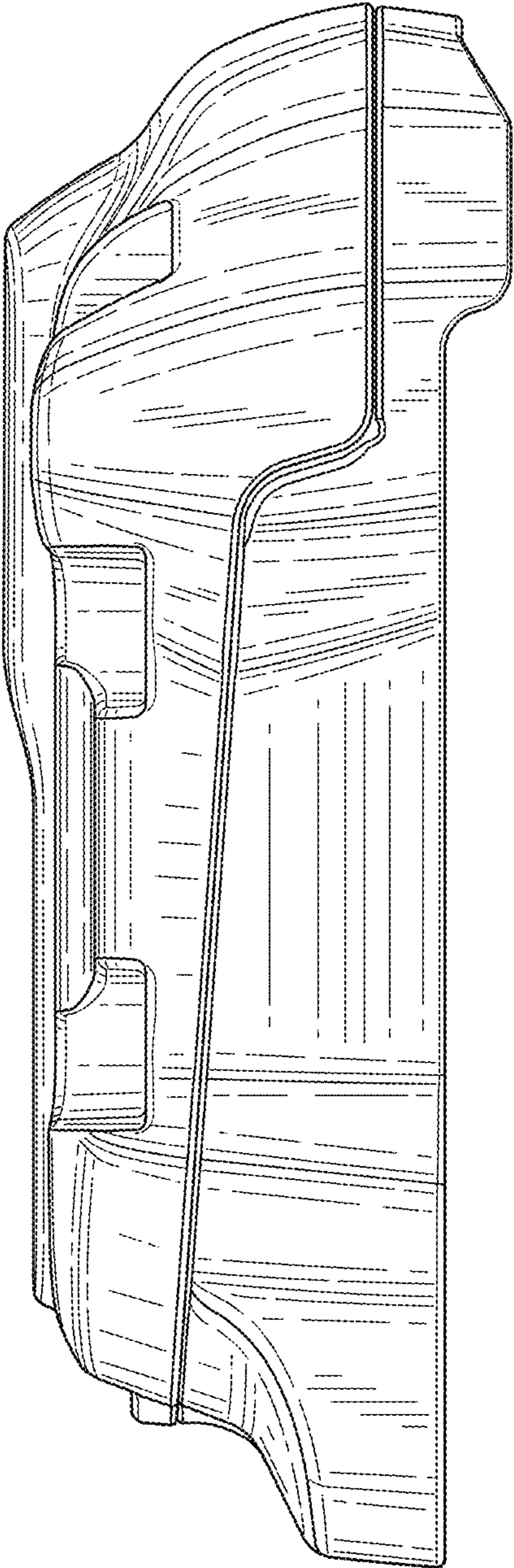


FIG. 5

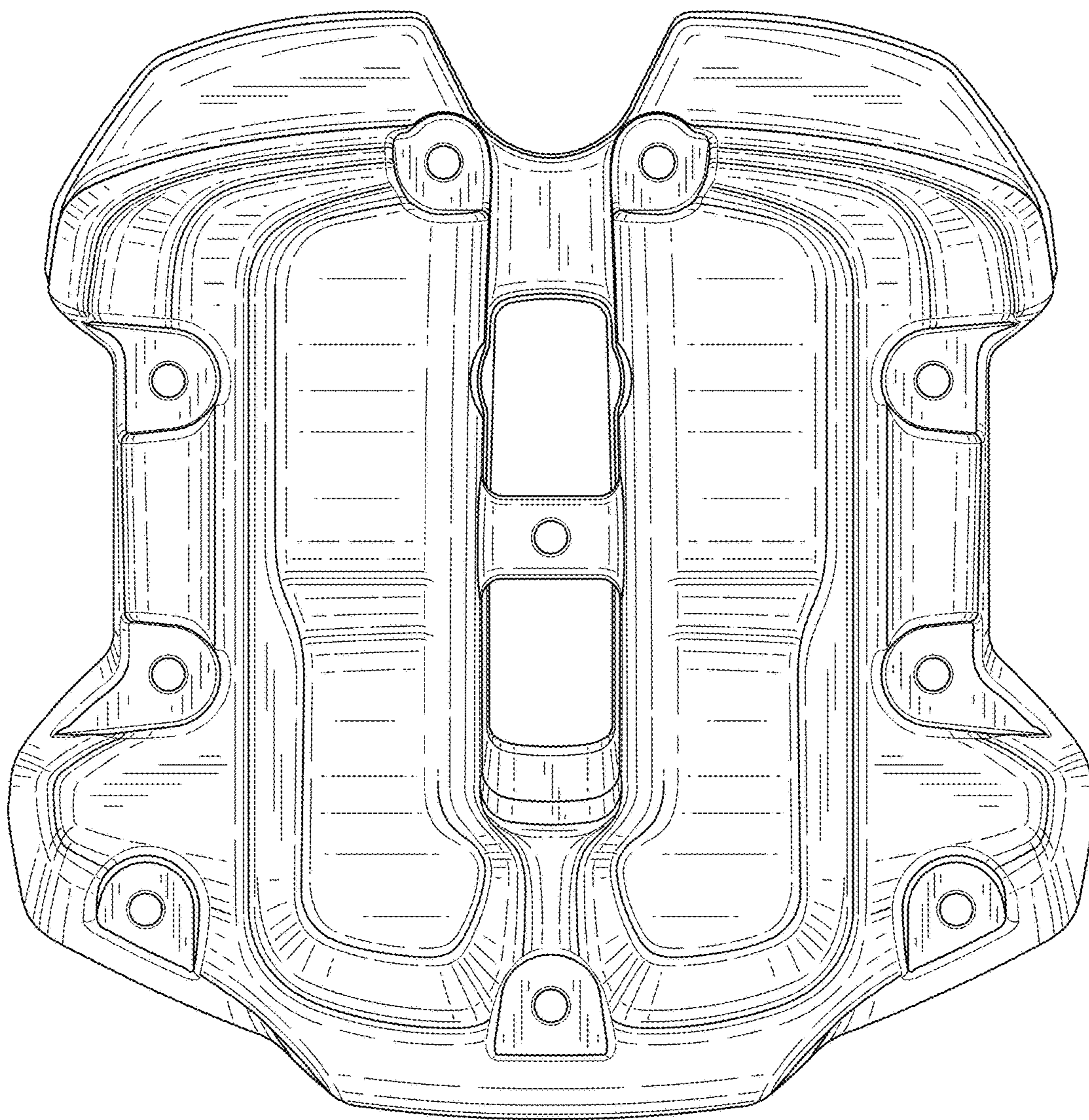


FIG. 6

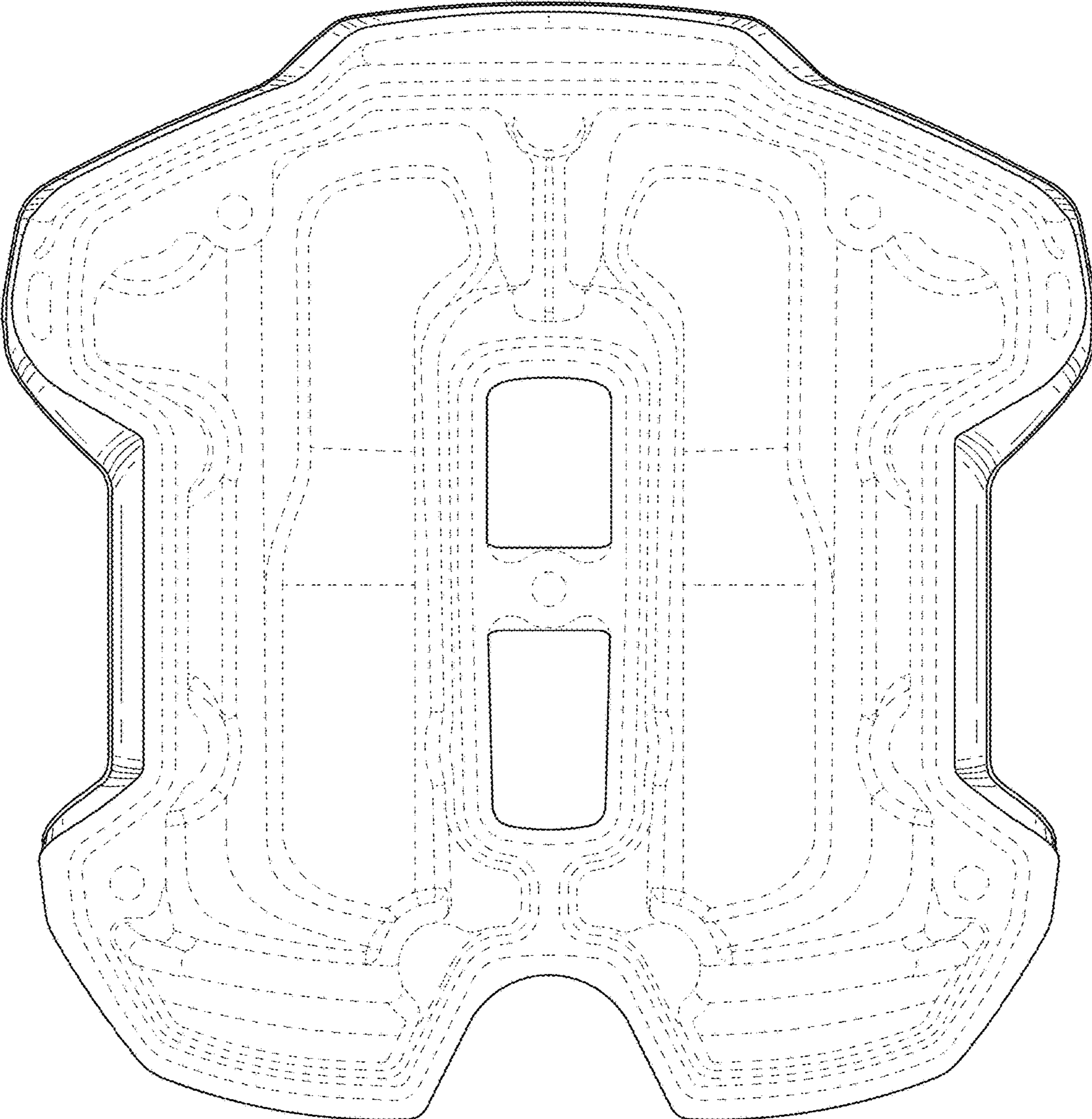


FIG. 7