



US00D800782S

(12) **United States Design Patent**
Bever et al.

(10) **Patent No.:** **US D800,782 S**
(45) **Date of Patent:** **** Oct. 24, 2017**

- (54) **DRIVE PLATE**
- (71) Applicant: **Eaton Corporation**, Cleveland, OH (US)
- (72) Inventors: **Burton Robert Bever**, Edgerton, OH (US); **Alexander William Jessee**, Fort Wayne, IN (US)
- (73) Assignee: **Eaton Corporation**, Cleveland, OH (US)
- (**) Term: **15 Years**
- (21) Appl. No.: **29/544,997**
- (22) Filed: **Nov. 9, 2015**
- (51) **LOC (10) Cl.** **15-01**
- (52) **U.S. Cl.**
USPC **D15/5**
- (58) **Field of Classification Search**
USPC D15/5, 9, 7, 148, 149; D12/180
CPC F16H 45/00; F16H 45/02; F16F 15/131;
F16D 43/00; F16D 43/08
See application file for complete search history.

- 2005/0199461 A1* 9/2005 Zuehl F16H 45/02
192/3.29
- 2006/0201765 A1* 9/2006 Arhab F16H 45/02
192/3.29
- 2006/0243556 A1* 11/2006 Houtman F16D 27/118
192/84.8
- 2008/0173509 A1* 7/2008 Parks F16H 45/02
192/3.28
- 2008/0277225 A1* 11/2008 Lindemann F16H 45/02
192/3.28
- 2009/0032364 A1* 2/2009 MacDonald F16F 15/123
192/212
- 2015/0362041 A1* 12/2015 Lee F16F 15/1343
192/3.29
- 2016/0146324 A1* 5/2016 Lindemann F16H 45/02
192/3.28
- 2016/0341293 A1* 11/2016 Okaji F16H 45/02

* cited by examiner

Primary Examiner — T. Chase Nelson
Assistant Examiner — Ania Aman
(74) *Attorney, Agent, or Firm* — Mei & Mark LLP

(57) **CLAIM**

The ornamental design for a drive plate, as shown and described.

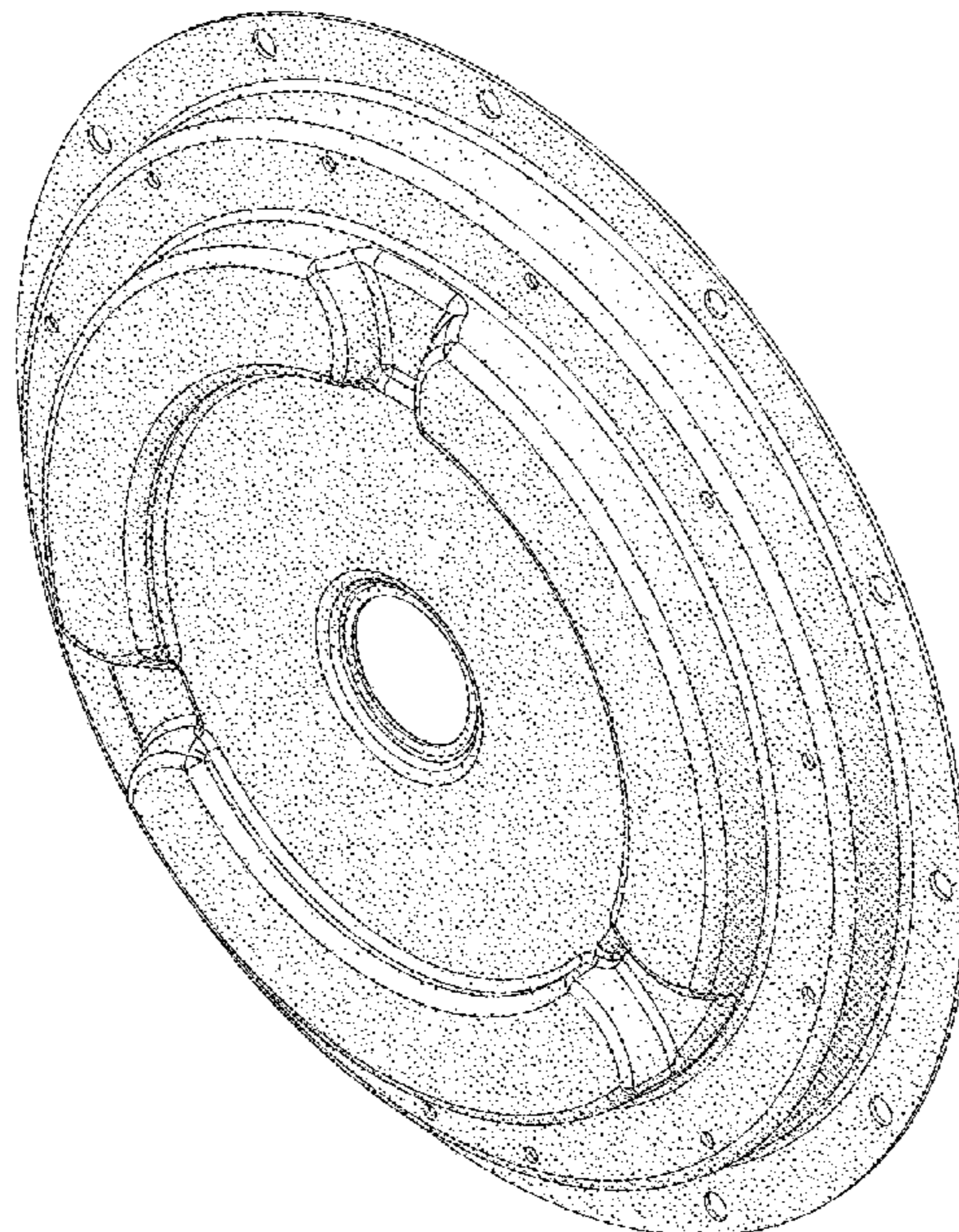
DESCRIPTION

FIG. 1 is a first perspective view of the drive plate.
FIG. 2 is a second perspective view of the drive plate.
FIG. 3 is a front view of the drive plate.
FIG. 4 is a rear view of the drive plate.
FIG. 5 is a top view of the drive plate.
FIG. 6 is a bottom view of the drive plate.
FIG. 7 is a left view of the drive plate; and,
FIG. 8 is a right view of the drive plate.

1 Claim, 4 Drawing Sheets

(56) **References Cited**
U.S. PATENT DOCUMENTS

| | | | | |
|--------------|------|---------|------------------|-------------------------|
| 4,360,352 | A | 11/1982 | Lamarche | |
| 5,160,007 | A | 11/1992 | Reik et al. | |
| 5,273,372 | A | 12/1993 | Friedmann et al. | |
| D373,369 | S * | 9/1996 | Matsui | D15/148 |
| 6,474,433 | B1 * | 11/2002 | Yoshioka | B60K 17/3505 180/248 |
| 6,854,580 | B2 | 2/2005 | Braford, Jr. | |
| 2002/0066631 | A1 * | 6/2002 | Kietlinski | F16H 45/02 192/3.29 |



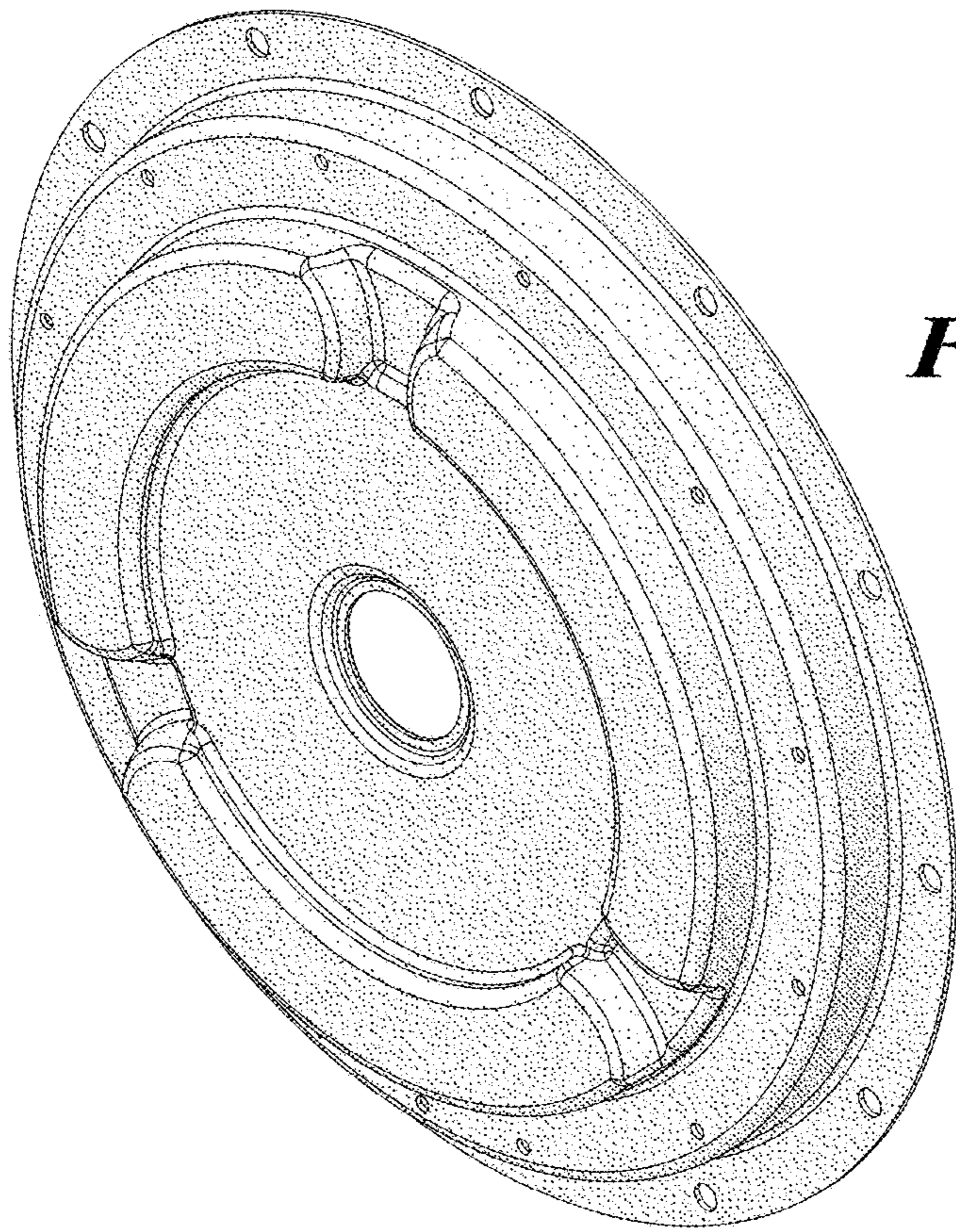


FIG. 1

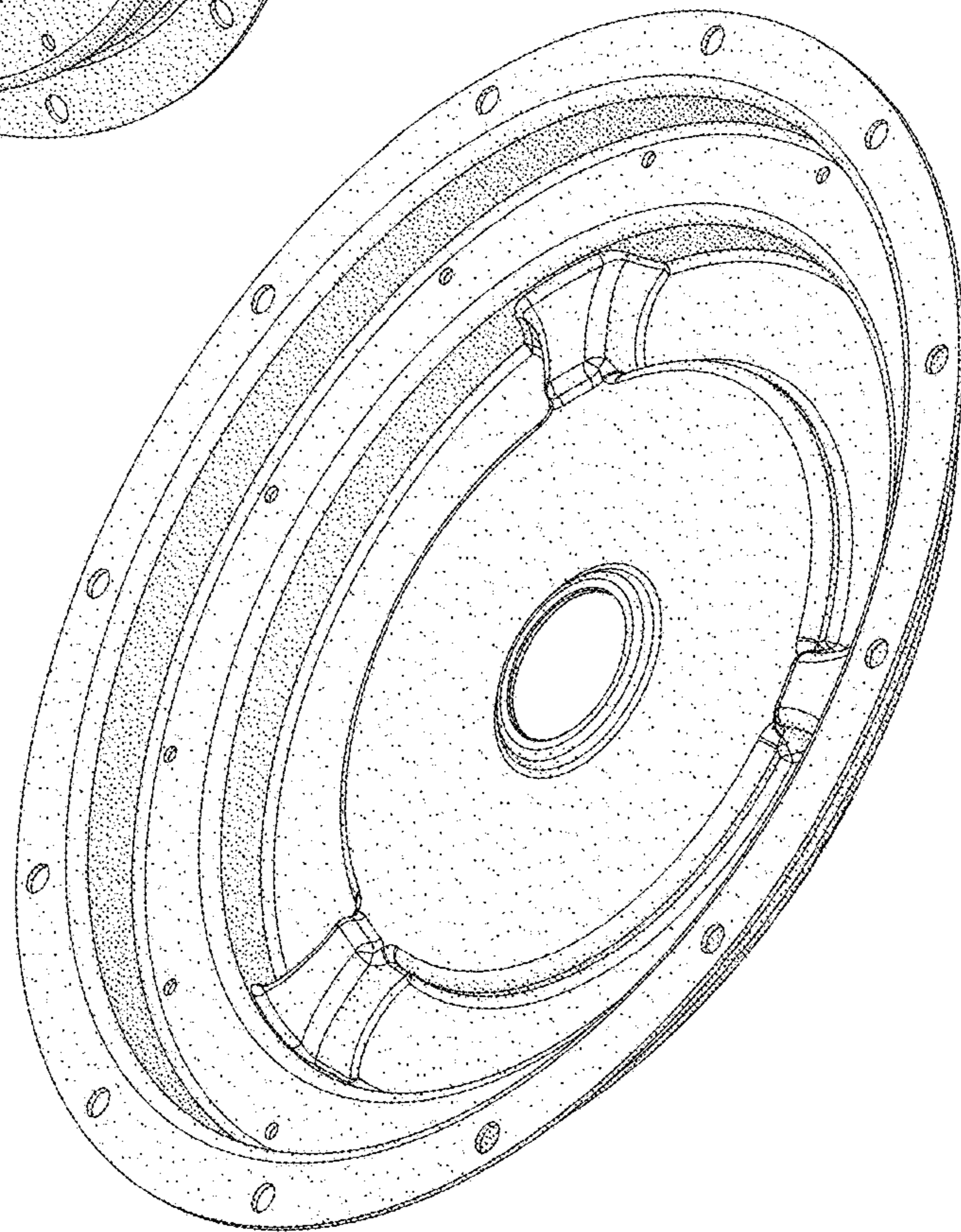


FIG. 2

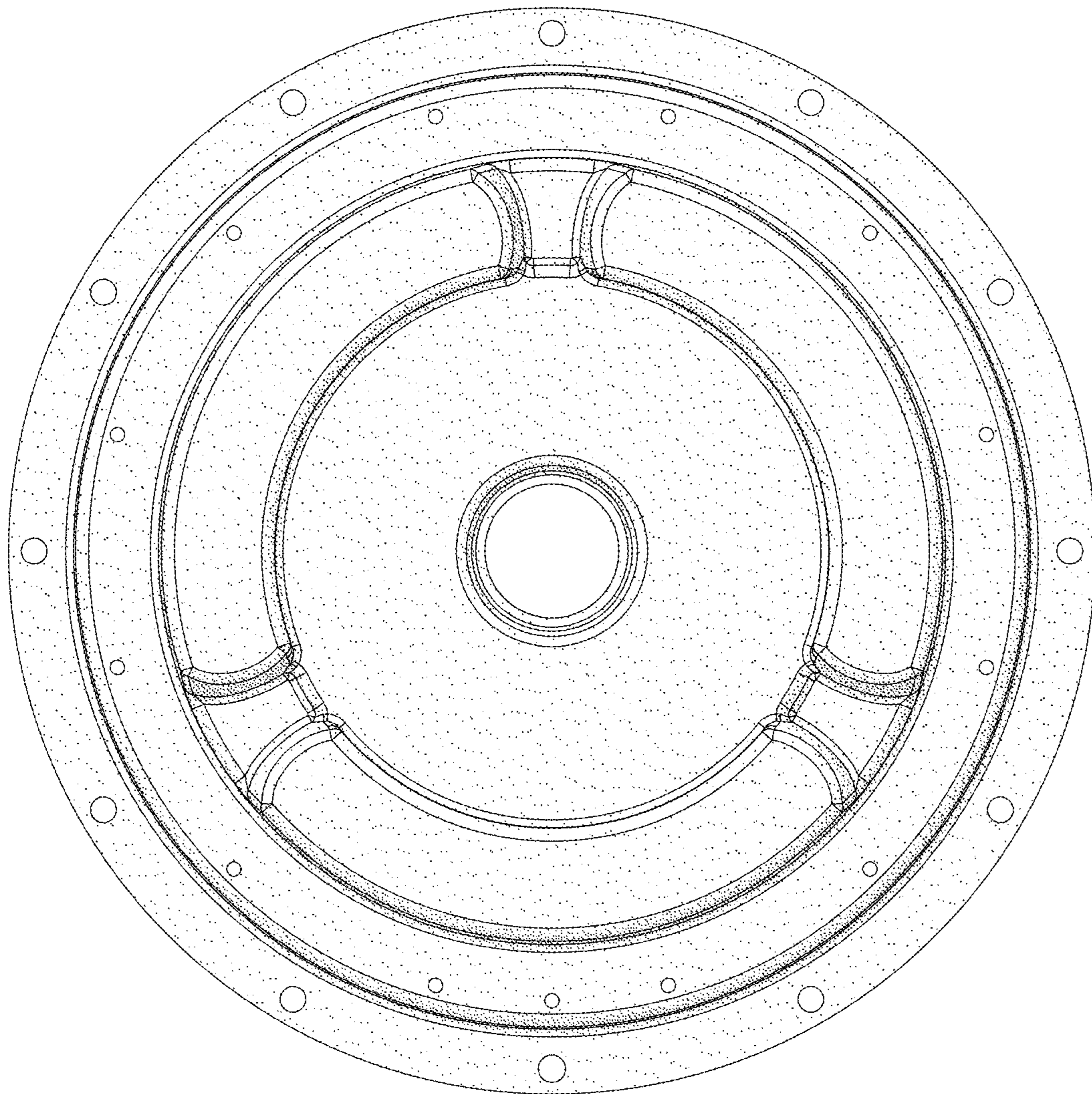


FIG. 3

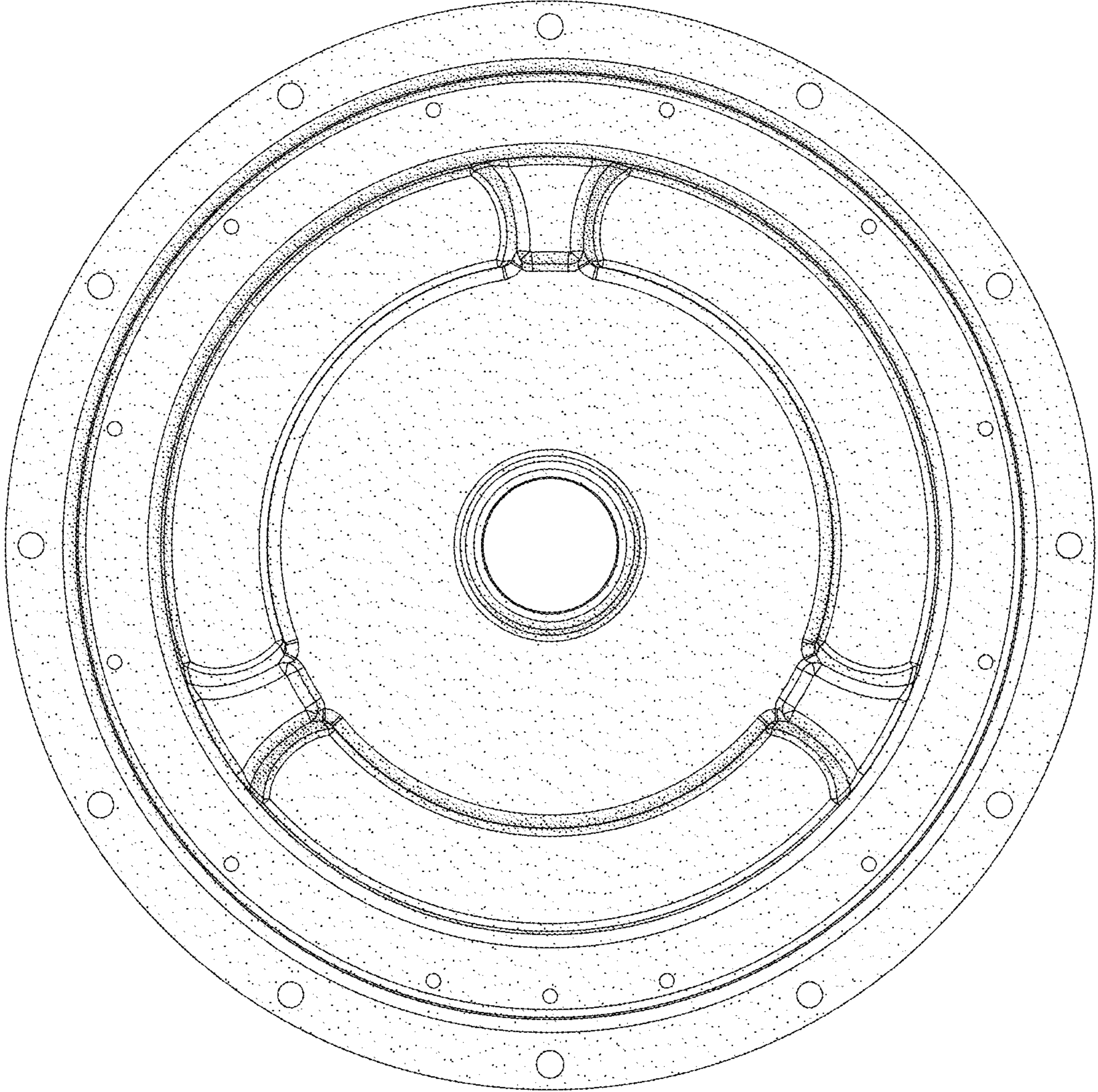


FIG.4

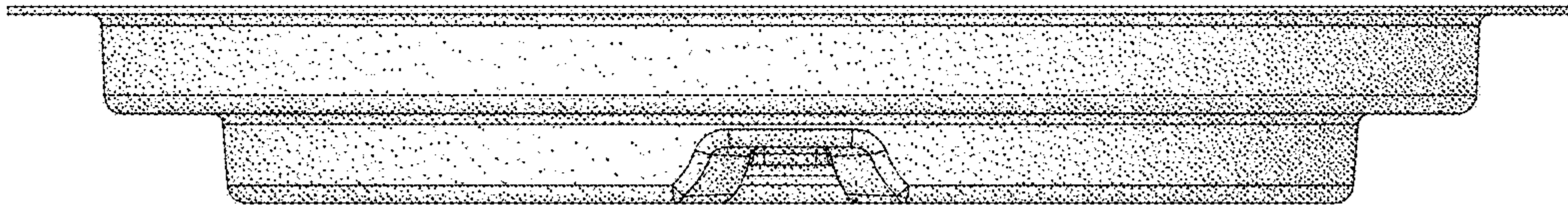


FIG. 5

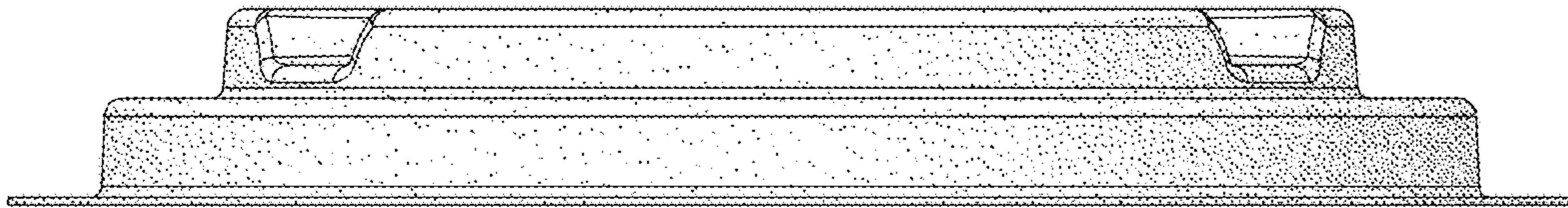


FIG. 6

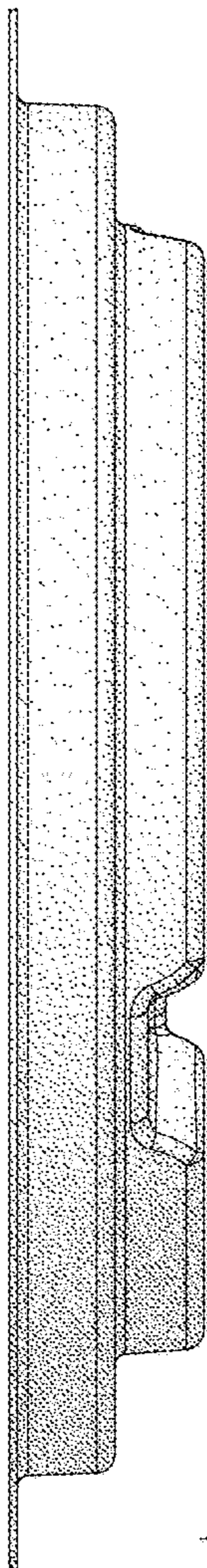


FIG. 7

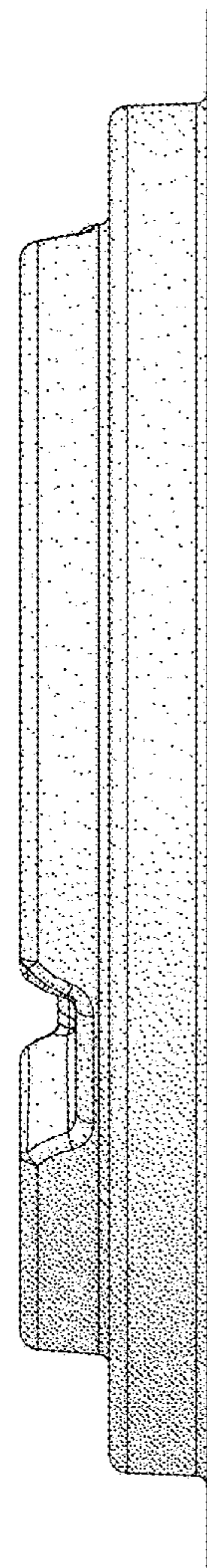


FIG. 8