



US00D800781S

(12) **United States Design Patent** (10) **Patent No.:** **US D800,781 S**
Collins (45) **Date of Patent:** **** Oct. 24, 2017**

- (54) **ENGINE PRIMARY COVER** 6,941,920 B1 9/2005 Thurm et al.
- (71) Applicant: **Harley-Davidson Motor Company Group, LLC, Milwaukee, WI (US)** D554,675 S * 11/2007 Baker, Jr. D15/148
- (72) Inventor: **Stephen R. Collins, Oconomowoc, WI (US)** D570,746 S 6/2008 Arndt et al.
- (73) Assignee: **Harley-Davidson Motor Company Group, LLC, Milwaukee, WI (US)** 7,549,493 B1 * 6/2009 Jones F02B 33/00
123/559.1

- D683,271 S * 5/2013 Song D12/110
- D760,298 S * 6/2016 Hsu D15/5
- 2004/0118240 A1 6/2004 Young
- 2007/0000469 A1 * 1/2007 Liang F02B 61/02
123/195 R
- 2007/0000470 A1 * 1/2007 Lamb F01M 1/02
123/196 R

(**) Term: **15 Years**

(Continued)

(21) Appl. No.: **29/575,146**

OTHER PUBLICATIONS

(22) Filed: **Aug. 22, 2016**

Custom Chrome, Chrome Specialties, catalog, (2003) Chrome Primary Cover product No. 250760 on p. 12.05.

(51) **LOC (10) Cl.** **15-01**

(Continued)

(52) **U.S. Cl.**

USPC **D15/4**

(58) **Field of Classification Search**

USPC D15/1-6; D12/110, 114, 126, 127
CPC . F02B 61/02; F02F 7/00; F02F 7/0036; F02F 7/0039; F02F 7/0058; F02F 7/0012; F02F 7/008; F02F 7/0073; B62J 17/00; B62J 23/00; B62J 13/00; F16H 57/05

See application file for complete search history.

Primary Examiner — T. Chase Nelson

Assistant Examiner — Ania Aman

(74) *Attorney, Agent, or Firm* — Michael Best & Friedrich LLP

(57)

CLAIM

I claim the ornamental design for an engine primary cover, as shown and described.

(56) **References Cited**

DESCRIPTION

U.S. PATENT DOCUMENTS

- D229,872 S 1/1974 Ziegler
- D259,872 S 7/1981 Ramsey
- D273,947 S 5/1984 Johnson
- D294,264 S * 2/1988 Davidson D15/3
- 5,263,463 A * 11/1993 Perry F02B 33/38
123/559.1
- 6,173,983 B1 * 1/2001 Moore B62J 25/00
280/291
- 6,224,081 B1 5/2001 Wayman et al.
- 6,267,700 B1 7/2001 Takayama
- 6,338,688 B1 1/2002 Minami et al.
- 6,871,628 B1 * 3/2005 Tauer F01M 5/002
123/195 C

FIG. 1 is a perspective view of an engine primary cover;

FIG. 2 is a front view thereof;

FIG. 3 is a rear view thereof;

FIG. 4 is a right side view thereof;

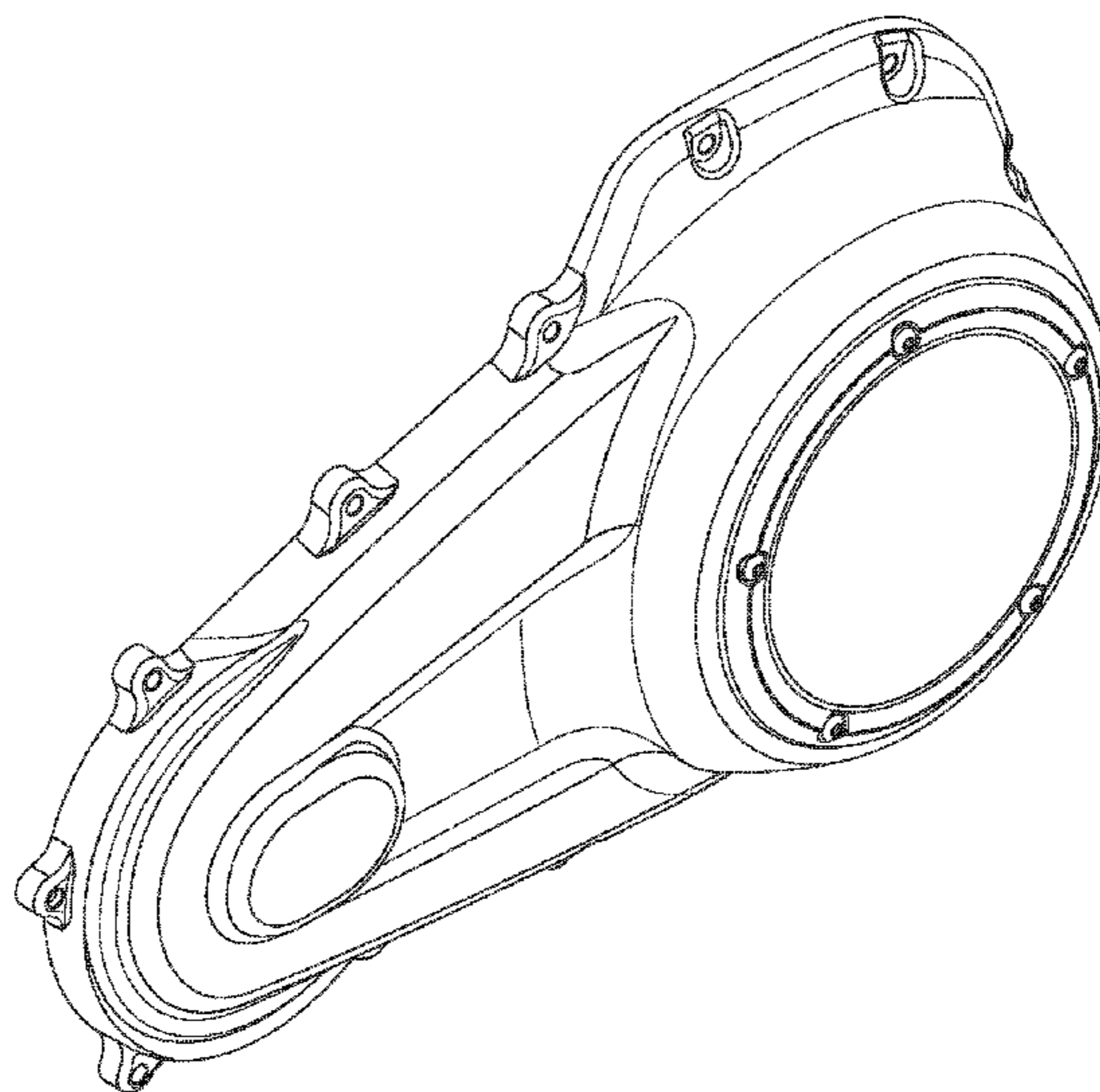
FIG. 5 is a left side view thereof;

FIG. 6 is a top view thereof; and,

FIG. 7 is a bottom view thereof.

The broken lines shown in FIG. 3 are for the purpose of illustrating portions of the article that form no part of the claimed design.

1 Claim, 5 Drawing Sheets



(56)

References Cited

U.S. PATENT DOCUMENTS

2007/0017466 A1* 1/2007 Leppanen F02N 15/022
123/179.25
2008/0236346 A1* 10/2008 Klett B25B 27/0035
81/488
2009/0005181 A1* 1/2009 Monis F16D 7/044
464/39
2010/0193275 A1* 8/2010 Song B62K 11/04
180/219
2012/0240905 A1* 9/2012 Kondo B62J 37/00
123/519
2013/0180792 A1* 7/2013 Toftner A62B 18/006
180/219
2014/0034404 A1* 2/2014 Schmidt F16F 15/126
180/230

OTHER PUBLICATIONS

J&P Cycles Keeping the World on 2 Wheels, catalog (2002) Big
Twin Outer Primary Cover product No. 43-0209 on p. 451.
Drag Specialties (2002) FatBook, Chrome Billet Primary Cover
product No. DS-375669 on p. 335.
Harley-Davidson (2003) Genuine Motor Accessories & Genuine
Motor Parts Spring Supplement, chrome primary cover at the top of
p. 83.

* cited by examiner

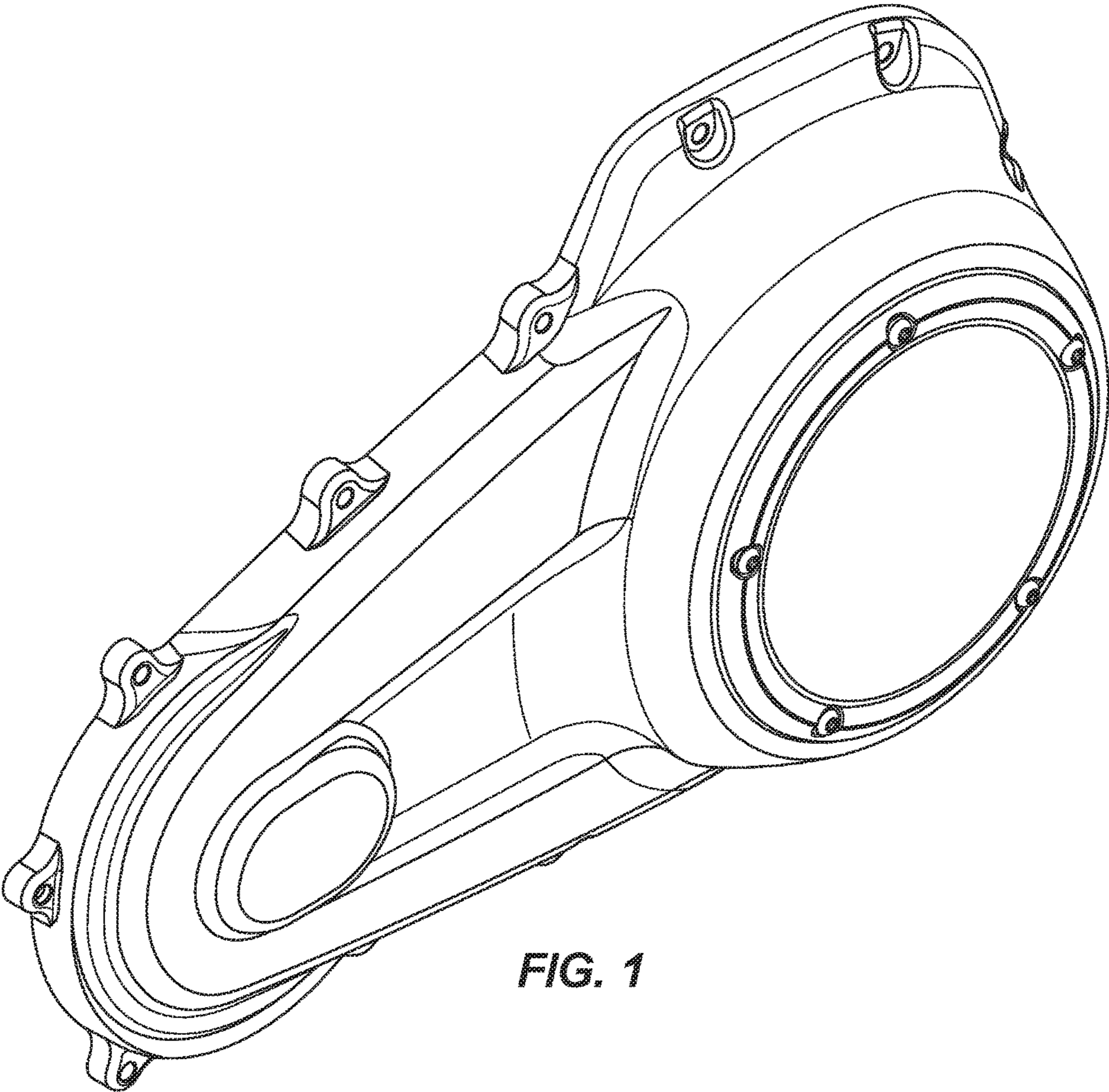


FIG. 1

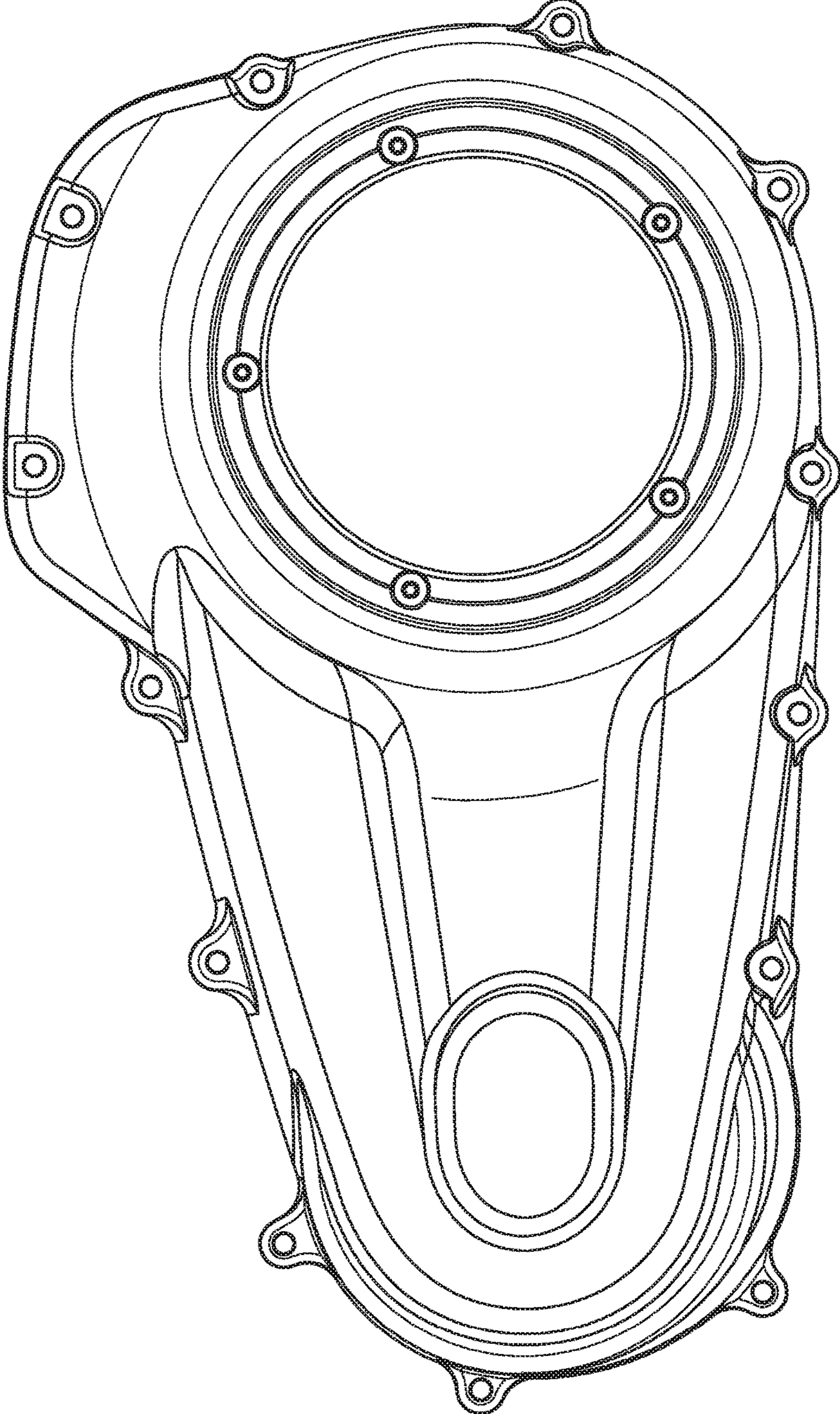


FIG. 2

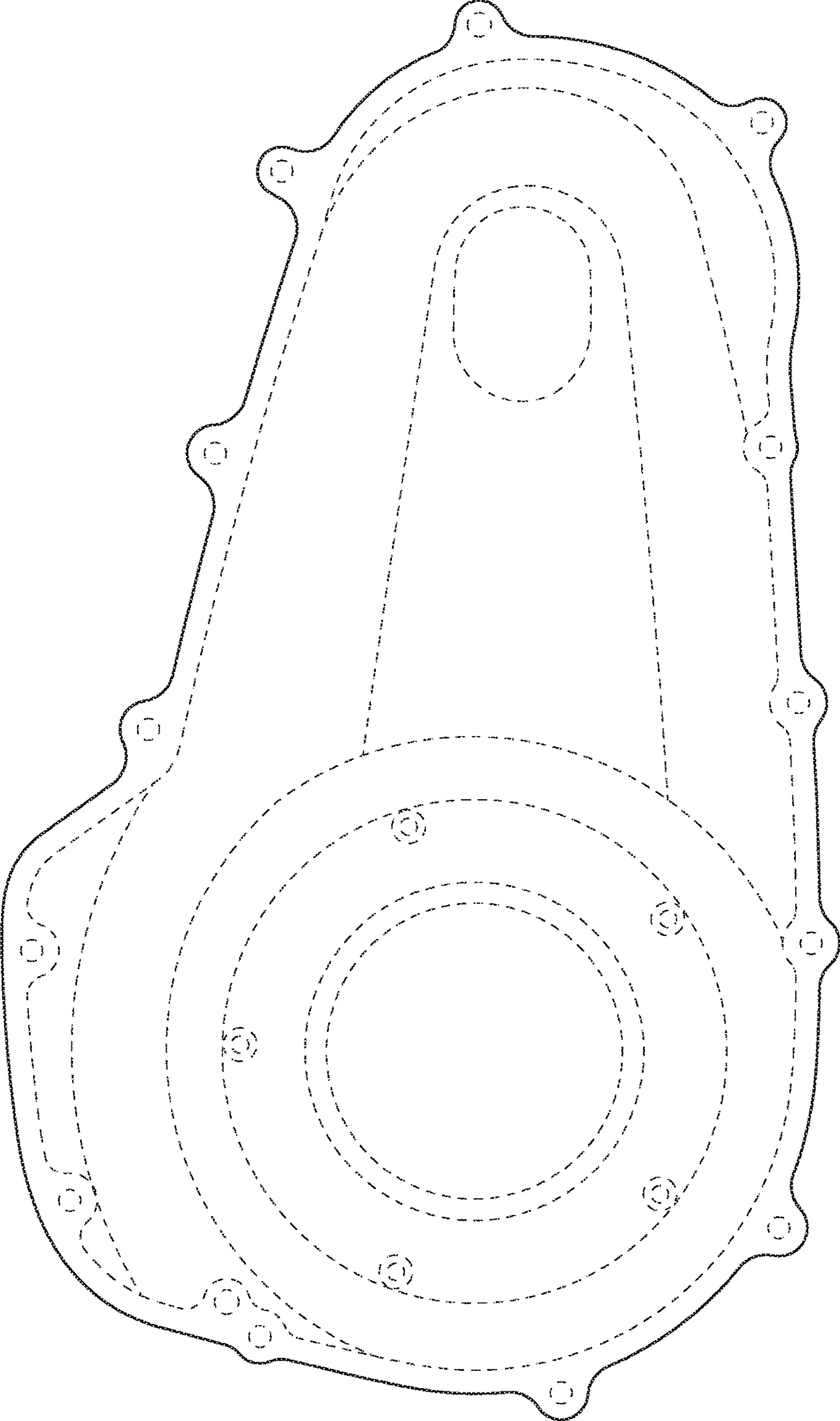


FIG. 3

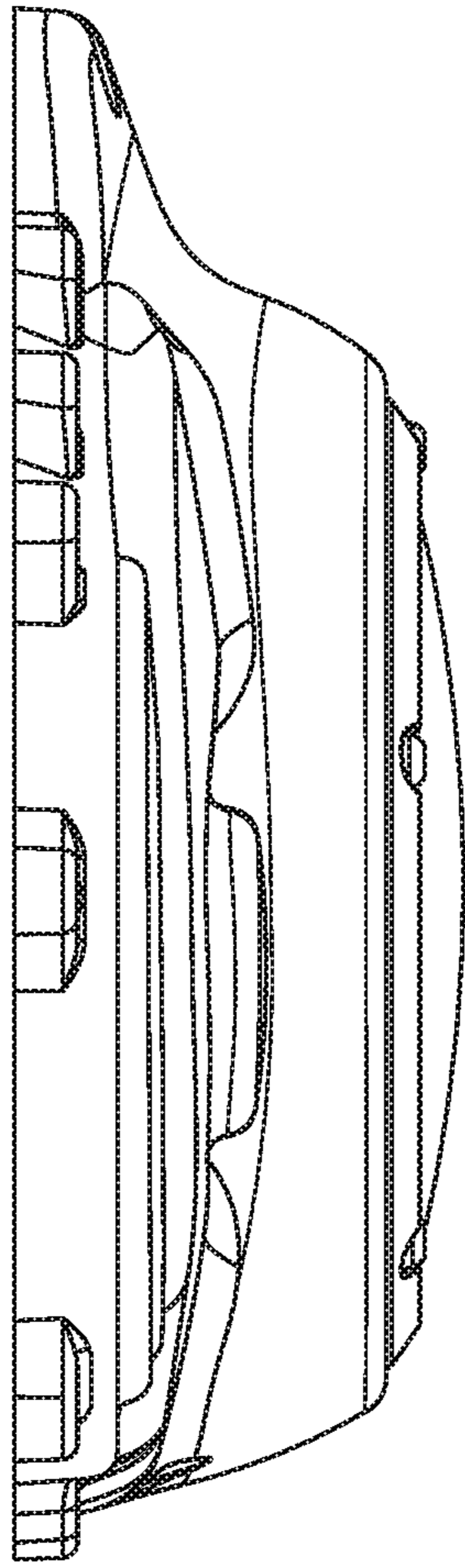


FIG. 4

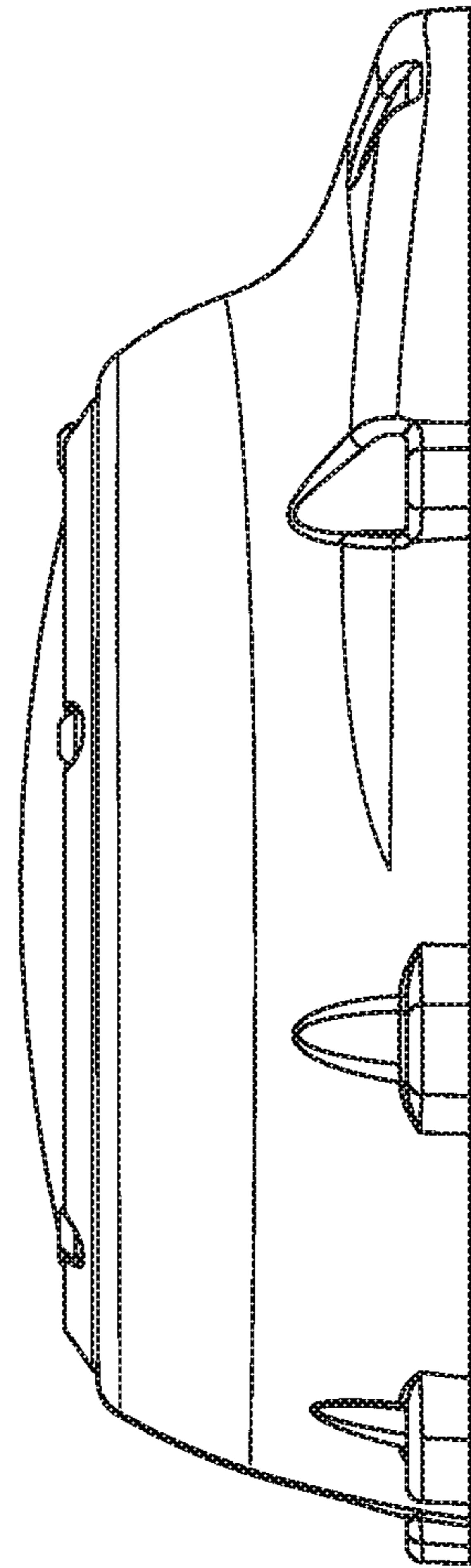


FIG. 5

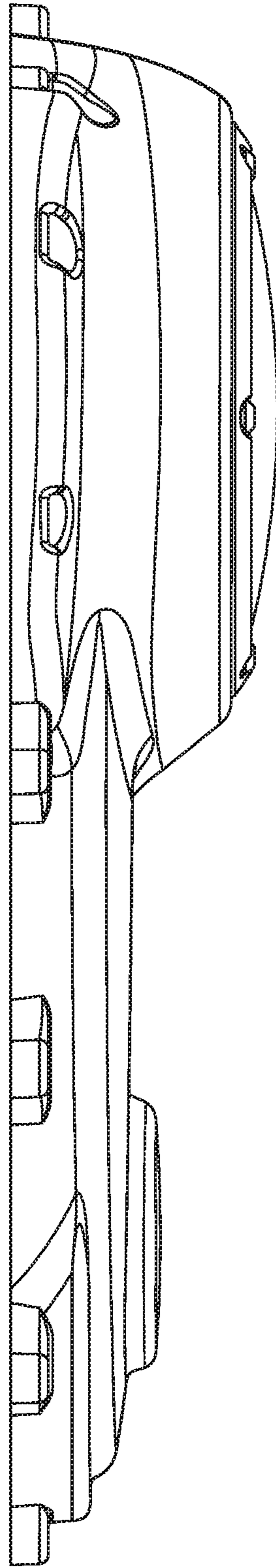


FIG. 6

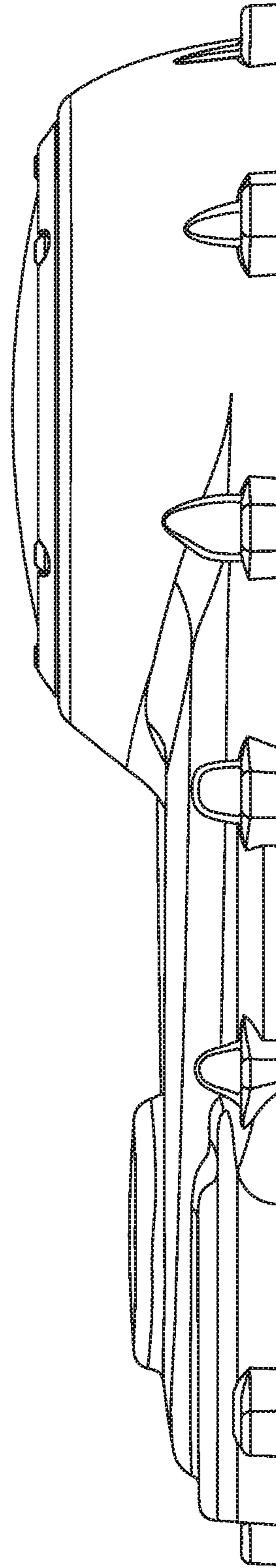


FIG. 7