



US00D800779S

(12) **United States Design Patent**
Lee et al.

(10) **Patent No.:** **US D800,779 S**
(45) **Date of Patent:** **** Oct. 24, 2017**

(54) **DISPLAY SCREEN OR PORTION THEREOF WITH TRANSITIONAL GRAPHICAL USER INTERFACE**

D690,717 S 10/2013 Thomsen
D703,692 S * 4/2014 Phelan D14/488
D739,872 S 9/2015 Bang
(Continued)

(71) Applicant: **Samsung Electronics Co., Ltd.**,
Suwon-si (KR)

FOREIGN PATENT DOCUMENTS

(72) Inventors: **Heon Woo Lee**, Seoul (KR); **Miyeon Park**, Seongnam-si (KR); **Yongman Park**, Yongin-si (KR); **Jakyoung Lee**, Seoul (KR); **Hyerim Kwak**, Seoul (KR); **Soyoung Lee**, Seoul (KR)

EM 001712977-0003 6/2010
JP D1530198 8/2015

OTHER PUBLICATIONS

(73) Assignee: **SAMSUNG ELECTRONICS CO., LTD.**, Suwon-si (KR)

ArsTechnica | How Apple Pay and Google Wallet actually work, posted on Oct. 29, 2014, no copyright date posted [online], [site visited May 11, 2017], Available from Internet, <URL: <https://arstechnica.com/gadgets/2014/10/how-mobile-payments-really-work/>>.

(**) Term: **15 Years**

(Continued)

(21) Appl. No.: **29/609,862**

Primary Examiner — Philip S. Hyder
Assistant Examiner — Cary M Robinson

(22) Filed: **Jul. 6, 2017**

(74) *Attorney, Agent, or Firm* — McAndrews Held & Malloy, Ltd.

Related U.S. Application Data

(63) Continuation of application No. 29/564,971, filed on May 17, 2016, now Pat. No. Des. 794,048.

(51) **LOC (10) Cl.** **14-04**

(52) **U.S. Cl.**
USPC **D14/492**

(58) **Field of Classification Search**
USPC D14/485–495
CPC ... B60K 37/00; G06F 3/0481; G06F 3/04845; G06F 3/04817; G06F 17/212; G06F 19/3406; G06T 13/80; G06T 15/02
See application file for complete search history.

(57) **CLAIM**

The ornamental design for a display screen or portion thereof with transitional graphical user interface, as shown and described.

(56) **References Cited**

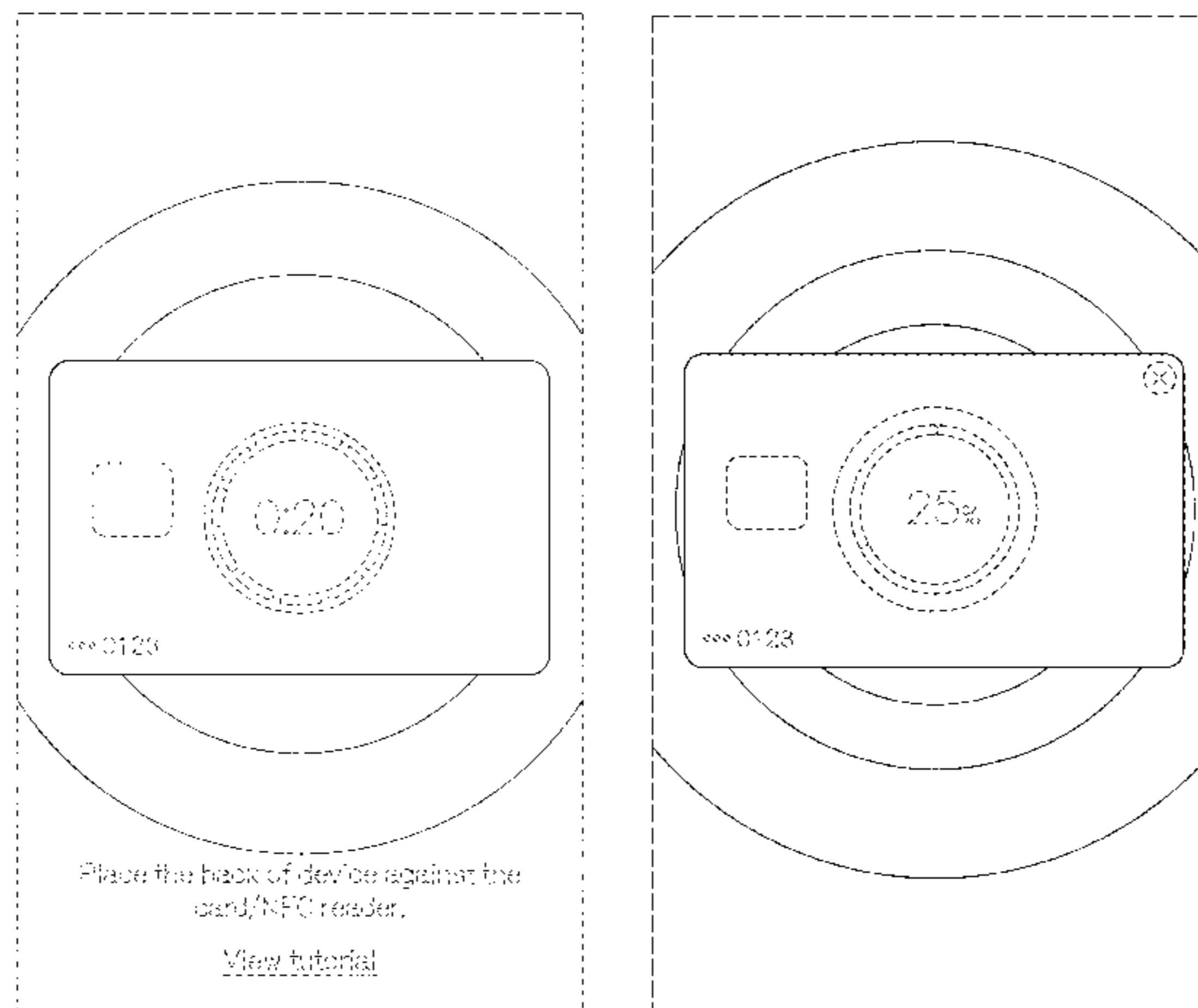
U.S. PATENT DOCUMENTS

D617,804 S * 6/2010 Hirsch D14/485
D644,243 S * 8/2011 Matas D14/489
D669,497 S 10/2012 Lee

DESCRIPTION

FIG. 1 is the first image in a sequence for a display screen or portion thereof with transitional graphical user interface showing our new design; and, FIG. 2 is the second image thereof. The broken line outer perimeter of the Figures illustrates a display screen or portion thereof and form no part of the claimed design. The remaining broken lines in the Figures illustrate portions of the graphical user interface that form no part of the claimed design. The appearance of the transitional image sequentially transitions between the images shown in FIGS. 1-2. The process

(Continued)



or period in which one image transitions to another image forms no part of the claimed design.

1 Claim, 2 Drawing Sheets

(56)

References Cited

U.S. PATENT DOCUMENTS

D746,857 S * 1/2016 Rayit D14/488
 D746,866 S 1/2016 Memoria
 D750,644 S * 3/2016 Bhutani D14/485
 D752,061 S * 3/2016 Ahn D14/485
 D754,713 S 4/2016 Zhang
 D756,401 S * 5/2016 Soldner D14/488
 D759,061 S 6/2016 Sahoo
 D760,283 S 6/2016 Horiuchi
 D761,277 S 7/2016 Harvell
 D761,812 S 7/2016 Motamedi
 D761,857 S 7/2016 Mariet
 D762,671 S * 8/2016 Chan D14/485
 D765,101 S * 8/2016 Park D14/485
 D766,308 S * 9/2016 Park D14/487
 D769,312 S * 10/2016 Chen D14/488
 D769,889 S 10/2016 Kuhn
 D773,531 S 12/2016 Toth
 D775,658 S 1/2017 Luo
 D776,152 S * 1/2017 Park D14/488
 D777,200 S 1/2017 Luo
 D777,762 S 1/2017 Park
 D777,778 S * 1/2017 Park D14/488
 D780,781 S * 3/2017 Ding D14/486
 D783,633 S * 4/2017 Oh D14/485
 D783,652 S * 4/2017 Guan D14/486

D784,369 S 4/2017 Kuhn
 D784,370 S 4/2017 Kuhn
 D785,013 S 4/2017 Kuhn
 D791,830 S * 7/2017 Szeto D14/488
 D794,055 S * 8/2017 Kim D14/486
 2004/0223004 A1 * 11/2004 Lincke G06F 1/1626
 345/649
 2007/0136679 A1 6/2007 Yang
 2012/0096383 A1 4/2012 Sakamoto
 2012/0124520 A1 5/2012 Samp
 2015/0019966 A1 * 1/2015 Jeon G06F 3/04817
 715/716
 2017/0109178 A1 * 4/2017 Chen G06F 9/4443
 2017/0185991 A1 * 6/2017 Park G06Q 20/3223

OTHER PUBLICATIONS

Samsung Newsroom | Products | Mobile | Samsung Pay Trial Service Launched in Korea, posted on Jul. 16, 2015, copyright © 2011-2017 Samsung [online], [site visited May 11, 2017], Available from Internet, URL: <https://news.samsung.com/global/samsung-pay-trial-service-launched-in-korea/>.
 Unknown, "How to Configure Apple Pay on iPhone 6 and iPhone 6 Plus iOS [How-To]", published Oct. 21, 2014 on the internet at OSXiOSExpert: <<https://www.osxiosexpert.com/setup-apple-pay-iphone-6-ios-8/>> (Last accessed Jun. 22, 2017).
 Broussard, Mitchel, "Home Depot Quietly Drops Apple Pay, But Service Continues to Work at Many Store", published May 5, 2015 at MacRumors: <<https://www.macrumors.com/2015/05/05/home-depot-quietly-drops-apple-pay/>> (Last accessed Jun. 22, 2017).
 Unknown, "Apple Pay—Banco Santander", unknown publishing date, <<https://www.bancosantander.es/es/particulares/banca-online/apple-pay>> (Last accessed Jun. 22, 2017).

* cited by examiner

FIG. 1

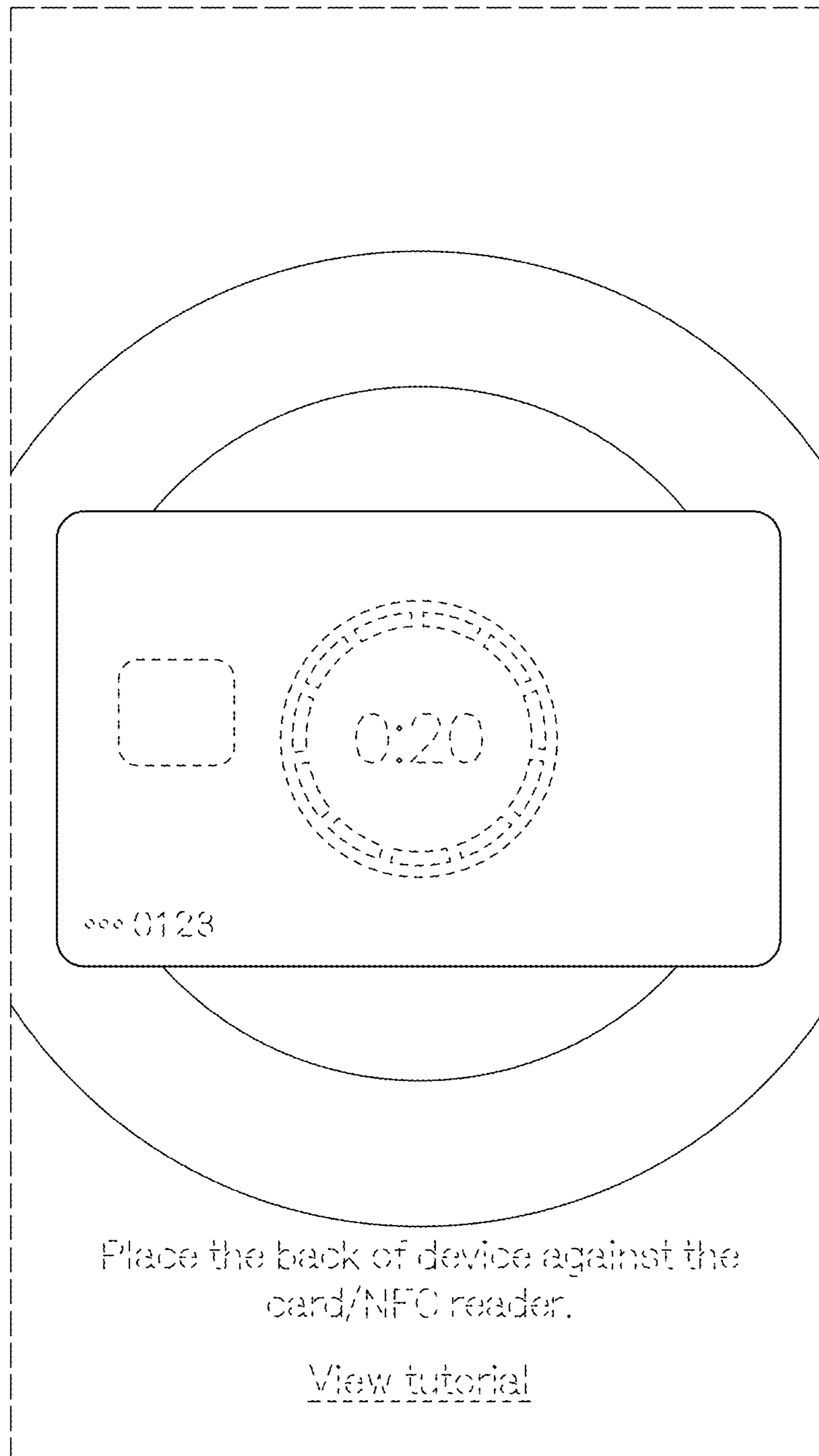


FIG. 2

