



US00D800765S

(12) **United States Design Patent**
Stoksik

(10) **Patent No.:** **US D800,765 S**

(45) **Date of Patent:** **** Oct. 24, 2017**

(54) **DISPLAY SCREEN OR PORTION THEREOF WITH A GRAPHICAL USER INTERFACE HAVING A TRANSITIONAL ICON**

(71) Applicant: **OpenTV, Inc.**, San Francisco, CA (US)

(72) Inventor: **Marc Stoksik**, Palo Alto, CA (US)

(73) Assignee: **OPENTV, INC.**, San Francisco, CA (US)

(**) Term: **15 Years**

(21) Appl. No.: **29/575,877**

(22) Filed: **Aug. 30, 2016**

(51) **LOC (10) Cl.** **14-04**

(52) **U.S. Cl.**
USPC **D14/488**

(58) **Field of Classification Search**
USPC D14/485-495; 345/1.1, 1.2, 2.1-2.3, 3.1, 345/902; 715/763, 810, 836, 837, 846, 715/847, 977
CPC G06F 3/048; G06F 3/0481; G06F 3/04812; G06F 3/04817; G06F 3/0482; G06F 3/0483; G06F 3/0484; G06F 3/04847; G06F 3/0485; G06F 3/04855; G06F 3/04886; G06Q 30/00; H03J 1/00; H03J 1/0008; H03J 1/0016; H03J 1/0025; H04N 5/00;

(Continued)

(56) **References Cited**

U.S. PATENT DOCUMENTS

D603,416 S * 11/2009 Poling D14/485
D672,363 S * 12/2012 Reyna D14/486

(Continued)

OTHER PUBLICATIONS

Young, Sanadas. "Movie UI." dribbble.com. Aug. 4, 2013. Accessed Aug. 14, 2017. Available online at URL: <https://dribbble.com/shots/1182568-Movie-Ui>.*

(Continued)

Primary Examiner — Cathron Brooks
Assistant Examiner — Christian P McLean
(74) *Attorney, Agent, or Firm* — Schwegman Lundberg & Woessner, P.A.

(57) **CLAIM**

The ornamental design for a display screen or portion thereof with a graphical user interface having a transitional icon, as shown and described.

DESCRIPTION

FIG. 1 is a front view of a display screen or portion thereof with a graphical user interface having a transitional icon, showing our new design and, in particular, showing a first image thereof.

FIG. 2 is a front view of a display screen or portion thereof with a graphical user interface having a transitional icon, showing our new design, and in particular, showing a second image thereof.

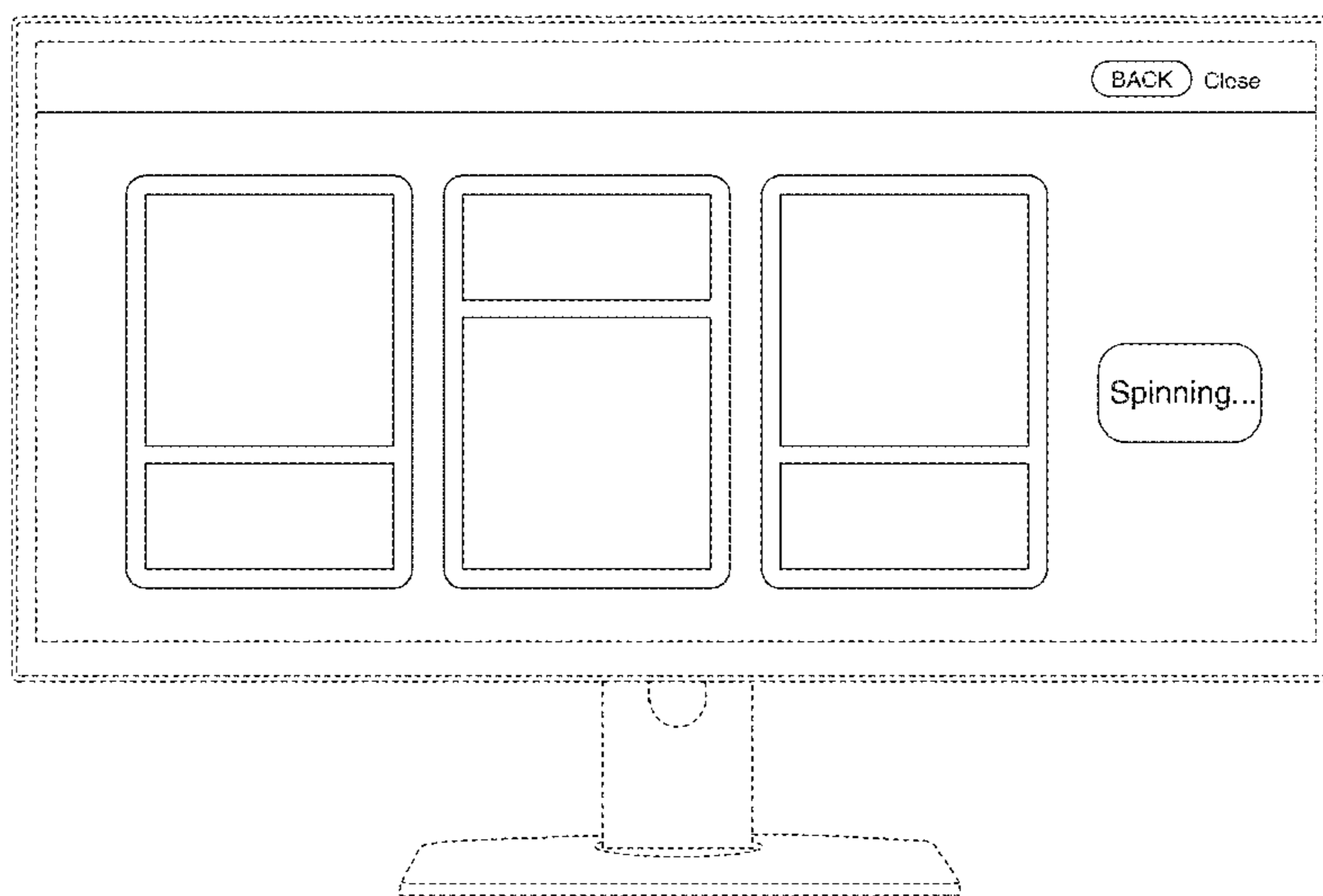
FIG. 3 is a front view of a display screen or portion thereof with a graphical user interface having a transitional icon, showing our new design, and in particular, showing a third image thereof; and,

FIG. 4 is a front view of the display screen or portion thereof with a graphical user interface having a transitional icon, showing our new design, and in particular, showing a fourth image thereof.

The broken lines illustrate an electronic device, which is the environment of the design, and which forms no part of the claimed design. The remaining broken lines illustrate portions of the display screen and portions of the graphical user interface that form no part of the claimed design.

The appearance of the graphical user interface with the transitional icon sequentially transitions among the images shown in FIGS. 1-4. The process or period in which one image transitions to another image forms no part of the claimed design.

1 Claim, 4 Drawing Sheets



(58) **Field of Classification Search**

CPC H04N 5/08; H04N 5/14; H04N 5/222;
 H04N 5/225; H04N 5/232; H04N 5/445;
 H04N 5/44543; H04N 5/45; H04N
 2005/44517; H04N 2005/44521; H04N
 2005/44526; H04N 2005/4453; H04N
 2005/44534; H04N 2005/44539; H04N
 2005/44547; H04N 2005/44556; H04N
 2005/4456; H04N 2005/44565; H04N
 2005/44569; H04N 2005/44573; H04N
 21/00; H04N 21/234; H04N 21/431;
 H04N 21/4312; H04N 21/4314; H04N
 21/4316

See application file for complete search history.

D757,769 S * 5/2016 Wang H04N 21/4314
 D14/486
 D760,275 S * 6/2016 Zhang D14/488
 D764,520 S * 8/2016 Lee D14/488
 D780,188 S * 2/2017 Xiao D14/485
 D781,870 S * 3/2017 Orr D14/485
 D784,374 S * 4/2017 Hao D14/486
 2010/0131878 A1* 5/2010 Fujioka A63F 13/12
 715/765
 2011/0047512 A1* 2/2011 Onogi G06F 3/0482
 715/836
 2012/0272186 A1* 10/2012 Kraut G06F 3/0488
 715/810
 2014/0201635 A1* 7/2014 Kumar G06F 3/04847
 715/716
 2017/0168769 A1* 6/2017 Jeon G06F 3/1446

(56)

References Cited

U.S. PATENT DOCUMENTS

D714,822 S * 10/2014 Capua D14/488
 D731,537 S * 6/2015 Jeong D14/488
 D737,279 S * 8/2015 Taniuchi D14/485
 D750,113 S * 2/2016 Kettner D14/486
 D754,671 S * 4/2016 Aldamiz Echevarria D14/485

OTHER PUBLICATIONS

“Indian Application Serial No. 291400, First Examiner Report mailed Mar. 23, 2017”, 2 pgs.

“Indian Application Serial No. 291400, Response filed Aug. 18, 2017 First Examiner Report dated Mar. 23, 2017”, 28 pgs.

* cited by examiner

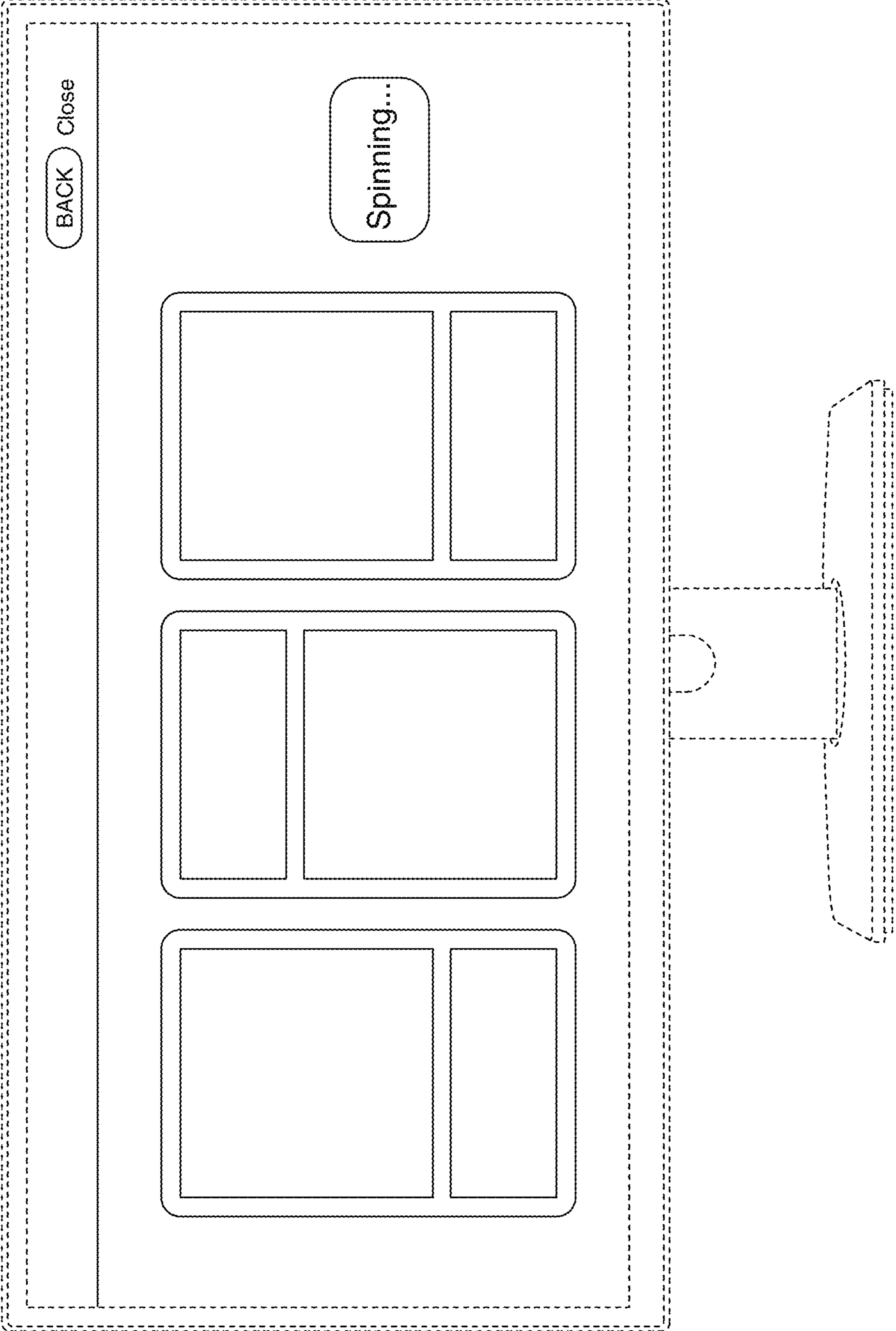
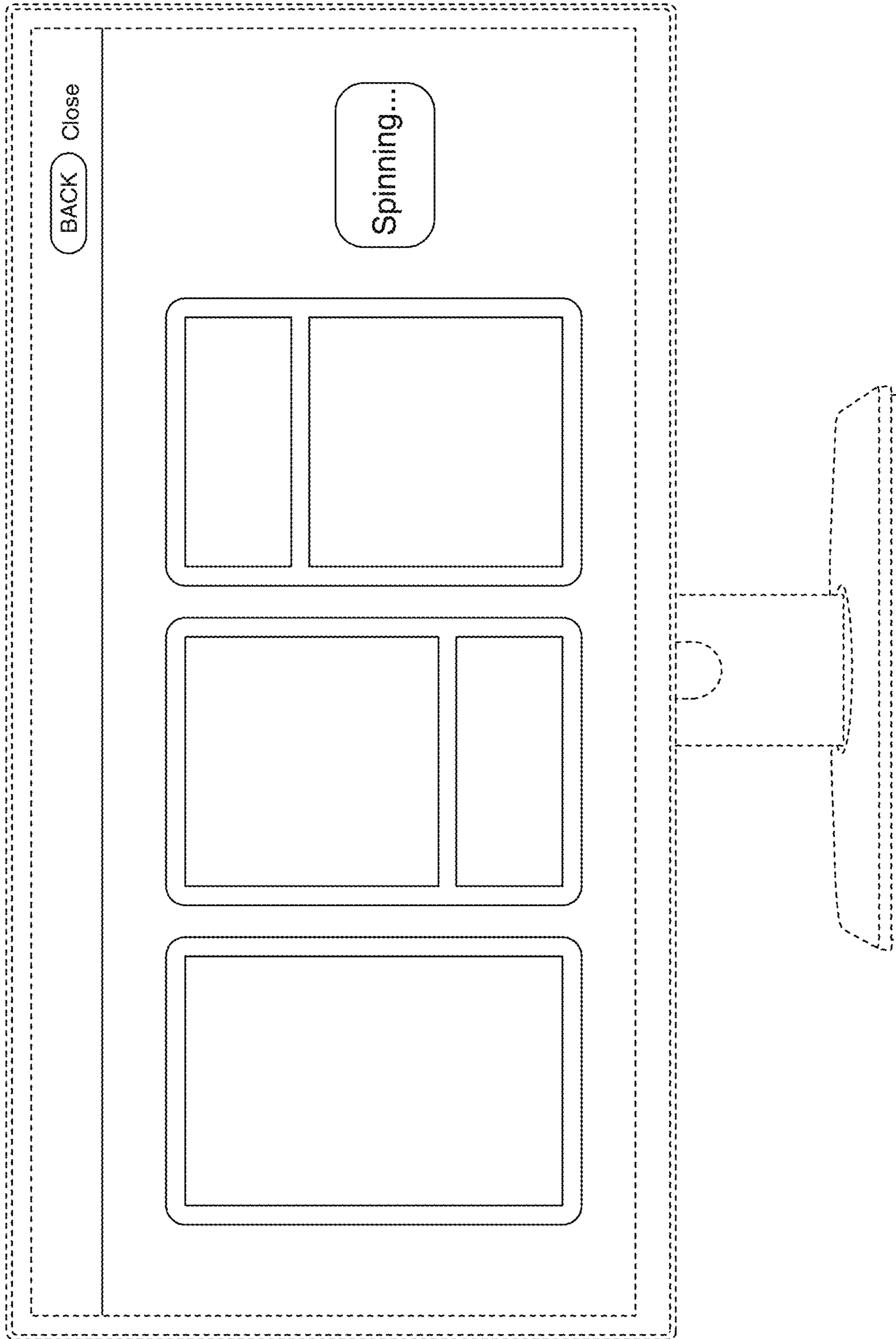
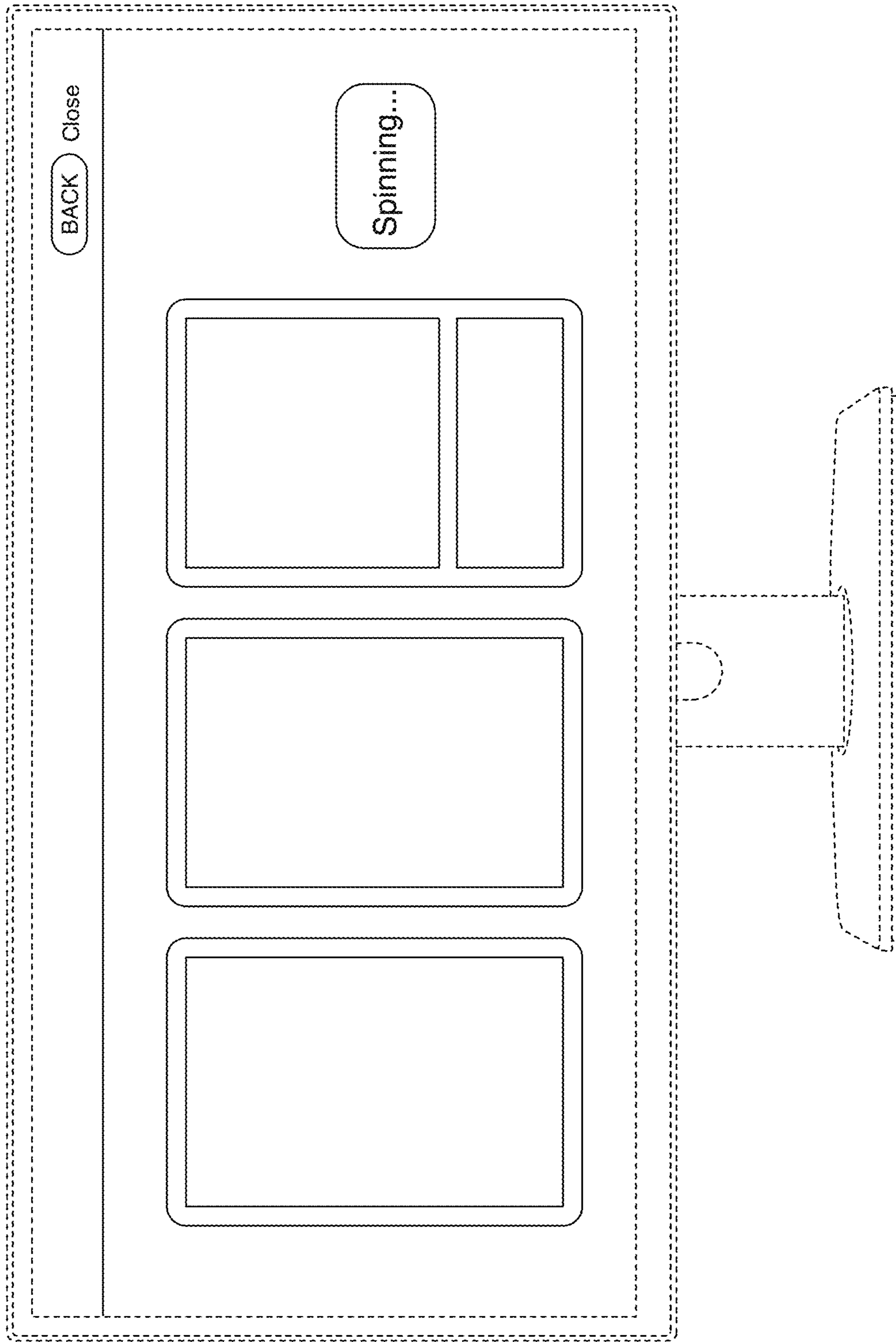


FIG. 1





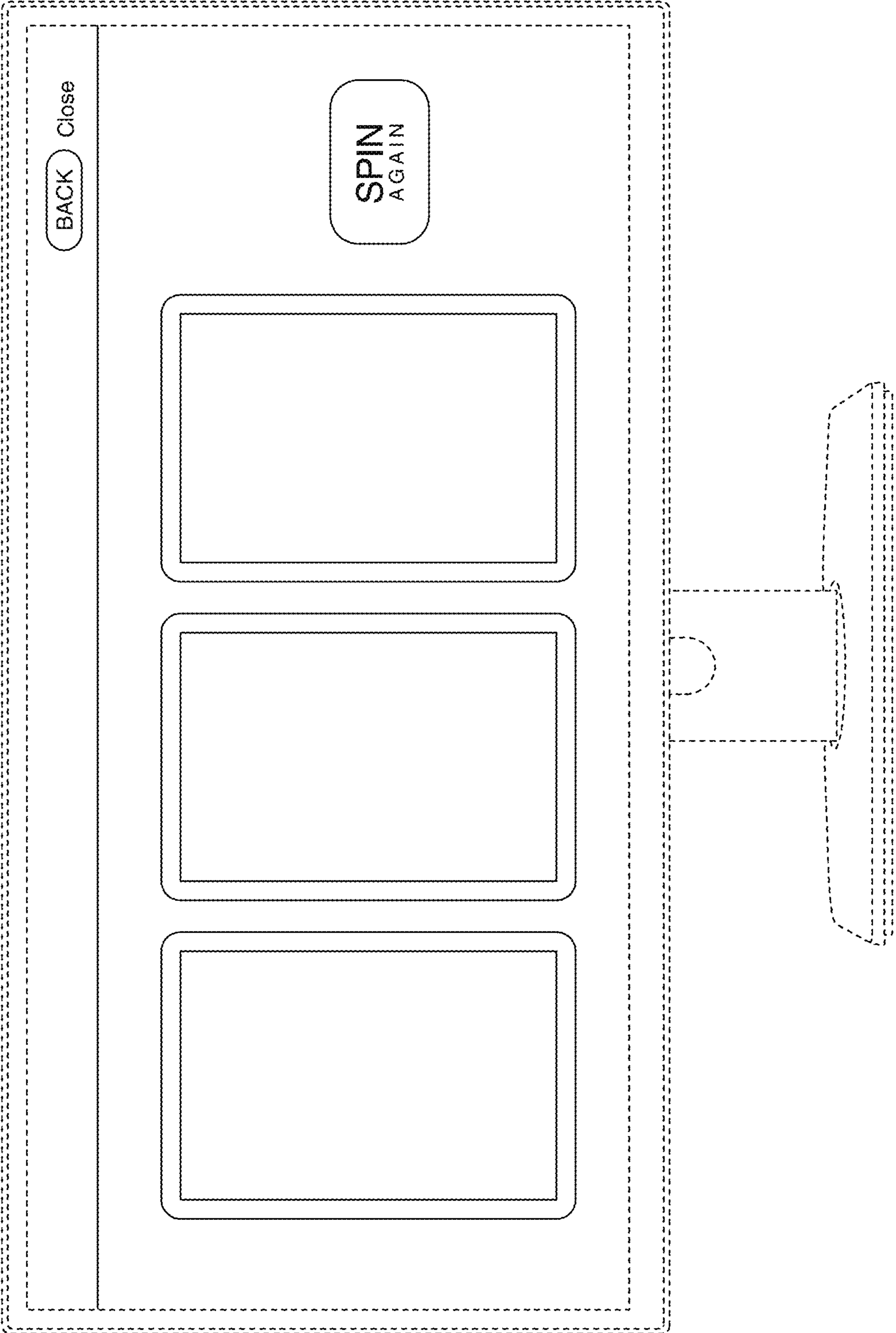


FIG. 4