



US00D800753S

(12) **United States Design Patent** (10) **Patent No.:** **US D800,753 S**  
**Hersh et al.** (45) **Date of Patent:** **\*\* Oct. 24, 2017**

(54) **DISPLAY SCREEN OR PORTION THEREOF WITH ANIMATED GRAPHICAL USER INTERFACE**

*Primary Examiner* — Cathron Brooks  
*Assistant Examiner* — Andrew Nemeth  
(74) *Attorney, Agent, or Firm* — Haynes and Boone, LLP

(71) Applicant: **Smule, Inc.**, San Francisco, CA (US)

(72) Inventors: **Benjamin Hersh**, San Francisco, CA (US); **John Shimmin**, San Francisco, CA (US); **Jeannie Yang**, San Francisco, CA (US); **Perry R. Cook**, Jacksonville, OR (US)

(73) Assignee: **Smule, Inc.**, San Francisco, CA (US)

(\*\*) Term: **15 Years**

(21) Appl. No.: **29/566,090**

(22) Filed: **May 26, 2016**

**Related U.S. Application Data**

(63) Continuation-in-part of application No. 14/879,075, filed on Oct. 8, 2015, now abandoned.

(51) **LOC (10) Cl.** ..... **14-04**

(52) **U.S. Cl.**  
USPC ..... **D14/486**

(58) **Field of Classification Search**  
USPC ..... D14/485–495

(Continued)

(56) **References Cited**

**U.S. PATENT DOCUMENTS**

D626,131 S \* 10/2010 Kruzeniski ..... D14/485  
D650,793 S \* 12/2011 Impas ..... D14/489

(Continued)

**OTHER PUBLICATIONS**

Sing! Karaoke by Smule on Apple TV, by Smule, published Oct. 29, 2015, youtube.com [online], [retrived Jun. 7, 2017]. Available from internet <URL:https://www.youtube.com/watch?v=9VXGC3oGwxQ>.\*

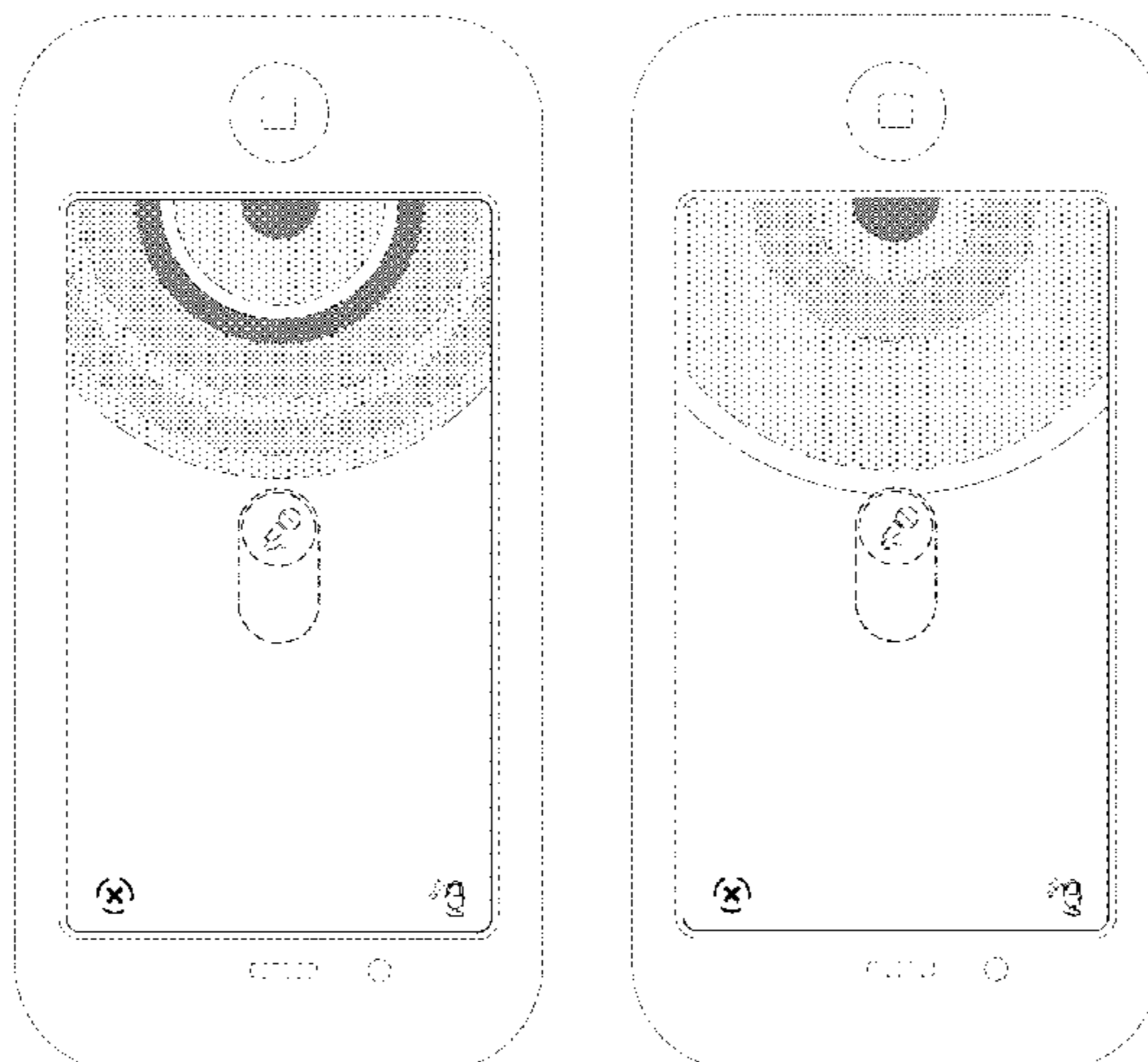
(57) **CLAIM**

The ornamental design for a display screen or portion thereof with animated graphical user interface, as shown and described.

**DESCRIPTION**

FIG. 1 is a front view of a first image of a display screen or portion thereof with animated graphical user interface showing our new design;  
FIG. 2 is a front view of a second image thereof;  
FIG. 3 is a front view of a third image thereof;  
FIG. 4 is a front view of a fourth image thereof;  
FIG. 5 is a front view of a fifth image thereof;  
FIG. 6 is a front view of a sixth image thereof;  
FIG. 7 is a front view of a seventh image thereof;  
FIG. 8 is a front view of an eighth image thereof;  
FIG. 9 is a front view of a ninth image thereof;  
FIG. 10 is a front view of a tenth image thereof;  
FIG. 11 is a front view of an eleventh image thereof; and  
FIG. 12 is a front view of a twelfth image thereof; and,  
FIG. 13 is a perspective view of the tenth image of the display screen or portion thereof with animated graphical user interface corresponding to the front view of FIG. 10. The appearance of the animated images transitions between the images shown in FIGS. 1-12. The process or period in which one image transitions to another forms no part of the claimed design. The broken line showing of an electronic device and display screen illustrate environmental structure and the article of manufacture, respectively. The broken line showing of the centralized microphone icon with surrounding slider, the ‘X within a circle’ icon, and the ‘microphone and stars’ icon, illustrate portions of the graphical user interface. The broken line showing of a person in FIG. 13 illustrates environment. None of the broken lines form part of the claimed design.

**1 Claim, 8 Drawing Sheets**



(58) **Field of Classification Search**

CPC .. G06F 3/0481; G06F 3/04817; G06F 3/0482;  
G06F 3/0488; G06F 3/04883

See application file for complete search history.

(56) **References Cited**

U.S. PATENT DOCUMENTS

D667,423	S	*	9/2012	Nagamine	.....	D14/488
D704,220	S	*	5/2014	Lim	.....	D14/492
D726,221	S	*	4/2015	Gomez	.....	D14/492
D727,938	S	*	4/2015	Lee	.....	D14/486
D728,599	S	*	5/2015	Lee	.....	D14/486
D737,325	S	*	8/2015	Kim	.....	D14/489
D737,854	S	*	9/2015	Kim	.....	D14/489
9,172,867	B2	*	10/2015	Yoon	.....	H04N 5/335
D753,132	S	*	4/2016	Cuthbert	.....	D14/485
D756,401	S	*	5/2016	Soldner	.....	D14/488
D759,061	S	*	6/2016	Sahoo	.....	D14/485
D761,299	S	*	7/2016	Rajendran	.....	D14/488
D762,655	S	*	8/2016	Kai	.....	D14/485
D762,673	S	*	8/2016	Seo	.....	D14/485
D763,271	S	*	8/2016	Everette	.....	D14/485

D763,861	S	*	8/2016	Kaasalainen	.....	G06F 3/04817 D14/485
D763,869	S	*	8/2016	Wang	.....	D14/485
D771,064	S	*	11/2016	Nuovo	.....	D14/485
D776,680	S	*	1/2017	Bae	.....	D14/485
D778,923	S	*	2/2017	Zhou	.....	D14/485
D779,516	S	*	2/2017	Pierson	.....	D14/486
D780,772	S	*	3/2017	Kim	.....	D14/485
D780,781	S	*	3/2017	Ding	.....	D14/486
D783,633	S	*	4/2017	Oh	.....	D14/485
D783,652	S	*	4/2017	Guan	.....	D14/486
D784,363	S	*	4/2017	Fleming	.....	D14/485
D787,527	S	*	5/2017	Wilberding	.....	D14/485
2010/0318366	A1	*	12/2010	Sullivan	.....	H04M 1/72519 704/275
2013/0174094	A1	*	7/2013	Heo	.....	G06F 3/04883 715/835
2015/0188720	A1	*	7/2015	Winter	.....	H04L 12/1813 715/753
2015/0193196	A1	*	7/2015	Lin	.....	G06F 3/165 715/716
2016/0011850	A1	*	1/2016	Sheen	.....	H04S 7/301 715/709
2017/0123755	A1	*	5/2017	Hersh	.....	G06F 3/165

\* cited by examiner

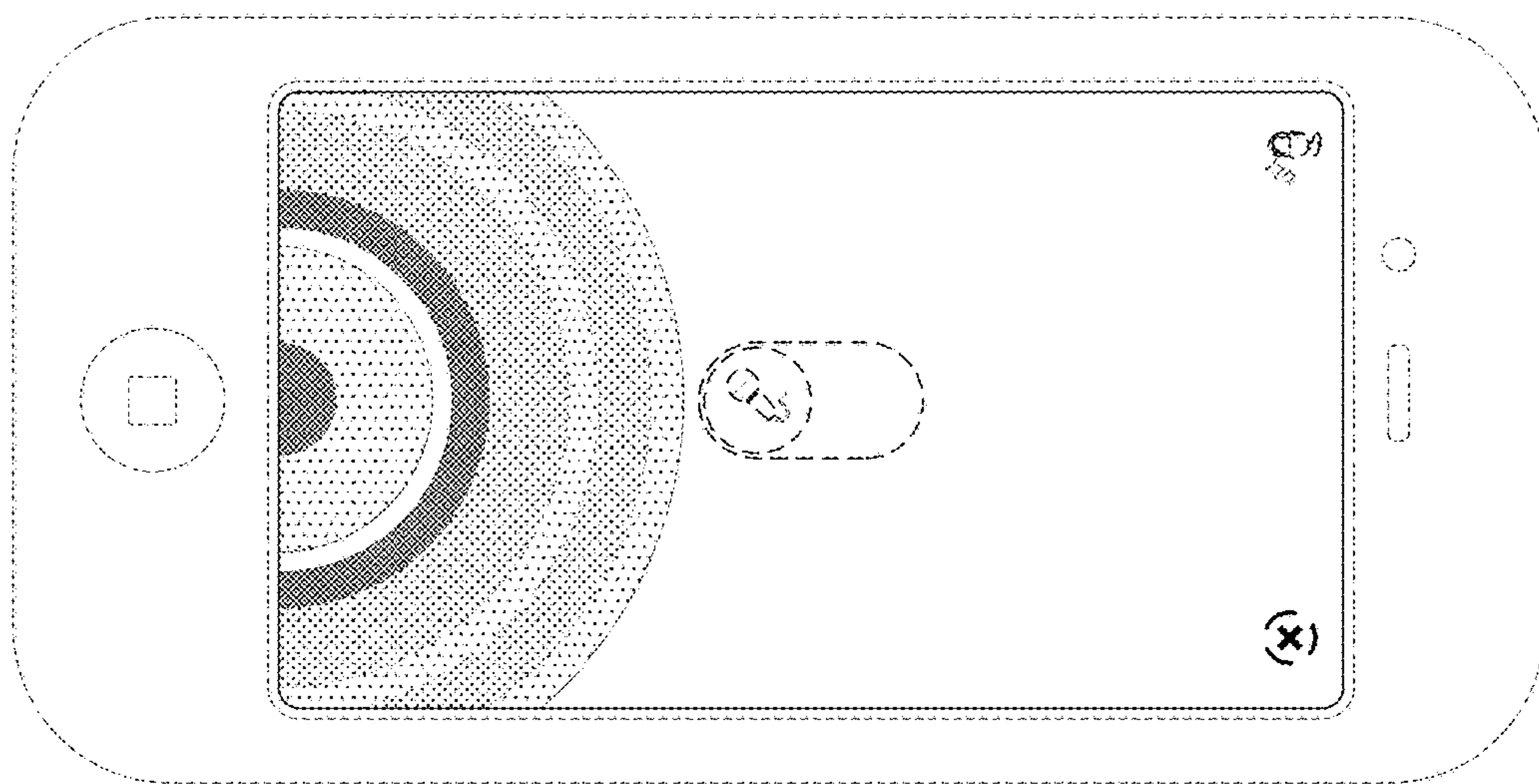


Fig. 1

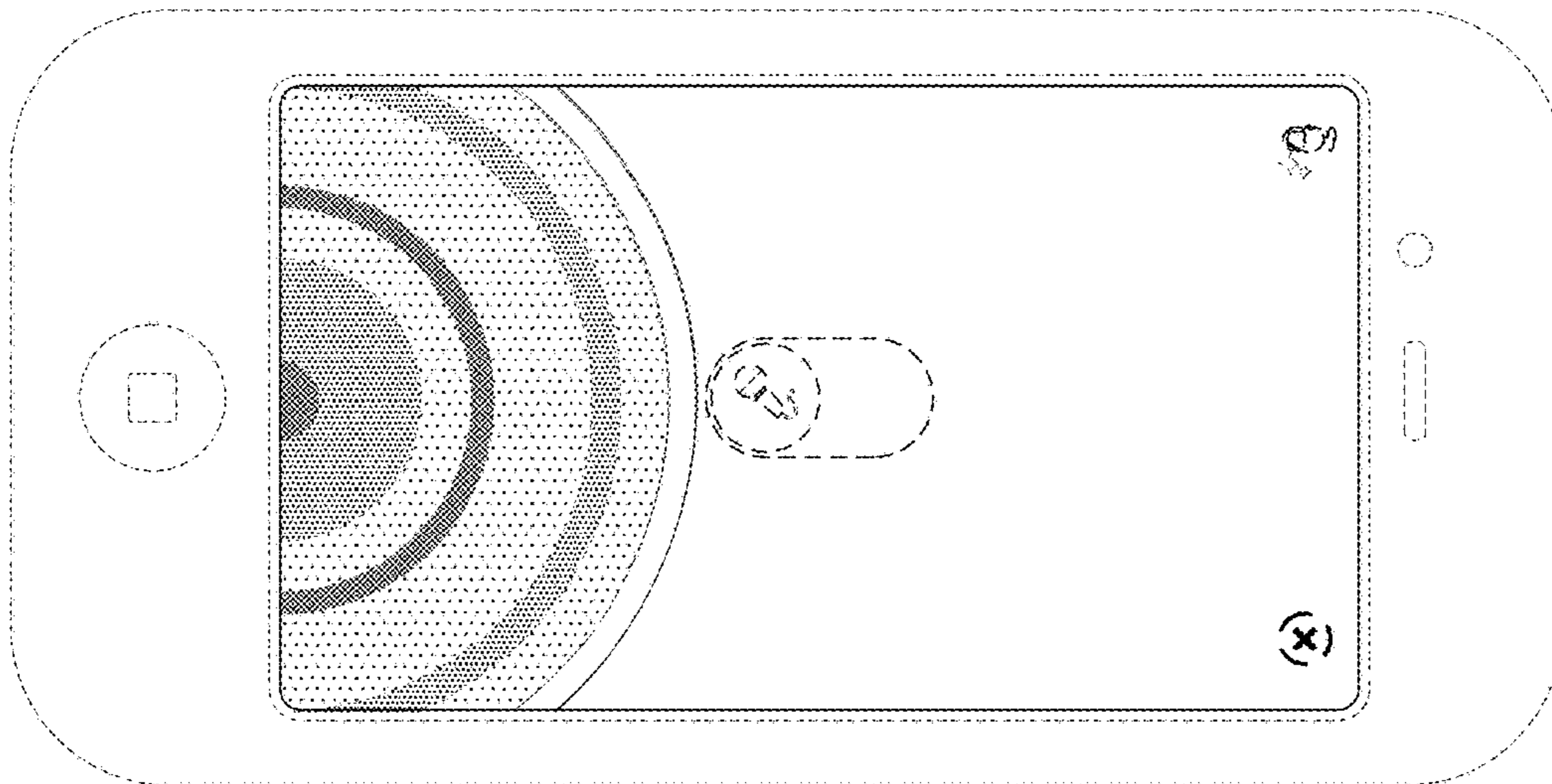


Fig. 2

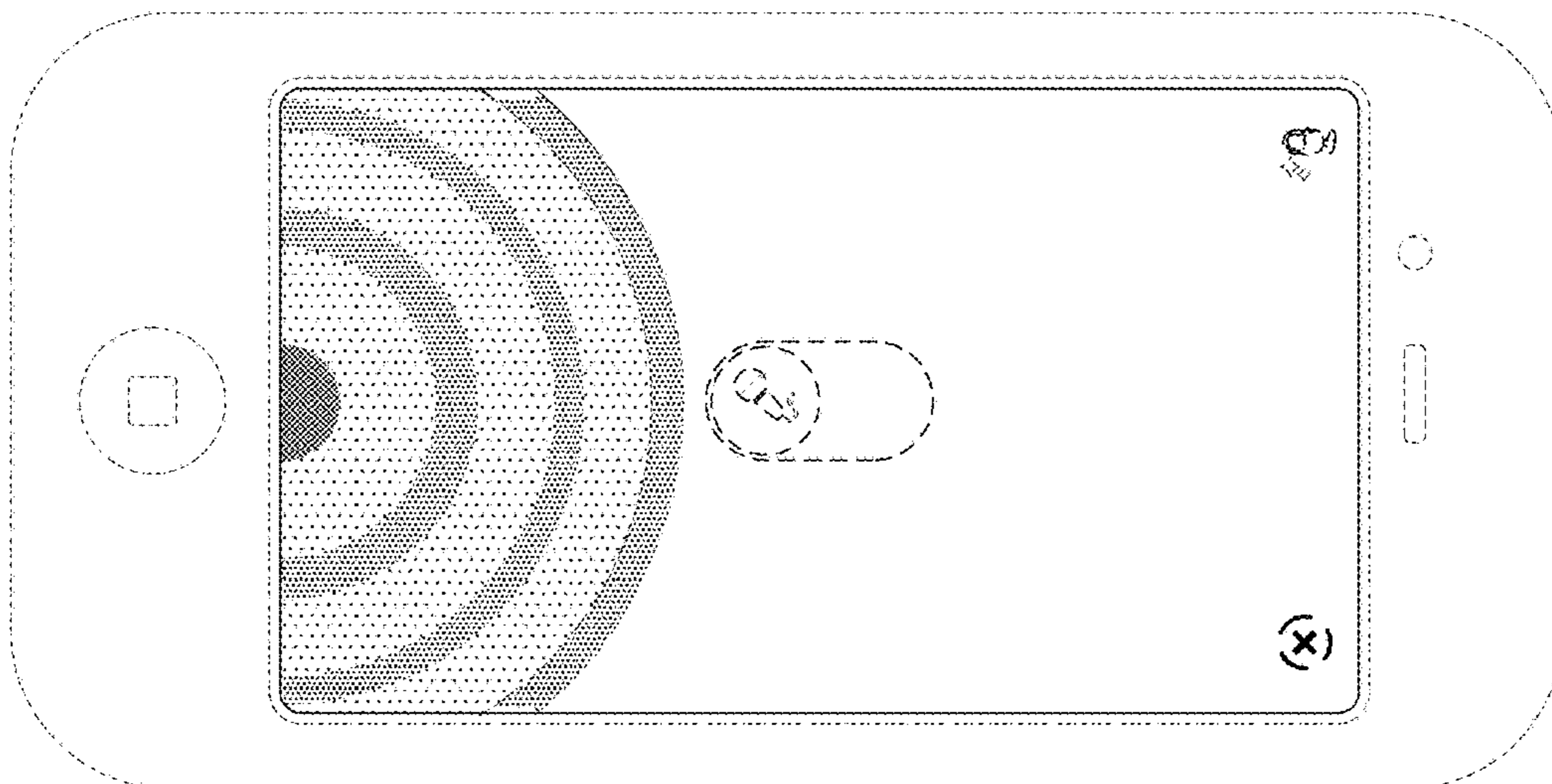


Fig. 3

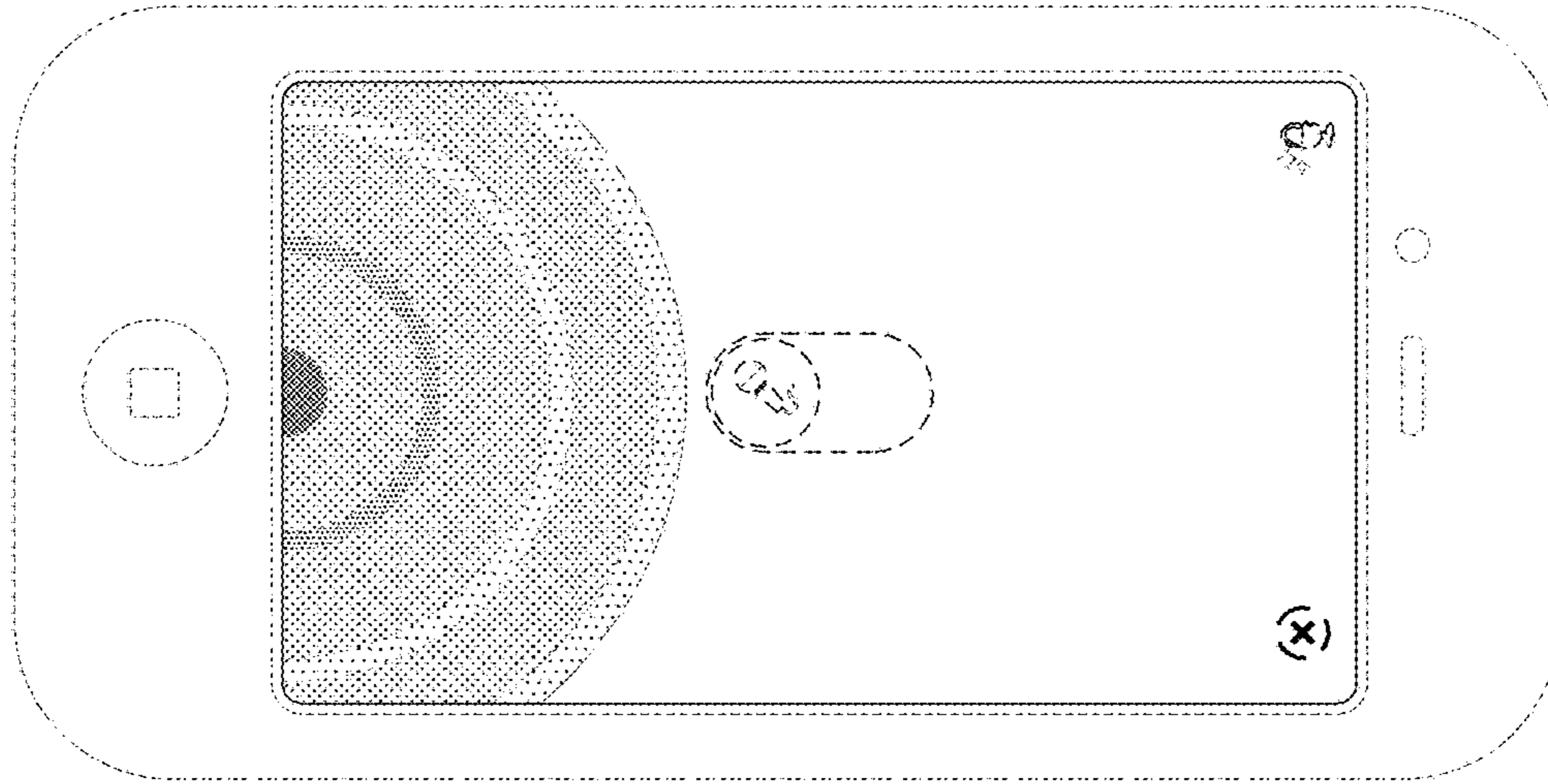


Fig. 4

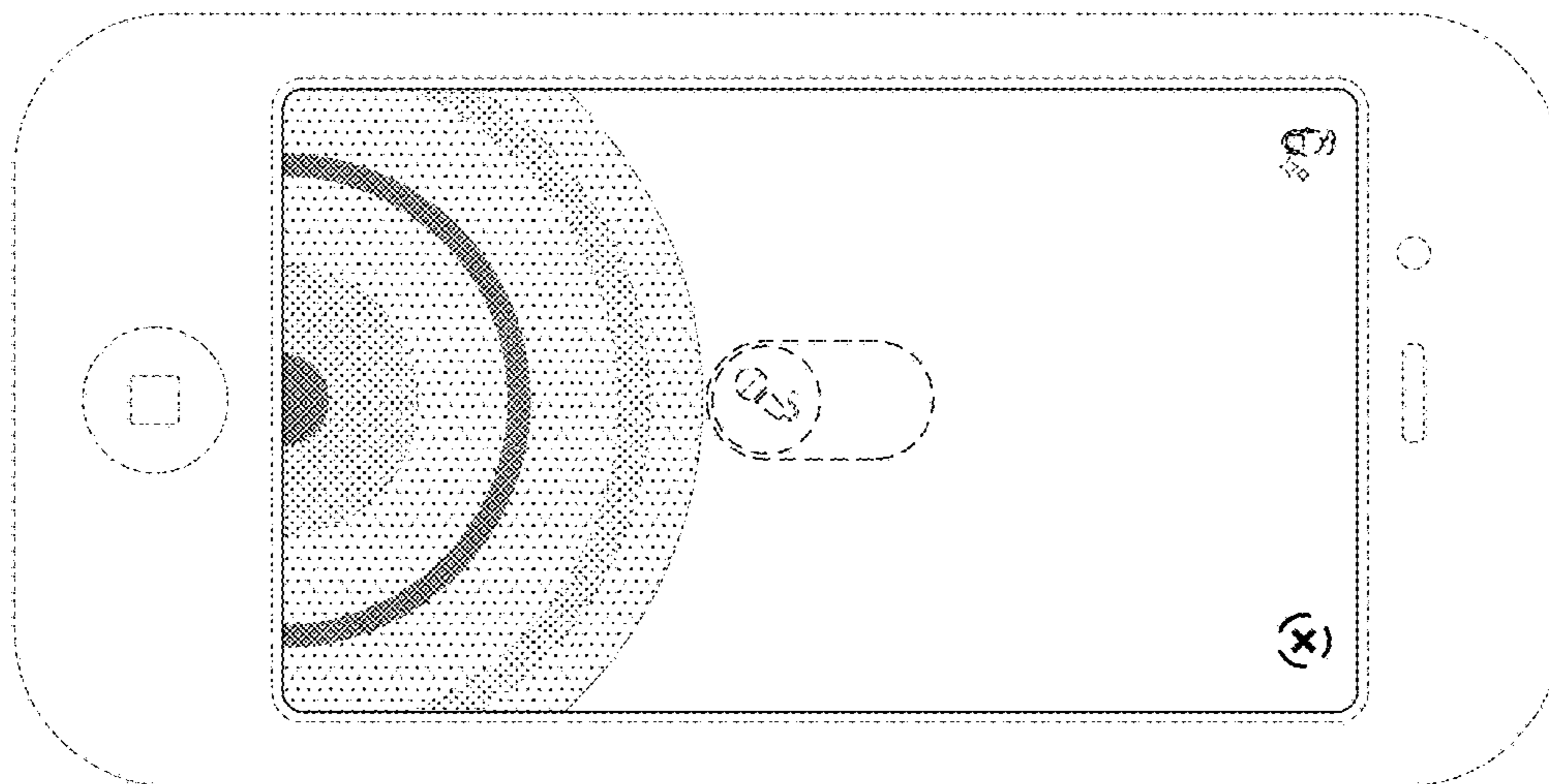


Fig. 5

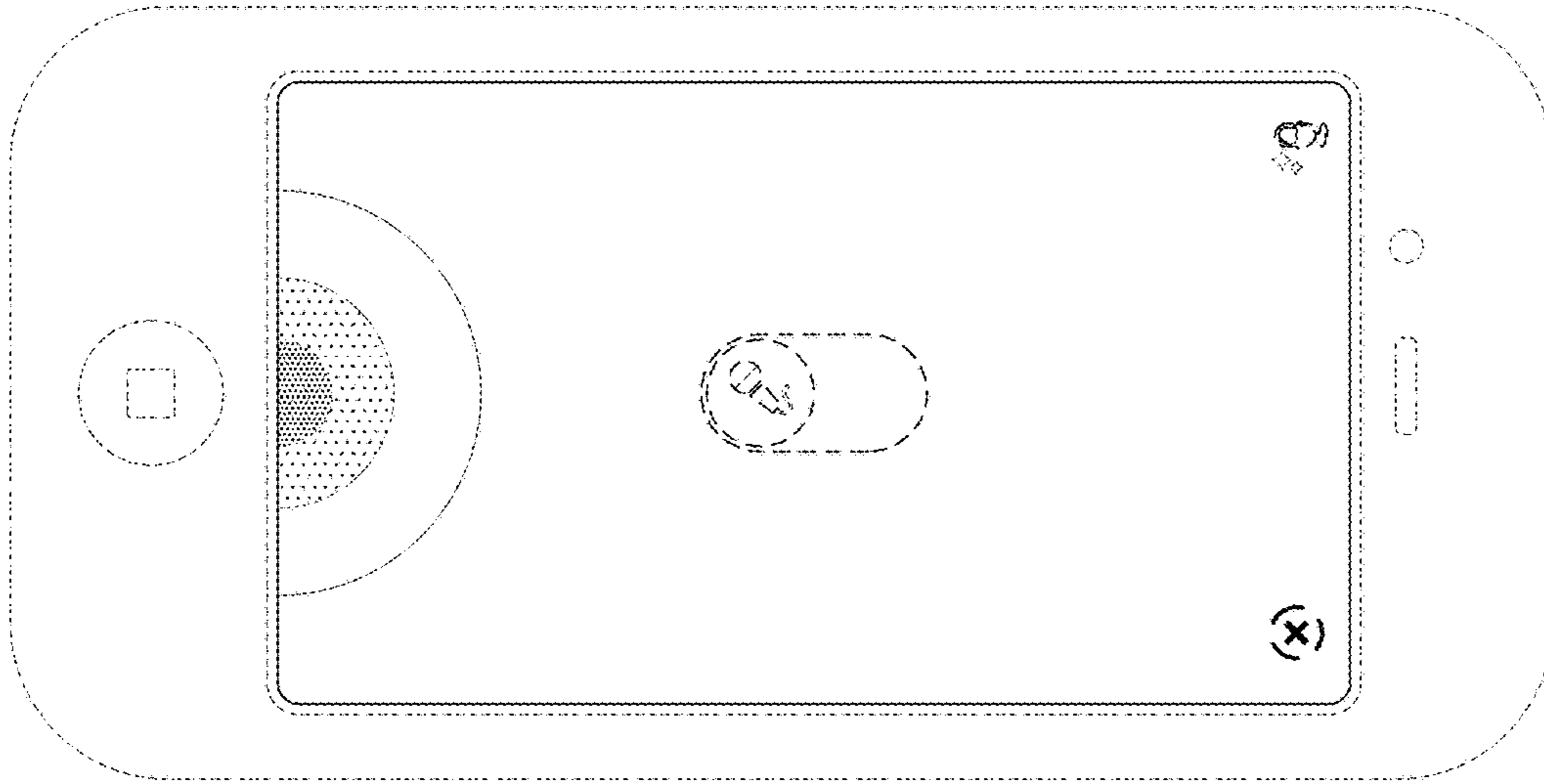


Fig. 6

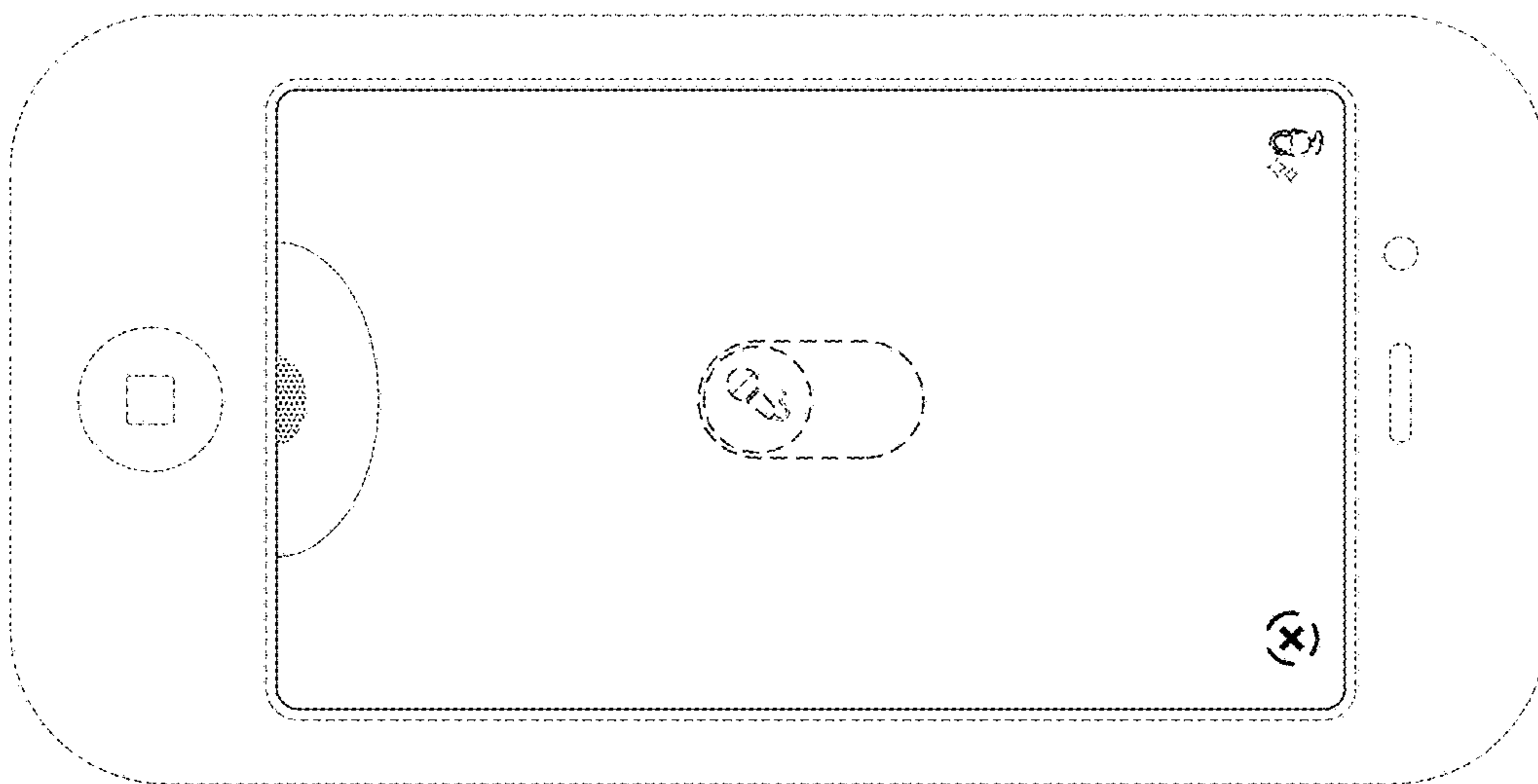


Fig. 7

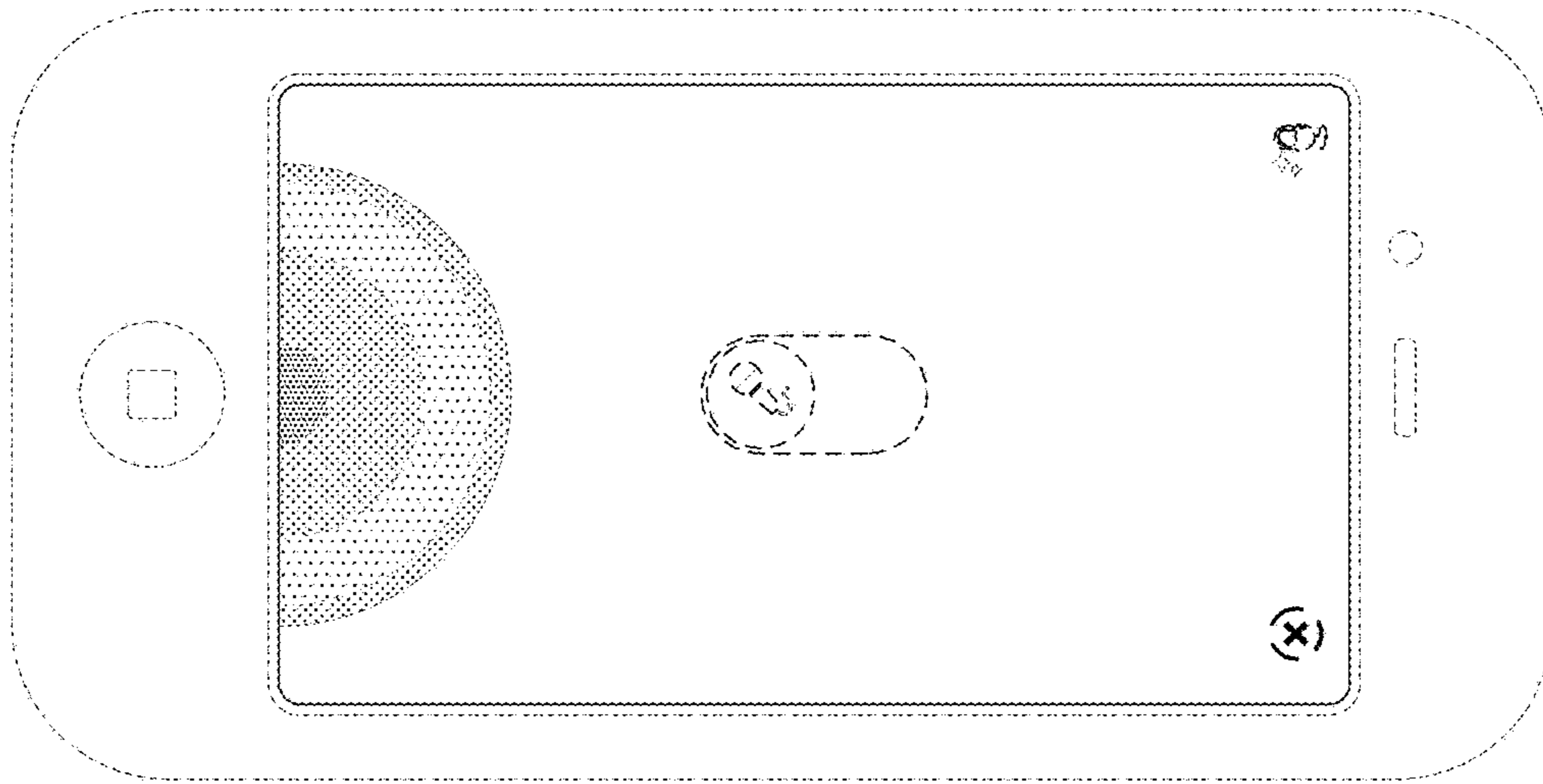


Fig. 9

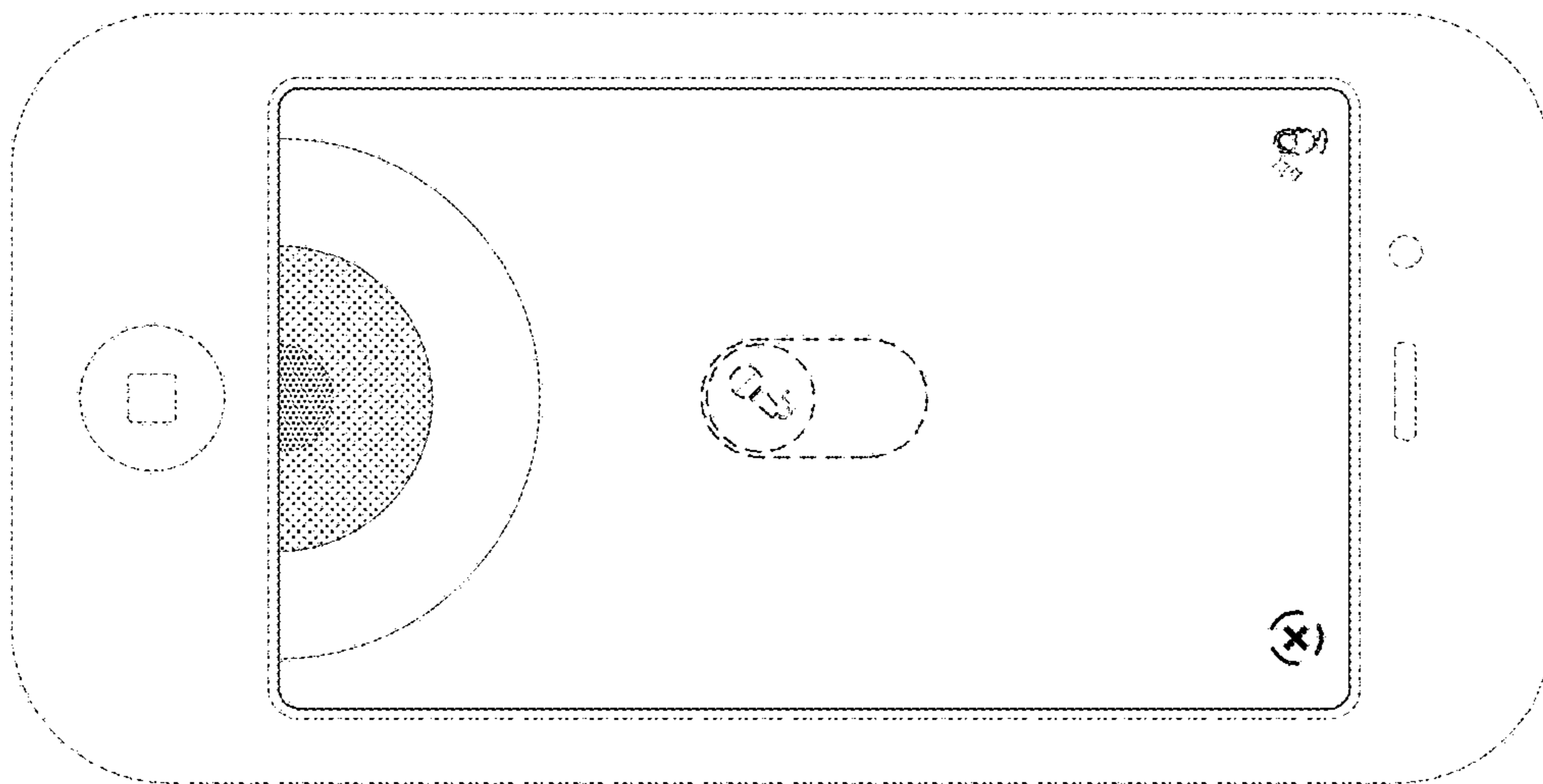


Fig. 8

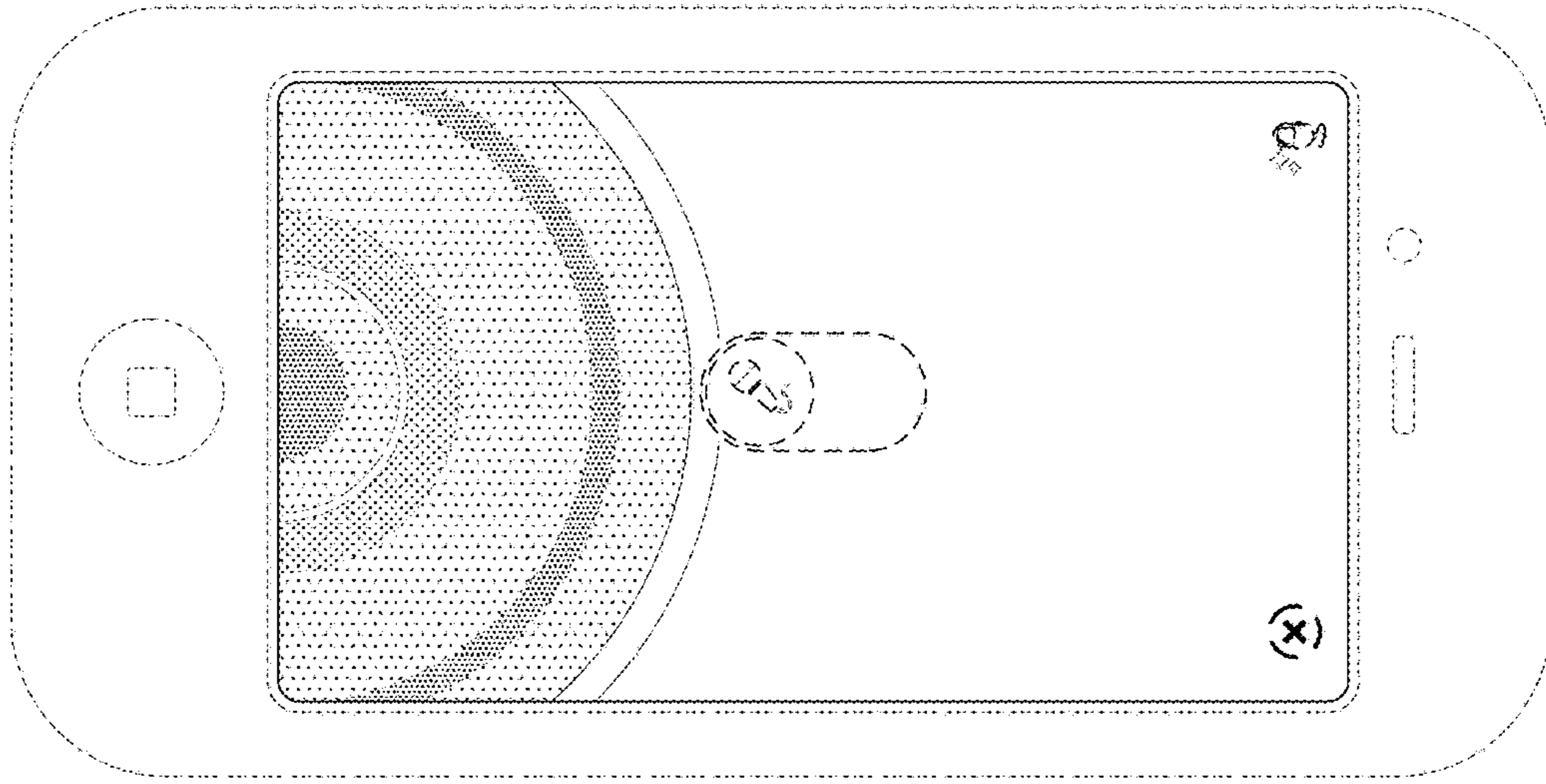


Fig. 10

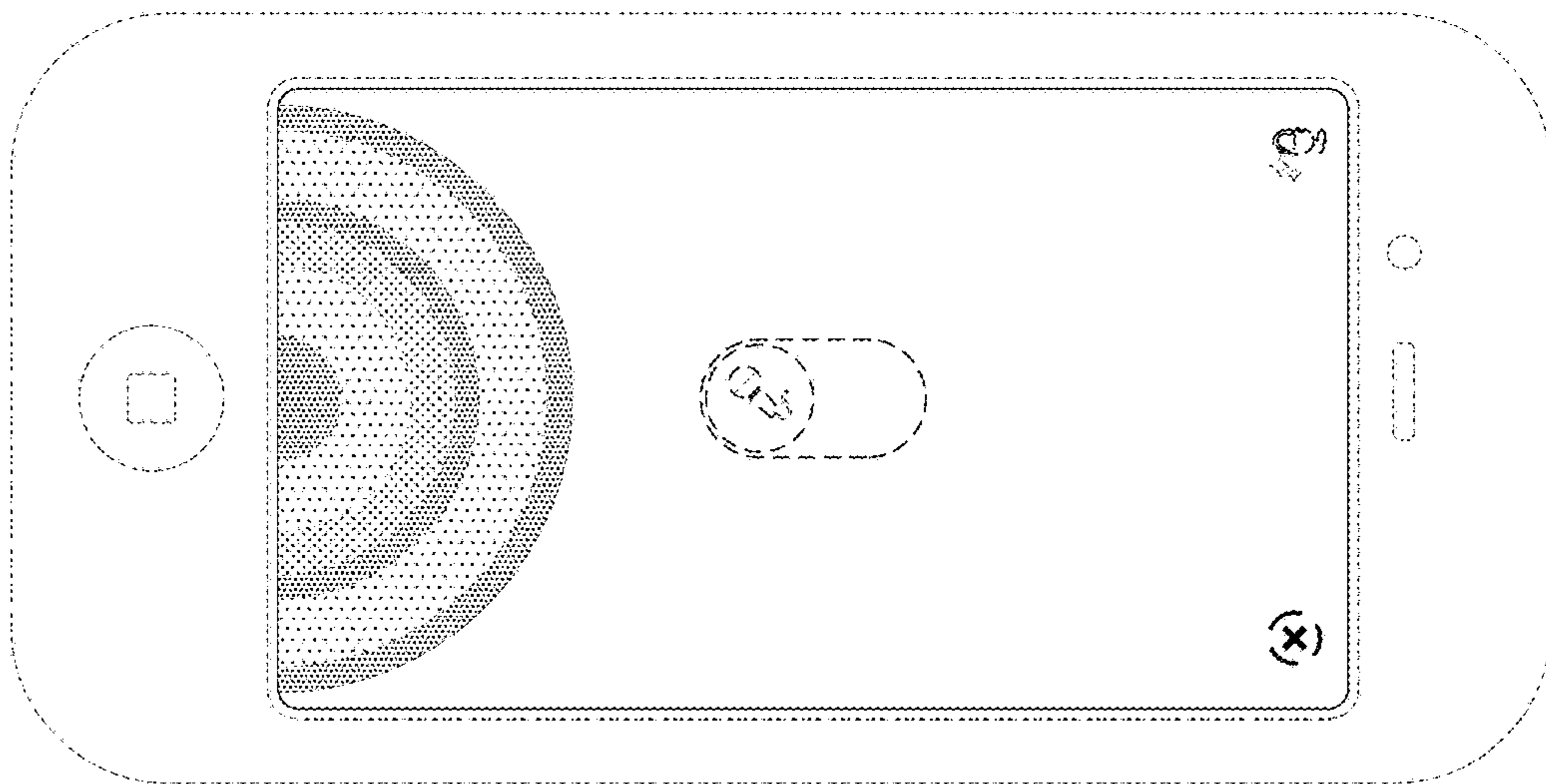


Fig. 11



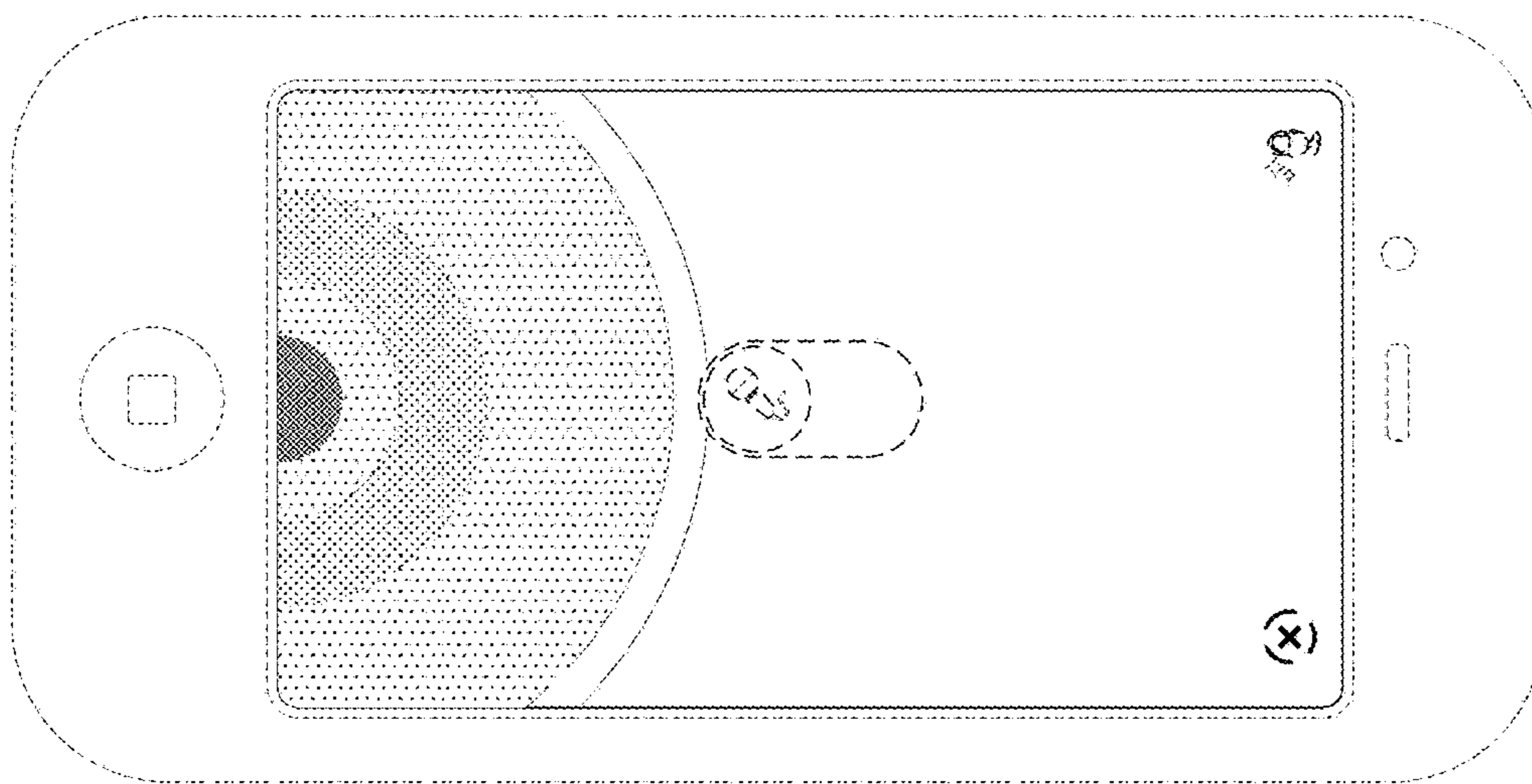


Fig. 12

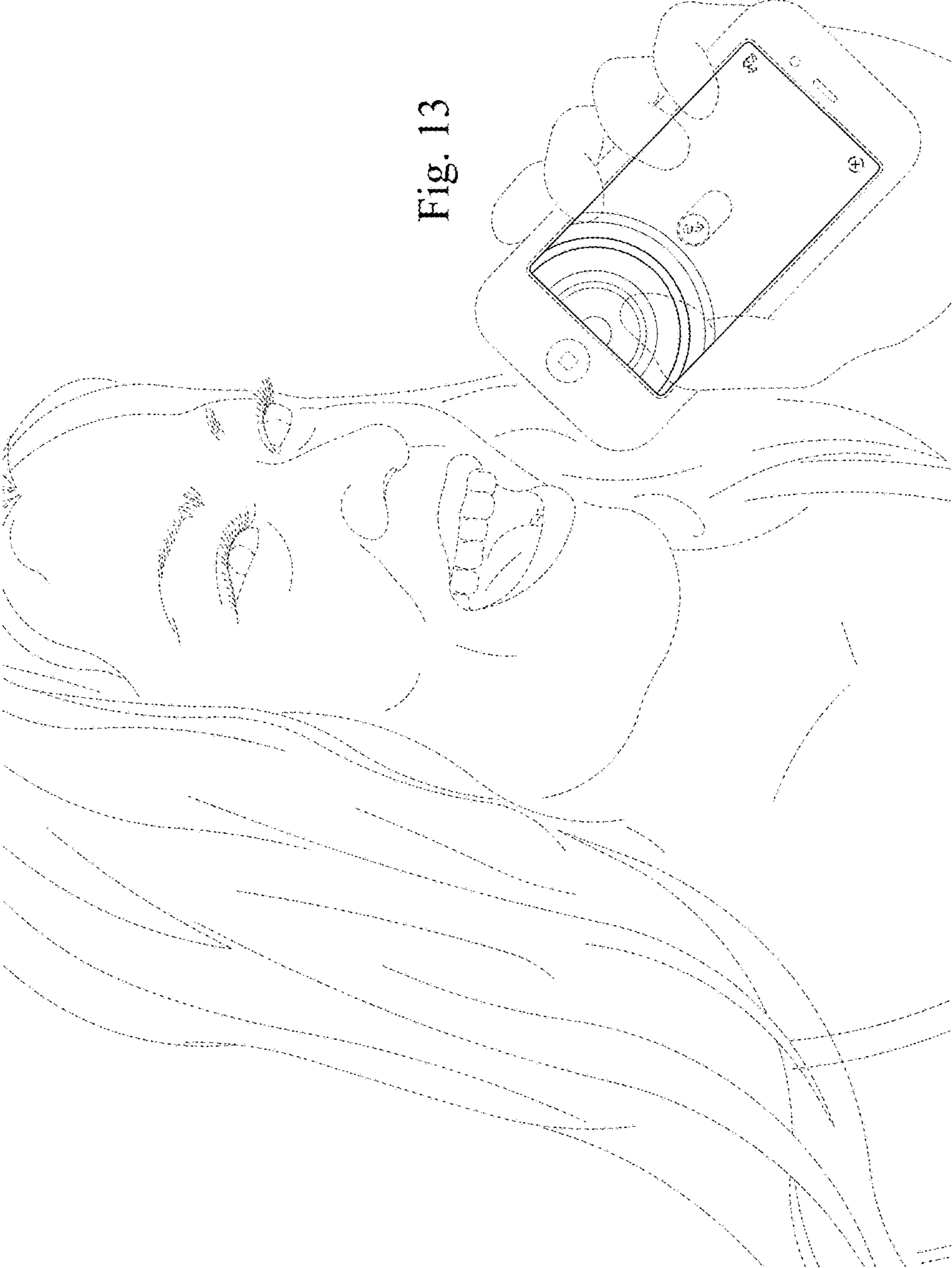


Fig. 13