



US00D800751S

(12) **United States Design Patent**
Hersh et al.

(10) **Patent No.:** **US D800,751 S**
(45) **Date of Patent:** **** Oct. 24, 2017**

(54) **DISPLAY SCREEN OR PORTION THEREOF WITH ANIMATED GRAPHICAL USER INTERFACE**

D737,325 S * 8/2015 Kim D14/489
D737,854 S * 9/2015 Kim D14/489
9,172,867 B2 * 10/2015 Yoon H04N 5/335
D753,132 S * 4/2016 Cuthbert D14/485

(Continued)

(71) Applicant: **Smule, Inc.**, San Francisco, CA (US)

(72) Inventors: **Benjamin Hersh**, San Francisco, CA (US); **John Shimmin**, San Francisco, CA (US); **Jeannie Yang**, San Francisco, CA (US); **Perry R. Cook**, Jacksonville, OR (US)

(73) Assignee: **Smule, Inc.**, San Francisco, CA (US)

(**) Term: **15 Years**

(21) Appl. No.: **29/566,062**

(22) Filed: **May 26, 2016**

Related U.S. Application Data

(63) Continuation-in-part of application No. 14/879,075, filed on Oct. 8, 2015, now abandoned.

(51) **LOC (10) Cl.** **14-04**

(52) **U.S. Cl.**
USPC **D14/486**

(58) **Field of Classification Search**
USPC D14/485-495
CPC .. G06F 3/0481; G06F 3/04817; G06F 3/0482;
G06F 3/0488; G06F 3/04883
See application file for complete search history.

(56) **References Cited**

U.S. PATENT DOCUMENTS

5,784,056 A * 7/1998 Nielsen G06F 3/04812
715/839
D626,131 S * 10/2010 Kruzeniski D14/485
D650,793 S * 12/2011 Impas D14/489
D704,220 S * 5/2014 Lim D14/492
D726,221 S * 4/2015 Gomez D14/492
D727,938 S * 4/2015 Lee D14/486
D728,599 S * 5/2015 Lee D14/486

OTHER PUBLICATIONS

Sing! Karaoke by Smule on Apple TV, by Smule, published Oct. 29, 2015, youtube.com [online], [retrived Jun. 7, 2017]. Available from internet
<URL:https://www.youtube.com/watch?v=9VXGC3oGwxQ>.*

Primary Examiner — Cathron Brooks

Assistant Examiner — Andrew Nemeth

(74) *Attorney, Agent, or Firm* — Haynes and Boone, LLP

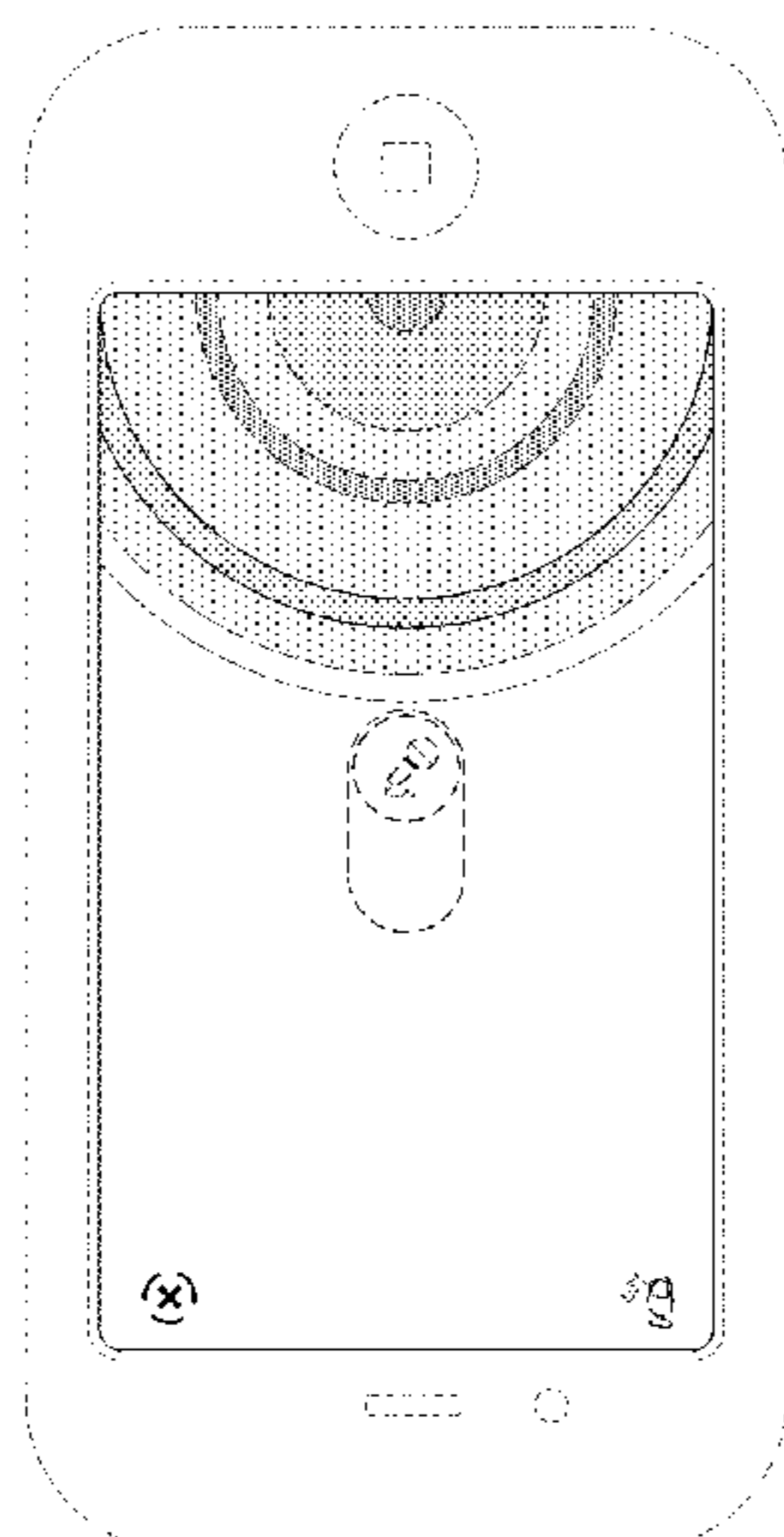
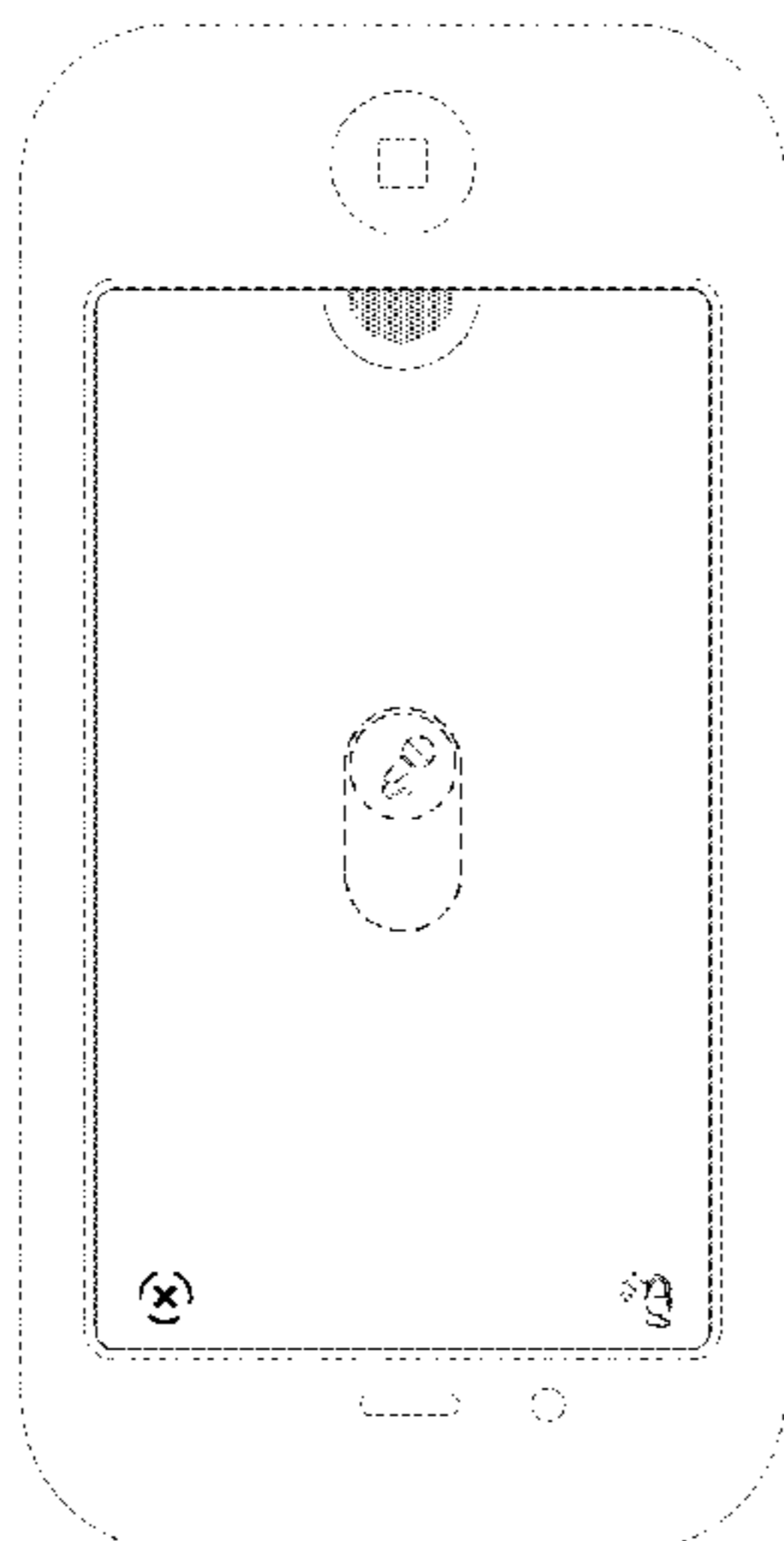
(57) **CLAIM**

The ornamental design for an display screen or portion thereof with animated graphical user interface, as shown and described.

DESCRIPTION

FIG. 1 is a front view of a first image of an display screen or portion thereof with animated graphical user interface showing our new design;
FIG. 2 is a front view of a second image thereof;
FIG. 3 is a front view of a third image thereof;
FIG. 4 is a front view of a fourth image thereof;
FIG. 5 is a front view of a fifth image thereof;
FIG. 6 is a front view of a sixth image thereof; and,
FIG. 7 is a perspective view of the sixth image thereof.
The broken line showing of an electronic device and display screen illustrate environmental structure and the article of manufacture, respectively. The broken line showing of the centralized microphone icon with surrounding slider, the 'X within a circle' icon, and the 'microphone and stars' icon, illustrate portions of the graphical user interface. The broken line showing of a person in FIG. 7 illustrates environment. None of the broken lines form part of the claimed design.

1 Claim, 4 Drawing Sheets



(56)

References Cited

U.S. PATENT DOCUMENTS

D756,401 S * 5/2016 Soldner D14/488
D759,061 S * 6/2016 Sahoo D14/485
D761,299 S * 7/2016 Rajendran D14/488
D762,655 S * 8/2016 Kai D14/485
D762,673 S * 8/2016 Seo D14/485
D763,271 S * 8/2016 Everette D14/485
D763,861 S * 8/2016 Kaasalainen G06F 3/04817
D14/485
D763,869 S * 8/2016 Wang D14/485
D771,064 S * 11/2016 Nuovo D14/485
D776,680 S * 1/2017 Bae D14/485
D778,923 S * 2/2017 Zhou D14/485
D780,772 S * 3/2017 Kim D14/485
D780,781 S * 3/2017 Ding D14/486
D783,633 S * 4/2017 Oh D14/485
D783,652 S * 4/2017 Guan D14/486
D784,363 S * 4/2017 Fleming D14/485
D787,527 S * 5/2017 Wilberding D14/485
2010/0318366 A1 * 12/2010 Sullivan H04M 1/72519
704/275
2013/0174094 A1 * 7/2013 Heo G06F 3/04883
715/835
2015/0188720 A1 * 7/2015 Winter H04L 12/1813
715/753
2015/0193196 A1 * 7/2015 Lin G06F 3/165
715/716
2016/0011850 A1 * 1/2016 Sheen H04S 7/301
715/709
2017/0123755 A1 * 5/2017 Hersh G06F 3/165

* cited by examiner

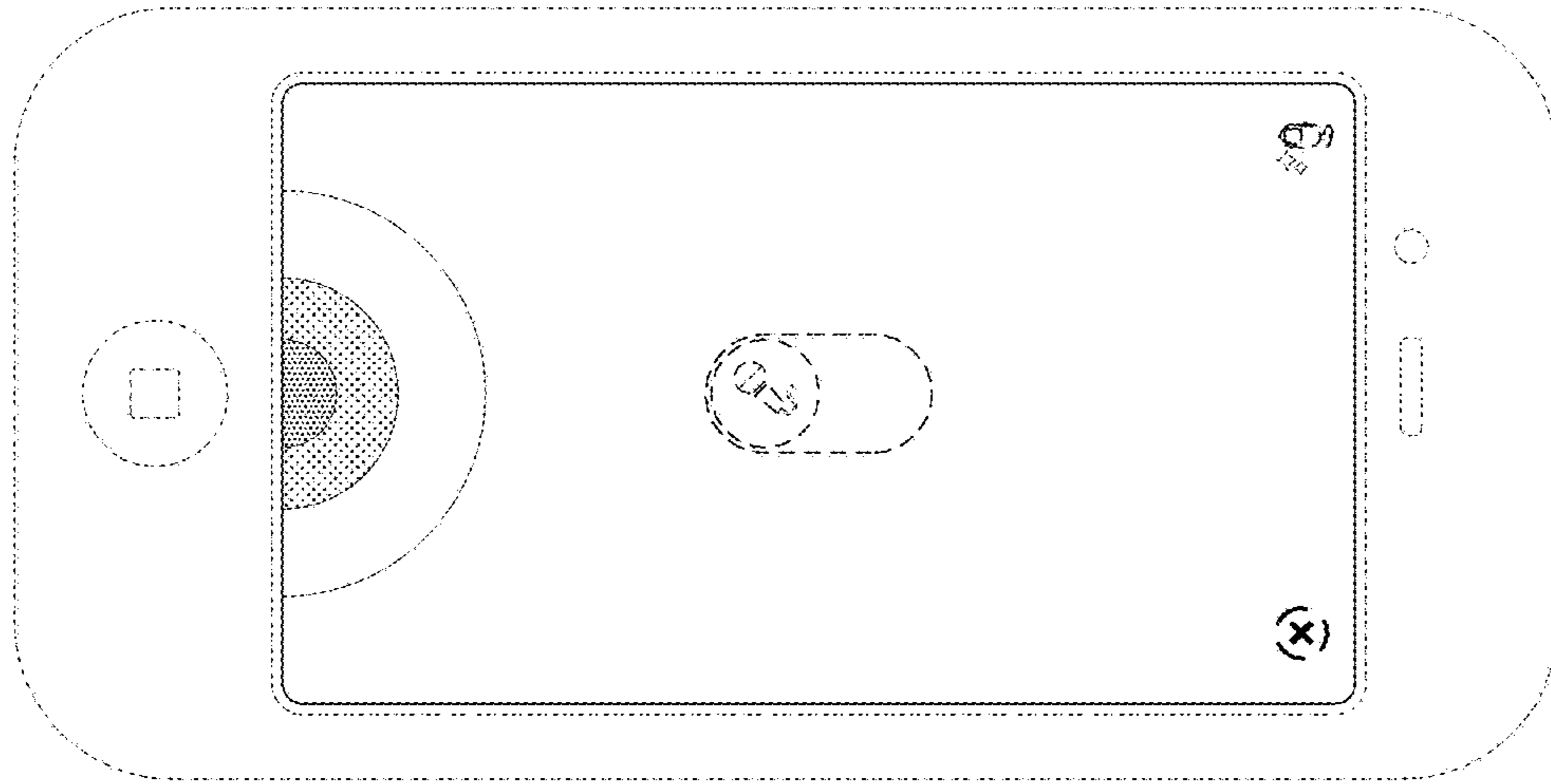


Fig. 1

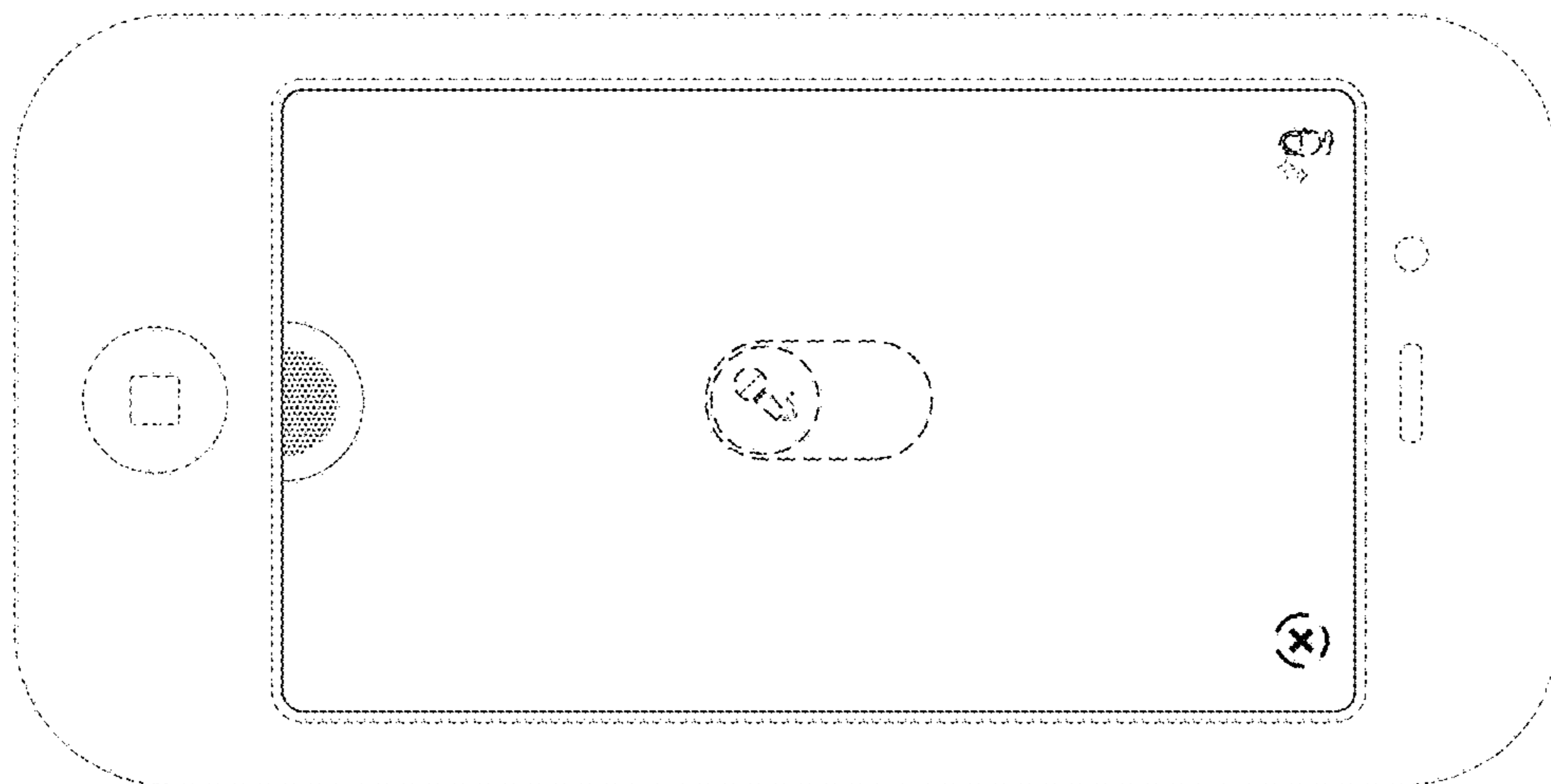


Fig. 2

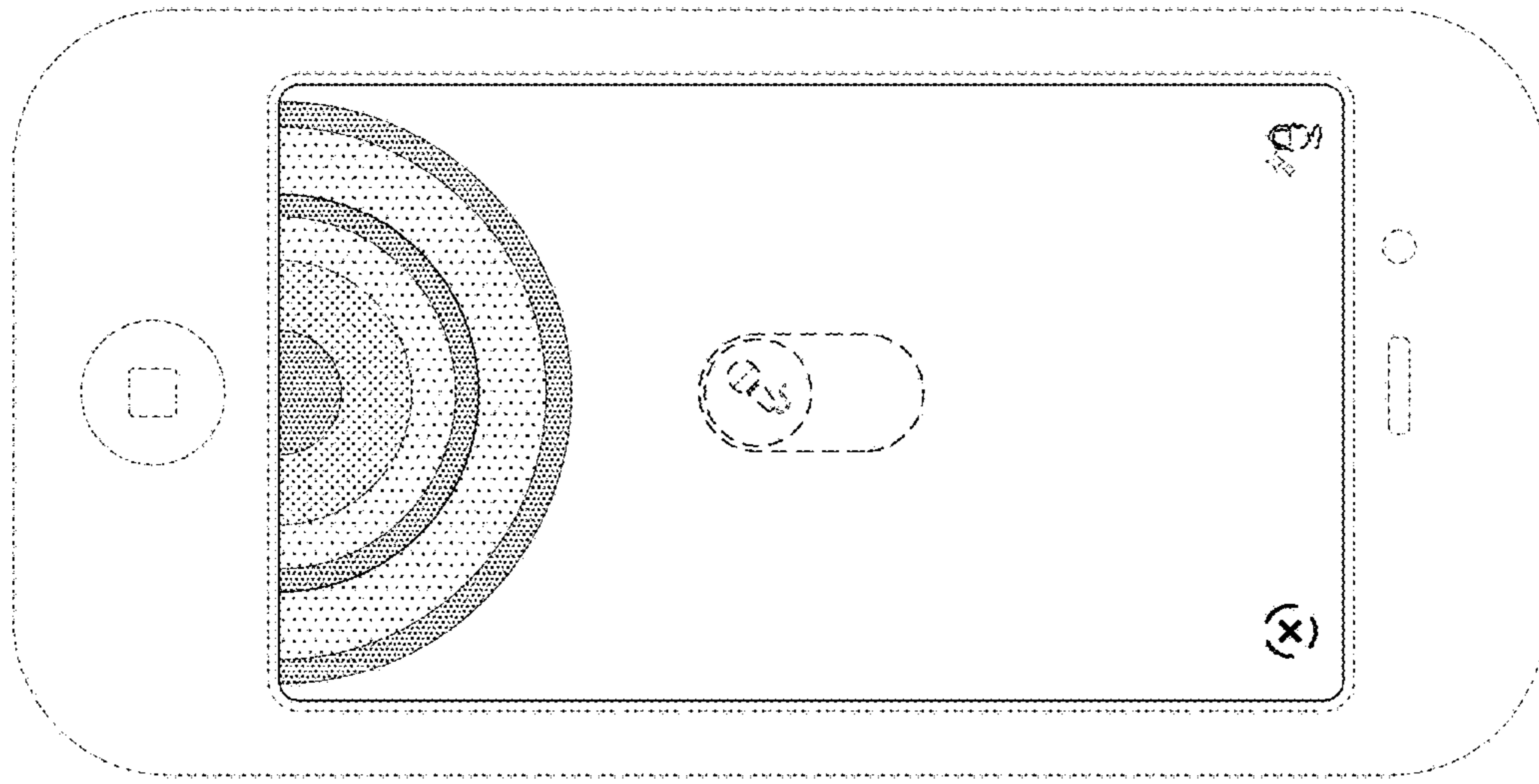


Fig. 4

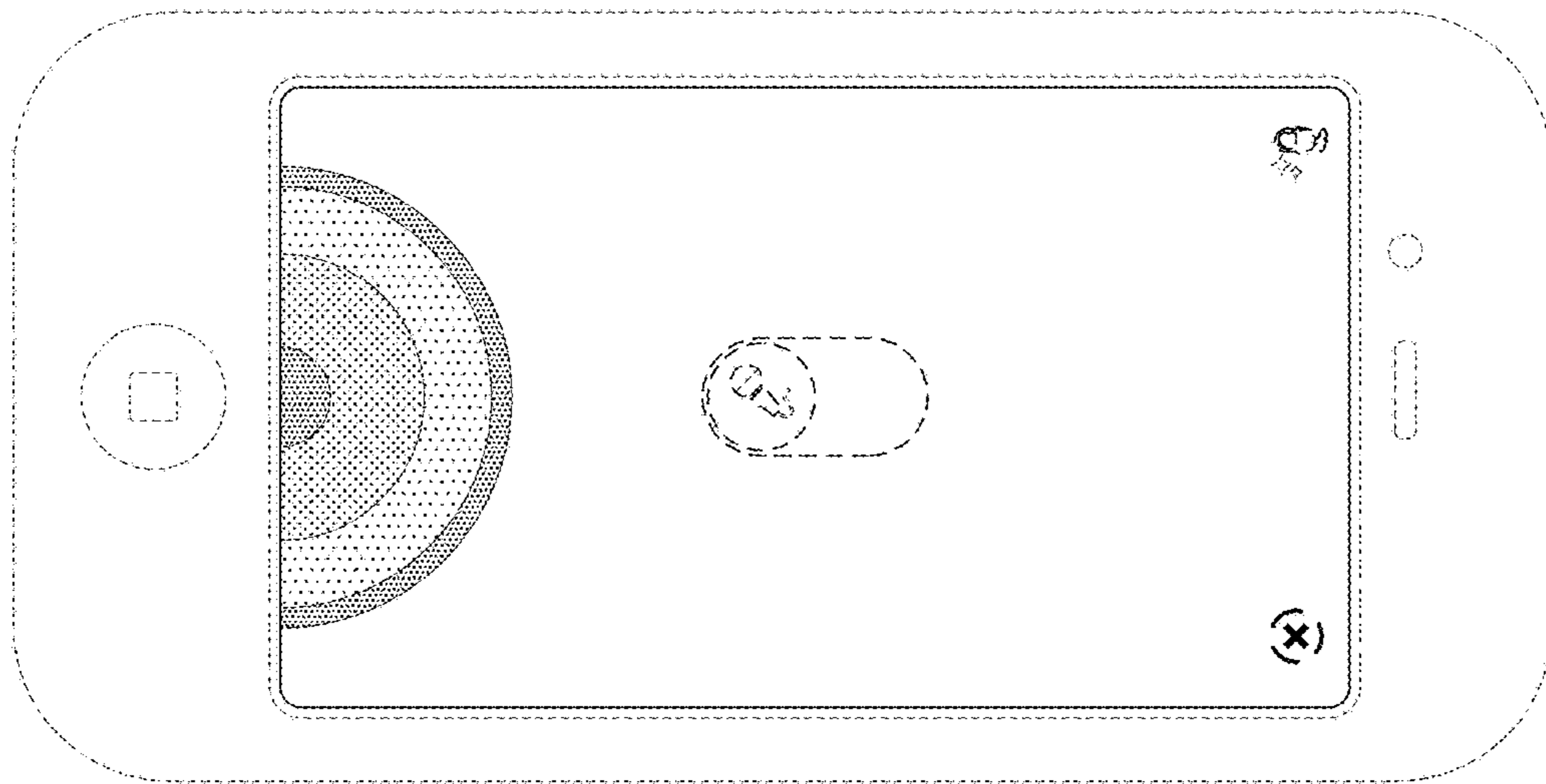


Fig. 3

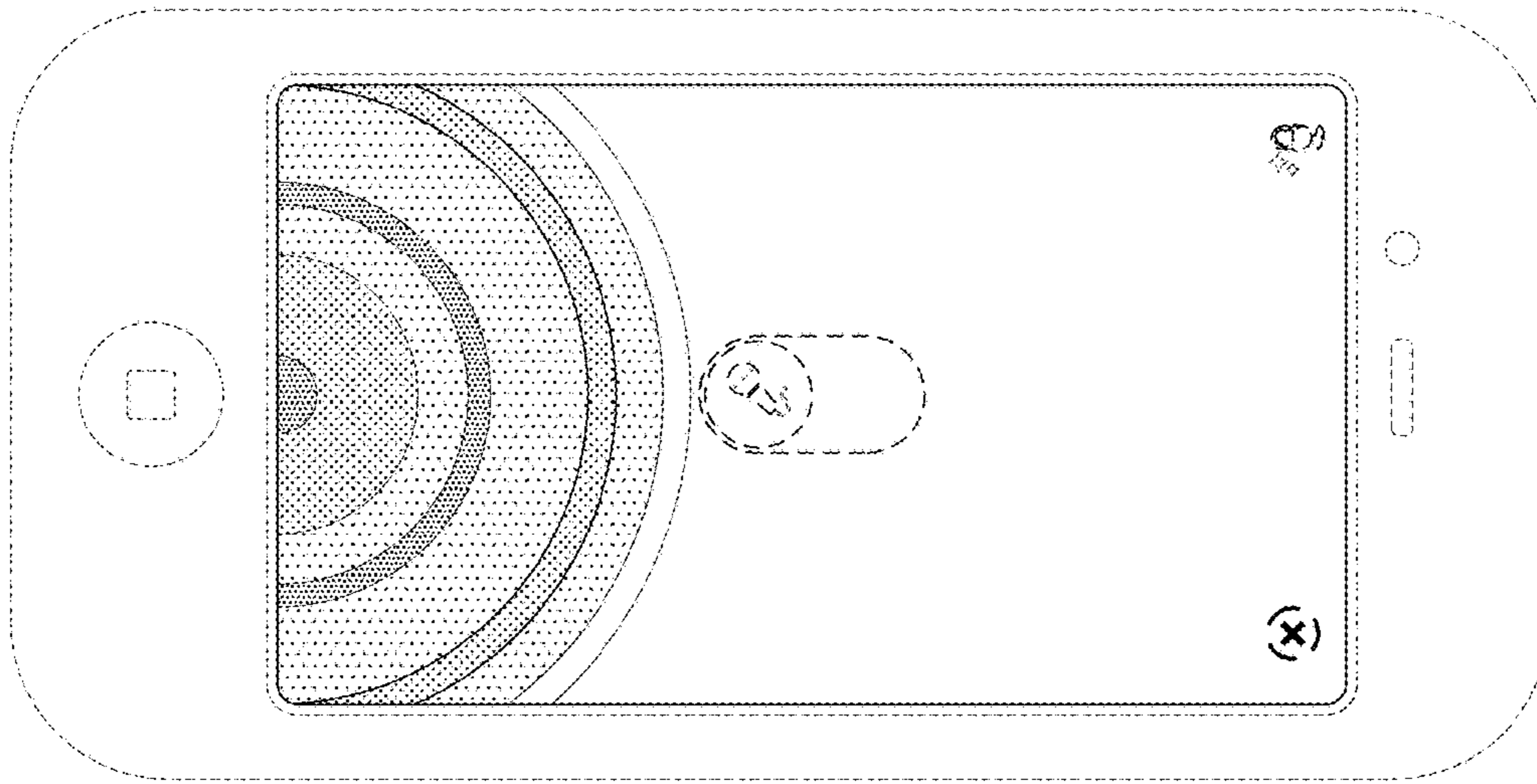


Fig. 5

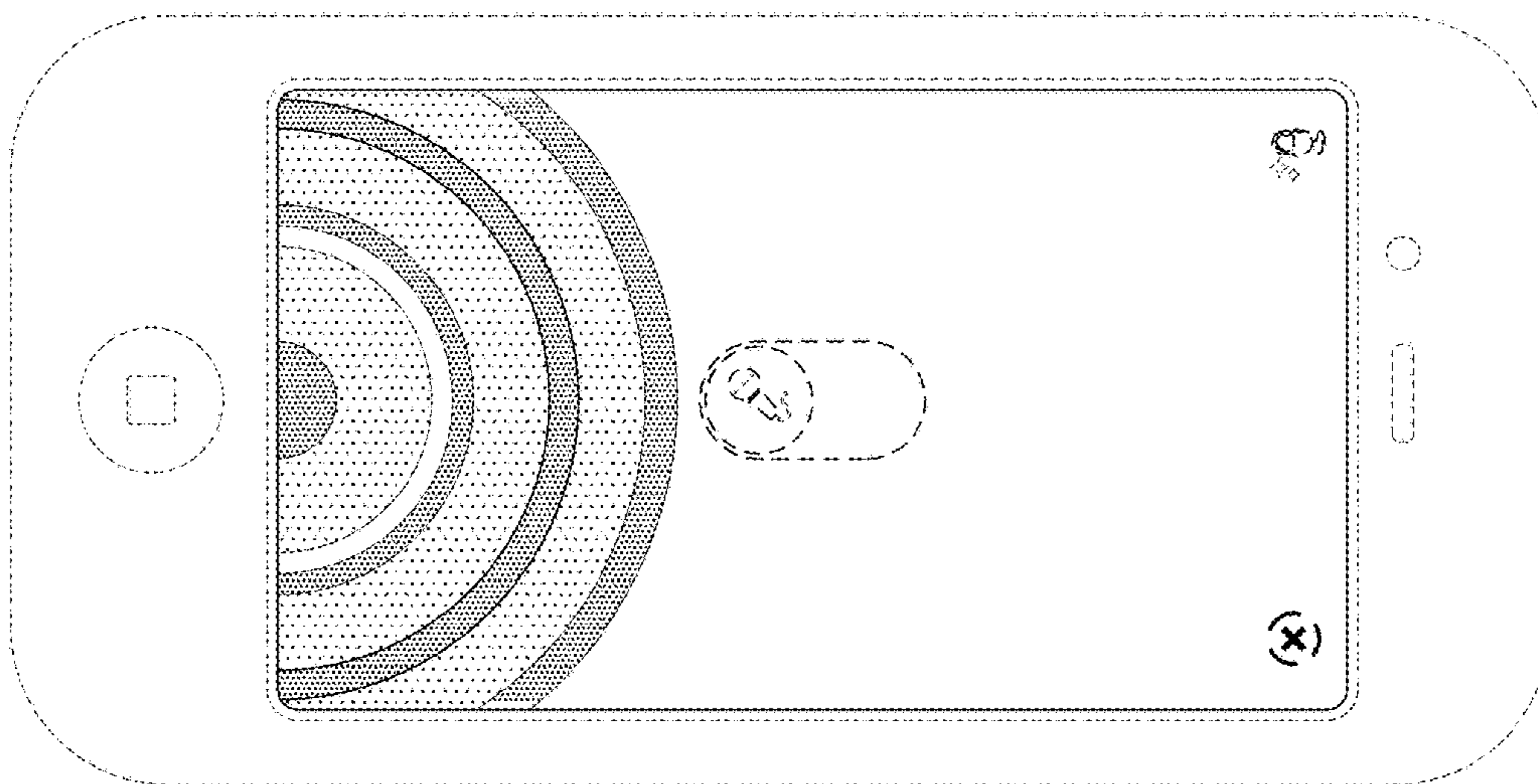


Fig. 6

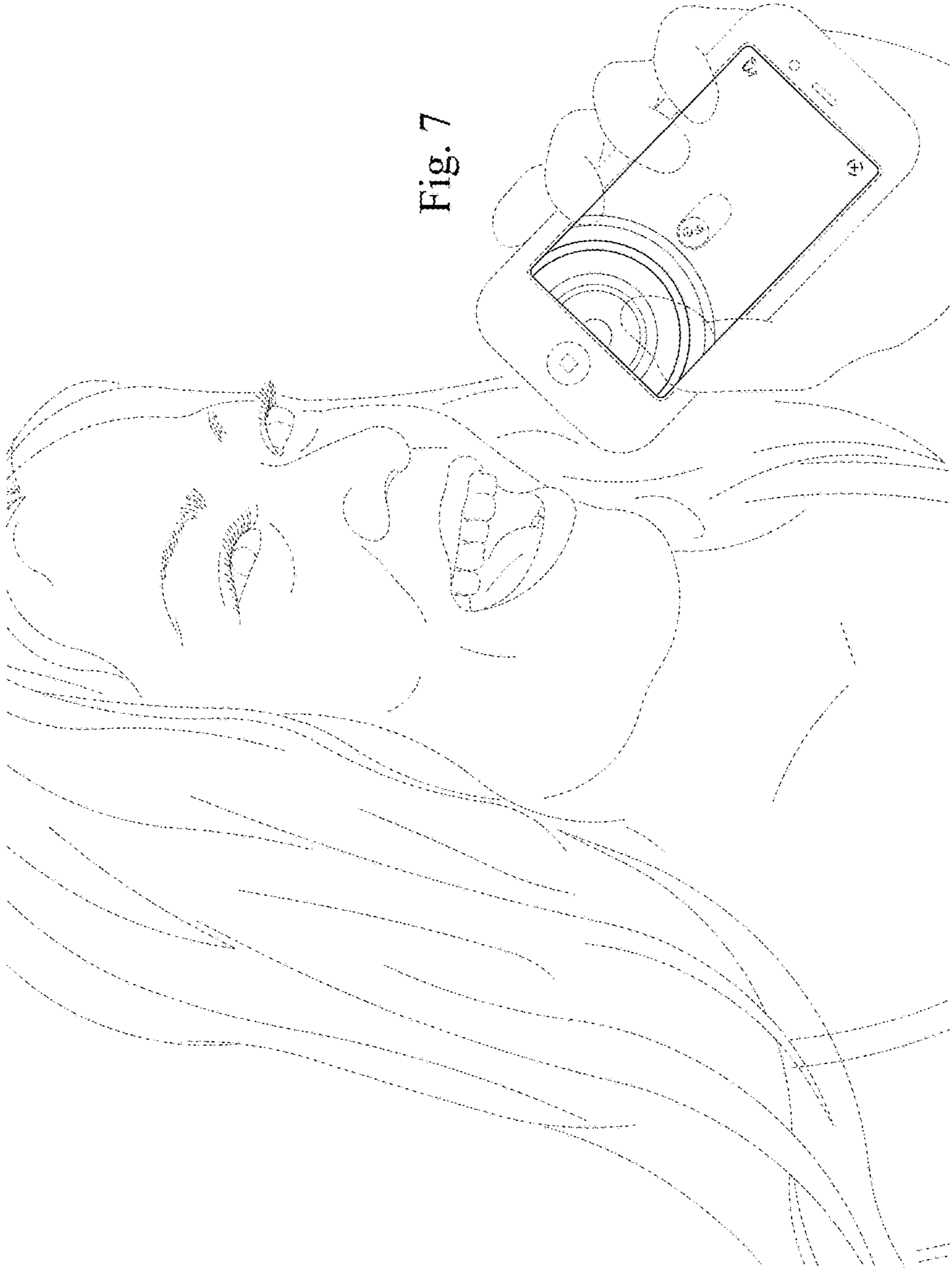


Fig. 7