

US00D800746S

(12) **United States Design Patent** (10) **Patent No.:** **US D800,746 S**
Dascola et al. (45) **Date of Patent:** **** Oct. 24, 2017**

(54) **DISPLAY SCREEN OR PORTION THEREOF WITH GRAPHICAL USER INTERFACE**

(71) Applicant: **Branch Banking and Trust Company**,
Winston-Salem, NC (US)

(72) Inventors: **Michael Anthony Dascola**, Raleigh,
NC (US); **Christopher Pearce**, Cary,
NC (US); **Matthew T. Spriggs**, Cary,
NC (US)

(73) Assignee: **Branch Banking and Trust Company**,
Winston-Salem, NC (US)

(**) Term: **15 Years**

(21) Appl. No.: **29/537,340**

(22) Filed: **Aug. 25, 2015**

(51) **LOC (10) Cl.** **14-04**

(52) **U.S. Cl.**
USPC **D14/486**

(58) **Field of Classification Search**
USPC D14/485-495; D19/1-5, 40; D20/10,
D20/11, 22-38; D10/102, 123; D16/101,
D16/134, 218, 220, 241, 341
CPC G06F 3/048-3/04897; G06F 17/30861;
G06F 17/246; G06F 17/3005; G06F
19/34; G06F 17/24; G06F 17/211; G06F
17/30112; G06F 17/30716; G06F
17/30056; G06Q 30/0281; G06Q 50/01;
G06Q 10/06; G06Q 10/063114; G06Q
10/10; G06Q 10/109; G06Q 30/00; G06Q
30/02; G06Q 30/0269; G06Q 30/06;
H04L 51/32; H04N 1/00198

See application file for complete search history.

(56) **References Cited**

U.S. PATENT DOCUMENTS

6,670,535 B2 * 12/2003 Anderson G10H 1/34
84/443
D709,091 S * 7/2014 Kwon D14/489

D765,097 S * 8/2016 Harvell D14/485
D765,117 S * 8/2016 Joo D14/486
D769,325 S * 10/2016 Casalegno D14/492
D770,466 S * 11/2016 Liu D14/485
D772,896 S * 11/2016 Kim D14/485
D774,086 S * 12/2016 Montes D14/489
D786,894 S * 5/2017 Kim D14/485
D791,160 S * 7/2017 Jang D14/486
D791,186 S * 7/2017 Jung D14/493
2008/0276178 A1 * 11/2008 Fadell G02B 27/017
715/733
2013/0091468 A1 * 4/2013 Xie H04M 1/67
715/835
2015/0128049 A1 * 5/2015 Block G06F 3/1423
715/728

(Continued)

OTHER PUBLICATIONS

How to Lock Individual Apps on Android Using Hexlock, by
Dennis, makeuseof.com [online], published Jun. 22, 2015,
[retrieved May 19, 2017], retrieved from the Internet <URL:http://
www.makeuseof.com/tag/lock-individual-apps-android-using-
hexlock/>.*

(Continued)

Primary Examiner — Cathron Brooks
Assistant Examiner — Ian Whitmore
(74) *Attorney, Agent, or Firm* — Kilpatrick Townsend &
Stockton LLP

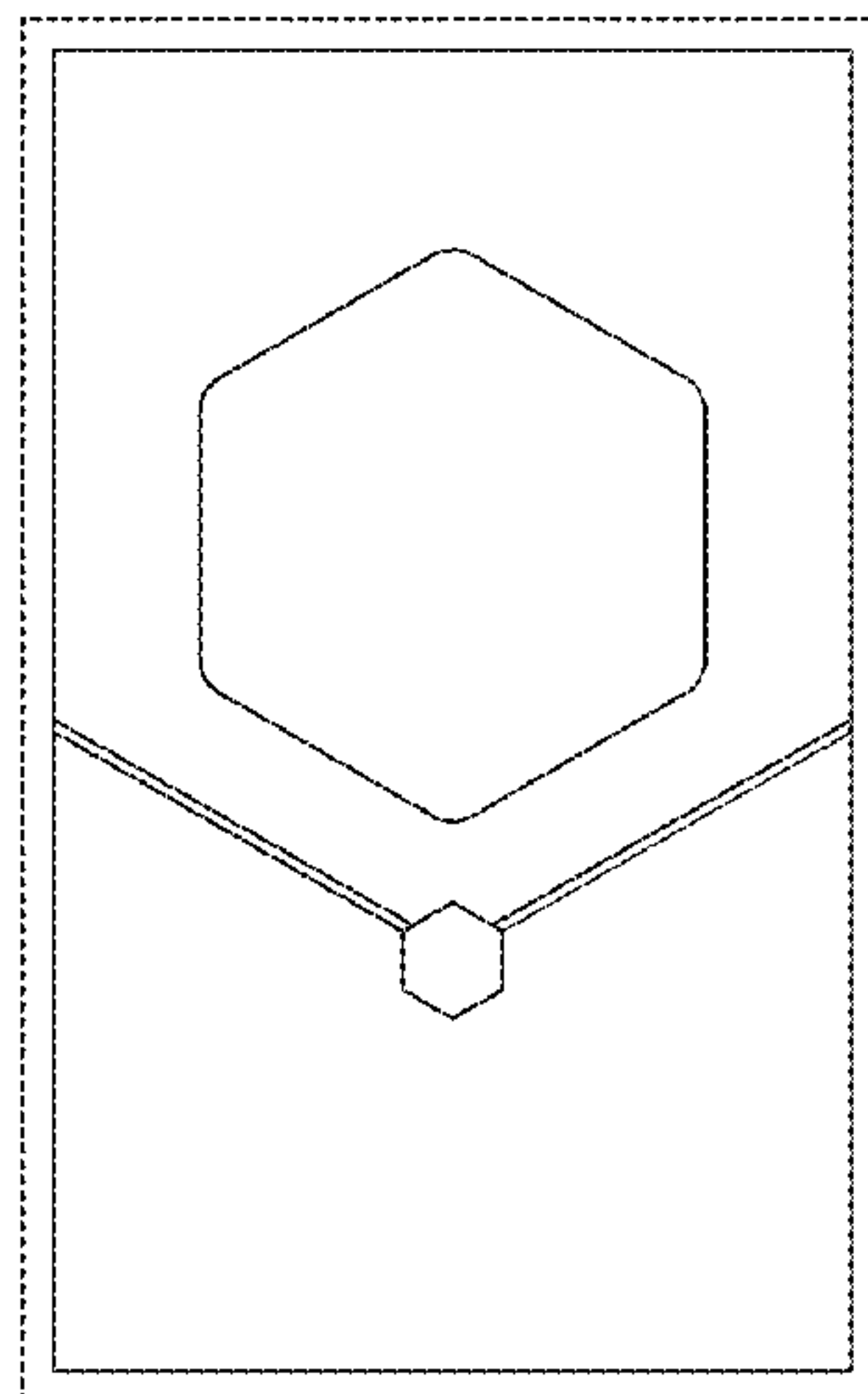
(57) **CLAIM**

The ornamental design for a display screen or portion
thereof with graphical user interface, as shown and
described.

DESCRIPTION

The sole FIGURE is a front view of a display screen or
portion thereof with graphical user interface.
The broken line perimeter illustrates a display screen portion
and forms no part of the claimed design.

1 Claim, 1 Drawing Sheet



(56)

References Cited

U.S. PATENT DOCUMENTS

2016/0170594 A1* 6/2016 Rosenberg H04L 67/10
715/753

OTHER PUBLICATIONS

Infographic Design Template, by Kulisek, dreamstime.com [online], last updated Jul. 9, 2016, [retrieved May 19, 2017], retrieved from the Internet <URL: <https://www.dreamstime.com/stock-illustration-infographic-design-template-modern-statistics-vector-hexagon-illustration-image57261688>>.*

Hexagon, by Cook, dribbble.com [online], published Mar. 24, 2016, [retrieved May 19, 2017], retrieved from the Internet <URL:<https://dribbble.com/shots/2611428-Hexagon>>.*

Trademark Registration No. 7337304, Mar. 29, 1982 (first use date), (Registrant) BMX Products, Inc. Corporation, California.*

* cited by examiner

