



US00D800737S

(12) **United States Design Patent**
Wang

(10) **Patent No.:** **US D800,737 S**
(45) **Date of Patent:** **** Oct. 24, 2017**

(54) **DISPLAY SCREEN OR PORTION THEREOF WITH ANIMATED GRAPHICAL USER INTERFACE**

6,775,659 B2 8/2004 Clifton-Bligh
D497,617 S 10/2004 Decombe
D522,559 S 6/2006 Naito

(Continued)

(71) Applicant: **Lenovo (Beijing) Co., Ltd.**, Haidian District, Beijing (CN)

Primary Examiner — Angela J Lee

(72) Inventor: **Renjie Wang**, Beijing (CN)

(74) *Attorney, Agent, or Firm* — Brinks Gilson & Lione; G. Peter Nichols

(73) Assignee: **LENOVO (BEIJING) CO., LTD.**, Beijing (CN)

(57) **CLAIM**

(**) Term: **15 Years**

The ornamental design for a display screen or portion thereof with animated graphical user interface, as shown and described.

(21) Appl. No.: **29/542,487**

(22) Filed: **Oct. 14, 2015**

DESCRIPTION

Related U.S. Application Data

(62) Division of application No. 29/445,483, filed on Feb. 12, 2013, now Pat. No. Des. 745,015.

FIG. 1 is the first image in a sequence for a display screen or portion thereof with animated graphical user interface showing my new design; FIG. 2 is the second image thereof; FIG. 3 is the third image thereof; FIG. 4 is the fourth image thereof; FIG. 5 is the fifth image thereof; FIG. 6 is another embodiment showing an alternate embodiment of a first image in a sequence for a display screen or portion thereof with animated graphical user interface showing my new design; FIG. 7 is the second image thereof; FIG. 8 is the third image thereof; FIG. 9 is the fourth image thereof; and, FIG. 10 is the fifth image thereof. The appearance of the animated user interface sequentially transitions between the images shown in FIGS. 1-5 and 6-10.

(30) **Foreign Application Priority Data**

Dec. 27, 2012 (CN) 2012 3 0656461

(51) **LOC (10) Cl.** **14-04**

(52) **U.S. Cl.**
USPC **D14/485**

(58) **Field of Classification Search**
USPC D14/485-495; 715/700, 703, 716, 727, 715/730, 771, 773, 778, 779, 780, 784, 715/785, 786, 787, 810, 821, 825, 828, 715/830, 833, 834, 835, 840, 847, 864, 715/973, 974

CPC G06F 3/0482; G06F 8/34; G06F 3/04817; G06F 3/048

See application file for complete search history.

The broken line showing the remainder of the display screen or a portion of the display screen in FIGS. 1-10 forms no part of the claimed design.

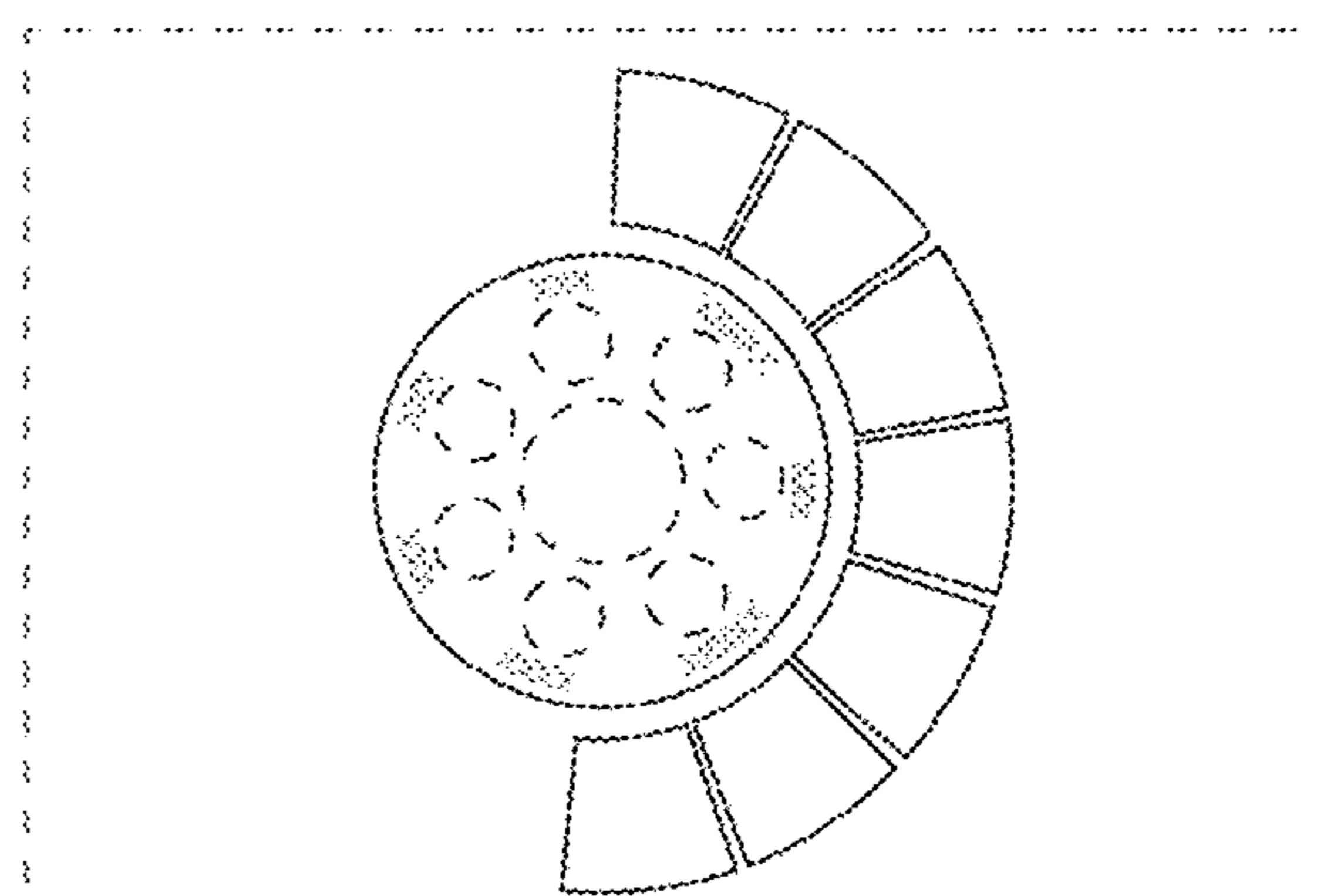
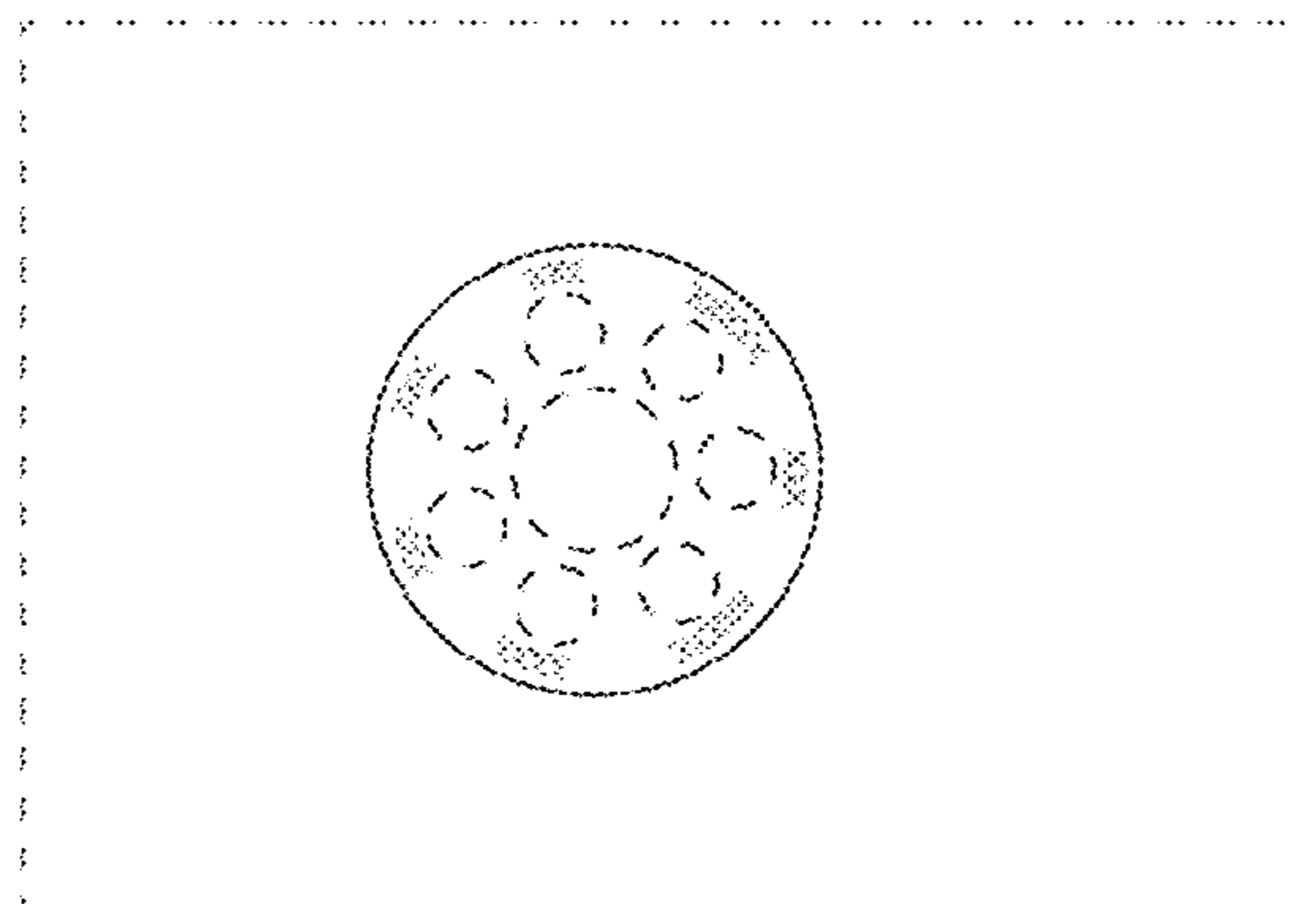
The subject matter shown in broken lines, for example, the "X"s in FIGS. 1-5 is for illustrative purposes only and forms no part of the claimed design.

(56) **References Cited**

U.S. PATENT DOCUMENTS

D396,455 S 7/1998 Bier
D461,822 S * 8/2002 Okuley D14/489

1 Claim, 5 Drawing Sheets



(56)

References Cited

U.S. PATENT DOCUMENTS

D544,495	S	*	6/2007	Evans	D14/488
D545,324	S		6/2007	Decombe		
D550,696	S		9/2007	Kortum		
D591,765	S	*	5/2009	Amacker	D14/488
D607,007	S		12/2009	Kocmick		
D607,009	S	*	12/2009	McEnaney	D14/489
D630,643	S		1/2011	Wilson		
D630,644	S		1/2011	Wilson		
D630,646	S		1/2011	Wilson		
D630,647	S	*	1/2011	Wilson	D14/487
D726,741	S	*	4/2015	Lee	D14/485
D745,015	S	*	12/2015	Wang	D14/485
D749,606	S	*	2/2016	Wang	D14/486
D764,500	S	*	8/2016	Wang	D14/485
D768,191	S	*	10/2016	Do	D14/489
D778,292	S	*	2/2017	Mochizuki	D14/485
D781,876	S	*	3/2017	Wang	D14/485
D783,673	S	*	4/2017	Xu	D14/489
2009/0183100	A1		7/2009	Eom		
2010/0251181	A1		9/2010	Lal		
2012/0079430	A1		3/2012	Kwahk		

* cited by examiner

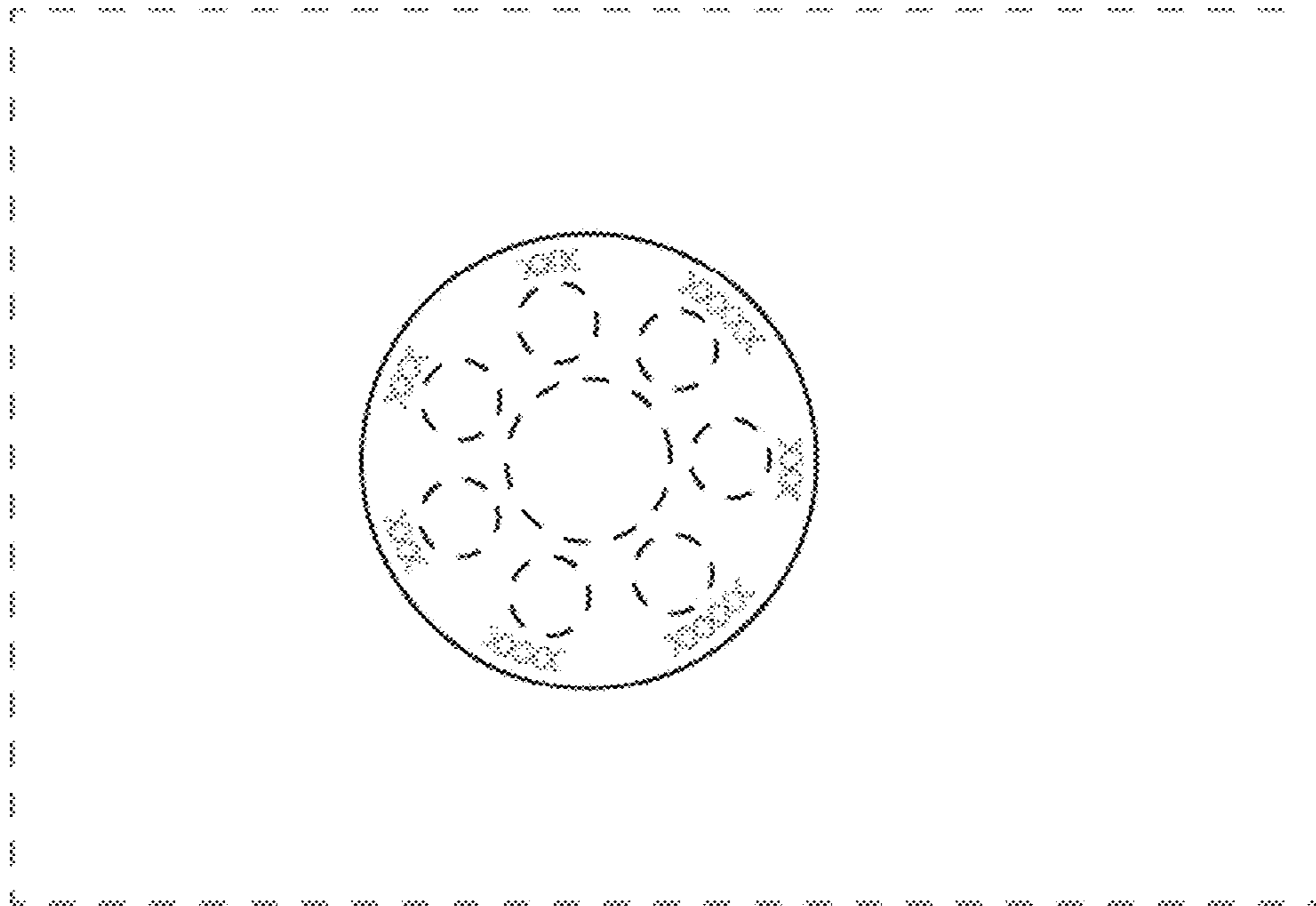


Fig. 1

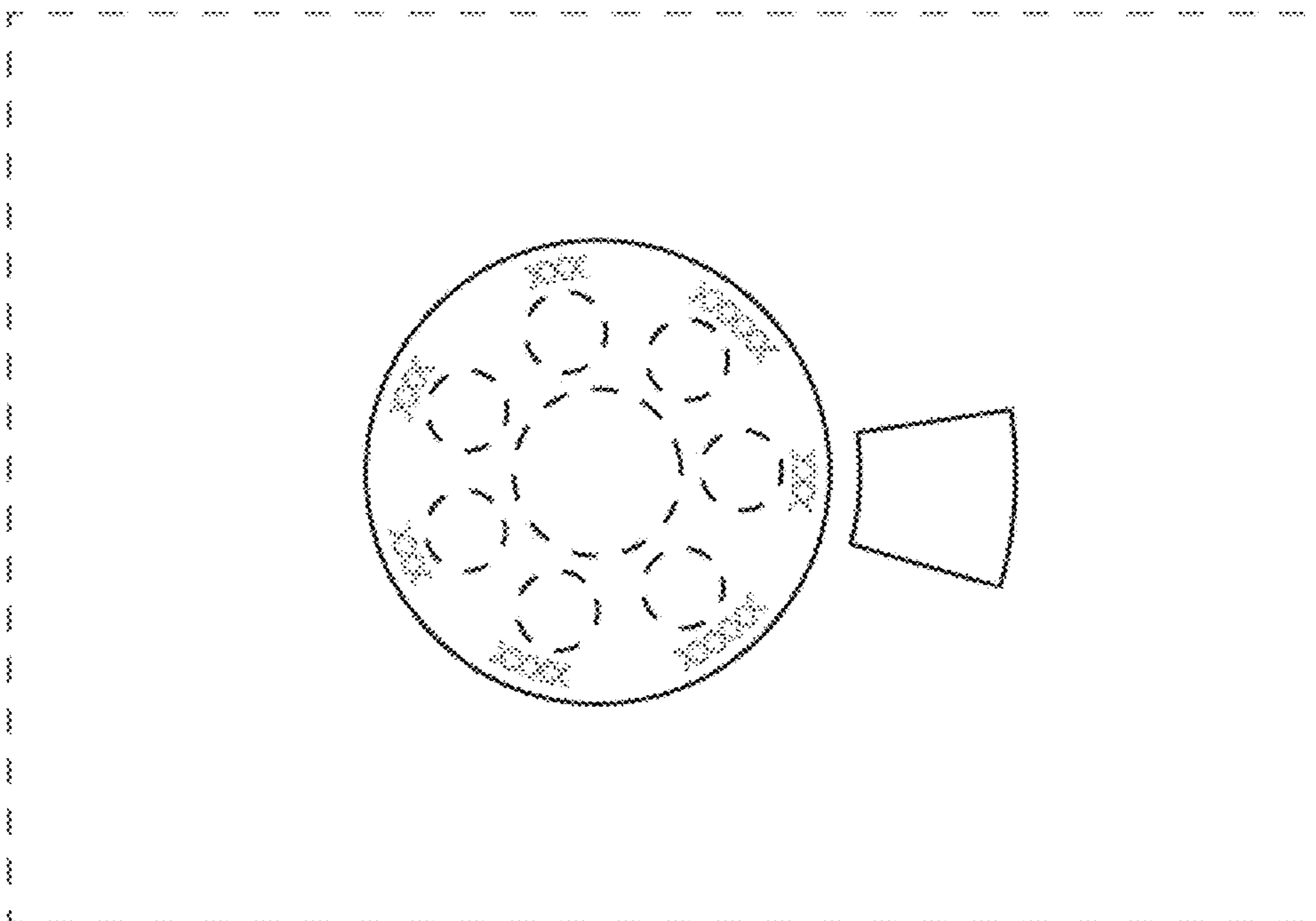


Fig. 2

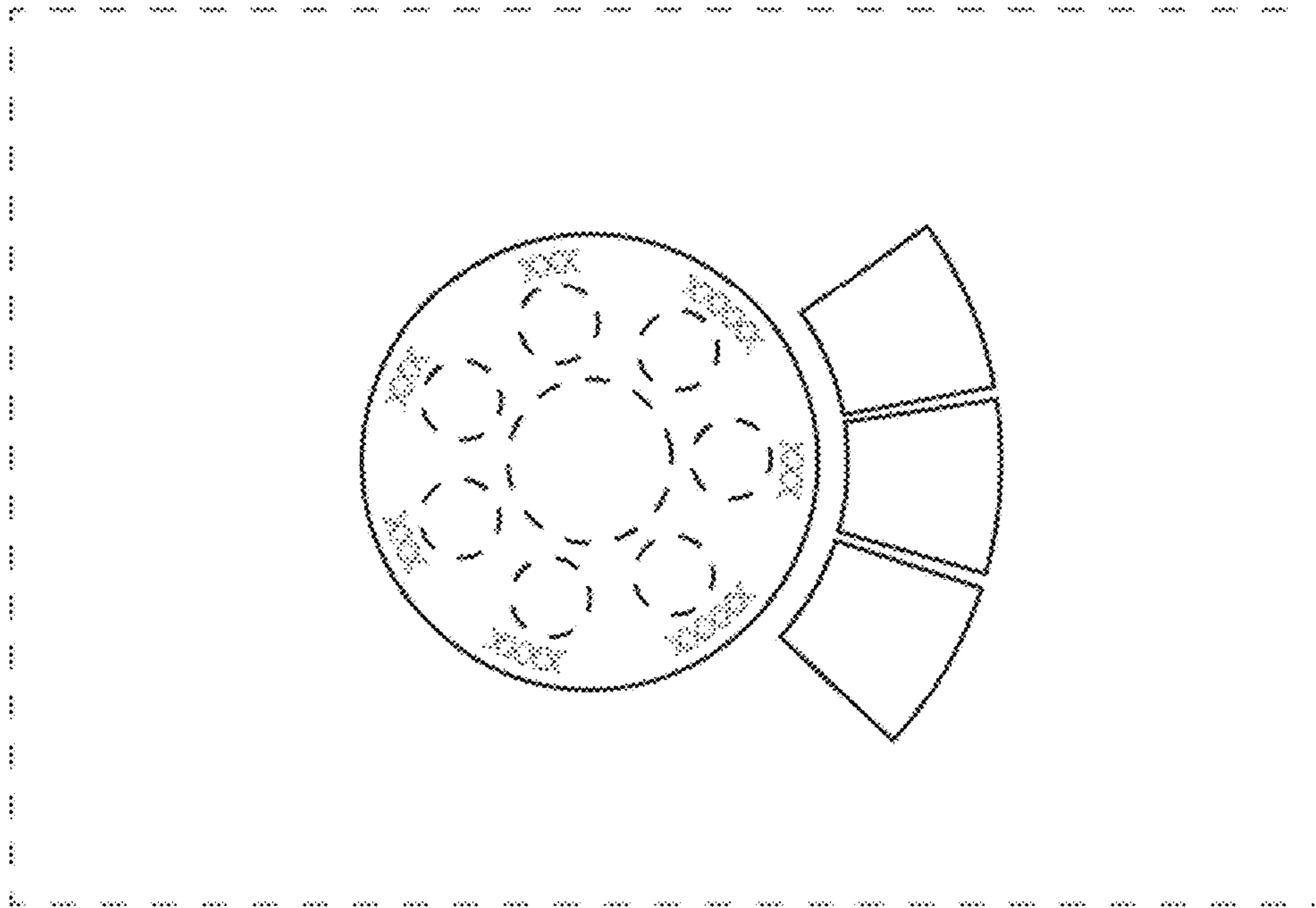


Fig. 3

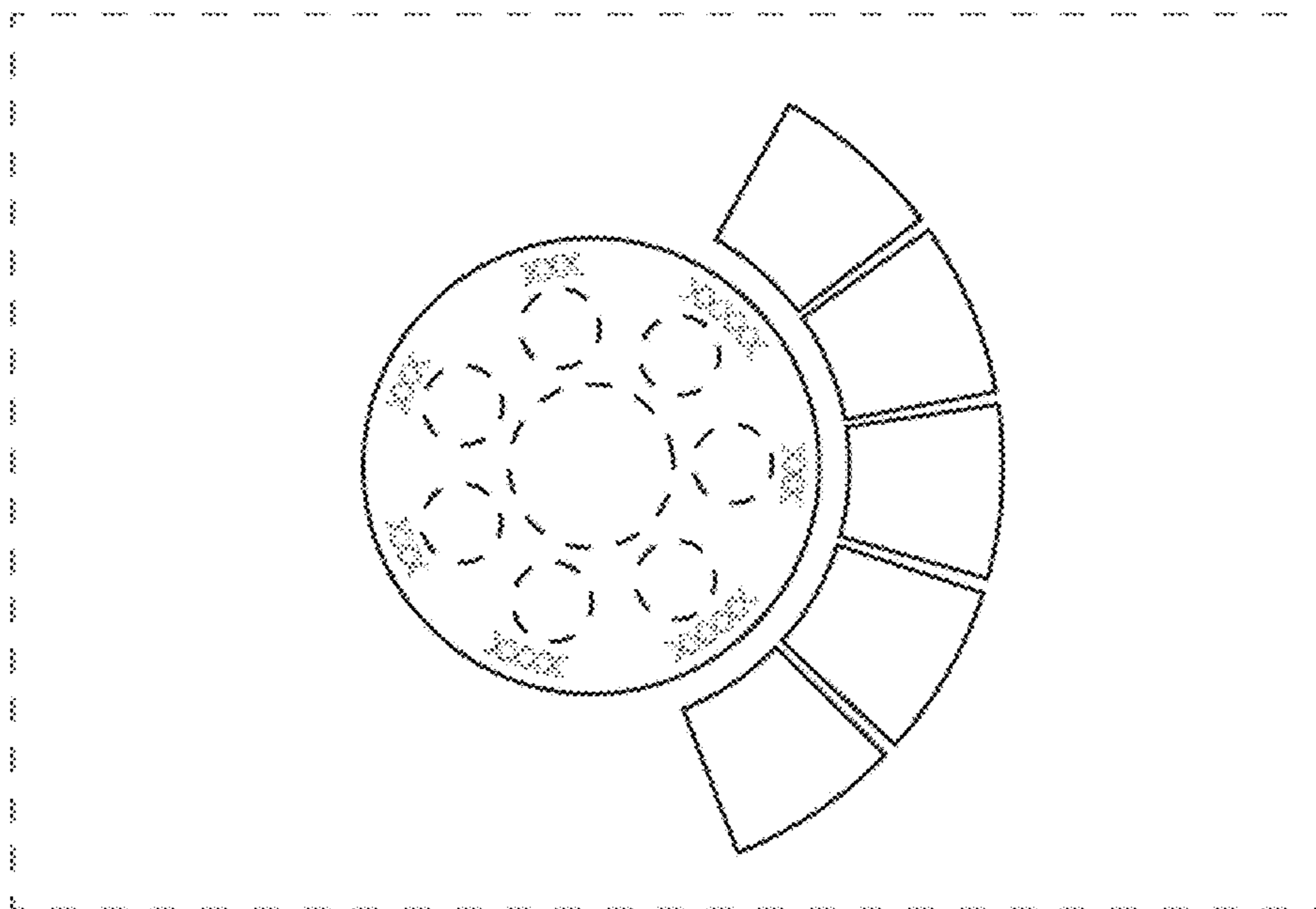


Fig. 4

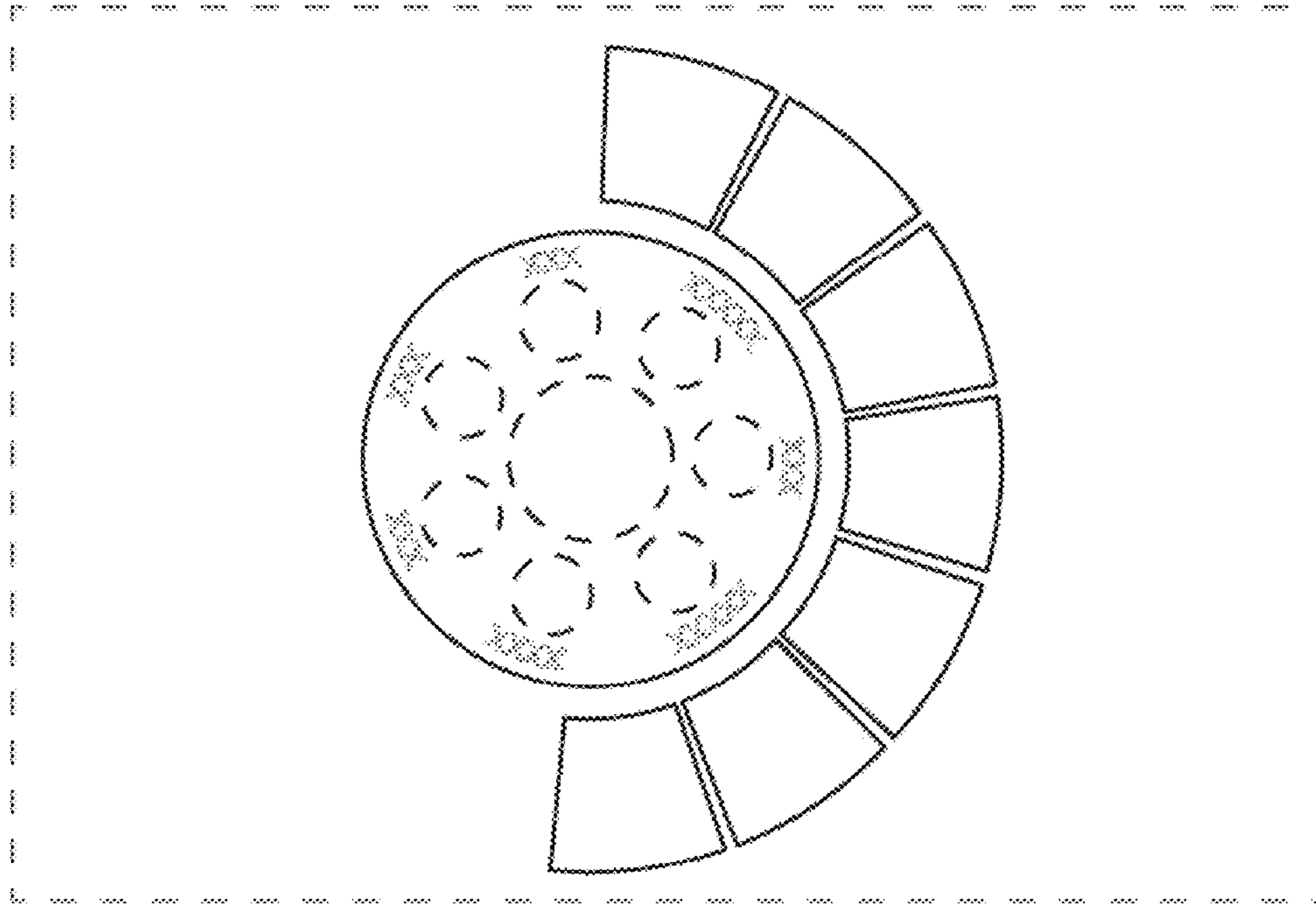


Fig. 5

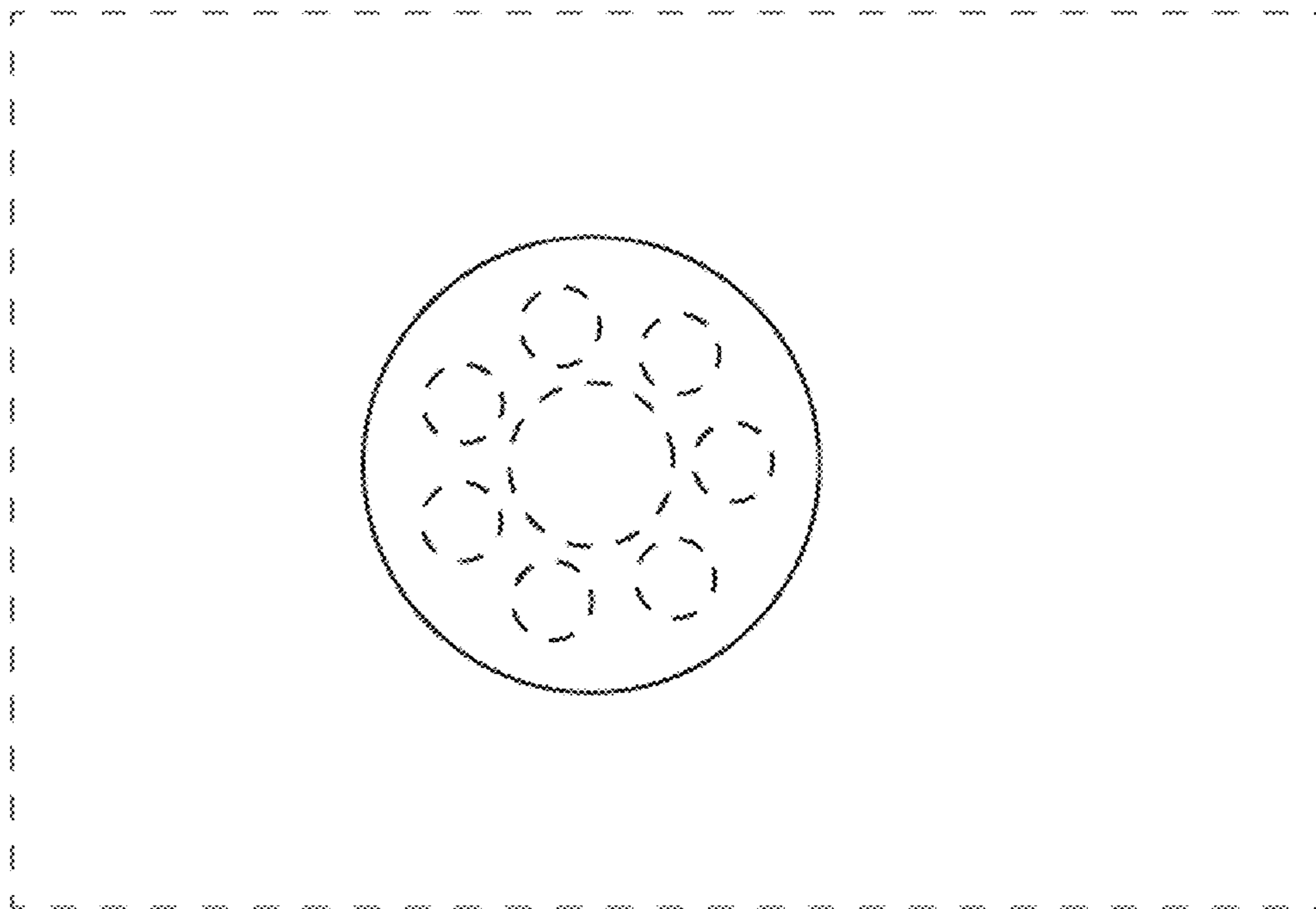


Fig. 6

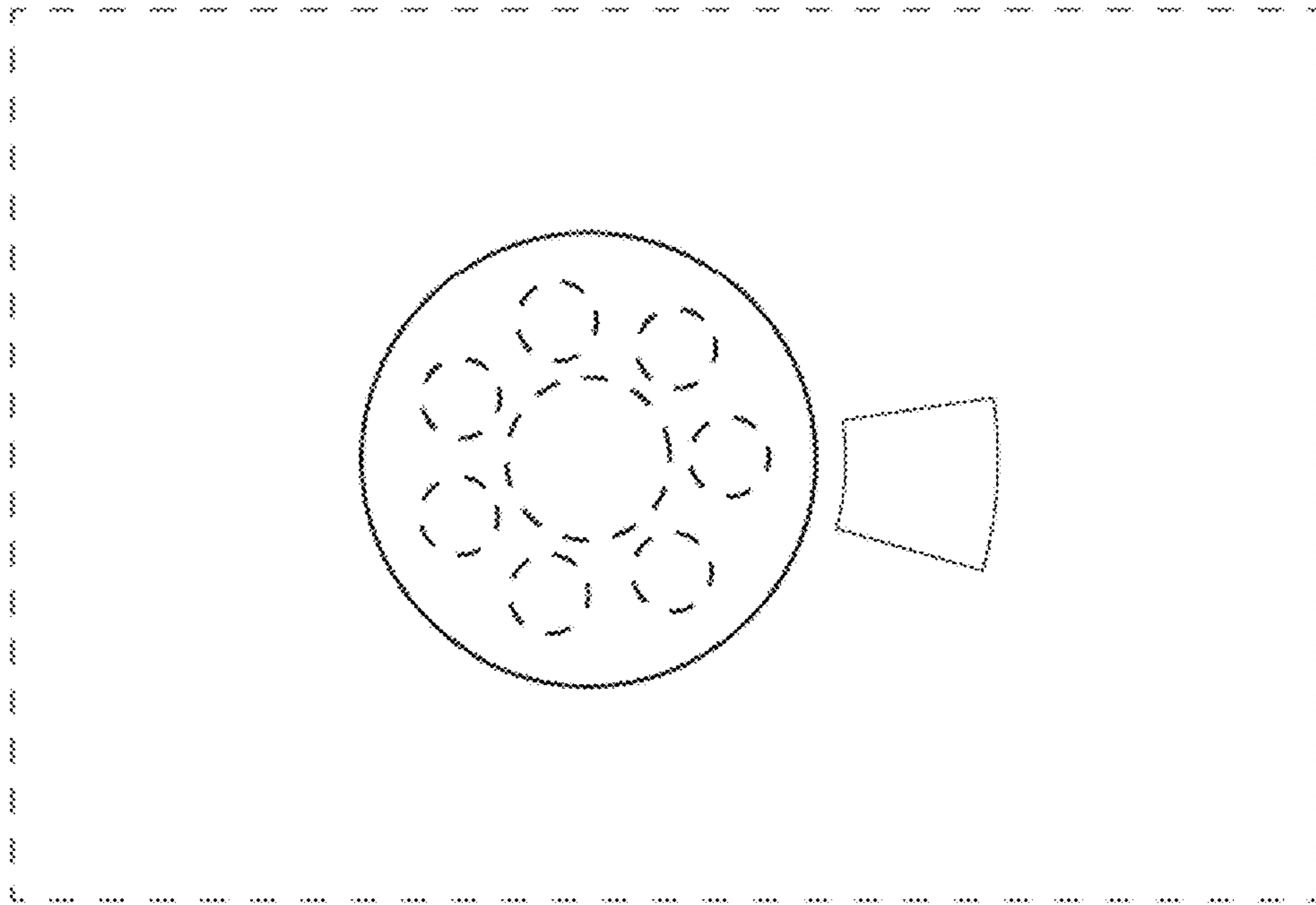


Fig. 7

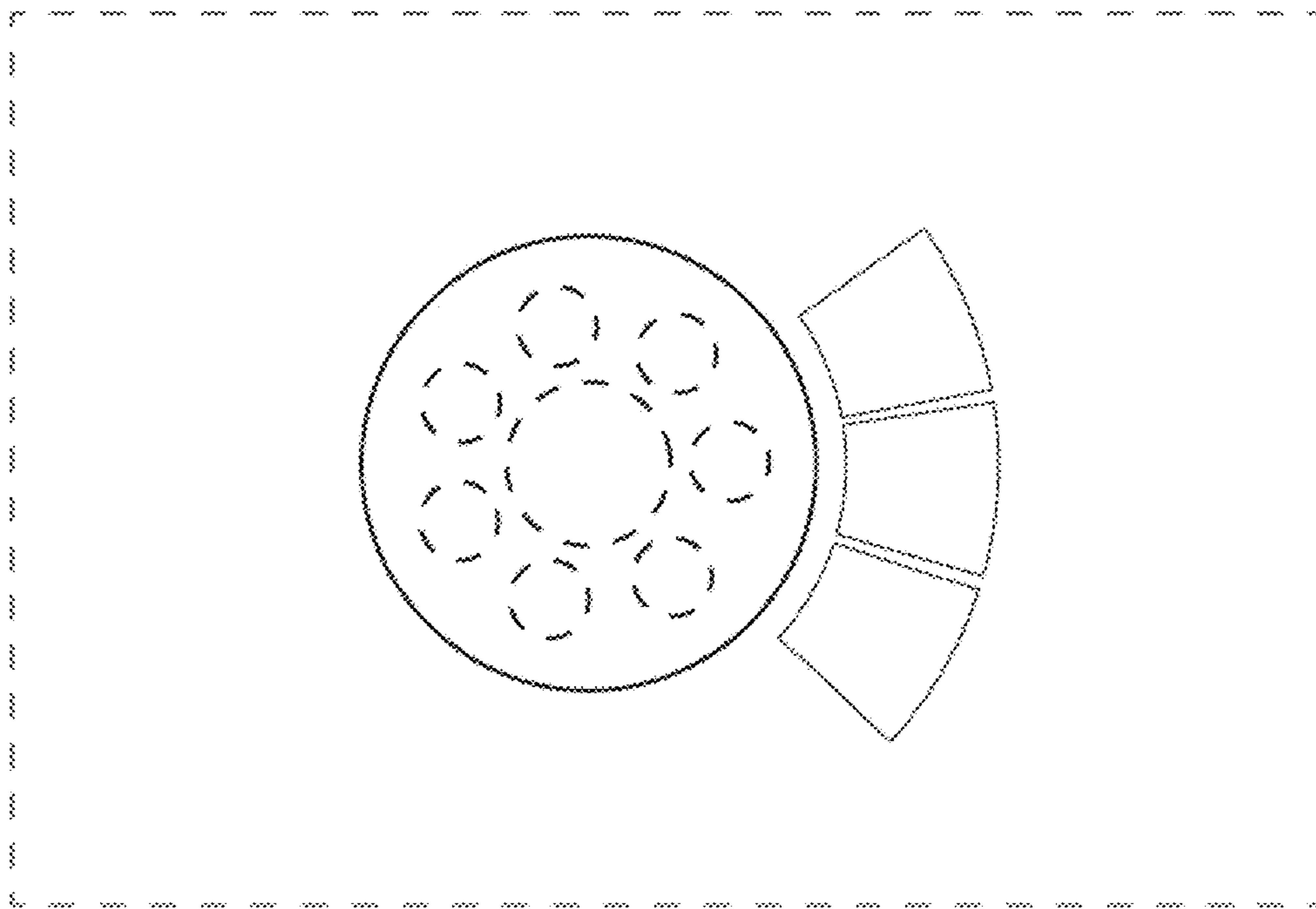


Fig. 8

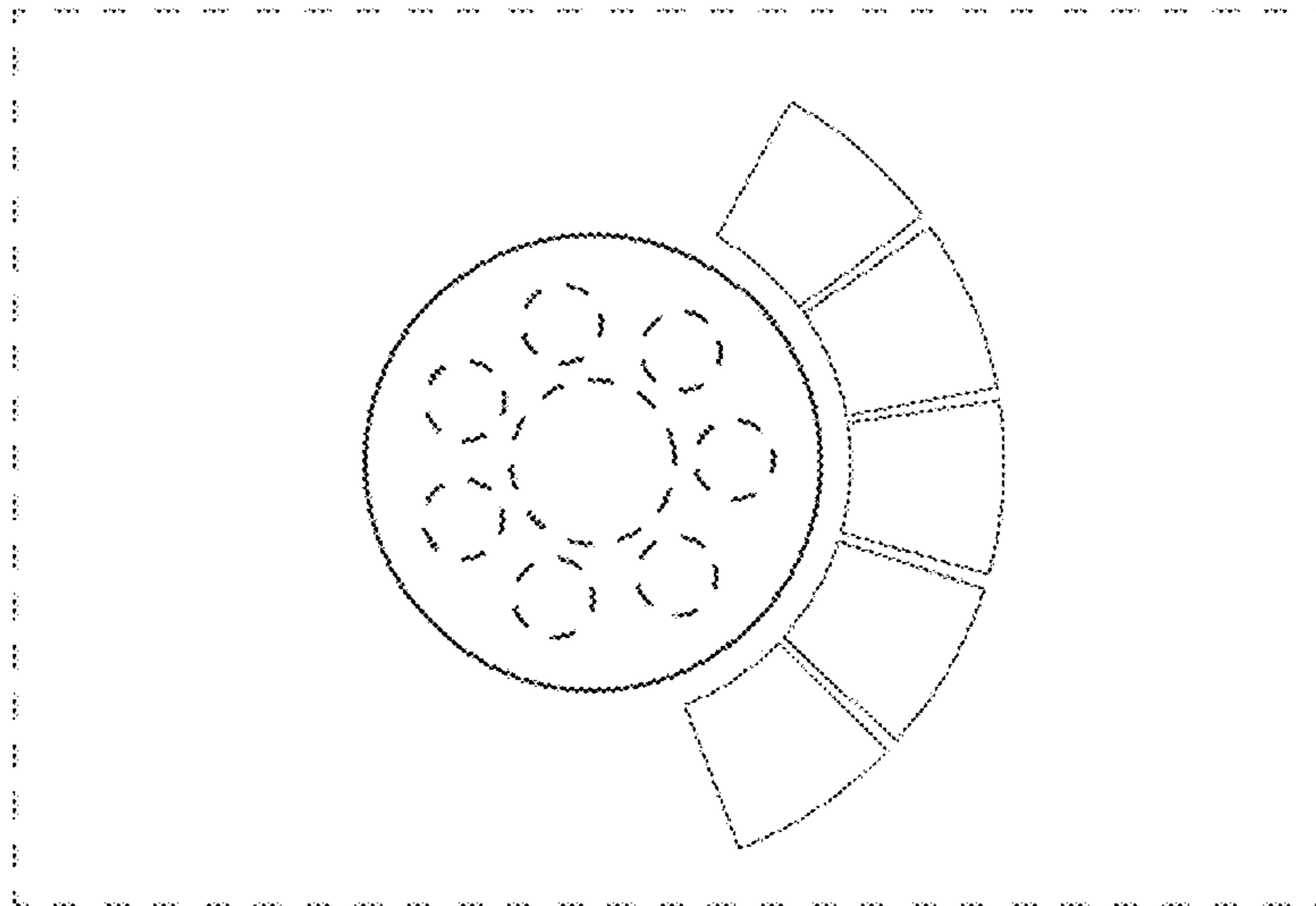


Fig. 9

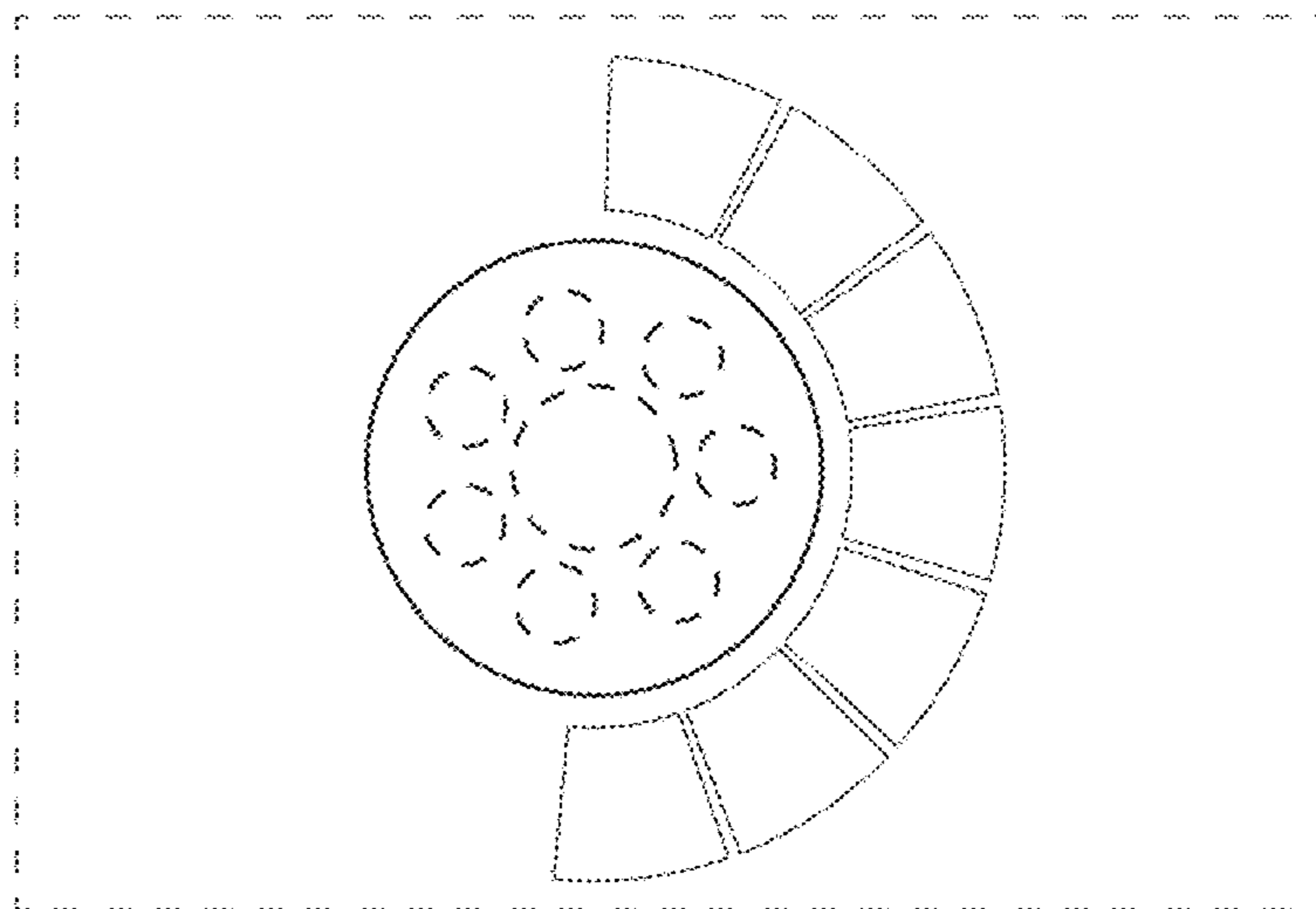


Fig. 10