



US00D800736S

(12) **United States Design Patent** (10) **Patent No.:** **US D800,736 S**  
**Herman et al.** (45) **Date of Patent:** **\*\* \*Oct. 24, 2017**

(54) **DISPLAY SCREEN WITH ANIMATED GRAPHICAL USER INTERFACE**

(71) Applicant: **ADP, LLC**, Roseland, NJ (US)

(72) Inventors: **Matthew Paul Herman**, Hoboken, NJ (US); **Omar Scott**, New York, NY (US); **Hadar Yacobovitz**, New York, NY (US); **Jordan Schiffer**, Brooklyn, NY (US); **Carl Rick Collins**, Brooklyn, NY (US)

(73) Assignee: **ADP LLC**, Roseland, NJ (US)

(\*) Notice: This patent is subject to a terminal disclaimer.

(\*\*) Term: **15 Years**

(21) Appl. No.: **29/542,097**

(22) Filed: **Oct. 9, 2015**

**Related U.S. Application Data**

(63) Continuation-in-part of application No. 14/740,618, filed on Jun. 16, 2015, and a continuation-in-part of application No. 14/795,243, filed on Jul. 9, 2015.

(51) **LOC (10) Cl.** ..... **14-04**

(52) **U.S. Cl.**  
USPC ..... **D14/485**

(58) **Field of Classification Search**  
USPC ..... D14/485-495

(Continued)

(56) **References Cited**

**U.S. PATENT DOCUMENTS**

7,149,698 B2 12/2006 Guheen et al.  
7,747,719 B1 6/2010 Horvitz et al.

(Continued)

**OTHER PUBLICATIONS**

“Radar (Spider) Chart,” FusionCharts.com, InfoSoft Global Private Limited, copyright 2002-2015, 5 pages, accessed May 27, 2015. <http://www.fusioncharts.com/chart-primers/radar-chart/>.

*Primary Examiner* — Darlington Ly

*Assistant Examiner* — Daniel J Domino

(74) *Attorney, Agent, or Firm* — Yee & Associates, P.C.

(57) **CLAIM**

The ornamental design for a display screen with animated graphical user interface, as shown and described.

**DESCRIPTION**

FIG. 1 is a view of a display screen with animated graphical user interface;

FIG. 2 is a second view of the display screen with animated graphical user interface;

FIG. 3 is a view of another embodiment of a display screen with animated graphical user interface;

FIG. 4 is a second view of the display screen with animated graphical user interface;

FIG. 5 is a view of another embodiment of a display screen with animated graphical user interface;

FIG. 6 is a second view of the display screen with animated graphical user interface;

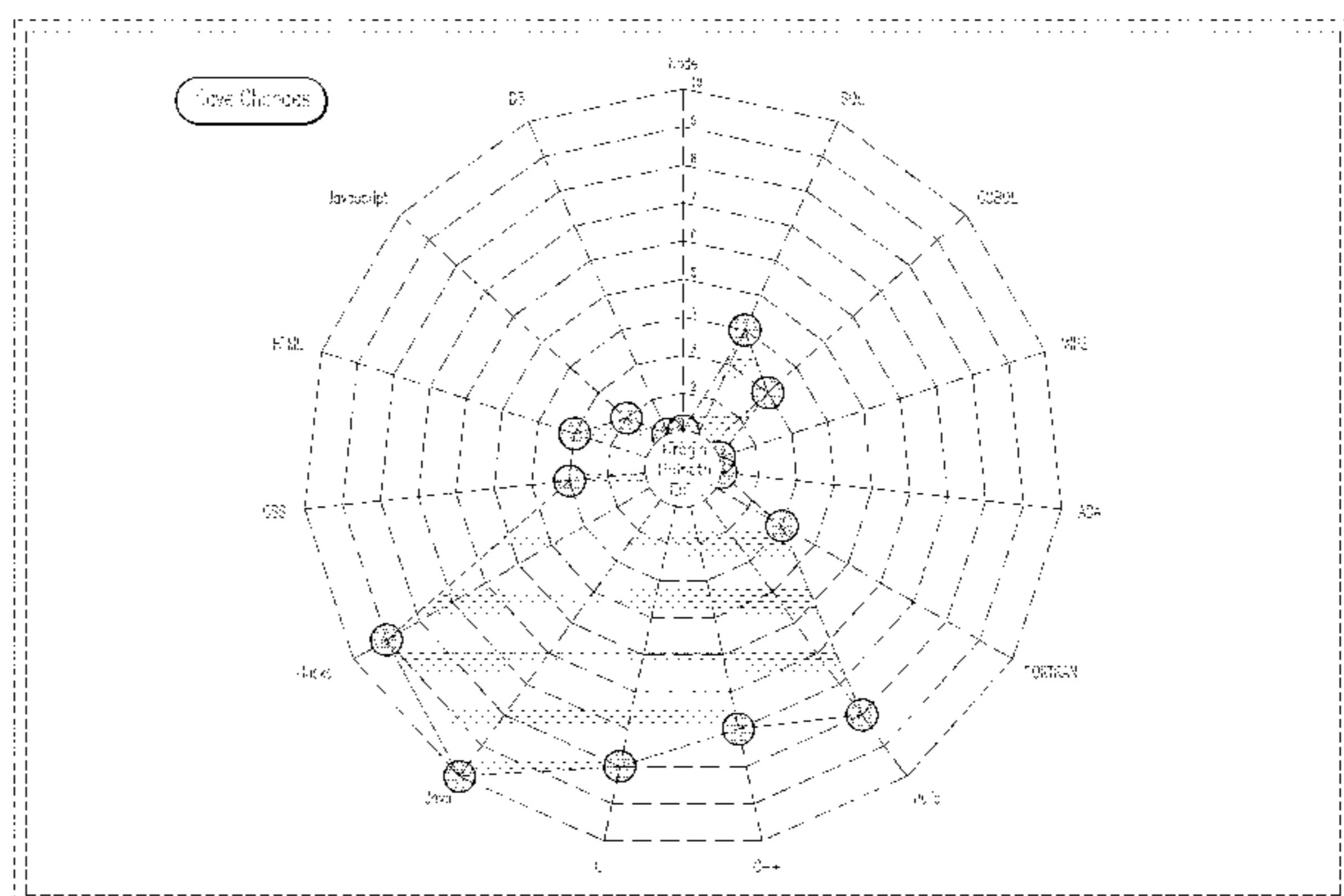
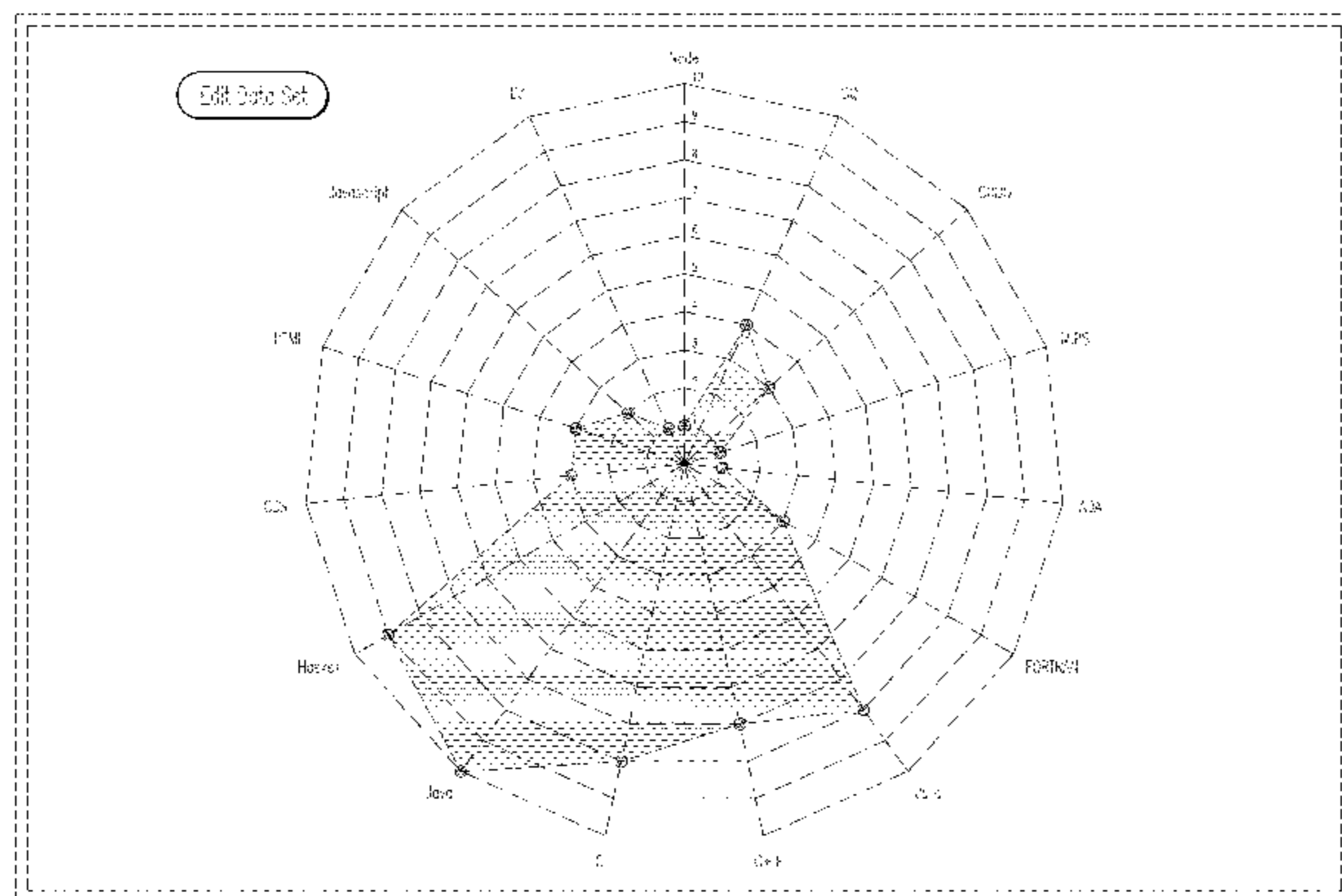
FIG. 7 is a view of another embodiment of a display screen with animated graphical user interface; and,

FIG. 8 is a second view of the display screen with animated graphical user interface.

The short, intermediate and dashed broken lines in the drawings illustrate portions of the display screen with animated graphical user interface that forms no part of the claimed design.

The appearance of the graphical user interface transitions sequentially between the images shown in FIGS. 1-2, FIGS. 3-4, FIGS. 5-6, or FIGS. 7-8. The process or period in which one image transitions to another forms no part of the claimed design.

**1 Claim, 8 Drawing Sheets**



(58) **Field of Classification Search**  
 CPC .. G06F 3/048; G06F 3/04842; G06F 3/04847;  
 G06F 3/0481; G06F 17/211; G06F  
 17/212  
 See application file for complete search history.

(56) **References Cited**  
 U.S. PATENT DOCUMENTS

8,135,711	B2	3/2012	Charnock et al.	
D697,080	S *	1/2014	Scholz .....	D14/489
8,762,870	B2	6/2014	Robotham et al.	
D708,193	S *	7/2014	Agnew .....	D14/485
D711,420	S *	8/2014	Agnew .....	D14/488
D719,176	S *	12/2014	Cohen .....	D14/485
D719,177	S *	12/2014	Cohen .....	D14/485
D733,167	S *	6/2015	Schoger .....	D14/486
D733,168	S *	6/2015	Kopetsky .....	D14/486
D735,732	S *	8/2015	Nezhad .....	D14/485
D742,394	S *	11/2015	Bouchard .....	D14/485
D743,412	S *	11/2015	Danielyan .....	D14/485
D743,413	S *	11/2015	Danielyan .....	D14/485

D743,423	S *	11/2015	Danielyan .....	D14/486
D743,424	S *	11/2015	Danielyan .....	D14/486
D746,855	S *	1/2016	Choi .....	D14/488
D750,123	S *	2/2016	Subramanian .....	D14/487
D753,177	S *	4/2016	Mierau .....	D14/488
D753,712	S *	4/2016	Lee .....	G06F 3/04817 D14/489
D755,843	S *	5/2016	Akana .....	D14/492
D757,092	S *	5/2016	Raskin .....	D14/488
D758,403	S *	6/2016	Lee .....	D14/486
D759,075	S *	6/2016	Bain .....	D14/486
D759,076	S *	6/2016	Bain .....	D14/486
D759,684	S *	6/2016	Bijlani .....	D14/486
D761,282	S *	7/2016	Bain .....	D14/486
D761,299	S *	7/2016	Rajendran .....	D14/488
D762,704	S *	8/2016	Li .....	D14/488
D763,306	S *	8/2016	Lee .....	D14/488
D765,115	S *	8/2016	Pierson .....	D14/486
D765,673	S *	9/2016	Leabman .....	D14/485
D765,681	S *	9/2016	Nagel .....	D14/486
2003/0154212	A1	8/2003	Schirmer et al.	
2011/0054968	A1	3/2011	Galaviz	

\* cited by examiner

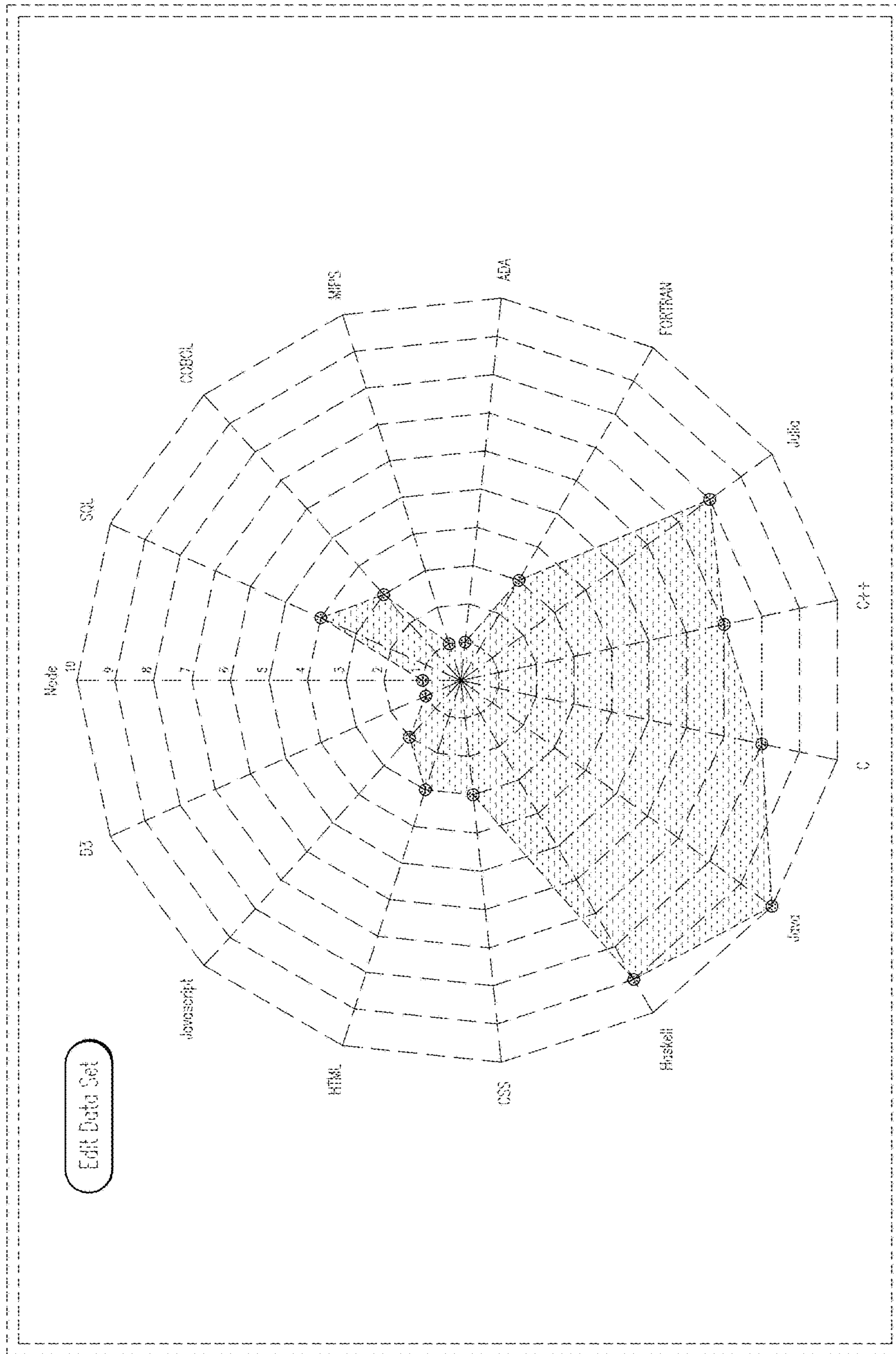


FIG. 1



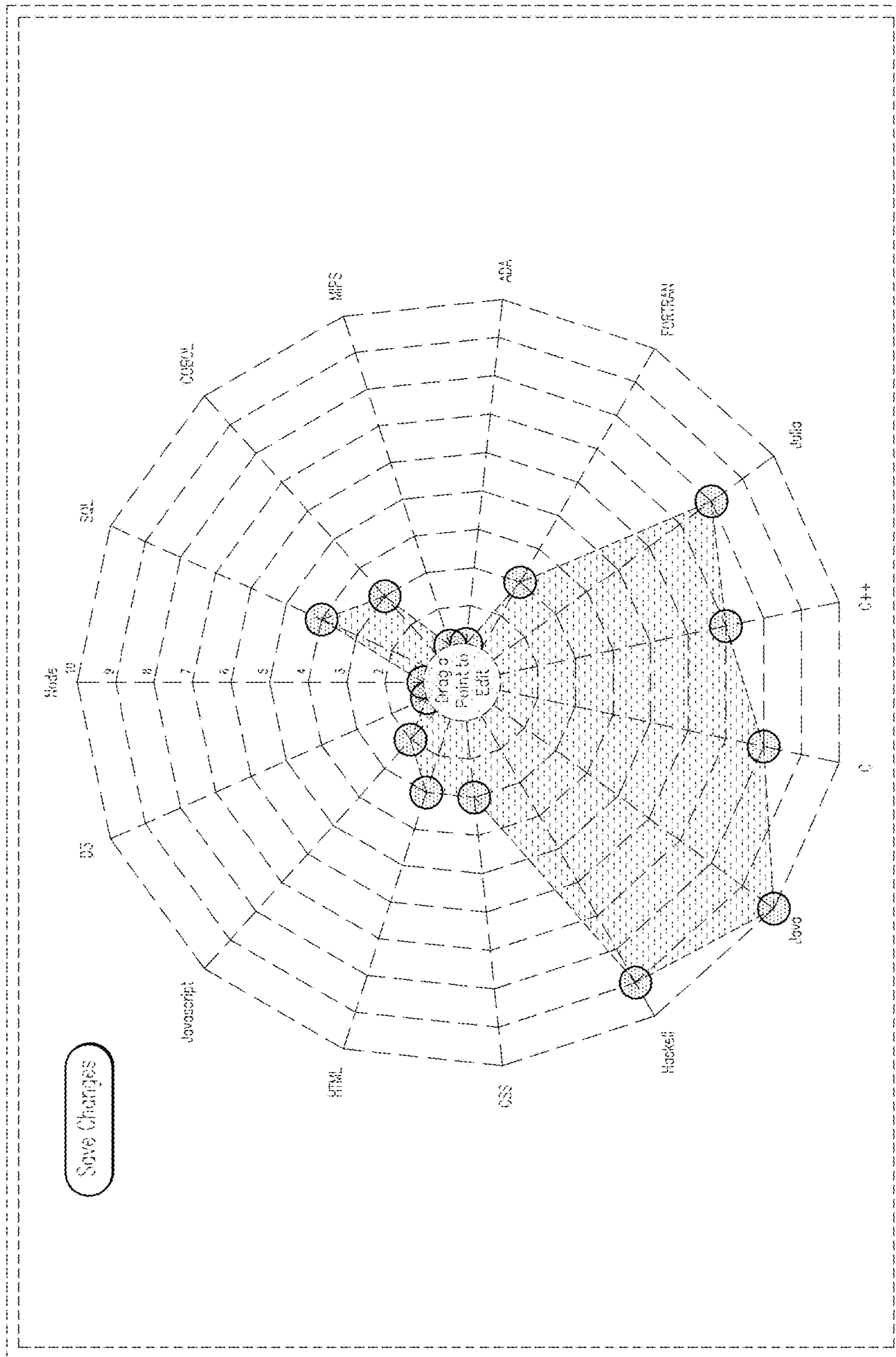


FIG. 2

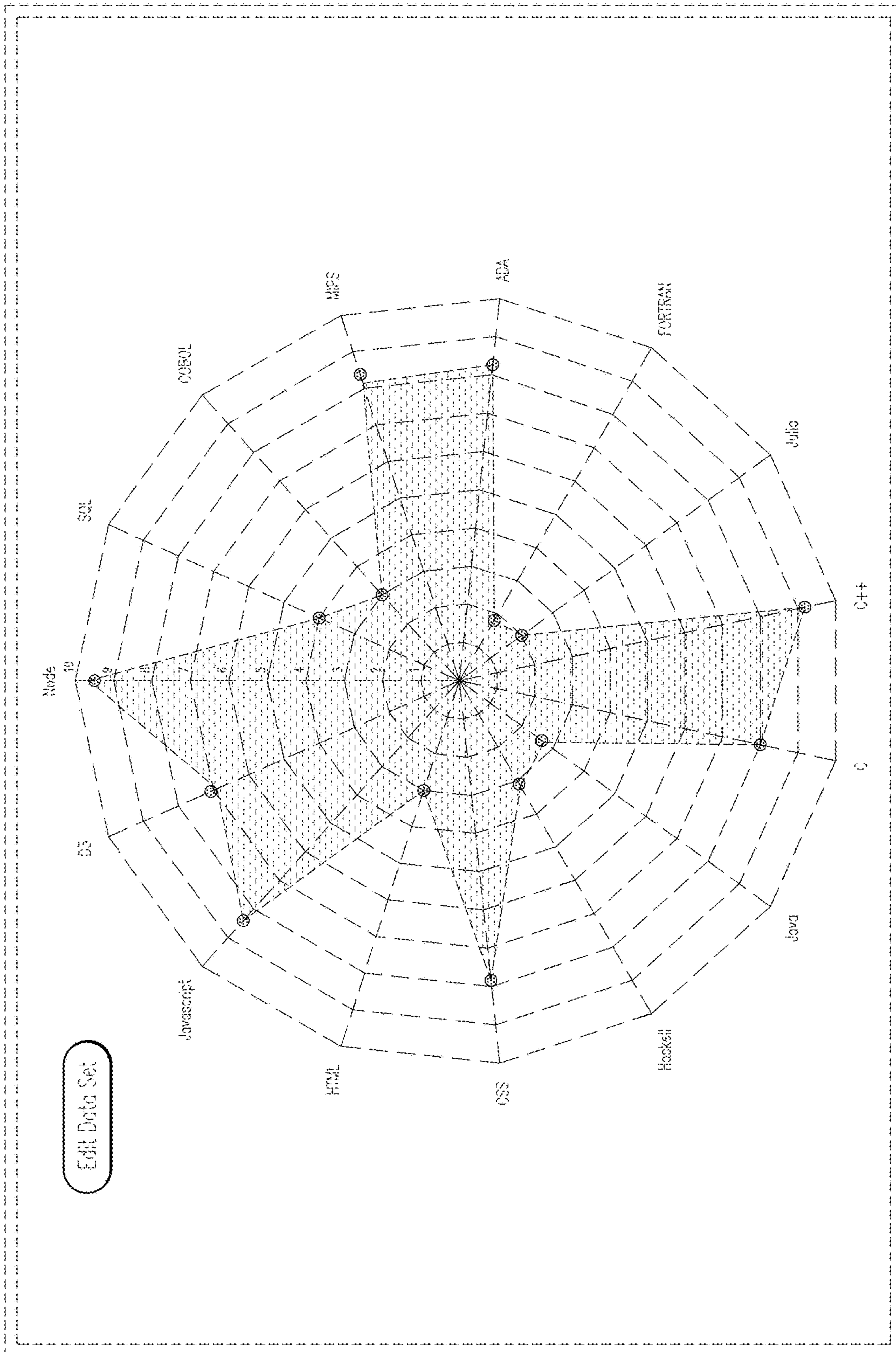


FIG. 3

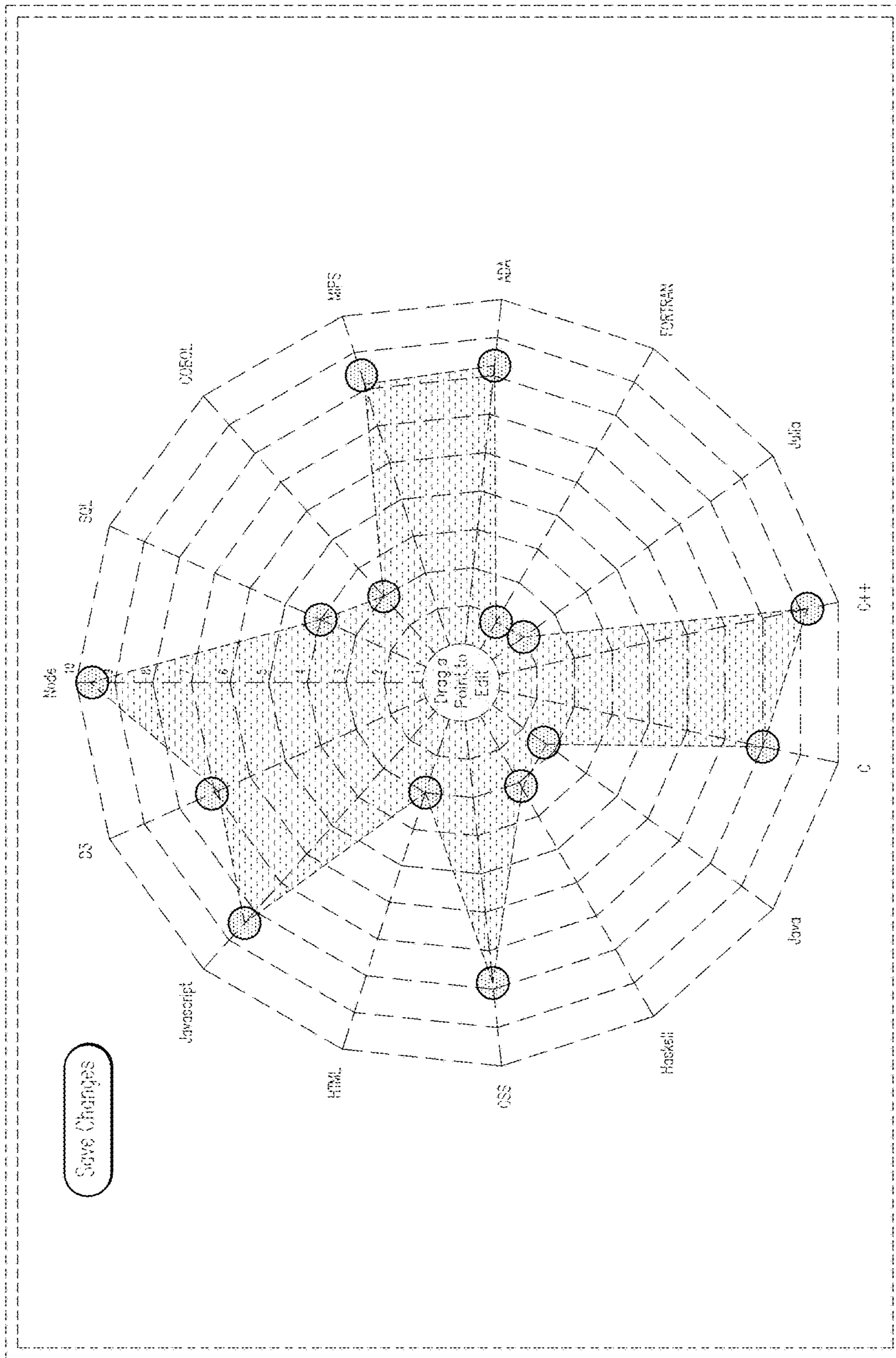


FIG. 4



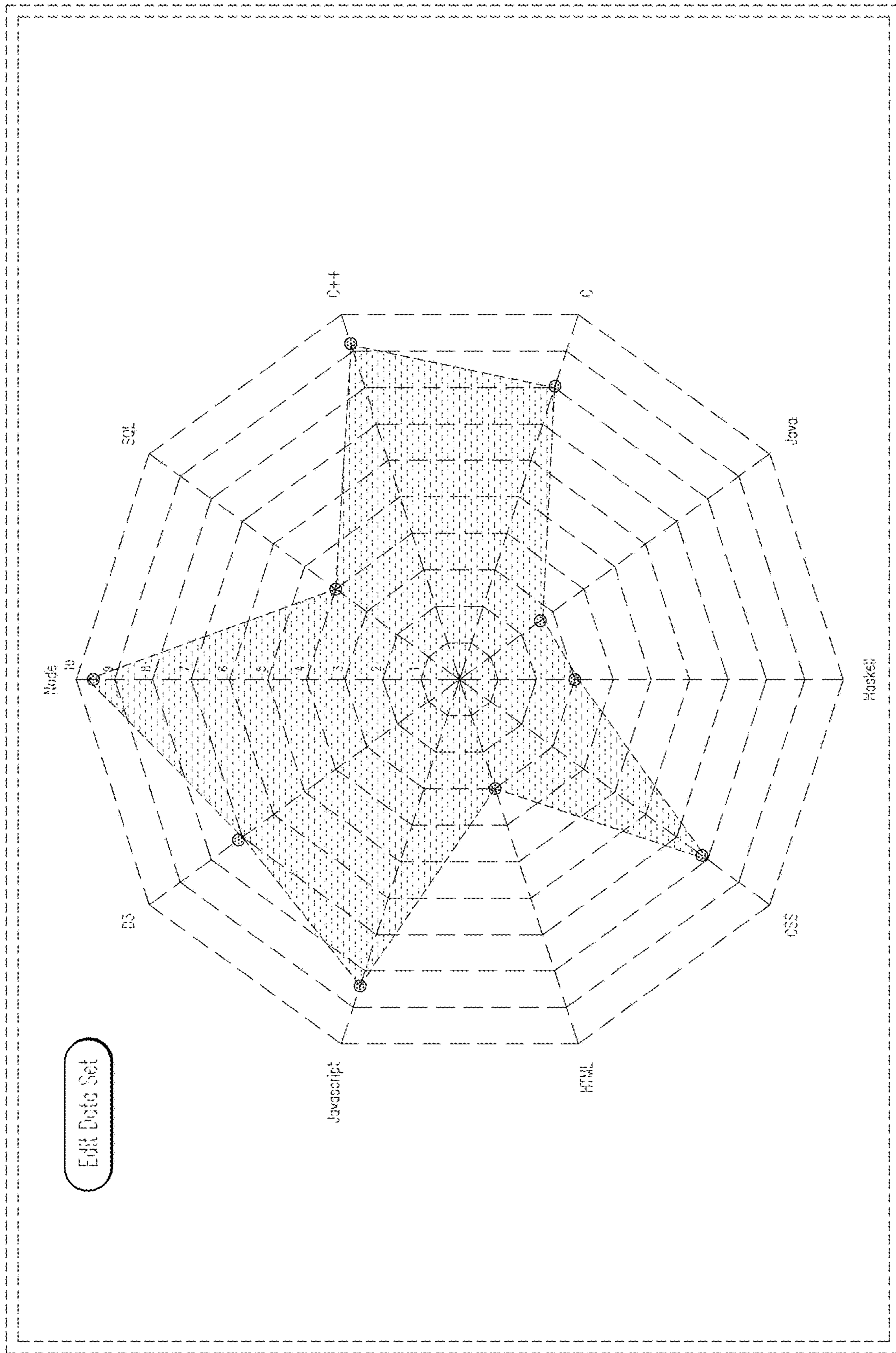


FIG. 5

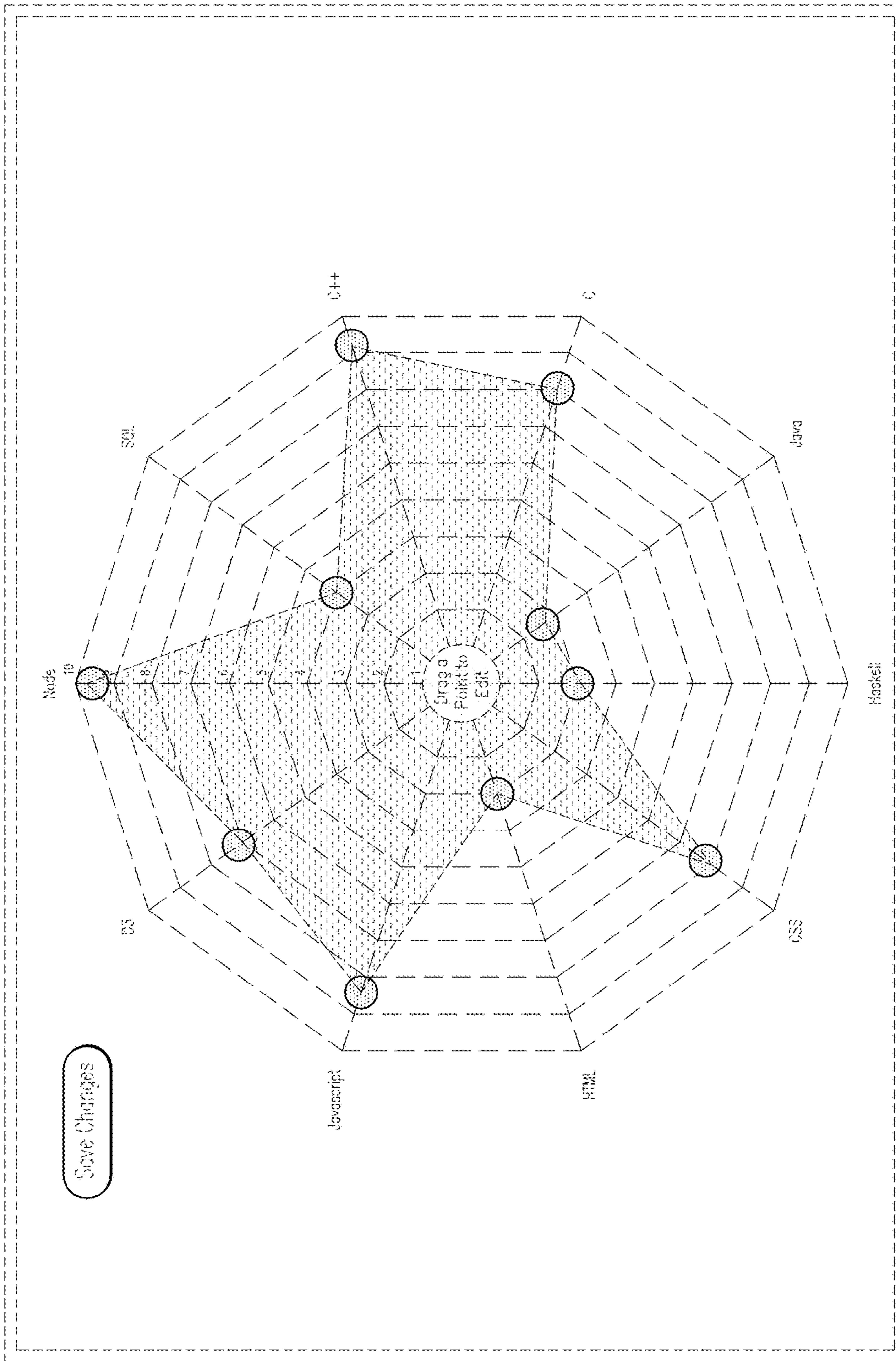


FIG. 6



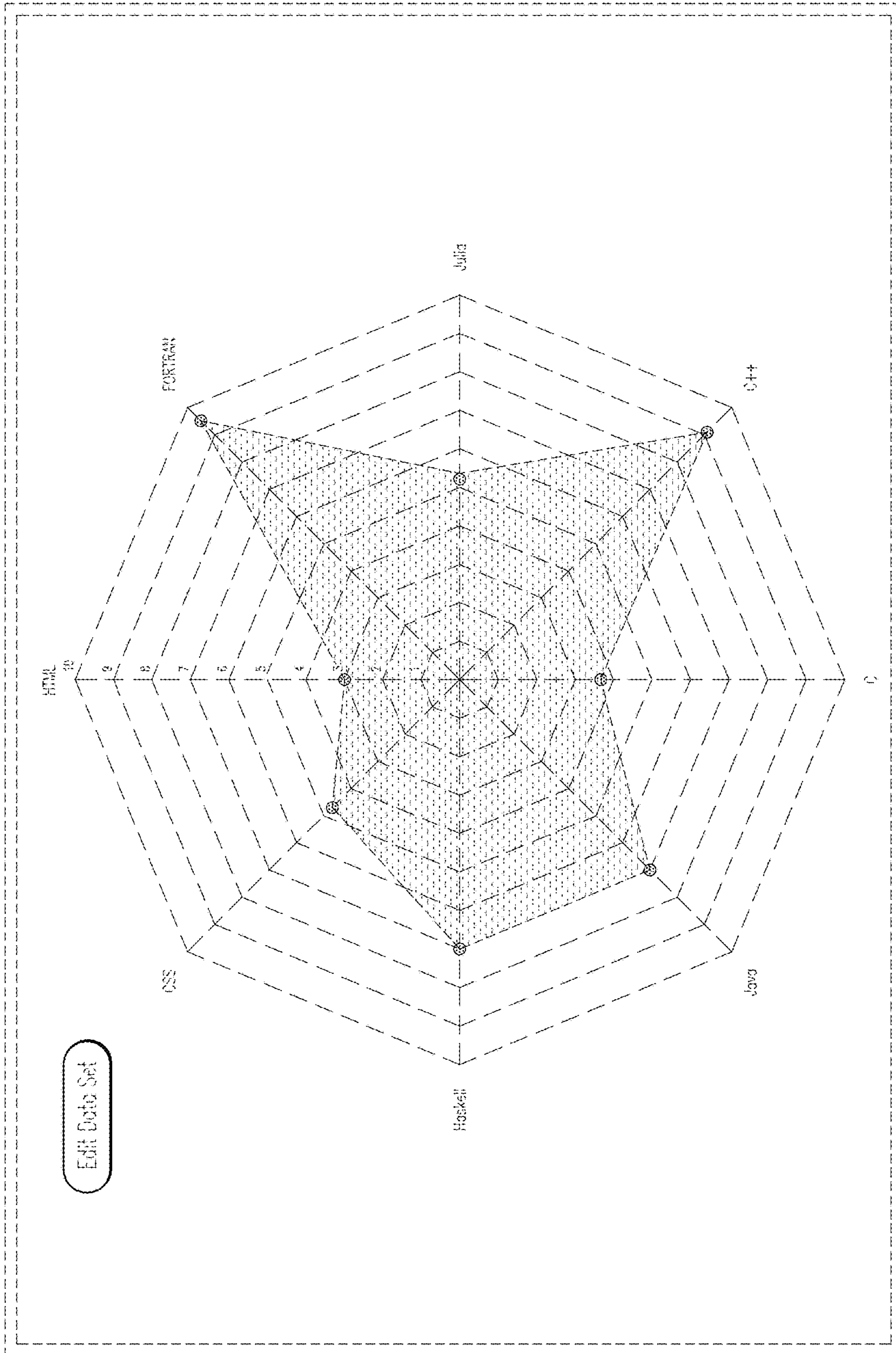


FIG. 7

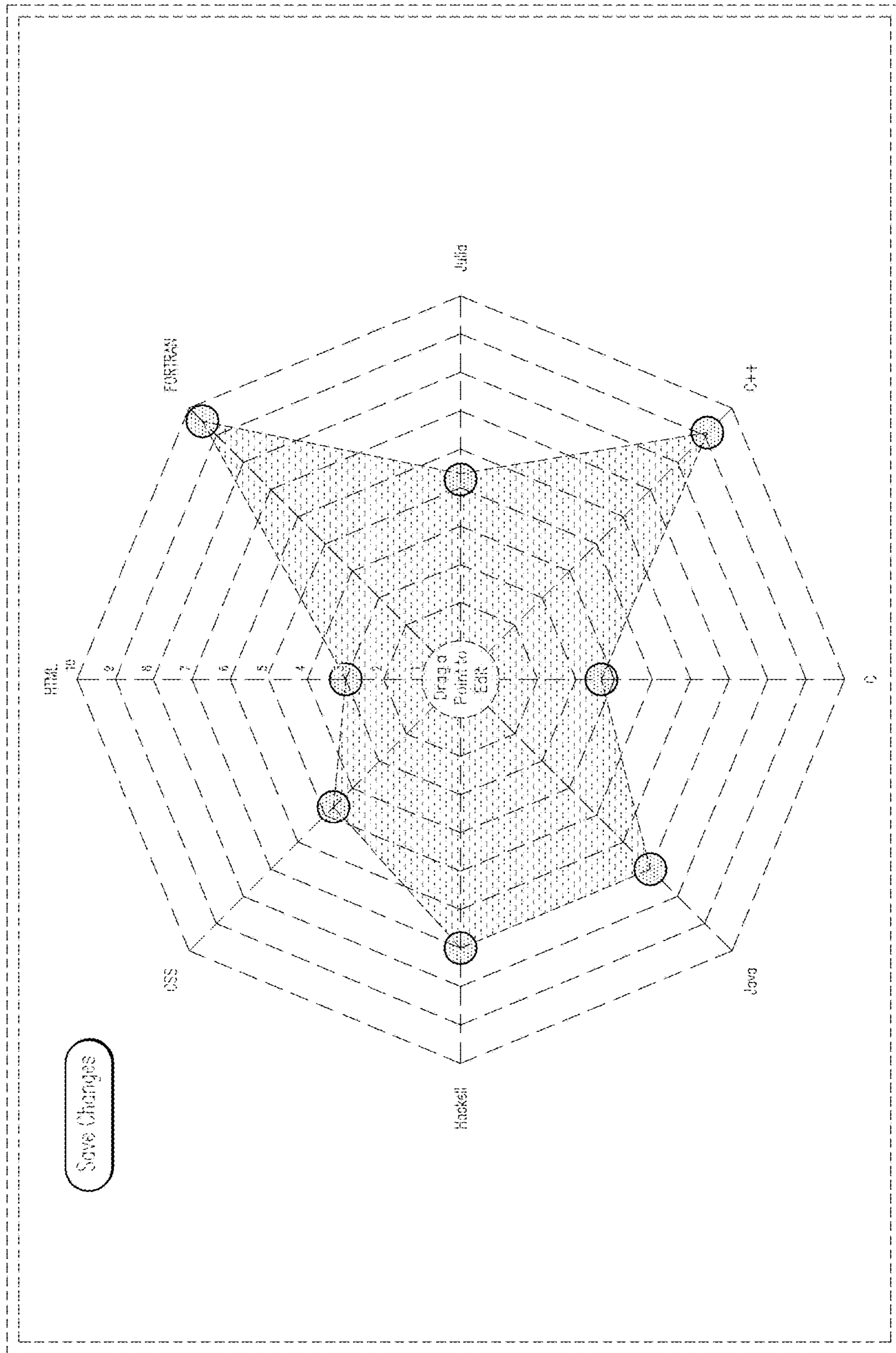


FIG. 8