



US00D800735S

(12) **United States Design Patent** (10) **Patent No.:** **US D800,735 S**  
**Akana et al.** (45) **Date of Patent:** **\*\* Oct. 24, 2017**

(54) **DISPLAY STAND AND ELECTRONIC DEVICE**

(71) Applicant: **Apple Inc.**, Cupertino, CA (US)

(72) Inventors: **Jody Akana**, San Francisco, CA (US); **Bartley K. Andre**, Palo Alto, CA (US); **Shota Aoyagi**, San Francisco, CA (US); **Anthony Michael Ashcroft**, San Francisco, CA (US); **Jeremy Bataillon**, San Francisco, CA (US); **Daniel J. Coster**, San Francisco, CA (US); **Daniele De Iuliis**, San Francisco, CA (US); **M. Evans Hankey**, San Francisco, CA (US); **Julian Hoenig**, San Francisco, CA (US); **Richard P. Howarth**, San Francisco, CA (US); **Jonathan P. Ive**, San Francisco, CA (US); **Duncan Robert Kerr**, San Francisco, CA (US); **Matthew Dean Rohrbach**, San Francisco, CA (US); **Peter Russell-Clarke**, San Francisco, CA (US); **Benjamin Andrew Shaffer**, San Jose, CA (US); **Mikael Silvano**, San Francisco, CA (US); **Christopher J. Stringer**, Woodside, CA (US); **Eugene Antony Whang**, San Francisco, CA (US); **Rico Zörkendörfer**, San Francisco, CA (US)

(73) Assignee: **Apple Inc.**, Cupertino, CA (US)

(\*\*) Term: **15 Years**

(21) Appl. No.: **29/572,679**

(22) Filed: **Jul. 29, 2016**

**Related U.S. Application Data**

(63) Continuation of application No. 29/501,043, filed on Aug. 29, 2014, now Pat. No. Des. 762,648, and a (Continued)

(51) **LOC (10) Cl.** ..... **14-02**

(52) **U.S. Cl.**  
USPC ..... **D14/451**; D14/434

(58) **Field of Classification Search**  
USPC ..... D14/432-434, 314, 447, 217, 358, 496, D14/341-346; D13/107, 108, 146;  
(Continued)

(56) **References Cited**

**U.S. PATENT DOCUMENTS**

D284,084 S 6/1986 Ferrara, Jr.  
D295,748 S 5/1988 Day et al.  
(Continued)

*Primary Examiner* — Freda S Nunn  
(74) *Attorney, Agent, or Firm* — Sterne, Kessler, Goldstein & Fox P.L.L.C.

(57) **CLAIM**

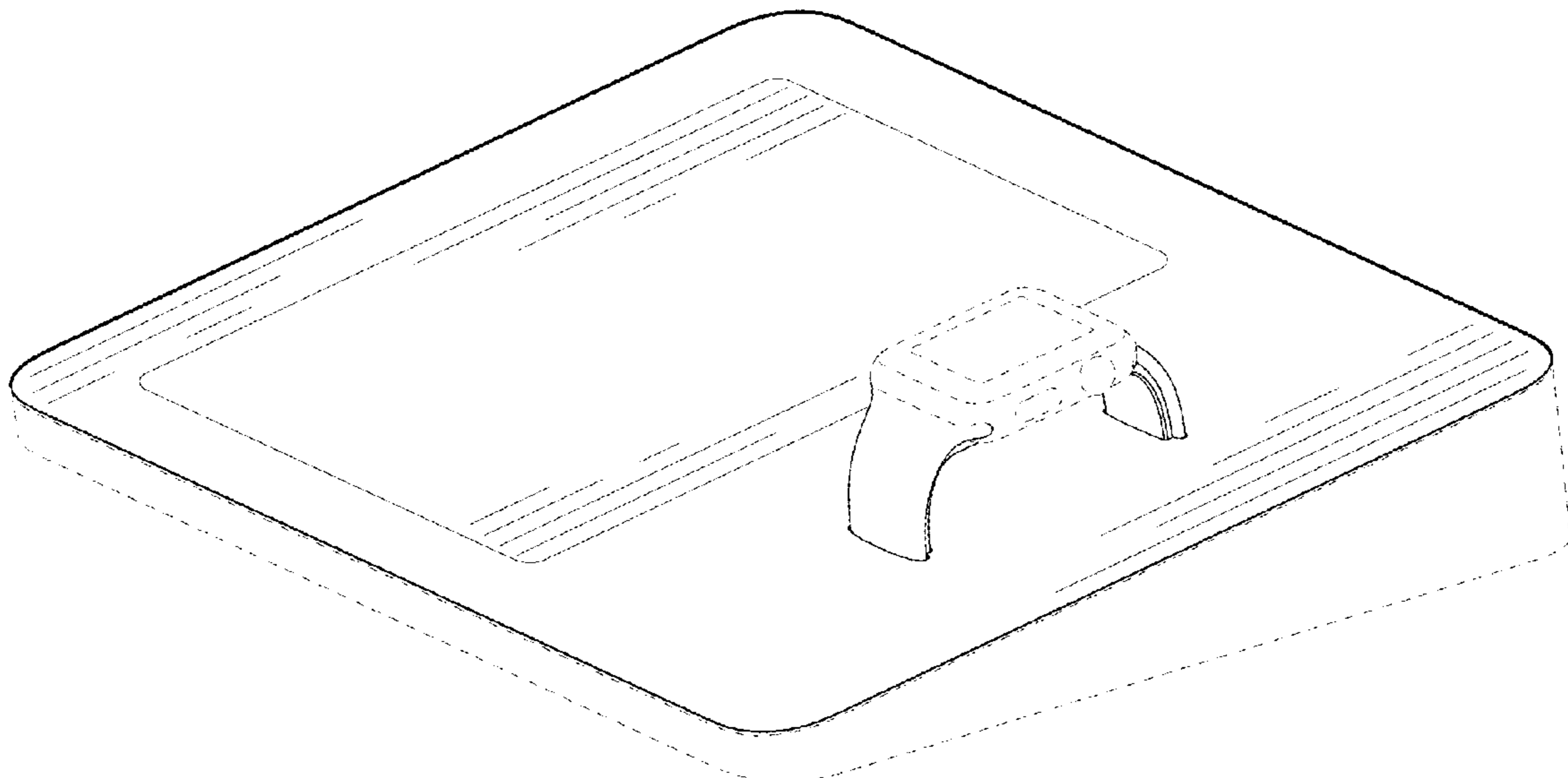
The ornamental design for a display stand and electronic device, as shown and described.

**DESCRIPTION**

FIG. 1 is a top front perspective view of a display stand and electronic device showing the claimed design; FIG. 2 is a front view thereof; FIG. 3 is a rear view thereof; FIG. 4 is a right side view thereof; FIG. 5 is a left side view thereof; FIG. 6 is a top view thereof; and, FIG. 7 is a bottom view thereof.

The broken lines in the figures show portions of the display stand and electronic device that form no part of the claimed design.

**1 Claim, 4 Drawing Sheets**



**Related U.S. Application Data**

continuation of application No. 29/501,842, filed on Sep. 9, 2014, now Pat. No. Des. 762,649.

(58) **Field of Classification Search**

USPC ..... D10/30, 70; 248/346.03, 176.1; 361/679.41, 679.31, 679.32, 679.4, 361/679.43, 679.55, 679.58, 679.33; 320/109, 112-115; 710/15, 303; 455/557; 439/347, 534; D11/3  
 CPC ..... H02J 7/0042; H02J 7/00; H01R 31/065; H01M 10/44; H04B 1/03; H04B 1/385; H01H 2223/04; G04G 17/083; G06F 1/163; F16M 11/10

See application file for complete search history.

(56) **References Cited**

U.S. PATENT DOCUMENTS

4,862,151 A	8/1989	Grauz et al.
D318,961 S	8/1991	Edelson
D319,434 S	8/1991	Lund
D337,322 S	7/1993	Yang
D338,685 S	8/1993	Dakich
D339,537 S	9/1993	Willnauer et al.
5,280,229 A	1/1994	Faude et al.
D392,474 S	3/1998	Frasketi
D392,958 S	3/1998	Gaete
D414,166 S	9/1999	De Paris
D442,939 S	5/2001	Goldenburg
D450,707 S	11/2001	Francavilla et al.
D483,771 S	12/2003	Esswein
D488,440 S	4/2004	Senda
D495,336 S	8/2004	Andre et al.
D502,179 S	2/2005	Cha et al.

D527,018 S	8/2006	Christianson
D543,183 S	5/2007	Cho et al.
D555,655 S	11/2007	Iu
D583,821 S	12/2008	Richter
D585,056 S	1/2009	Ekelund
D587,703 S	3/2009	Yoon
D596,618 S	7/2009	Zha
D599,792 S	9/2009	Lin
D618,614 S	6/2010	Symons
D623,188 S	9/2010	Son et al.
D626,129 S	10/2010	Lutz
D627,777 S	11/2010	Akana et al.
D637,596 S	5/2011	Akana et al.
D637,601 S	5/2011	Symons
D639,267 S	6/2011	DeLorenzo et al.
D642,121 S	7/2011	Lee et al.
D642,172 S	7/2011	Akana et al.
D643,433 S	8/2011	Hsieh et al.
D651,606 S	1/2012	Luijben
D661,308 S	6/2012	Capozzoli
D662,100 S	6/2012	Van Den Nieuwenhuizen et al.
D670,692 S	11/2012	Akana et al.
D673,571 S	1/2013	Akana et al.
D673,572 S	1/2013	Akana et al.
D673,952 S	1/2013	Toda et al.
D687,441 S	8/2013	Janzen
D688,671 S	8/2013	Avganim
D690,137 S	9/2013	Kikkert et al.
D690,138 S	9/2013	Kikkert et al.
D692,420 S	10/2013	McManigal et al.
D708,270 S	7/2014	Heirakuji et al.
D762,648 S *	8/2016	Akana ..... D14/434
D762,649 S *	8/2016	Akana ..... D14/434
2006/0250764 A1	11/2006	Howarth et al.
2009/0156255 A1	6/2009	Shin et al.
2014/0028688 A1	1/2014	Houjou et al.

\* cited by examiner

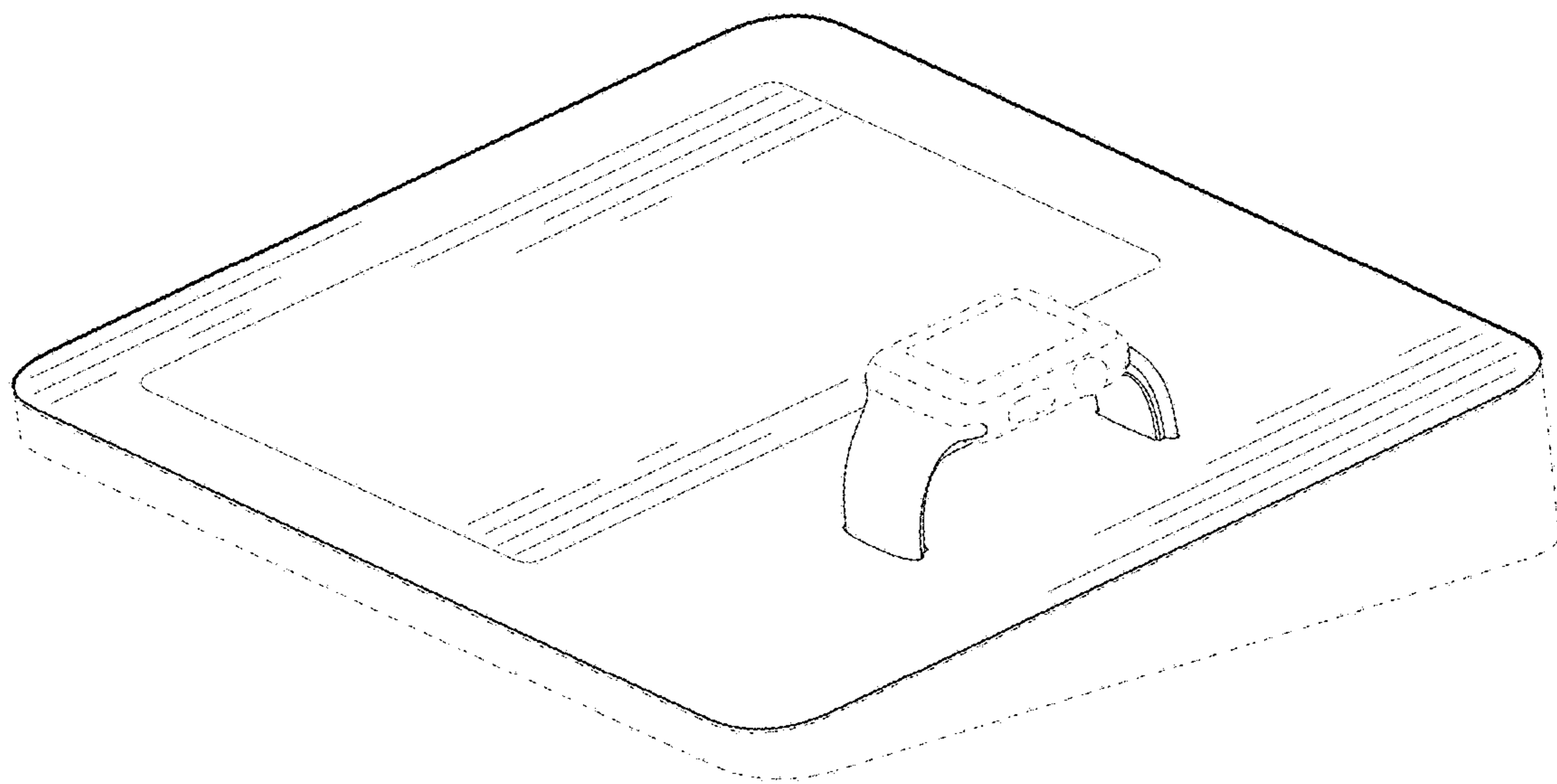
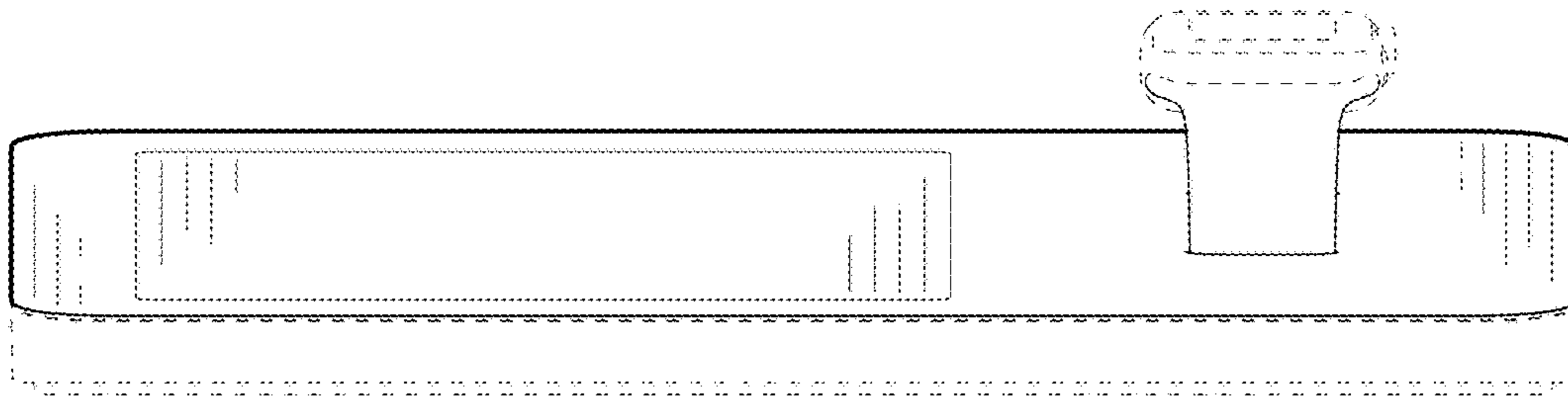
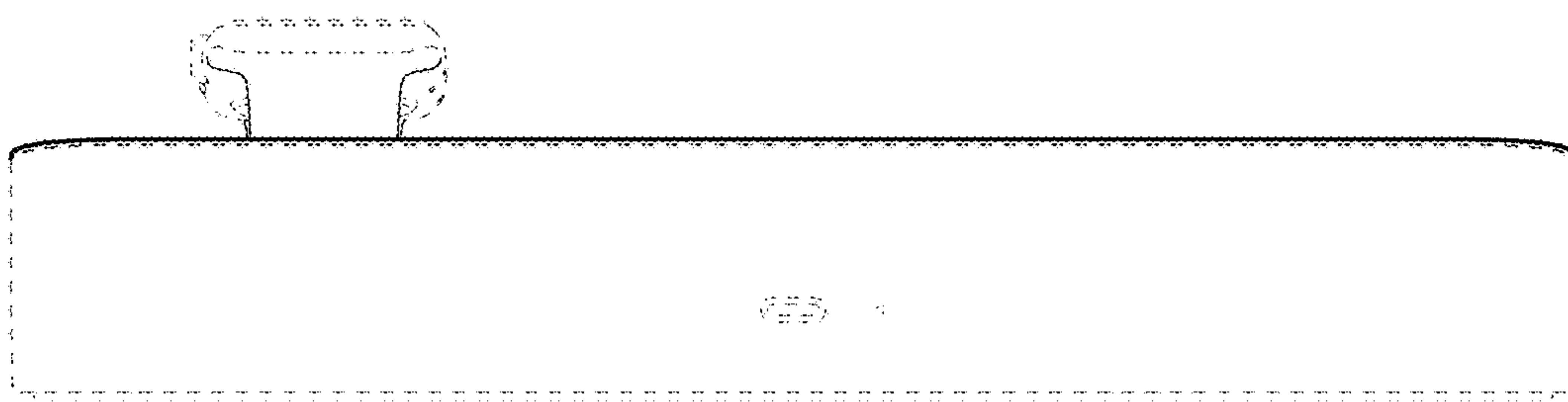


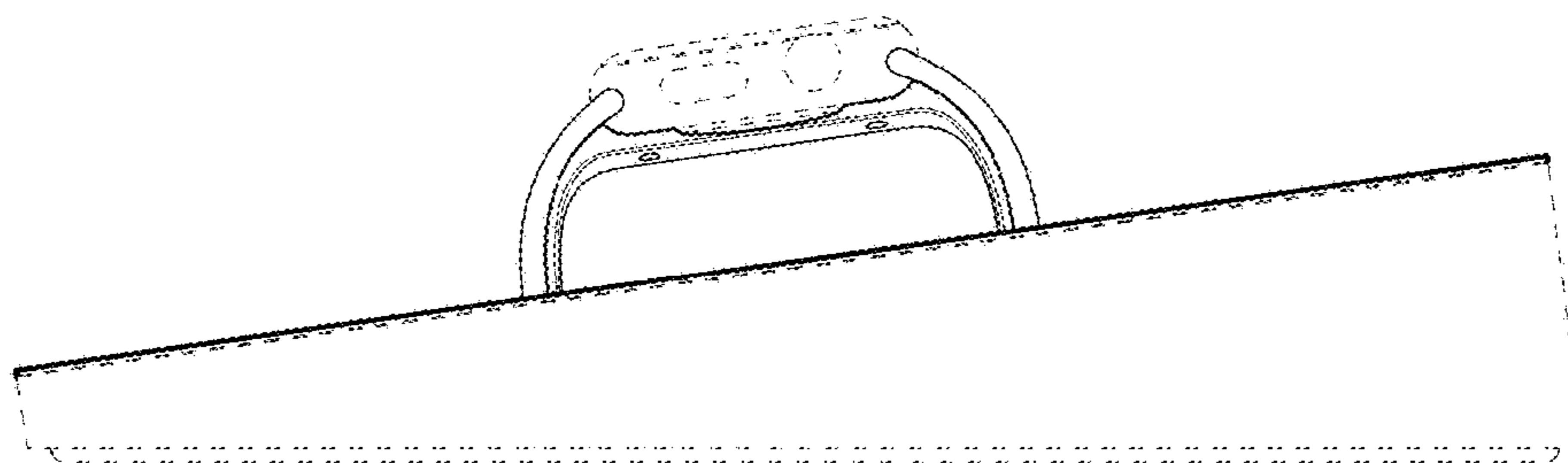
FIG. 1



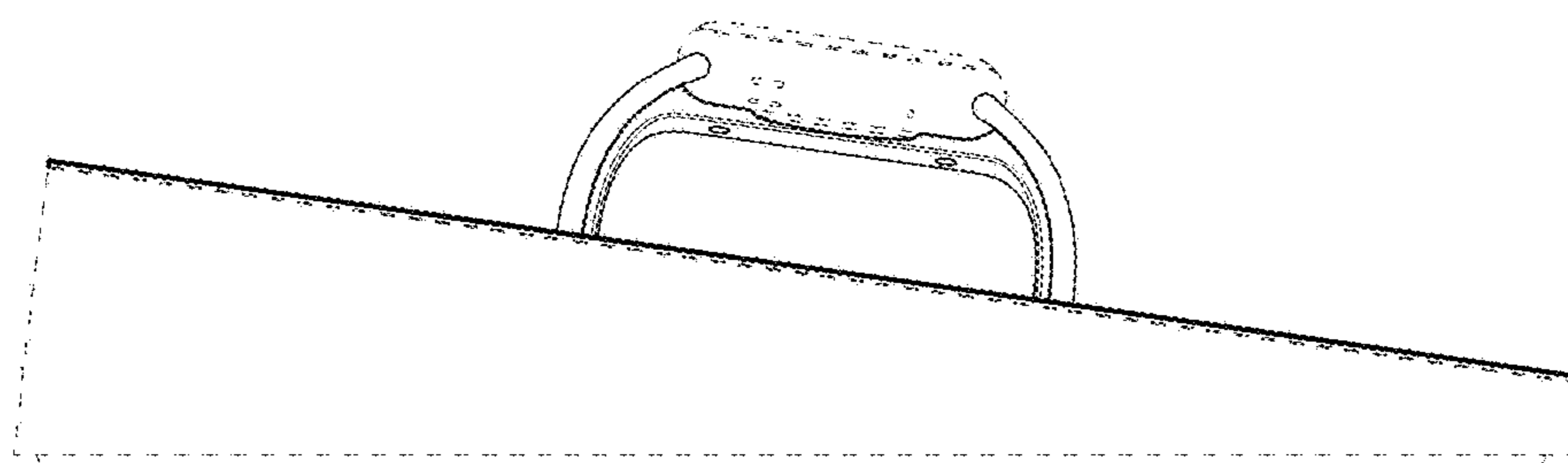
**FIG. 2**



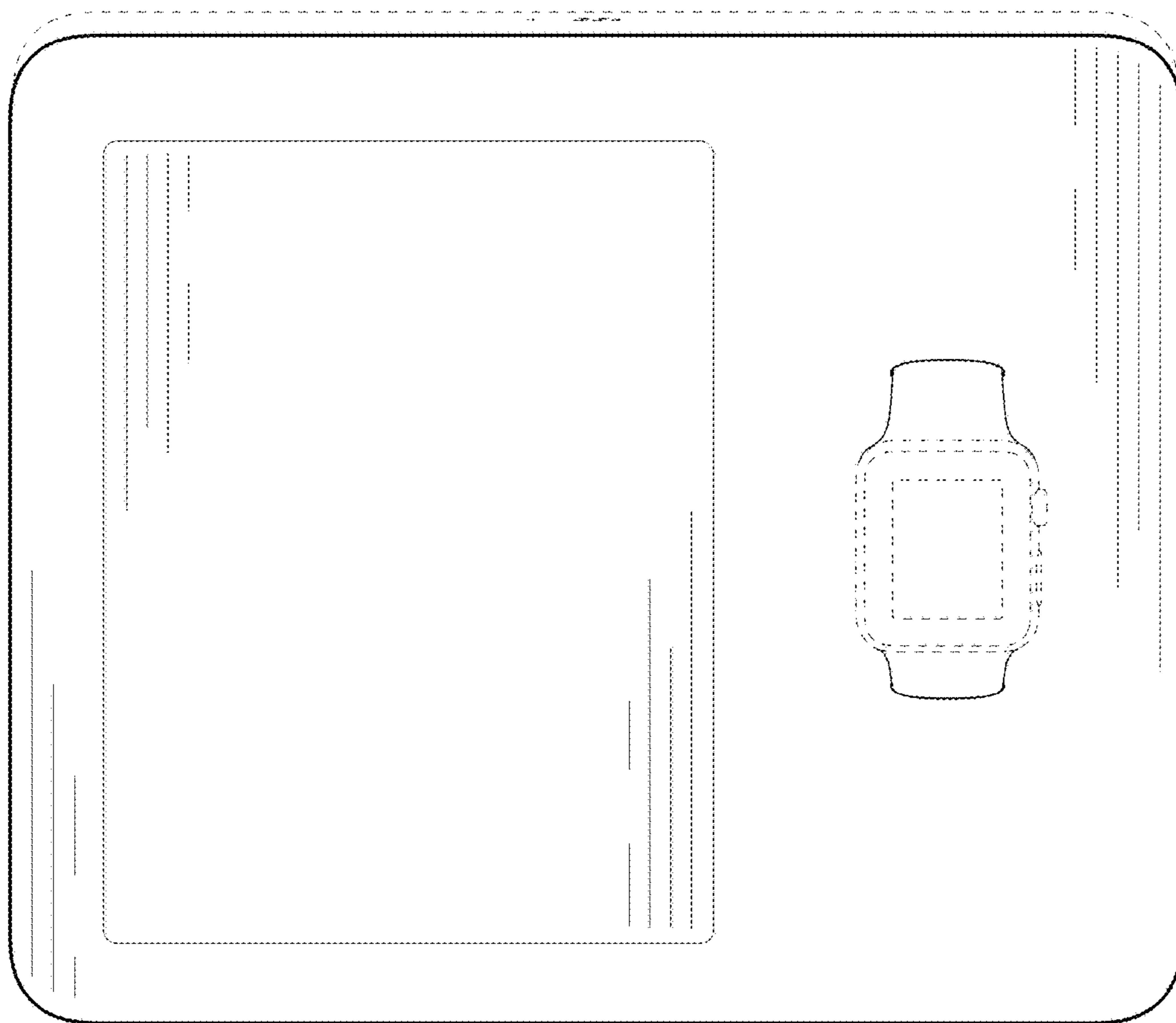
**FIG. 3**



**FIG. 4**



**FIG. 5**



**FIG. 6**



**FIG. 7**