



US00D800734S

(12) **United States Design Patent**
Lewis et al.

(10) **Patent No.:** **US D800,734 S**
(45) **Date of Patent:** **** Oct. 24, 2017**

(54) **TABLET STAND**

(71) Applicants: **Fred Lewis**, Shelby, NC (US); **Teresa Lewis**, Shelby, NC (US)

(72) Inventors: **Fred Lewis**, Shelby, NC (US); **Teresa Lewis**, Shelby, NC (US)

(**) Term: **15 Years**

(21) Appl. No.: **29/578,358**

(22) Filed: **Sep. 21, 2016**

(51) **LOC (10) Cl.** **08-07**

(52) **U.S. Cl.**

USPC **D14/447**

(58) **Field of Classification Search**

USPC D14/447, 432, 434, 439, 440, 451, 452,
D14/457, 239; D8/363, 373, 380;
D6/406.3, 406.4, 406.5, 406.6; D12/415
CPC A47B 21/04; A47B 2097/006; A47B
2097/005; A47B 2023/049; A45C
2011/002; A45C 2011/003; F16M
2200/00; F16M 13/00

See application file for complete search history.

(56) **References Cited**

U.S. PATENT DOCUMENTS

5,678,339	A	10/1997	Marventano	
6,780,273	B1	8/2004	Bradford	
7,744,055	B2 *	6/2010	Zeng	F16M 11/10 248/447
D650,783	S *	12/2011	Ausfeld	D13/107
D666,619	S *	9/2012	May	D14/447
D671,532	S *	11/2012	Mochizuki	D14/239
D687,439	S *	8/2013	May	D14/447
D687,832	S *	8/2013	Edwards	D14/447
D752,596	S *	3/2016	Choi	D14/447
D755,796	S *	5/2016	Gibson	D14/447
D760,724	S *	7/2016	Kang	D14/447

D770,459	S *	11/2016	Yoo	D14/447
D771,052	S *	11/2016	Zheng	D14/434
D784,355	S *	4/2017	Hsu	D14/447
2009/0119965	A1	5/2009	Broehl et al.	
2011/0182007	A1	7/2011	Zhu et al.	
2013/0097907	A1	4/2013	Krohn et al.	

OTHER PUBLICATIONS

11 x 14 Easel Back. Product Listing [online]. Craft, Inc., 2016 [retrieved on Jul. 6, 2016]. Retrieved from the Internet: <http://craft-inc.myshopify.com/collections/easel-backs>.

Reclaimed Wood iPad/Cookbook Stand, Leather. Product Listing [online]. Rustic Wall Co., 2016 [retrieved on Jul. 6, 2016]. Retrieved from the Internet: <http://www.greenoutfitters.us/Reclaimed-Wood-iPad-Cookbook-Stand-Leather-p/ipad-ckbk-hdr-lthr.htm>.

* cited by examiner

Primary Examiner — Angela J Lee

(74) *Attorney, Agent, or Firm* — Robert C. Montgomery; Montgomery Patent and Design, LP.

(57) **CLAIM**

The ornamental design for a tablet stand, as shown and described.

DESCRIPTION

FIG. 1 is a perspective top front view of a tablet stand, showing our new design;

FIG. 2 is a perspective top rear view thereof;

FIG. 3 is a front elevation view thereof;

FIG. 4 is a rear elevation view thereof;

FIG. 5 is a left side elevation view thereof;

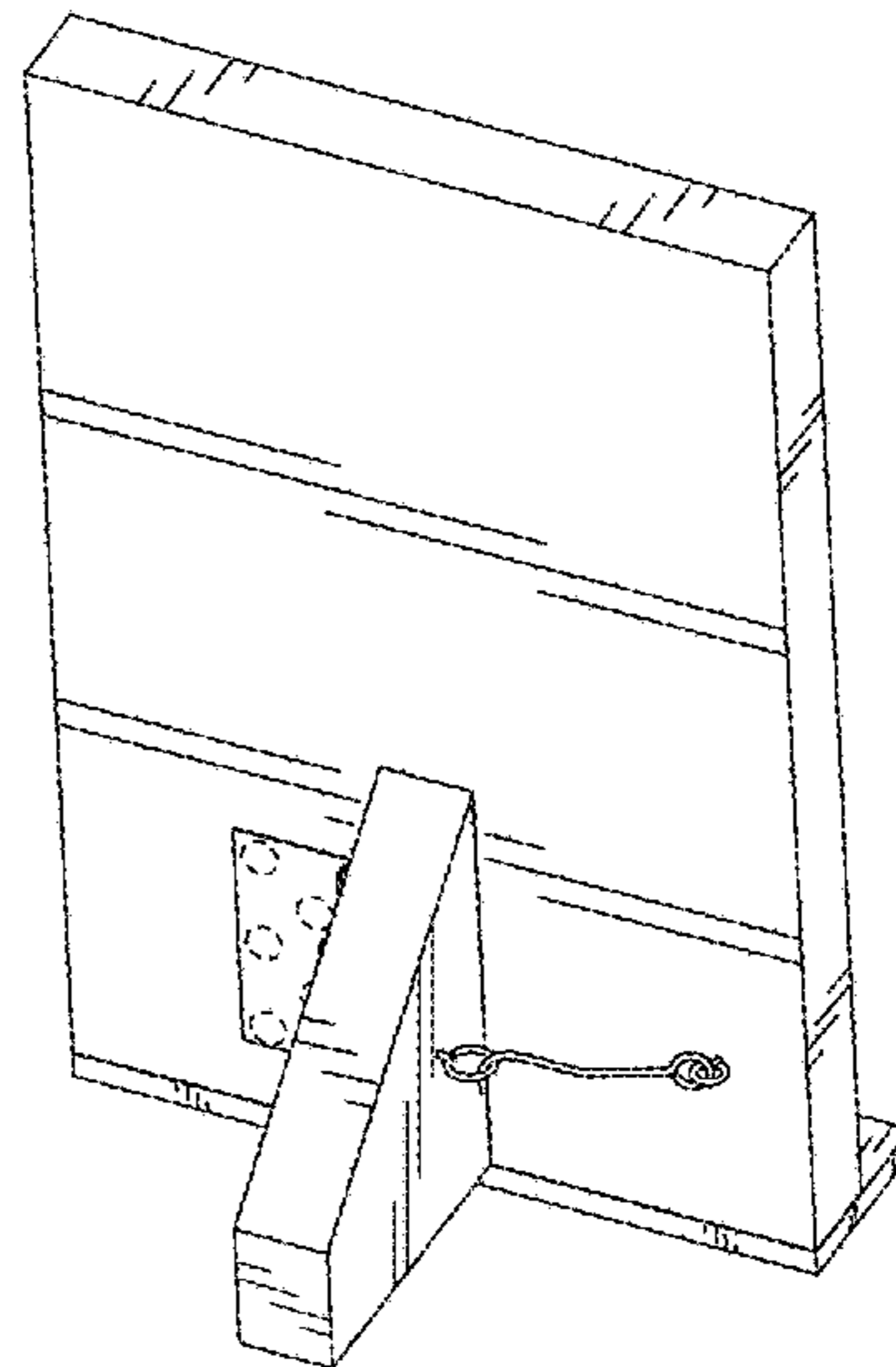
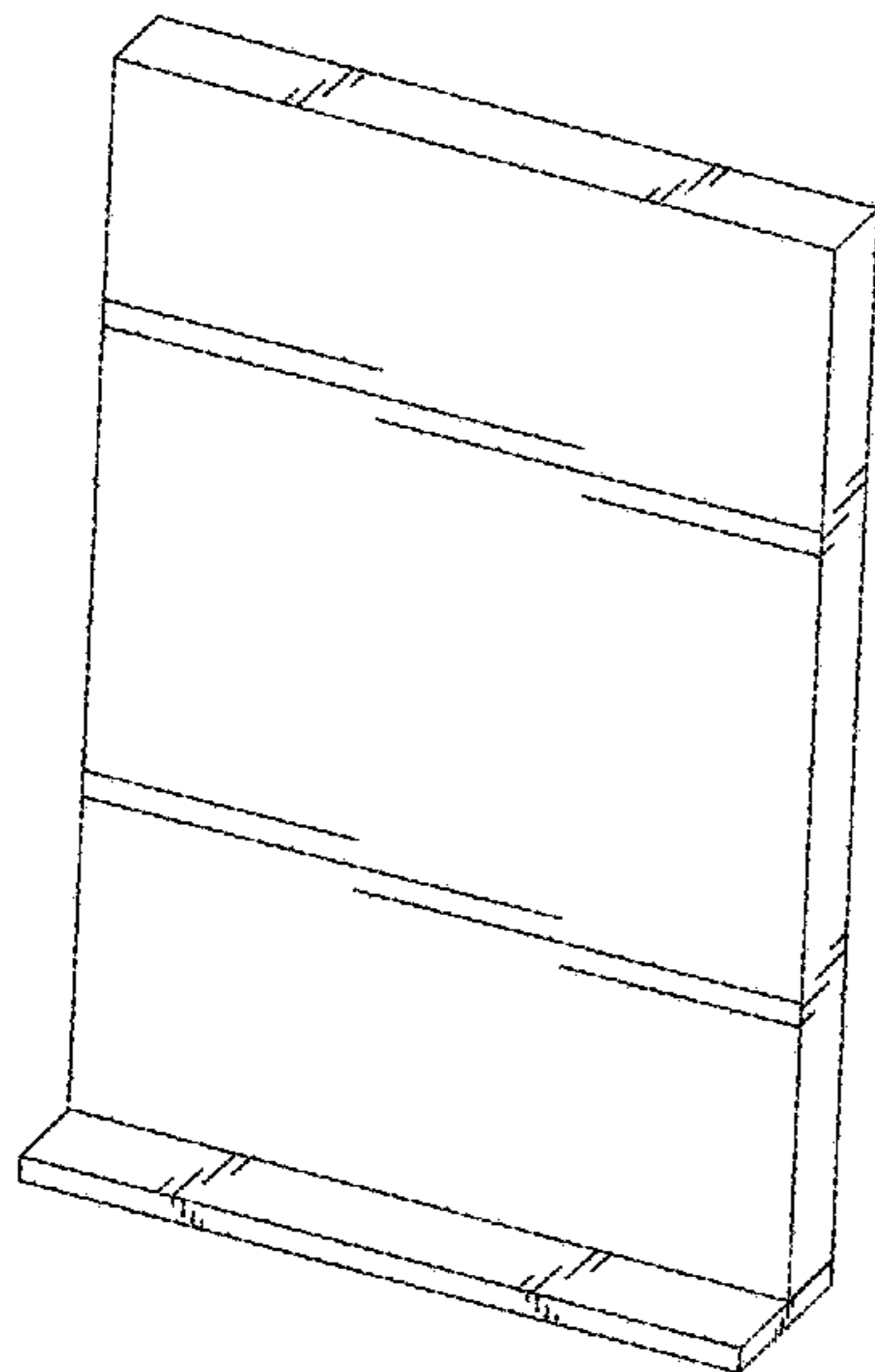
FIG. 6 is a right side elevation view thereof;

FIG. 7 is a top side plan view thereof; and,

FIG. 8 is a bottom side plan view thereof.

The broken lines indicate boundary areas and are not part of the claimed design.

1 Claim, 8 Drawing Sheets



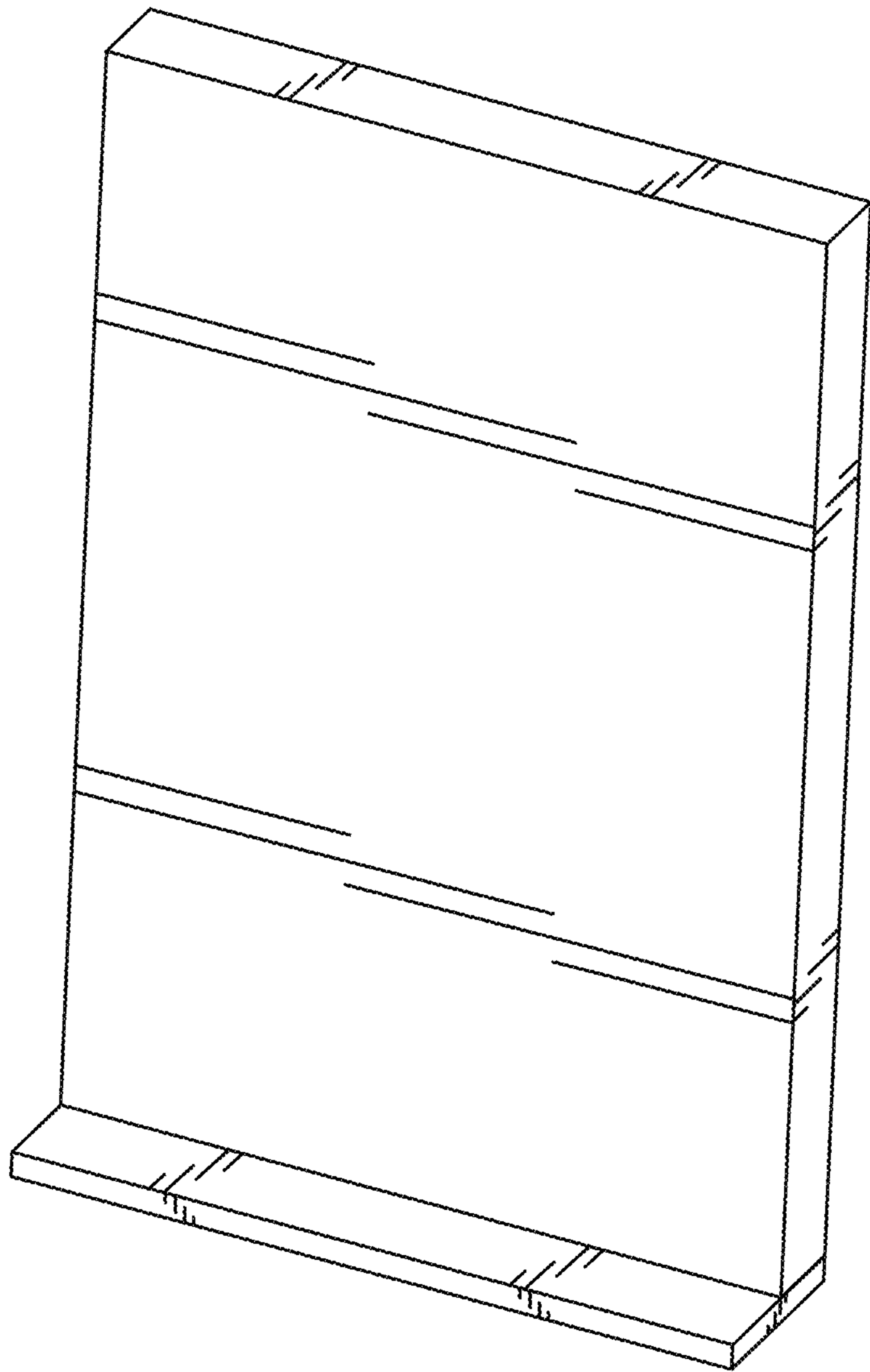


FIG. 1

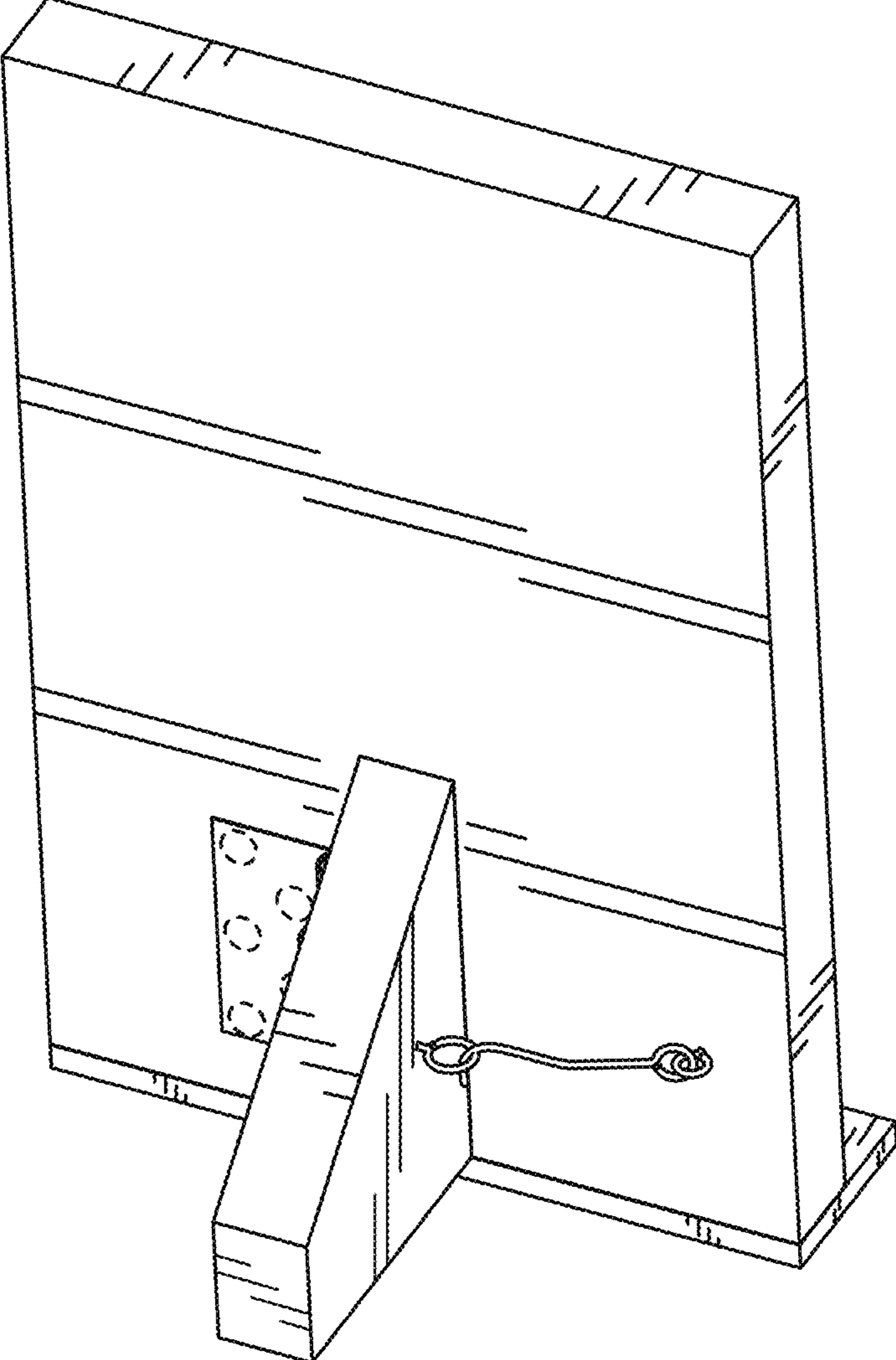


FIG. 2

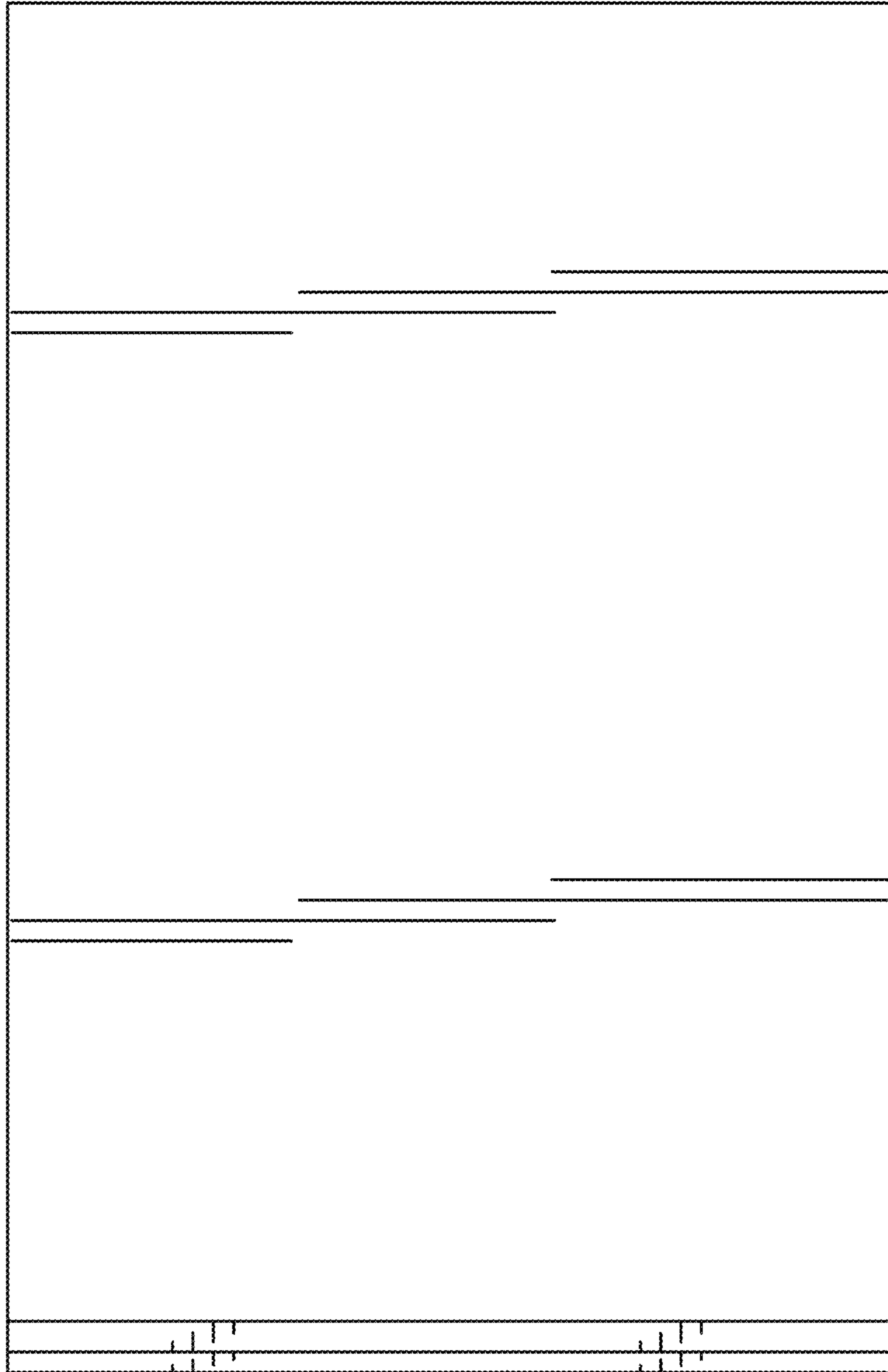


FIG. 3

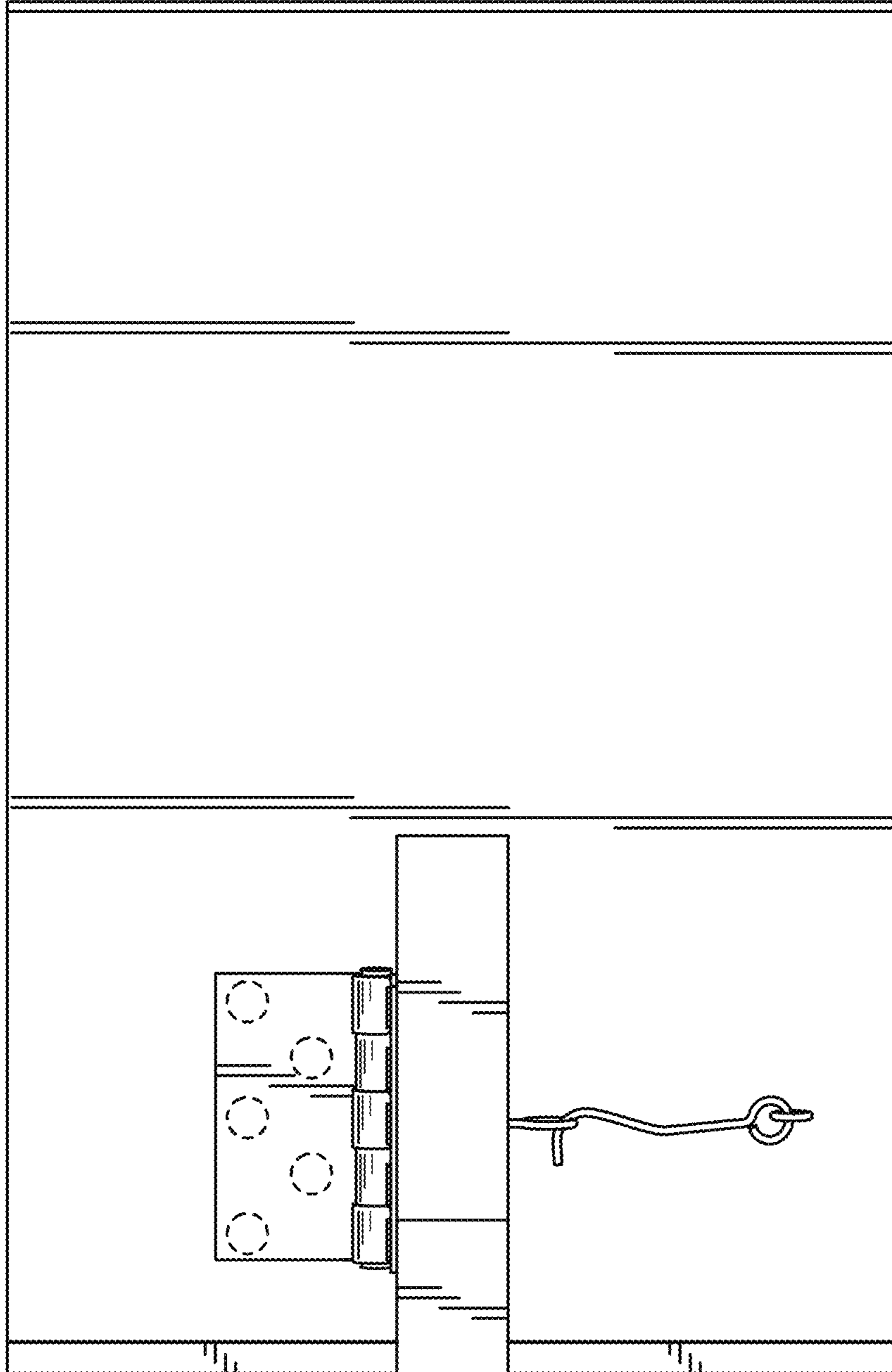


FIG. 4

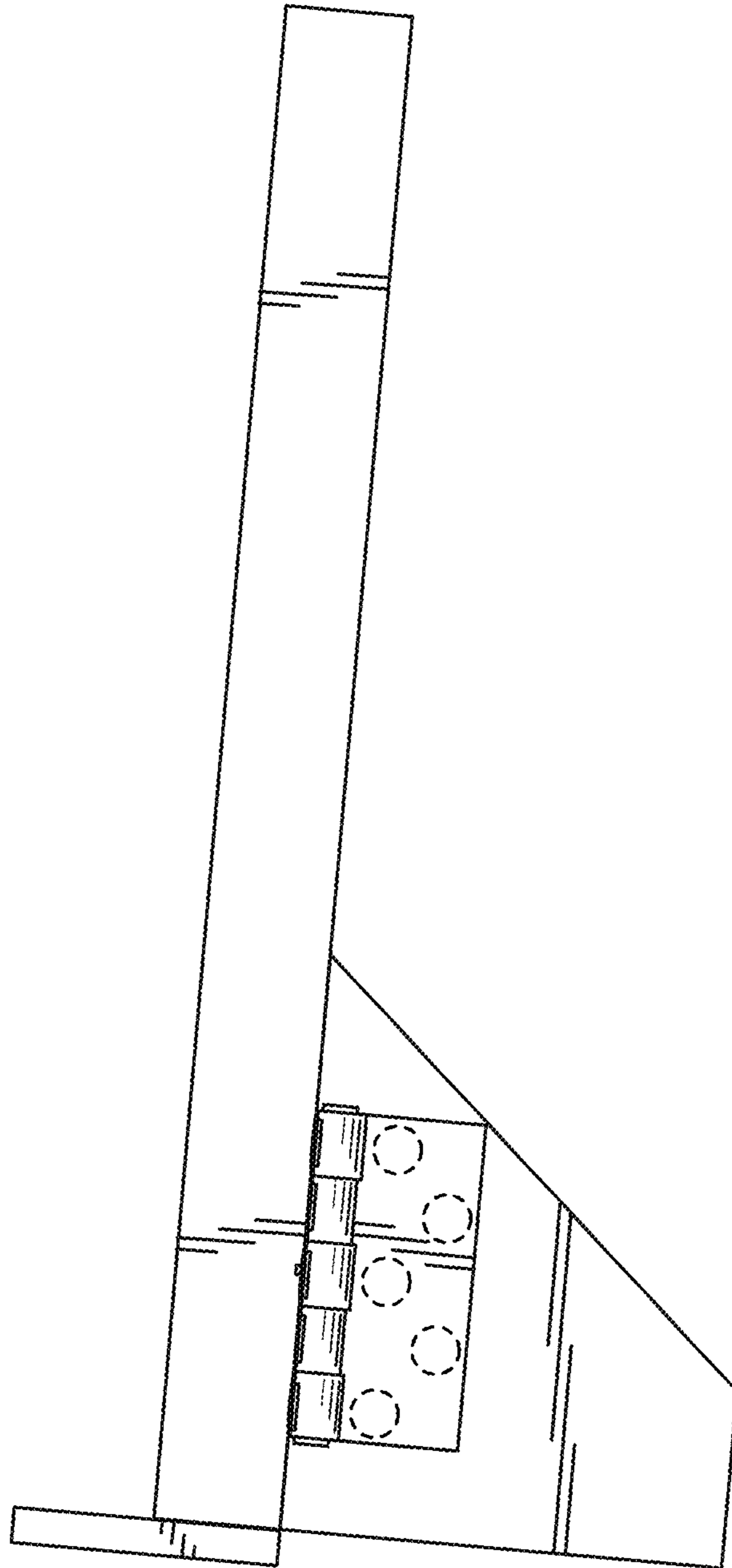


FIG. 5

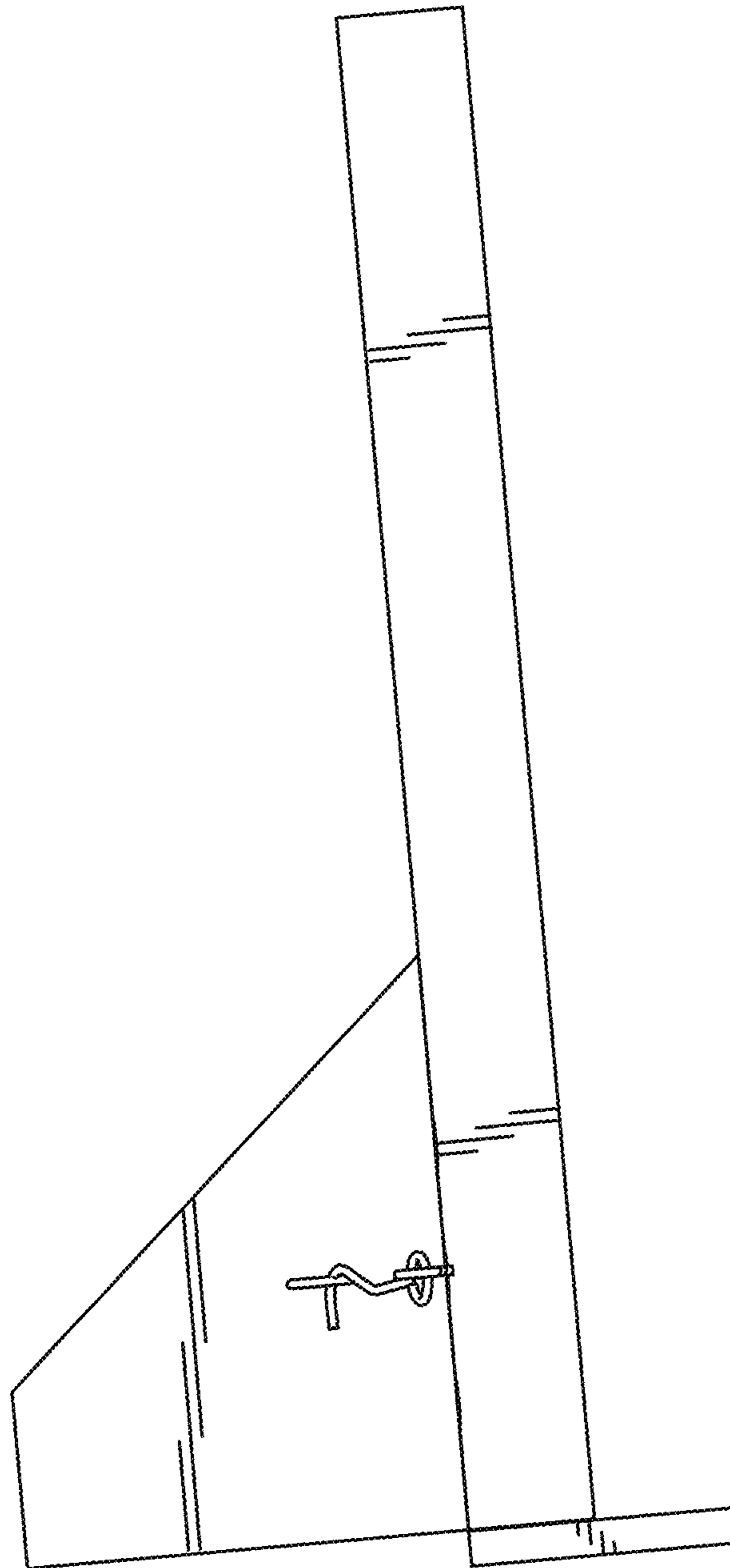


FIG. 6

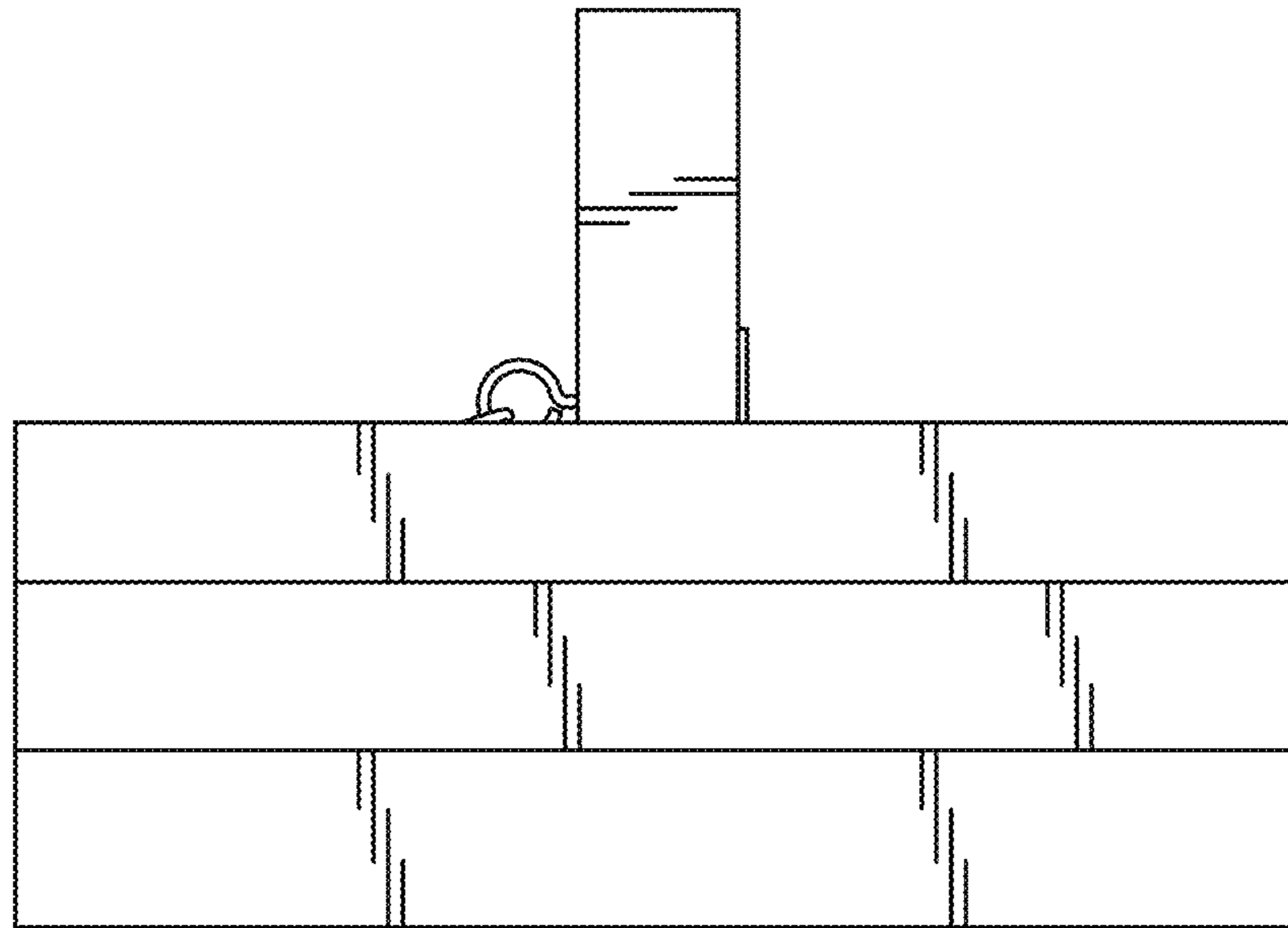


FIG. 7

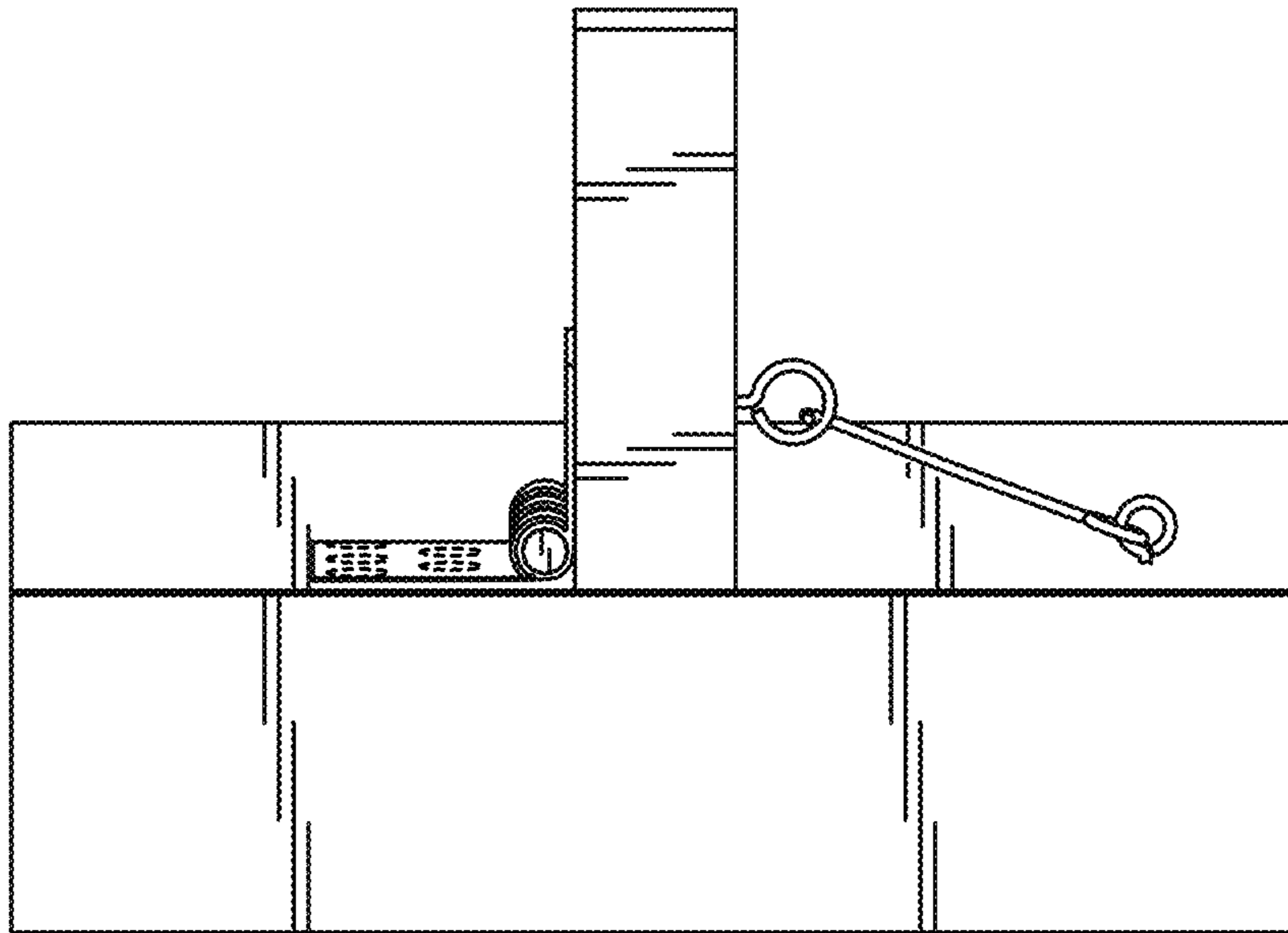


FIG. 8