

US00D800732S

(12) **United States Design Patent**
Dang et al.

(10) **Patent No.:** **US D800,732 S**

(45) **Date of Patent:** **** *Oct. 24, 2017**

- (54) **ELECTRONIC DEVICE SHELL**
- (71) Applicant: **BlackBerry Limited**, Waterloo (CA)
- (72) Inventors: **Christopher Duy-Liem Dang**,
Montreal (CA); **Di Tao**, Toronto (CA);
Leonardo Aldana, Waterloo (CA)
- (73) Assignee: **BlackBerry Limited**, Waterloo, Ontario
(CA)

D702,673 S *	4/2014	Murchison	D14/250
D712,393 S *	9/2014	Kim	D14/250
D723,038 S *	2/2015	Kim	D14/440
D727,331 S *	4/2015	Curran-Blaney	D14/440
D733,111 S *	6/2015	Kim	D14/250
D733,694 S *	7/2015	Kim	D14/250
D741,309 S *	10/2015	Kim	D14/250
D744,493 S *	12/2015	Kim	D14/440
D745,525 S *	12/2015	Bates	D14/440
D748,634 S *	2/2016	Hofer	D14/440
D750,086 S *	2/2016	Langhein	D14/440

(Continued)

(*) Notice: This patent is subject to a terminal disclaimer.

Primary Examiner — Cynthia Underwood

(74) *Attorney, Agent, or Firm* — Jon Gibbons; Fleit
Gibbons Gutman Bongini & Bianco P.L.

(**) Term: **15 Years**

(21) Appl. No.: **29/534,785**

(22) Filed: **Jul. 31, 2015**

(51) **LOC (10) Cl.** **14-02**

(52) **U.S. Cl.**
USPC **D14/440**

(58) **Field of Classification Search**
USPC D14/250, 440, 447; 206/45.23, 320,
206/45.2; 361/679.55; 294/25; 224/218
CPC G06F 1/1628; G06F 1/1613; G06F 1/1626;
A47B 23/044
See application file for complete search history.

(56) **References Cited**

U.S. PATENT DOCUMENTS

D546,878 S *	7/2007	Bharma	D19/26
D624,304 S *	9/2010	Danze	D3/201
D628,374 S *	12/2010	Lee	D3/201
D641,348 S *	7/2011	Kim	D14/250
D652,829 S *	1/2012	Kim	D14/250
D654,069 S *	2/2012	Kwon	D14/250
D657,354 S *	4/2012	Kim	D14/250
D659,139 S *	5/2012	Gengler	D14/392
D669,480 S *	10/2012	Piedra	D14/440
D674,800 S *	1/2013	Kim	D14/440
D676,448 S *	2/2013	Gorman	D14/440

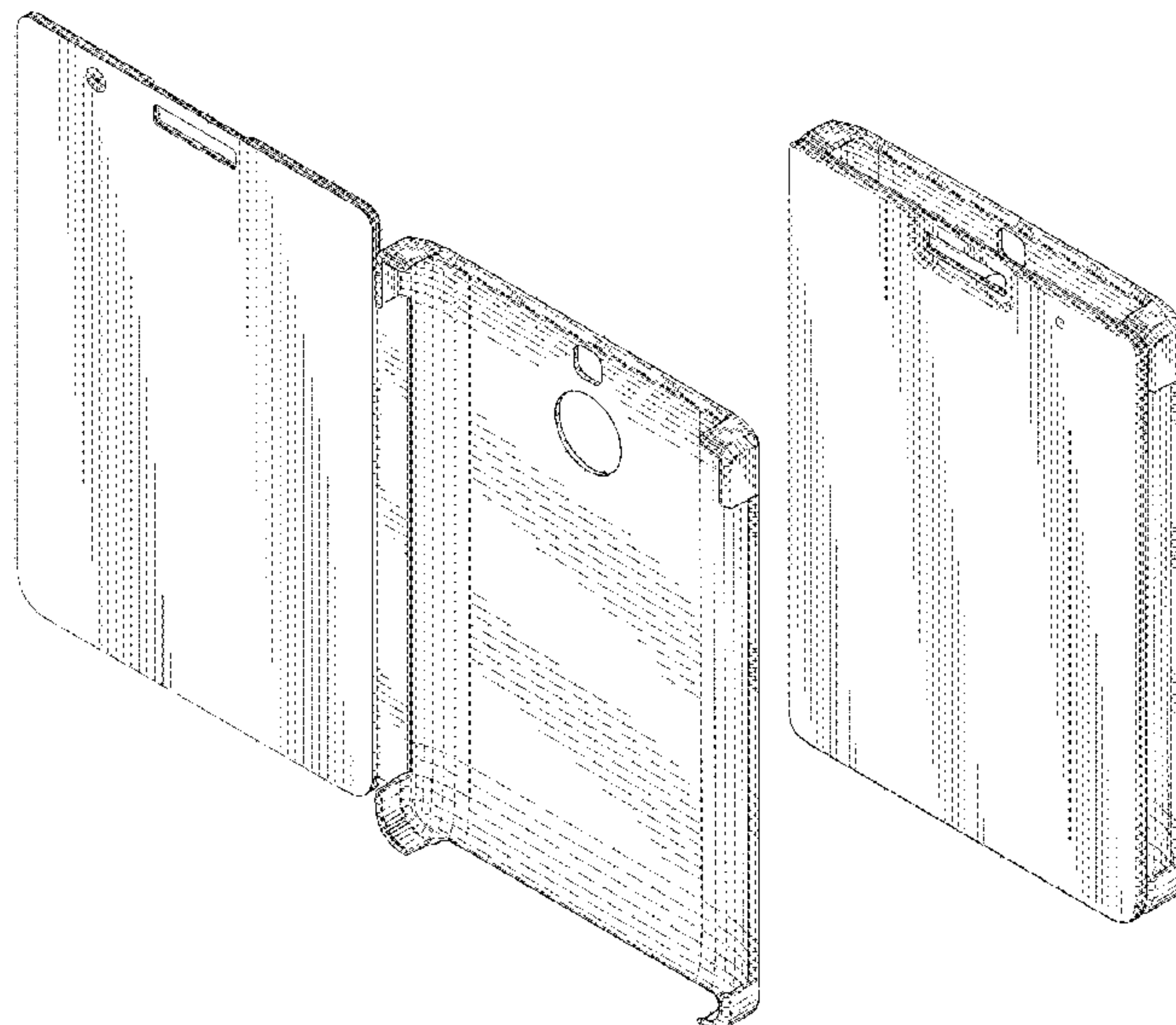
(57) **CLAIM**

The ornamental design for an electronic device shell, as shown and described.

DESCRIPTION

FIG. 1 is a first perspective view of the electronic device shell;
 FIG. 2 is a second perspective view thereof;
 FIG. 3 is a first elevational view thereof;
 FIG. 4 is a second elevational view thereof;
 FIG. 5 is a first side elevational view thereof;
 FIG. 6 is a second side elevational view thereof;
 FIG. 7 is a top plan view thereof;
 FIG. 8 is a bottom plan view thereof;
 FIG. 9 is a first perspective view of the electronic device shell in another configuration;
 FIG. 10 is a second perspective view thereof;
 FIG. 11 is a first elevational view thereof;
 FIG. 12 is a second elevational view thereof;
 FIG. 13 is a first side elevational view thereof;
 FIG. 14 is a second side elevational view thereof;
 FIG. 15 is a top plan view thereof; and,
 FIG. 16 is a bottom plan view thereof.

1 Claim, 12 Drawing Sheets



(56)

References Cited

U.S. PATENT DOCUMENTS

2011/0290687 A1* 12/2011 Han A45C 3/02
206/320
2012/0178507 A1* 7/2012 Lee A45C 11/00
455/575.1
2013/0015088 A1* 1/2013 Wu A45C 11/00
206/320
2013/0214661 A1* 8/2013 McBroom G06F 1/1667
312/325
2013/0264459 A1* 10/2013 McCosh G06F 1/1626
248/688

* cited by examiner

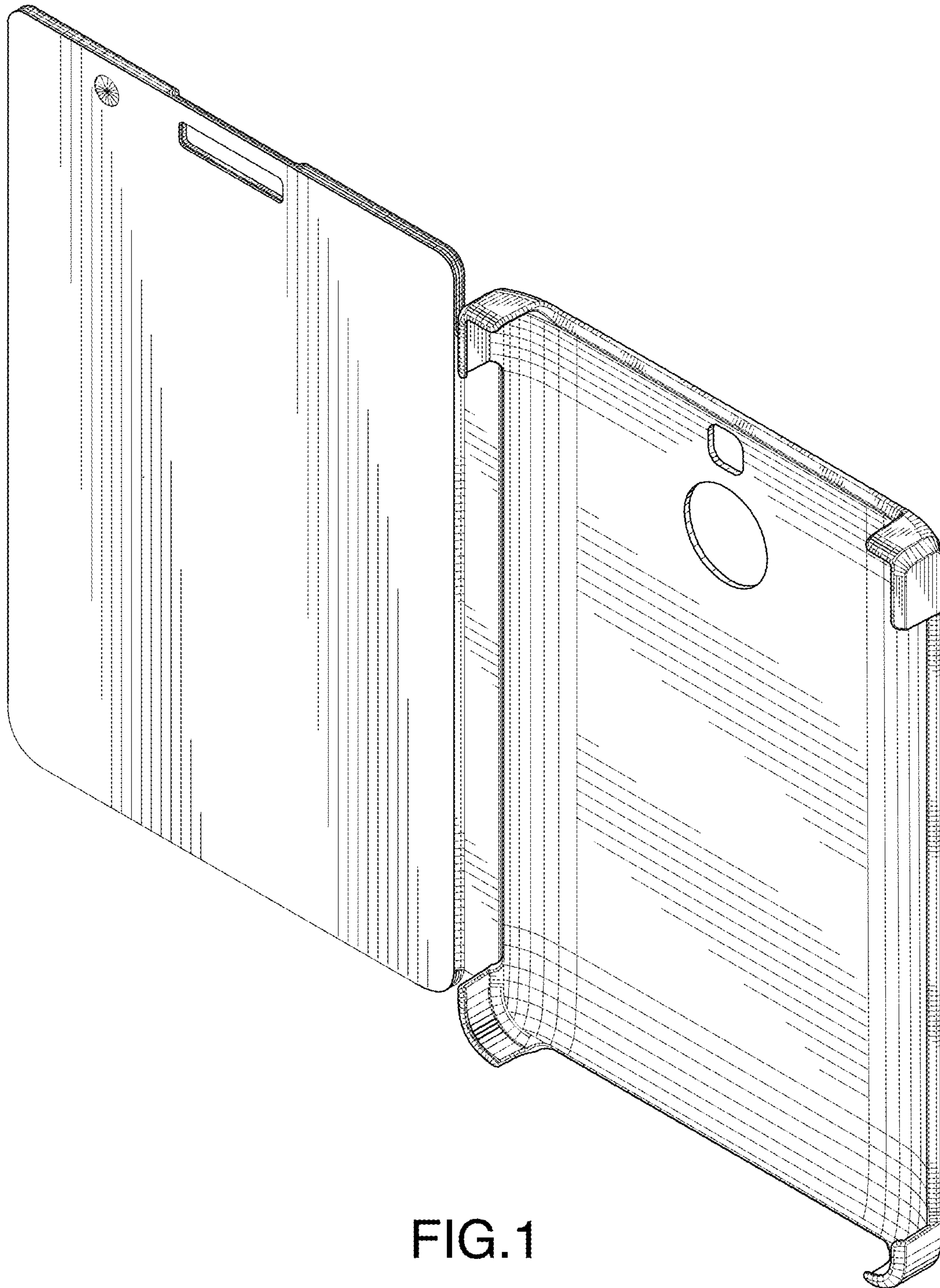


FIG. 1

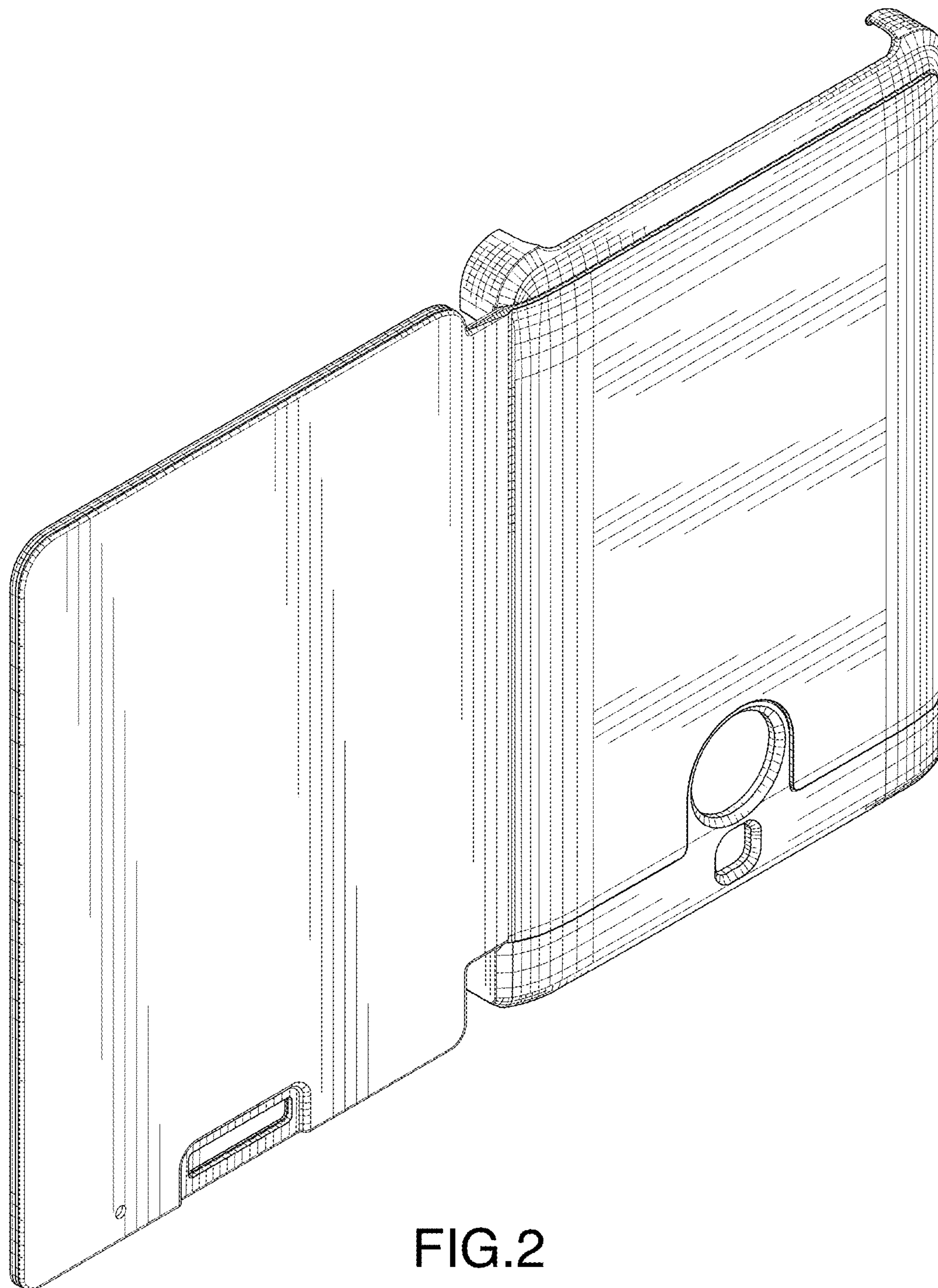


FIG.2

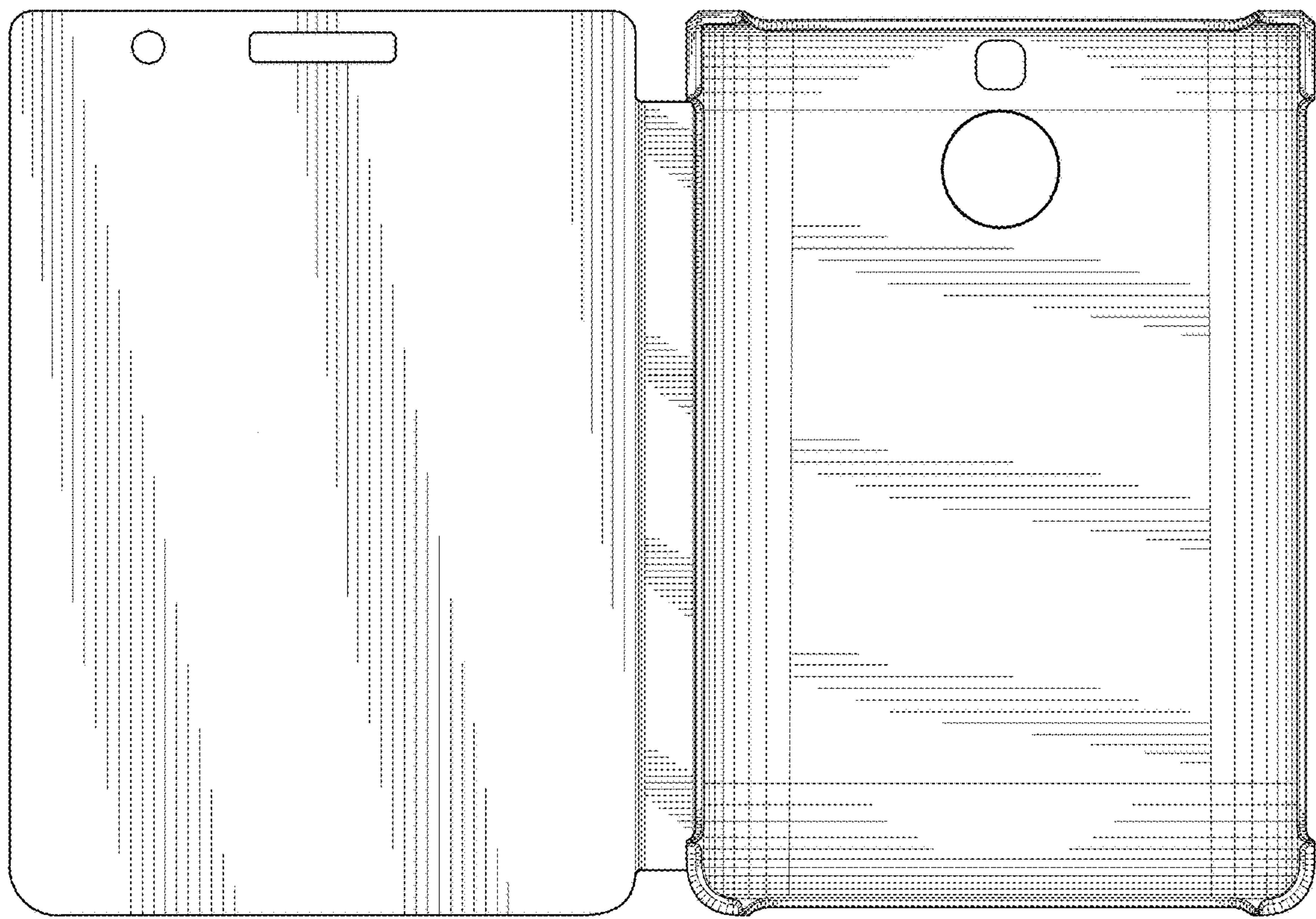


FIG.3

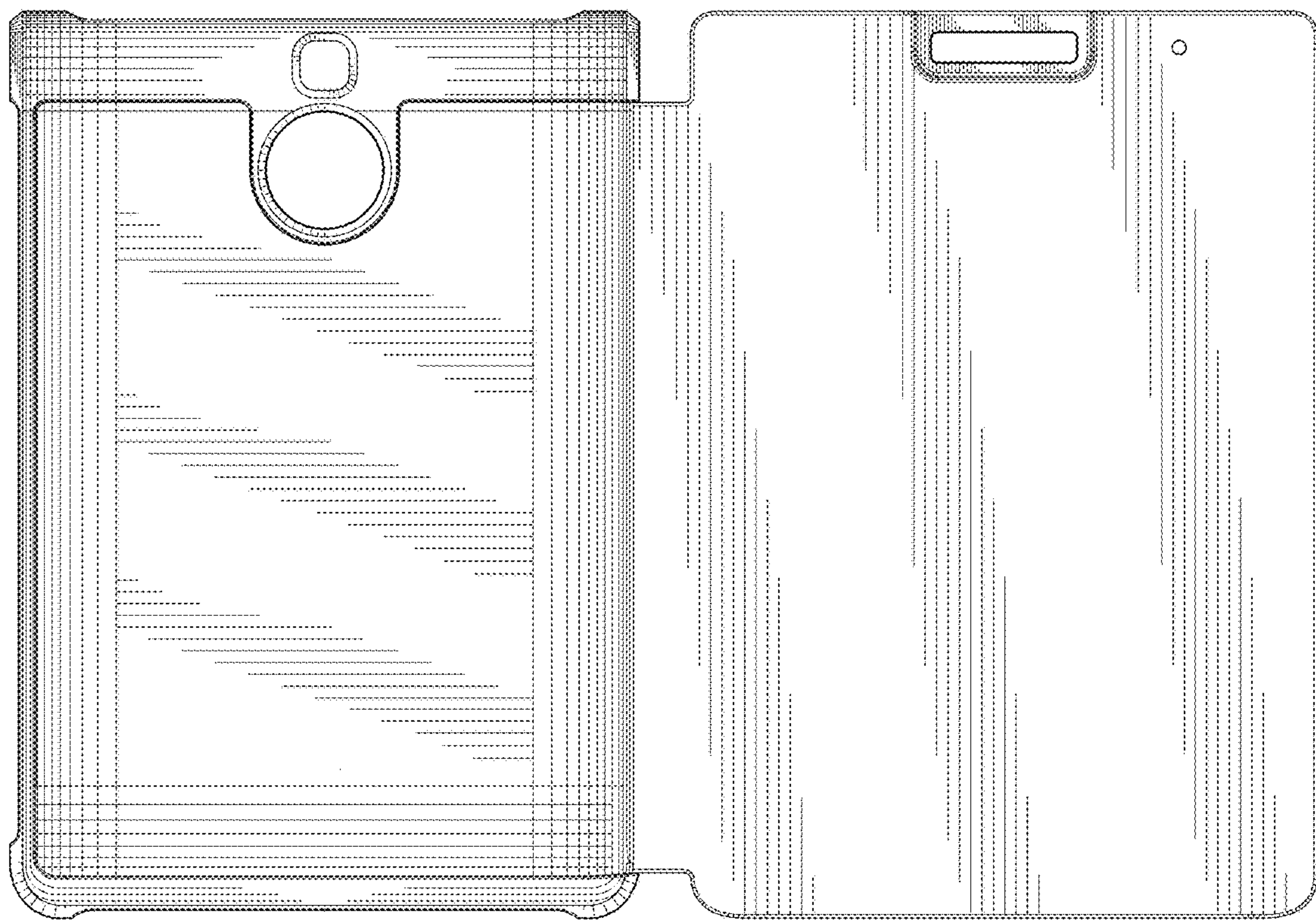


FIG.4

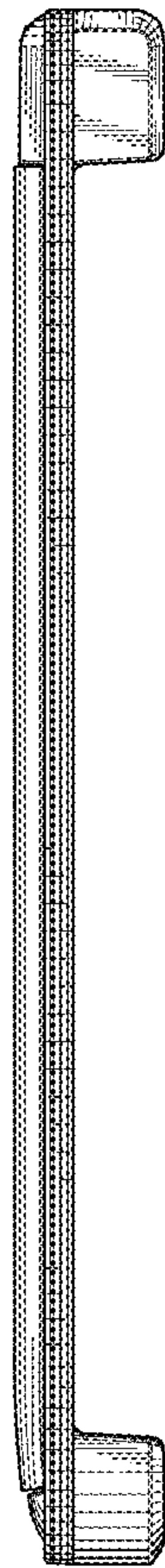


FIG. 5

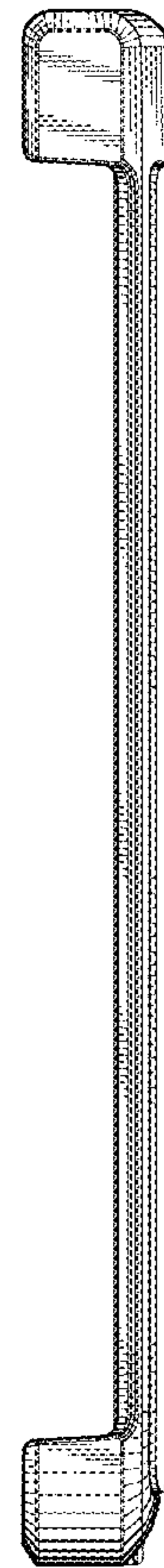


FIG. 6

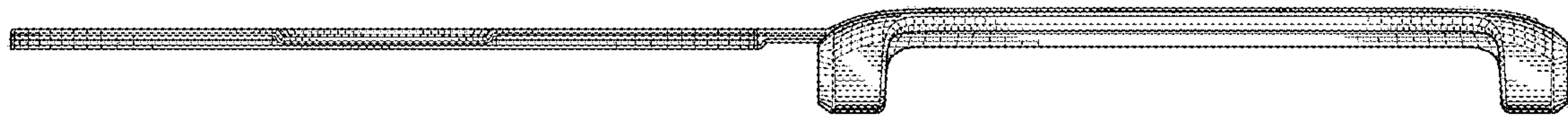


FIG. 7

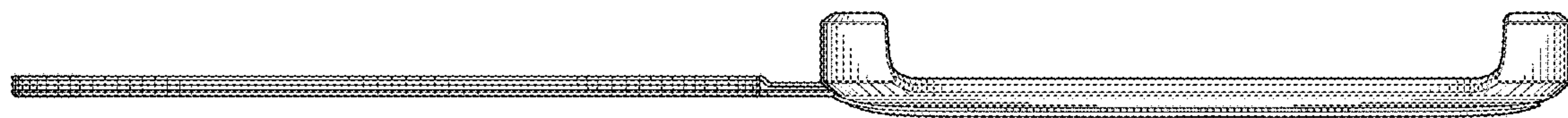


FIG. 8

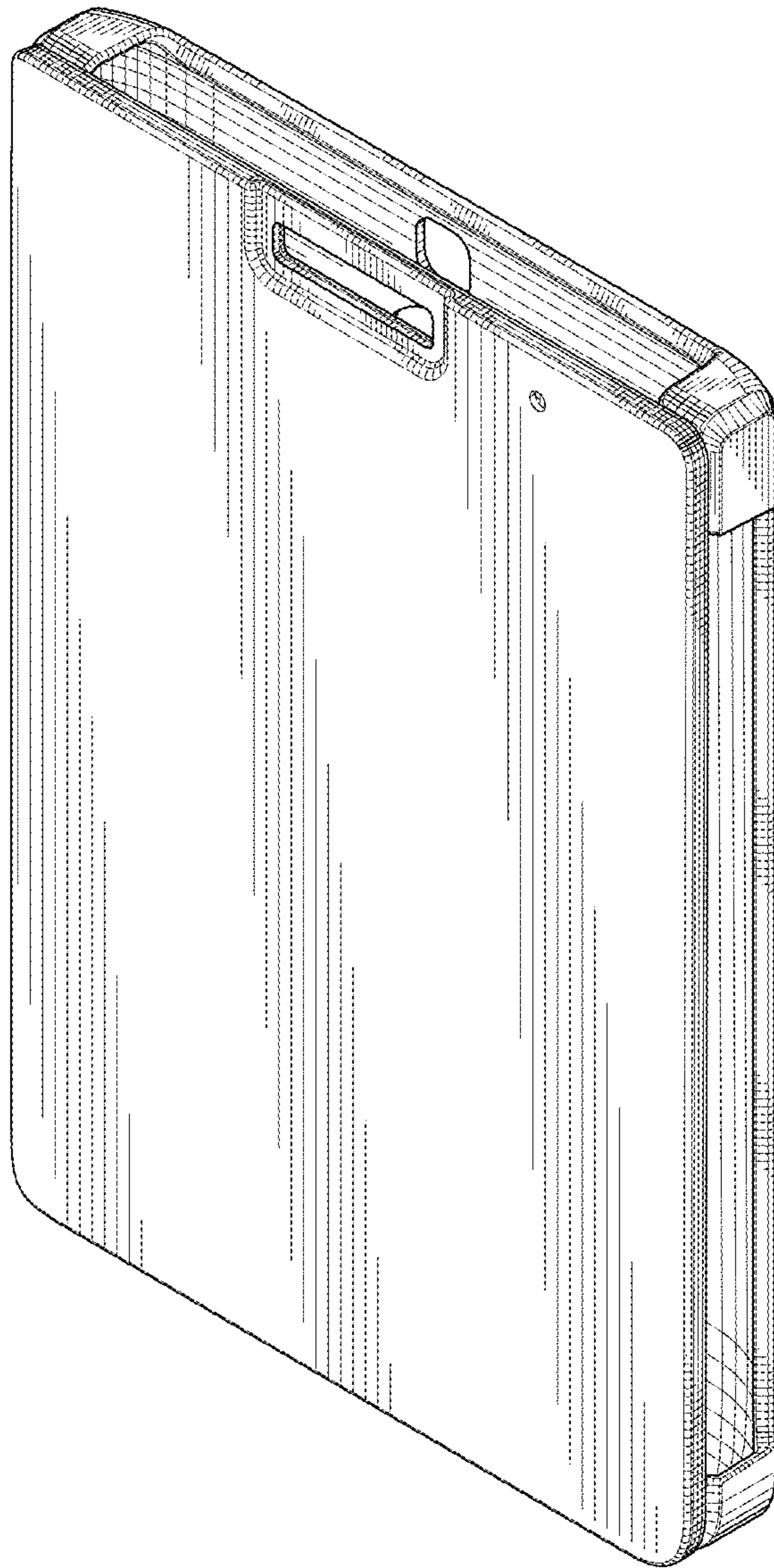


FIG.9

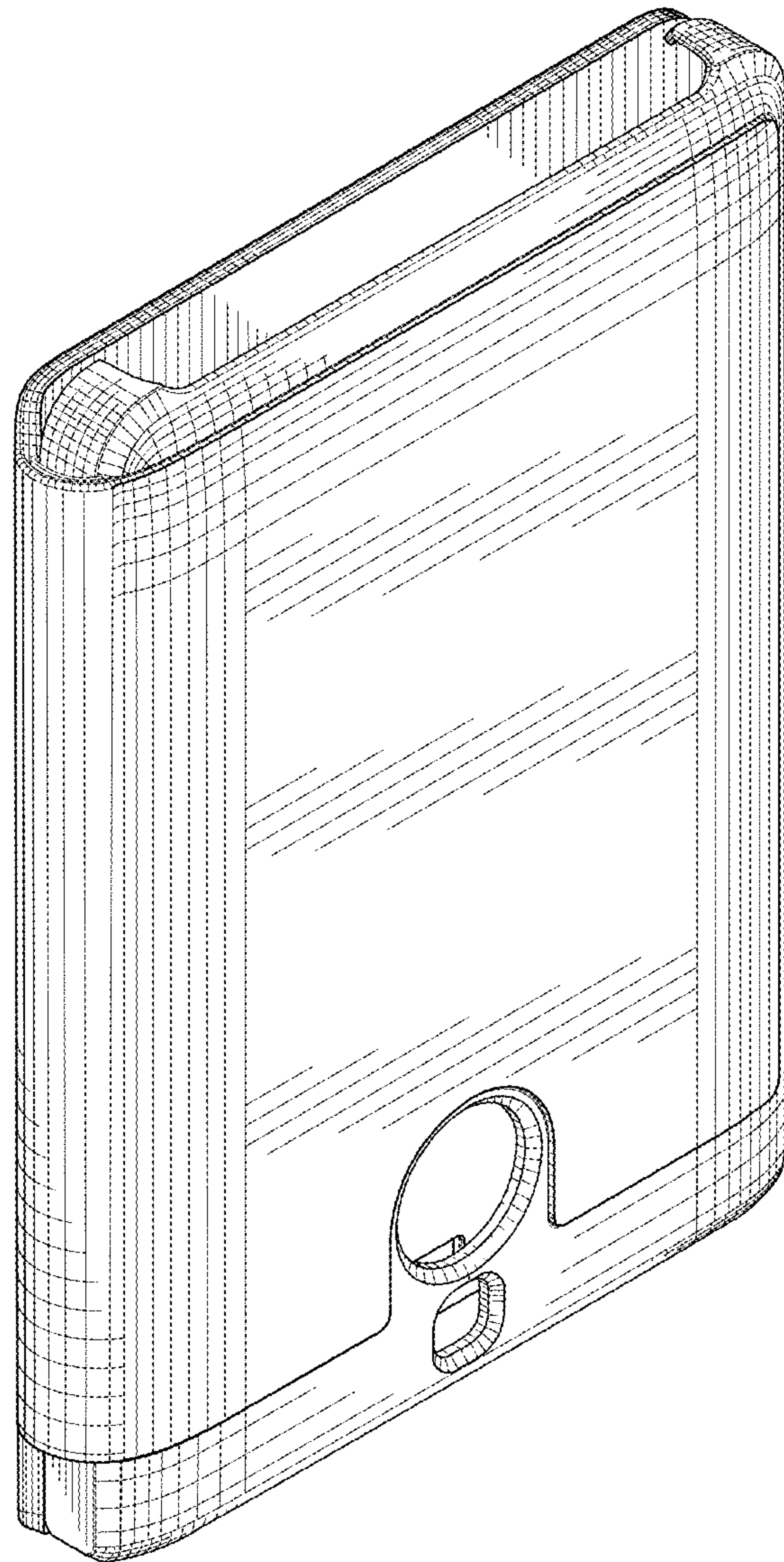


FIG.10

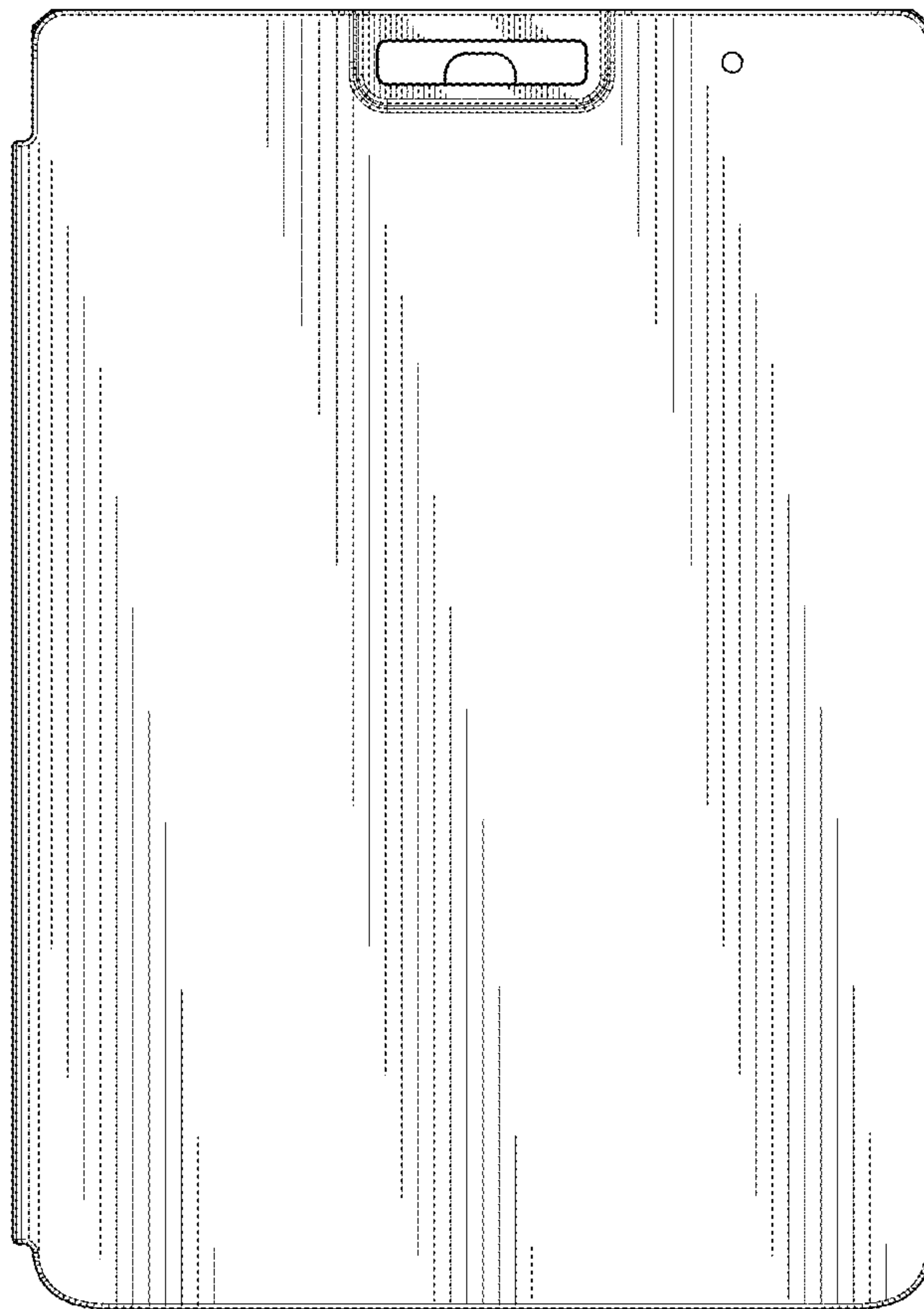


FIG.11

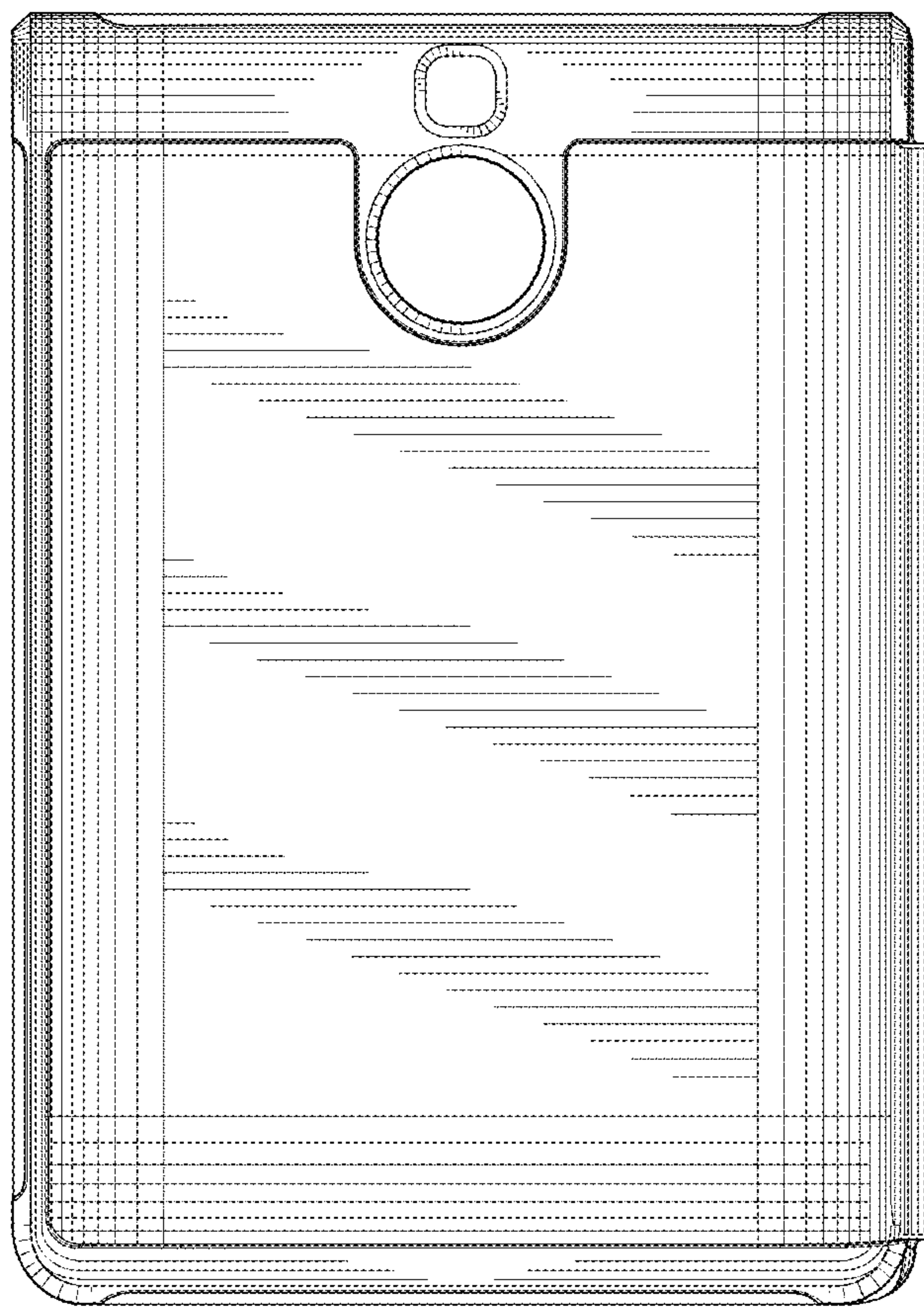


FIG.12

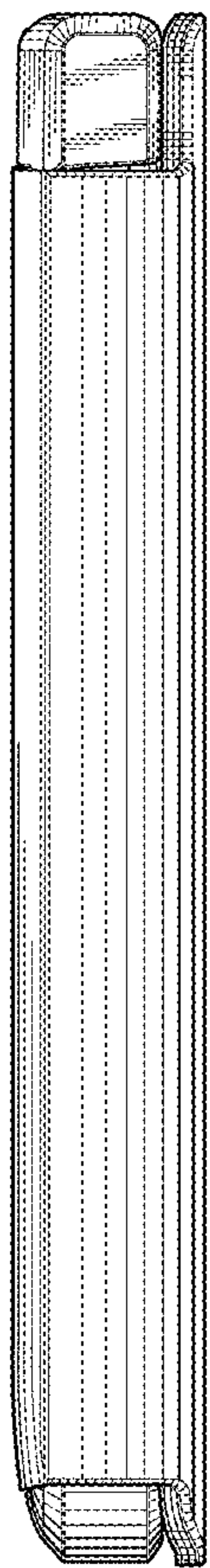


FIG. 13

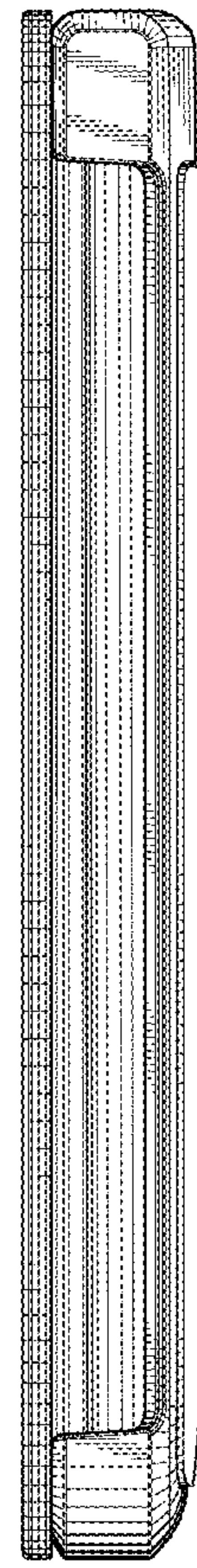


FIG. 14

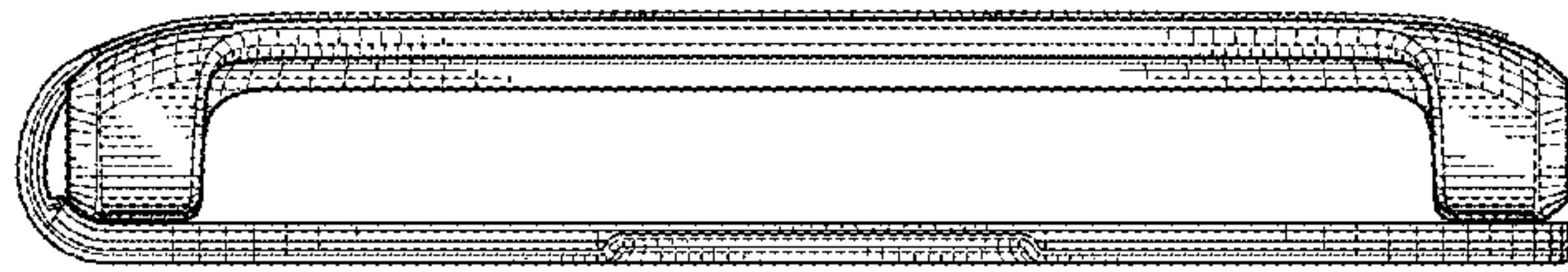


FIG. 15

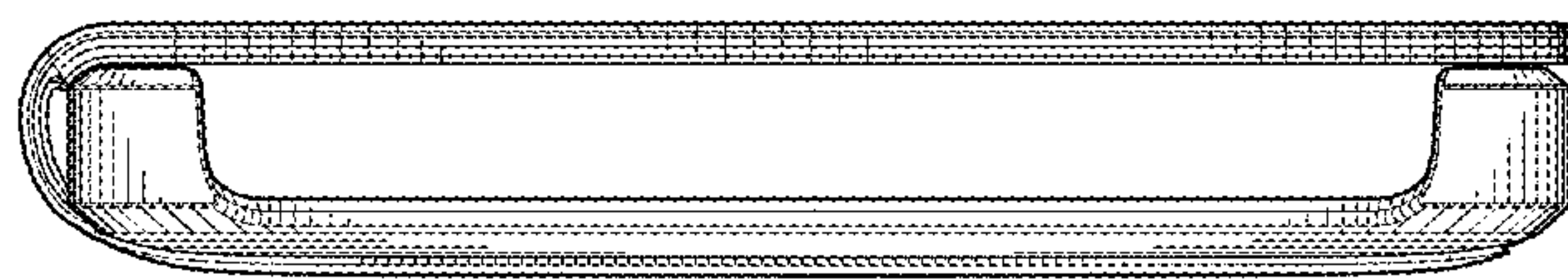


FIG. 16