



US00D800731S

(12) **United States Design Patent**
He

(10) **Patent No.:** **US D800,731 S**

(45) **Date of Patent:** **** Oct. 24, 2017**

(54) **DOUBLE USB AM TO MICRO USB DATA CABLE**

(71) Applicant: **DONGGUAN CITY JIANGHAN ELECTRONICS CO., LTD,**
Guangdong Province (CN)

(72) Inventor: **Tiejun He,** Guangdong Province (CN)

(**) Term: **15 Years**

(21) Appl. No.: **29/575,845**

(22) Filed: **Aug. 30, 2016**

(51) **LOC (10) Cl.** **14-02**

(52) **U.S. Cl.**
USPC **D14/433**

(58) **Field of Classification Search**
USPC D14/356, 432-434, 453, 454, 511, 203.8,
D14/209.1, 238.1, 240, 125; 439/638,
439/928, 105, 502; 710/303, 304;
361/679.41, 679.55, 679.56; D13/110,
D13/133, 146
CPC H01R 24/64; H01R 24/62; H01R 12/714;
H01R 13/506; H01R 13/6658
See application file for complete search history.

(56) **References Cited**

U.S. PATENT DOCUMENTS

D711,383 S * 8/2014 Lam D14/433
D730,903 S * 6/2015 Langhammer D14/433
D731,488 S * 6/2015 Lee D14/433
D731,489 S * 6/2015 Langhammer D14/433

D733,142 S * 6/2015 Solomon D14/433
D743,965 S * 11/2015 Laffon de Mazieres D13/154
D746,291 S * 12/2015 Solomon D14/433
D760,720 S * 7/2016 Laffon de Mazieres D14/433
D761,262 S * 7/2016 Solomon D14/433
D779,492 S * 2/2017 Lin D14/433
D782,484 S * 3/2017 Hu D14/433
D784,340 S * 4/2017 Laffon de Mazieres D14/433

* cited by examiner

Primary Examiner — Austin Murphy

(74) *Attorney, Agent, or Firm* — Prakash Nama; Global IP Services, PLLC

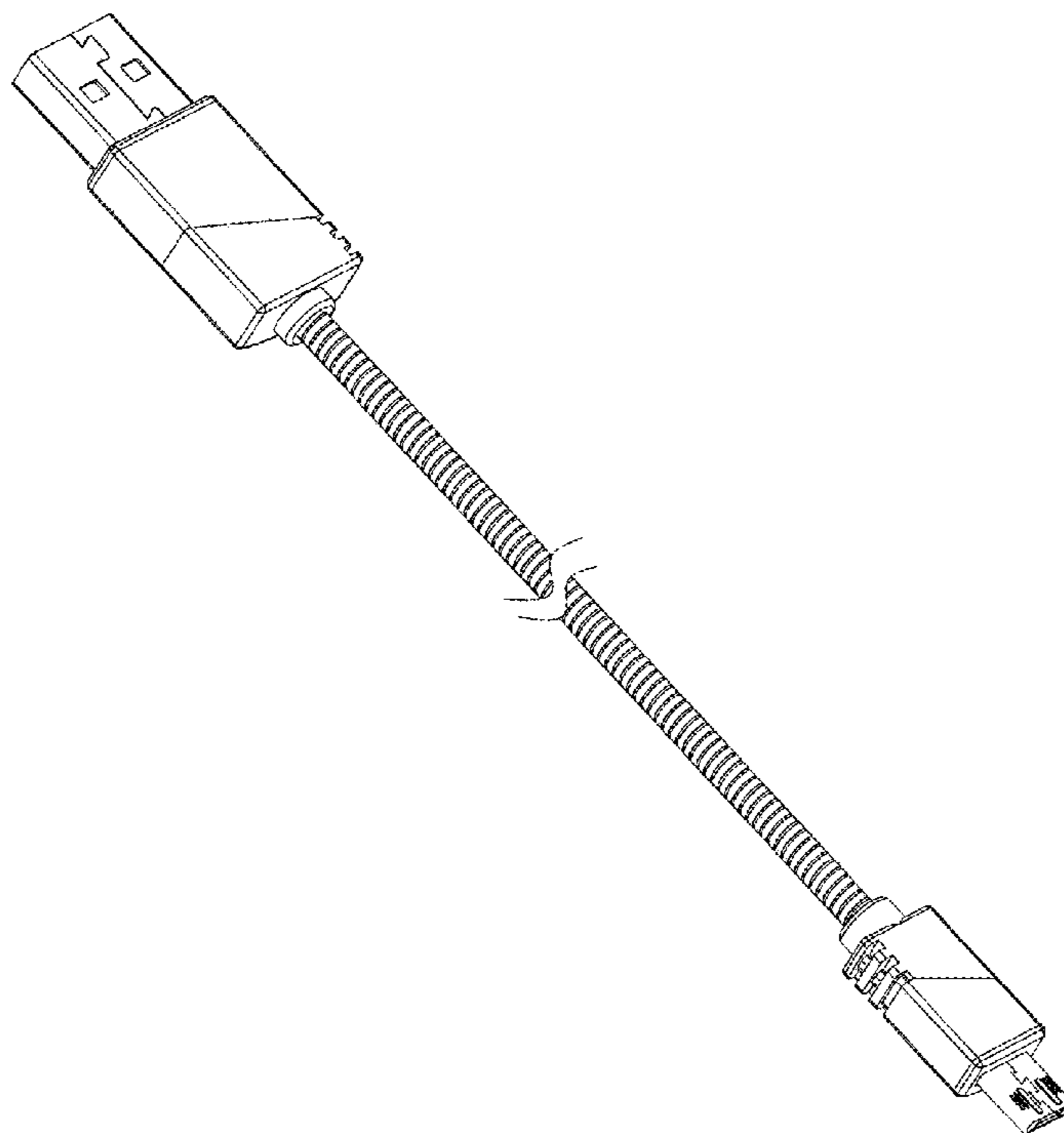
(57) **CLAIM**

The ornamental design for a double USB AM to micro USB data cable, as shown and described.

DESCRIPTION

FIG. 1 is a front elevational view of a double USB AM to micro USB data cable showing my new design;
FIG. 2 is a rear elevational view thereof;
FIG. 3 is a left side view thereof;
FIG. 4 is a right side view thereof;
FIG. 5 is a top plan view thereof;
FIG. 6 is a bottom plan view thereof;
FIG. 7 is a perspective view thereof; and,
FIG. 8 is another perspective view thereof.
A middle part of the cable is shown broken in the FIGS. to represent indefinite length of the cable.

1 Claim, 5 Drawing Sheets



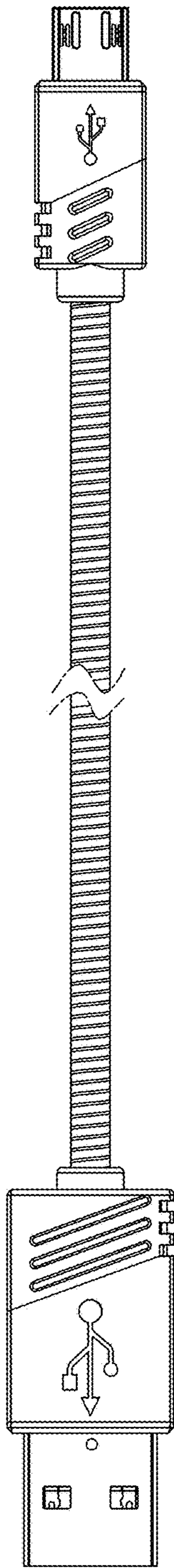


FIG. 1

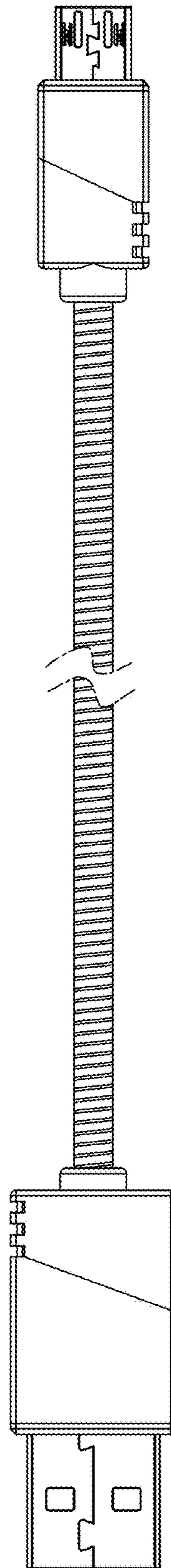


FIG. 2

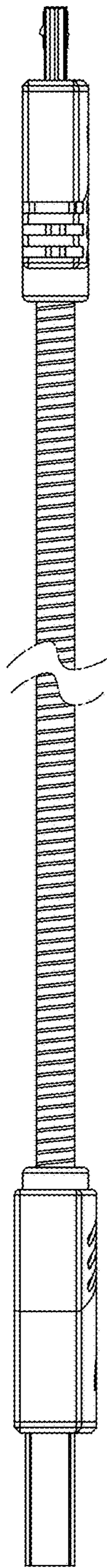


FIG. 3

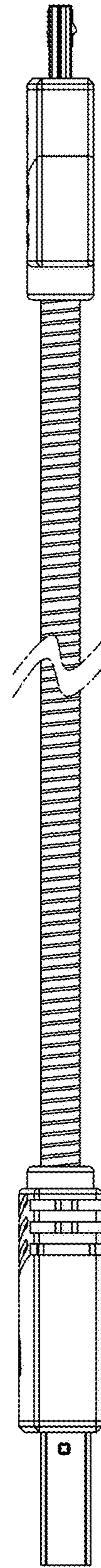


FIG. 4

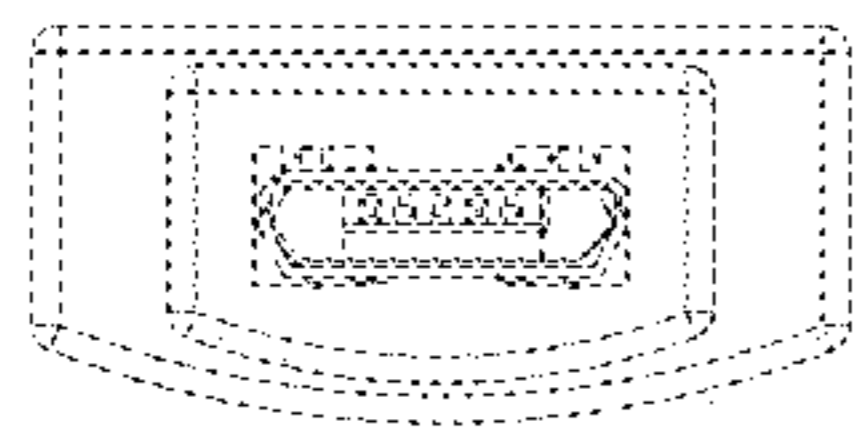


FIG. 5

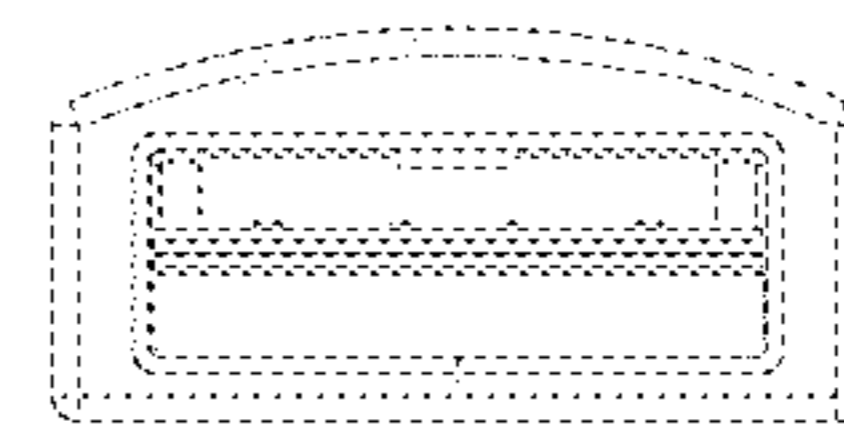


FIG. 6

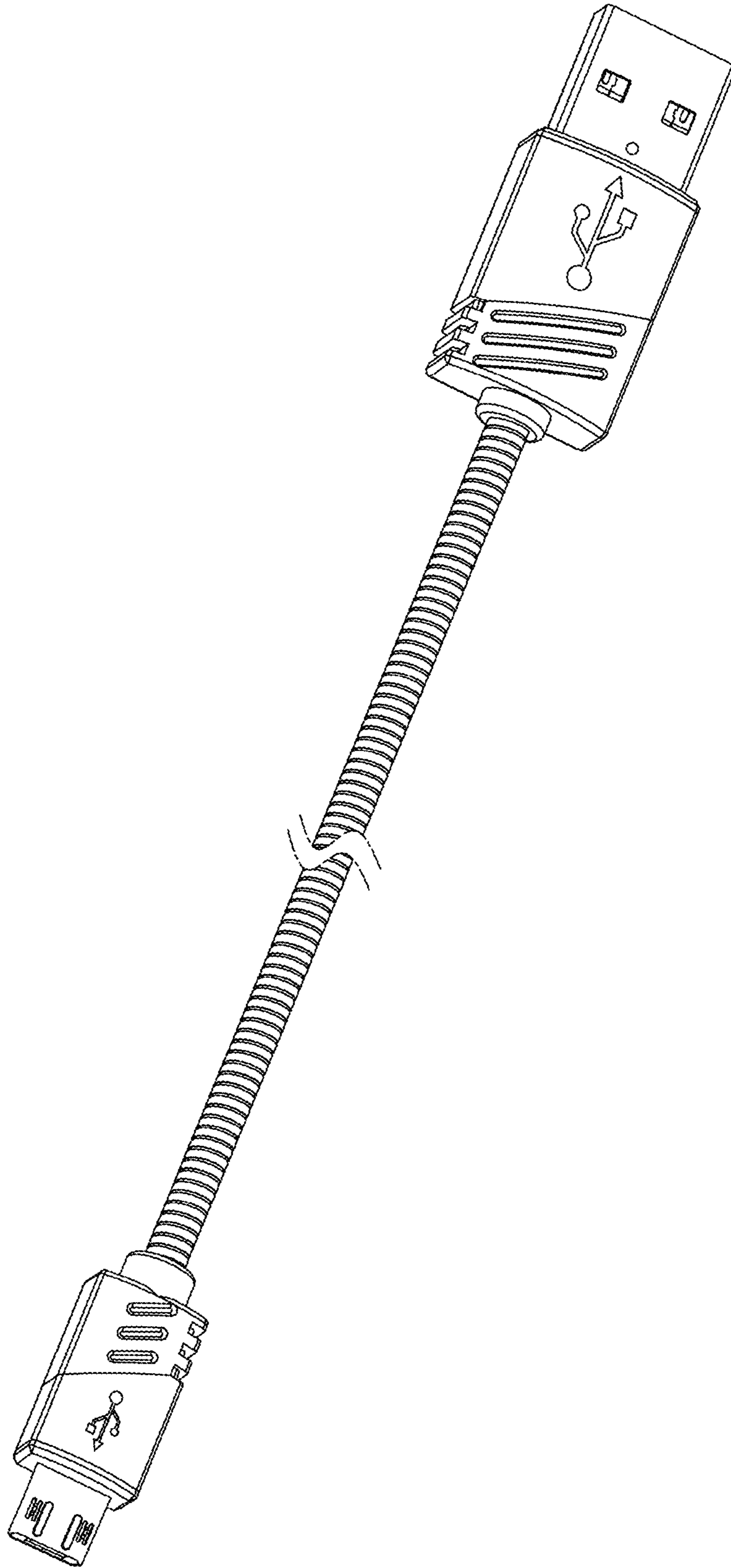


FIG. 7

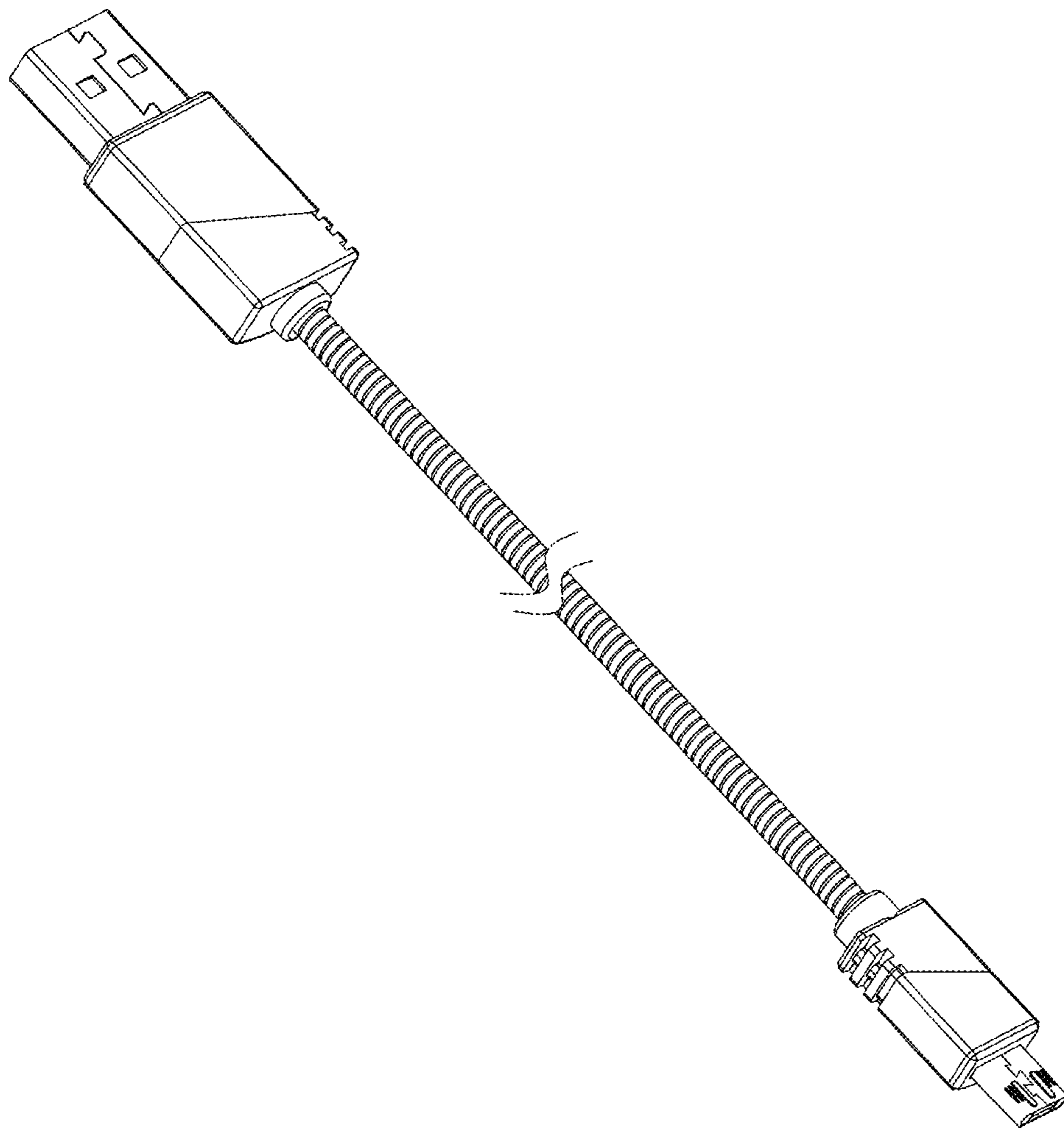


FIG. 8