



US00D800730S

(12) **United States Design Patent** (10) **Patent No.:** **US D800,730 S**
Liao (45) **Date of Patent:** **** Oct. 24, 2017**

(54) **TABLET DOCKING ADAPTER**
(71) Applicant: **Zhuowen Liao**, Shenzhen (CN)
(72) Inventor: **Zhuowen Liao**, Shenzhen (CN)
(**) Term: **15 Years**
(21) Appl. No.: **29/564,115**
(22) Filed: **May 11, 2016**

(30) **Foreign Application Priority Data**

Jan. 12, 2016 (CN) 2016 3 0009752

(51) **LOC (10) Cl.** **14-02**

(52) **U.S. Cl.**
USPC **D14/433**

(58) **Field of Classification Search**
USPC D18/4.4, 4.5, 4.6, 12, 12.1, 12.3;
D14/383, 384, 385, 386, 378
CPC G06K 19/07749; G06K 19/0723; G06K
19/041; G06K 19/07758; G06K 19/0775;
G06K 19/07783; G06K 19/07794; G06K
19/06046; G06K 19/07722; G06K
19/07773; G06K 19/07779; G06K
19/07784; G06K 19/07786; G06K
19/0709

See application file for complete search history.

(56) **References Cited**

U.S. PATENT DOCUMENTS

D560,165 S * 1/2008 Matityahu D13/133
D591,270 S * 4/2009 Jakobson D14/217

D664,146 S * 7/2012 Hoehn D14/433
D693,768 S * 11/2013 Alesi D13/110
D705,189 S * 5/2014 Chovin D14/159
D711,884 S * 8/2014 Turksu D14/433
D740,291 S * 10/2015 Turksu D14/433
D751,527 S * 3/2016 Hinokio D14/204
D772,879 S * 11/2016 Eliyahu D14/433
D776,659 S * 1/2017 Hou D14/433
D791,138 S * 7/2017 Eliyahu D14/435.1
D793,397 S * 8/2017 Eliyahu D14/433
D794,028 S * 8/2017 Lin D14/433

* cited by examiner

Primary Examiner — Austin Murphy

(74) *Attorney, Agent, or Firm* — Roger H. Chu

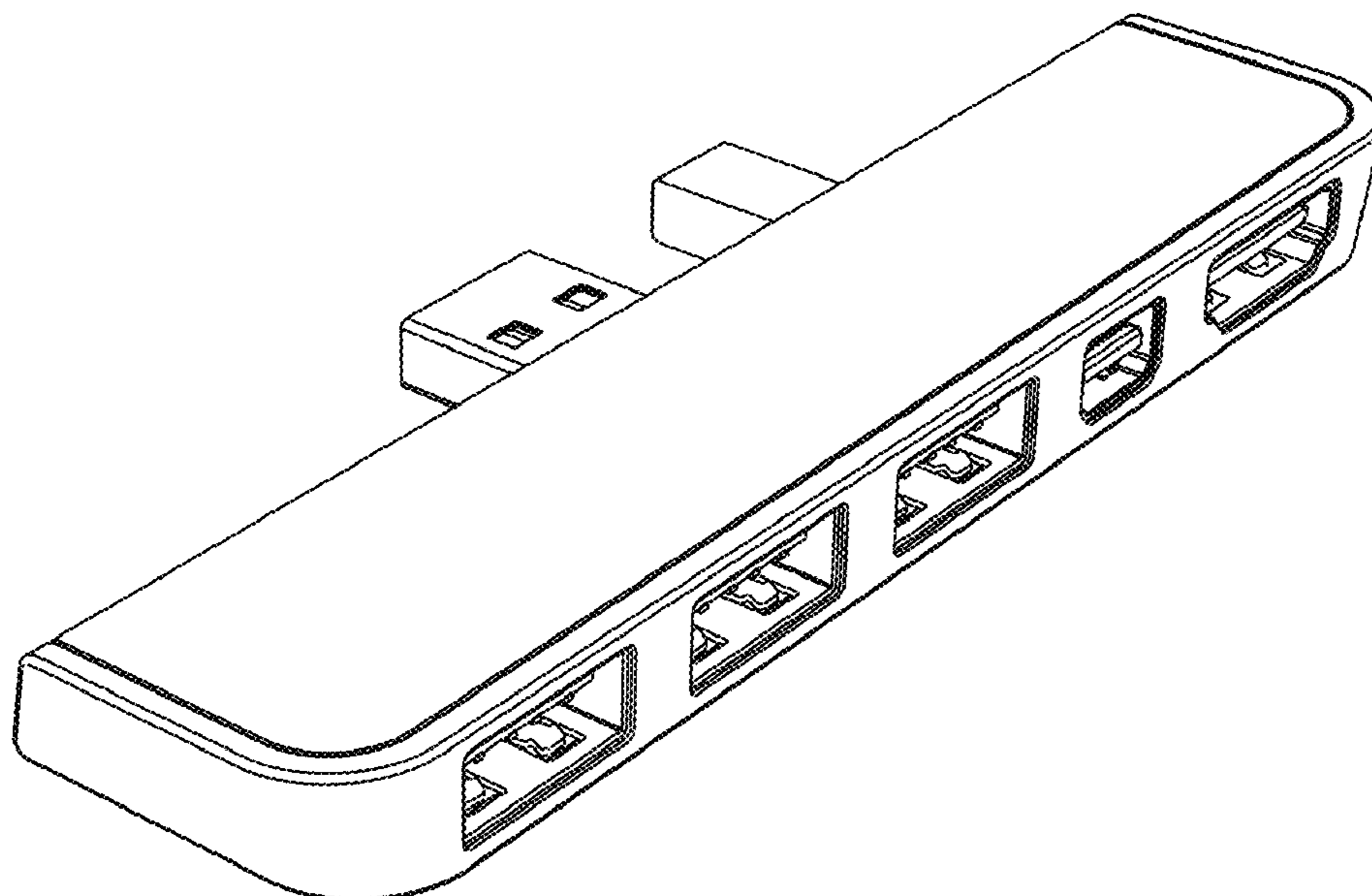
(57) **CLAIM**

The ornamental design of a tablet docking adapter, as shown and described.

DESCRIPTION

FIG. 1 is a top view of a tablet docking adapter showing my design;
FIG. 2 is a left side view thereof;
FIG. 3 is a right side view thereof;
FIG. 4 is a bottom view thereof;
FIG. 5 is a front view thereof;
FIG. 6 is a rear view thereof; and,
FIG. 7 is a perspective view thereof.

1 Claim, 7 Drawing Sheets



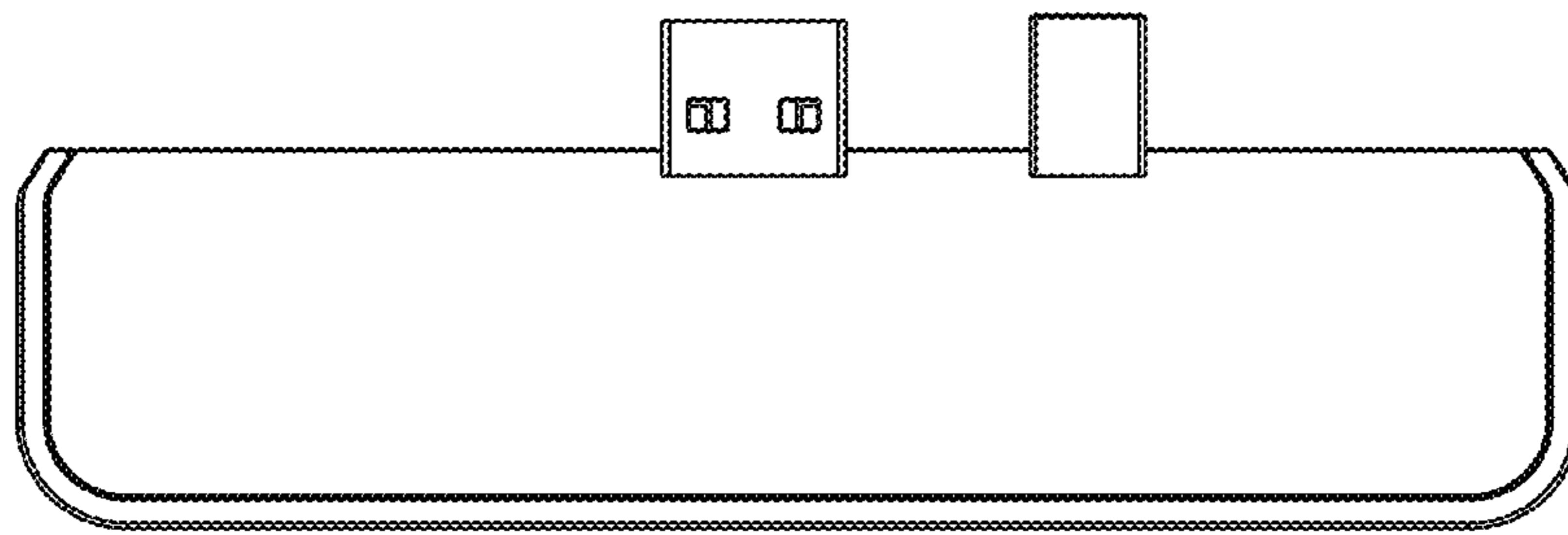


Fig 1



Fig 2

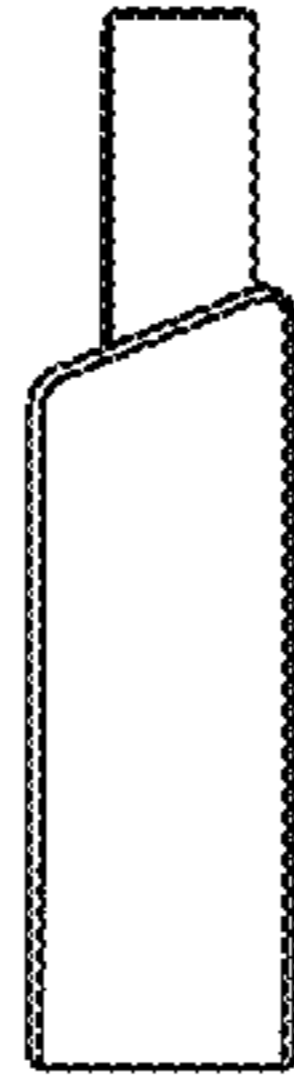


Fig 3

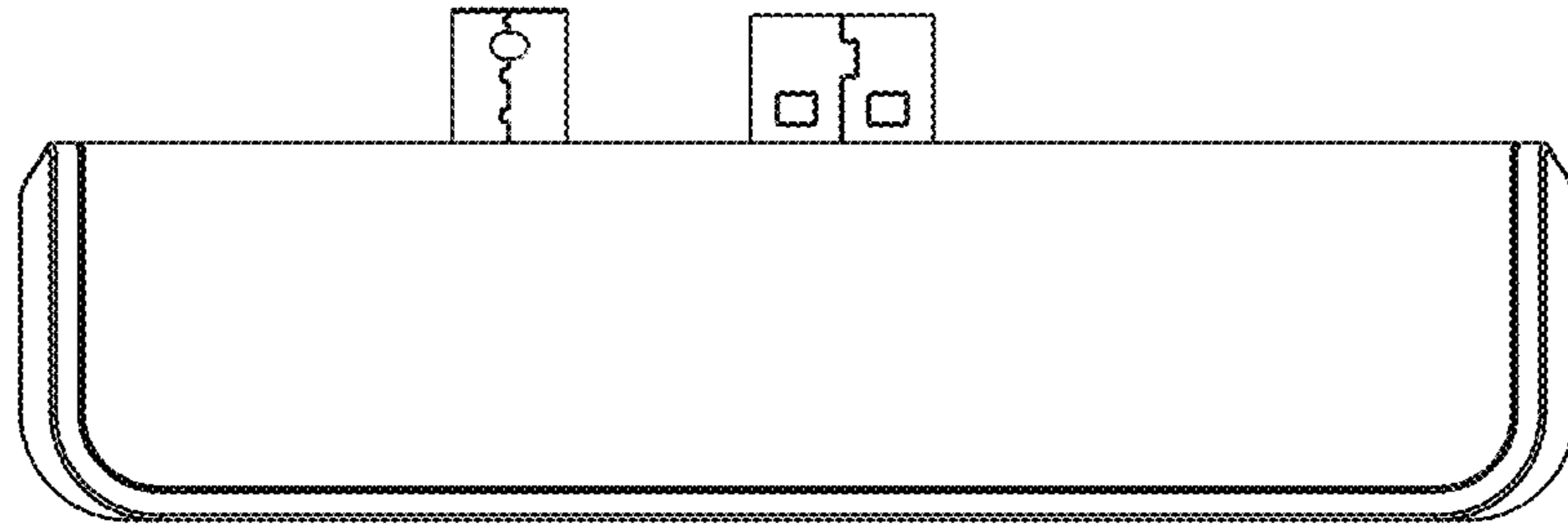


Fig 4

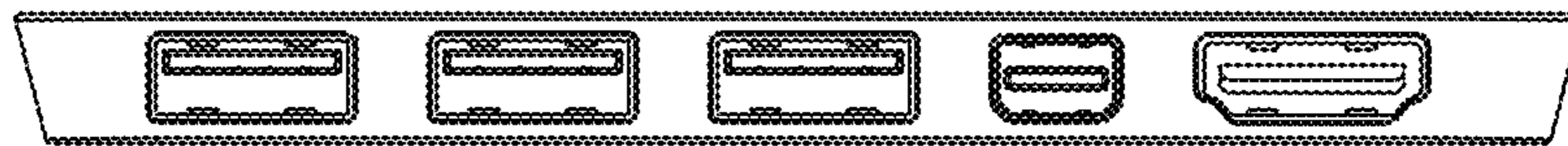


Fig 5

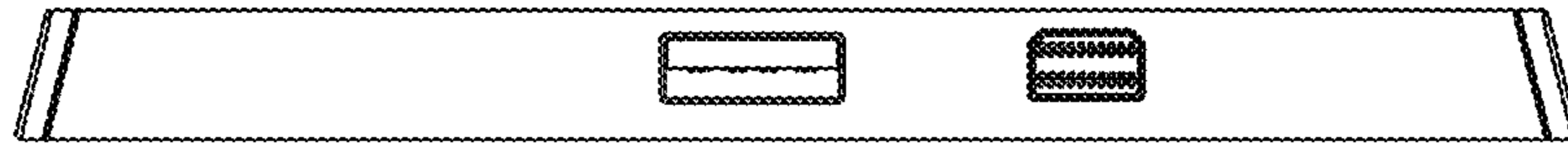


Fig 6

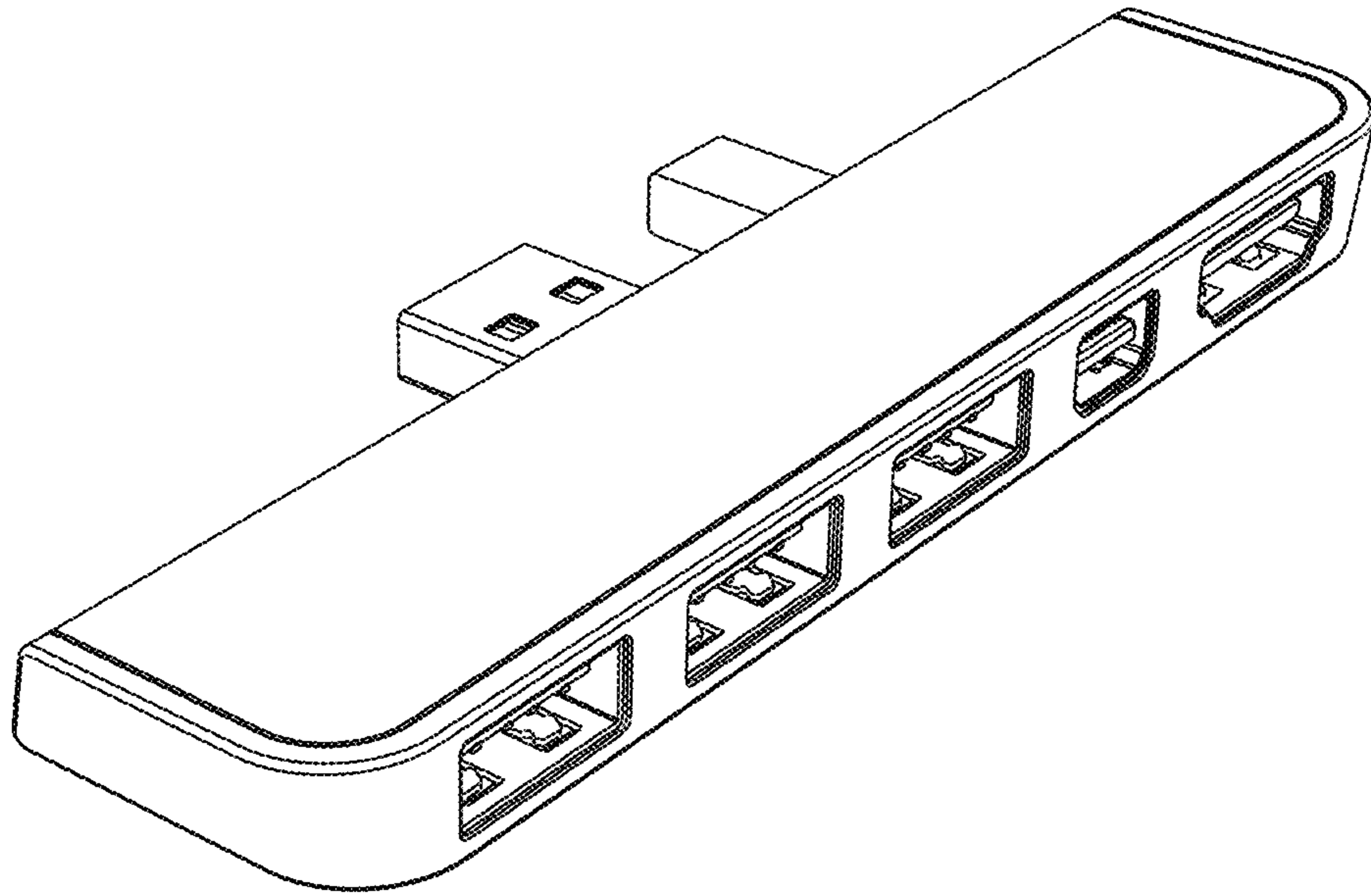


Fig 7